

US00D923622S

(12) **United States Design Patent** (10) **Patent No.:** **US D923,622 S**
Akana et al. (45) **Date of Patent:** **** Jun. 29, 2021**

(54) **WEARABLE DEVICE**

(71) Applicant: **Apple Inc.**, Cupertino, CA (US)

(72) Inventors: **Jody Akana**, San Francisco, CA (US); **Bartley K. Andre**, Palo Alto, CA (US); **Shota Aoyagi**, San Francisco, CA (US); **Anthony Michael Ashcroft**, San Francisco, CA (US); **Jeremy Bataillou**, San Francisco, CA (US); **Daniel J. Coster**, San Francisco, CA (US); **Daniele De Iuliis**, San Francisco, CA (US); **M. Evans Hankey**, San Francisco, CA (US); **Julian Hoenig**, San Francisco, CA (US); **Richard P. Howarth**, San Francisco, CA (US); **Jonathan P. Ive**, San Francisco, CA (US); **Duncan Robert Kerr**, San Francisco, CA (US); **Marc A. Newson**, London (GB); **Matthew Dean Rohrbach**, San Francisco, CA (US); **Peter Russell-Clarke**, San Francisco, CA (US); **Benjamin Andrew Shaffer**, San Jose, CA (US); **Mikael Silvanto**, San Francisco, CA (US); **Christopher J. Stringer**, Woodside, CA (US); **Eugene Antony Whang**, San Francisco, CA (US); **Rico Zörkendörfer**, San Francisco, CA (US)

(73) Assignee: **Apple Inc.**, Cupertino, CA (US)

(**) Term: **15 Years**

(21) Appl. No.: **29/733,250**

(22) Filed: **Apr. 30, 2020**

Related U.S. Application Data

(63) Continuation of application No. 29/662,900, filed on Sep. 10, 2018, now Pat. No. Des. 883,976, which is a continuation of application No. 29/615,074, filed on Aug. 25, 2017, now Pat. No. Des. 828,352, which is a continuation of application No. 29/583,454, filed on

Nov. 4, 2016, now Pat. No. Des. 795,864, which is a continuation of application No. 29/499,082, filed on Aug. 11, 2014, now Pat. No. Des. 771,036.

(51) **LOC (13) Cl.** **14-02**

(52) **U.S. Cl.**
USPC **D14/344**

(58) **Field of Classification Search**
USPC .. D14/138 R, 144, 341, 344, 358, 388, 218; D10/30-39, 70, 98; D11/3, 4, 26, 93-94, D11/78.1, 79, 86; D24/167, 169, D24/186-187, 164
CPC A41D 1/002; A41D 19/0034; G04G 17/00; G04G 17/02; G04G 17/08; G04G 17/083; G04G 17/086; G04C 3/00; G04C 3/001; G04C 3/002; G04C 3/004; G04C 3/005; G04C 3/007; G04C 17/00; G04C 23/02; G04C 23/04; G04B 3/04; G04B 19/24; G04B 19/26; G04B 37/00; G04B 45/0069; G04B 47/04; G04B 37/0008; G04B 37/0058; G04B 37/12; G04B 37/18; G04B 45/00; G04B 47/00; G04B 47/042; G04B 47/06; G04B 47/063
See application file for complete search history.

(56) **References Cited**

U.S. PATENT DOCUMENTS

795,308 A	7/1905	Anton
D73,647 S	10/1927	Dinstman
1,725,786 A	8/1929	Eklund
2,280,490 A	4/1942	Keltie
2,397,797 A	4/1946	Curto
2,420,435 A	5/1947	Lackow
D152,491 S	1/1949	Ostier
D175,630 S	9/1955	Joseph
3,030,686 A	4/1962	Burkhardt
3,609,963 A	10/1971	Minoru
3,640,065 A	2/1972	Lederrey et al.
3,665,565 A	5/1972	Kruger
3,675,284 A	7/1972	Rieth
D269,254 S	6/1983	Kishimoto
D287,471 S	12/1986	Sato et al.
D299,718 S	2/1989	Steer et al.
D303,635 S	9/1989	Kurzina et al.
D305,422 S	1/1990	Steer et al.
D305,743 S	1/1990	Hirsch



Sony, “SmartWatch,” < <http://www.sonymobile.com/us/products/accessories/smartwatch/>>, accessed Dec. 15, 2014.

Sony, “SmartWatch 3 SWR50,” < <http://www.sonymobile.com/us/products/smartwear/smartwatch-3-swr50/>>, accessed Dec. 15, 2014.

Stables, James, “Clevercare smartwatch aims to help Alzheimer’s suffers and carers: Revamped Sony SmartWatch 2 designed for users that need care,” Wearable News, <<http://www.wearable.com/wearable-tech/clevercare-smartwatch-aims-to-help-alzheimers-suffers-and-carers-585>>, dated Dec. 15, 2014.

Team Luxe, “Collector’s Edition: Hermes Carre H Watch,” Luxpresso, <<http://luxpresso.com/news-couture/collectors-edition-hermes-carre-h-watch/2814>>, dated Jan. 10, 2011, accessed Dec. 18, 2014.

Ted Baker, “Ted Baker Men’s TE1054 Time Flies Contemporary Square Digital Case Watch,” < <http://www.amazon.com/Ted-Baker-TE1054-Contemporary-Digital/dp/B0045CRTYO%3FSubscriptionId%3DAKIAJ3U4YRIBWCGGKZ2A%26tag%3Dfrases365-20%26linkCode%3Dsp1%26camp%3D2025%26creative%3D165953%26creativeASIN%3DB0045CRTYO>>, accessed Oct. 9, 2014.

“Timex Men’s Q7B808 Ironman Triathlon 30-Lap Resin 16mm Replacement Watchband” <http://www.amazon.com/Timex-Ironman-Triathlon-Replacement-Watchband/dp/B003OPZ5D0/ref=sr_1_1?s=apparel&ie=UTF8&qid=1416701895&sr=1-1&keywords=Timex+Men%27s+Q7B808+Ironman+Triathlon+30-Lap+Resin+16mm+Replacement+Watchband>, accessed Nov. 25, 2014.

Velazco, Chris, “ASUS ZenWatch review: subtle and stylish, with a few shortcomings,” Engadget.com, < <http://www.engadget.com/2014/12/11/asus-zenwatch-review/>>, dated Dec. 11, 2014, accessed Dec. 15, 2014.

WatchCat Online Shopping Mall, “PJS Seiko,” <http://m.watchcat.co.kr/board/product/read.html?board_no=4&no=27504>, dated Oct. 26, 2012, accessed Oct. 8, 2015.

WatchCat Online Shopping Mall, “PVD Zulu style Military Nylon band/strap,” <http://www.watchcat.kr/product/detail.html?product_no=5162&cate_no=642&display_group=1>, dated 2010, accessed Oct. 8, 2015.

Watches Infoniac.com, “Hermes Carre H Watch—Extremely Contemporary Design,” < <http://watches.infoniac.com/carre-h-watch-hermes.html>>, dated Aug. 13, 2010, accessed Dec. 18, 2014.

Watchismo, “Braun BN0042 Black Date Leather,” < <http://web.archive.org/web/20130815073830/http://www.watchismo.com/braun-bn0042bkbk.aspx>>, dated Aug. 15, 2013, accessed Dec. 18, 2014.

* cited by examiner

Primary Examiner — Sheryl Lane

Assistant Examiner — Calvin E Vansant

(74) *Attorney, Agent, or Firm* — Sterne, Kessler, Goldstein & Fox P.L.L.C.

(57)

CLAIM

The ornamental design for a wearable device, as shown and described.

DESCRIPTION

FIG. 1 is a front view of a wearable device showing the claimed design;

FIG. 2 is a rear view thereof;

FIG. 3 is a right side view thereof;

FIG. 4 is a left side view thereof;

FIG. 5 is a top view thereof; and,

FIG. 6 is a bottom view thereof.

The oblique shade lines in the figures show transparency or translucency.

The broken lines in the figures show portions of the wearable device that form no part of the claimed design.

1 Claim, 4 Drawing Sheets

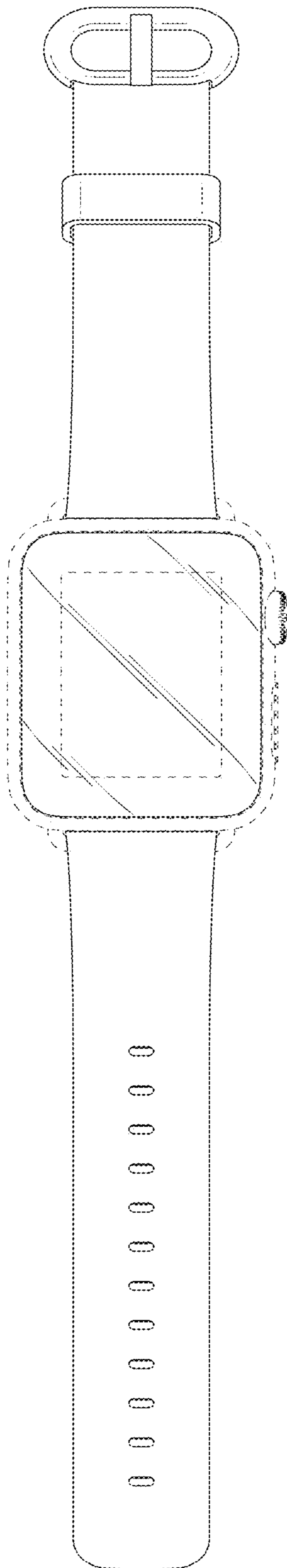


FIG. 1

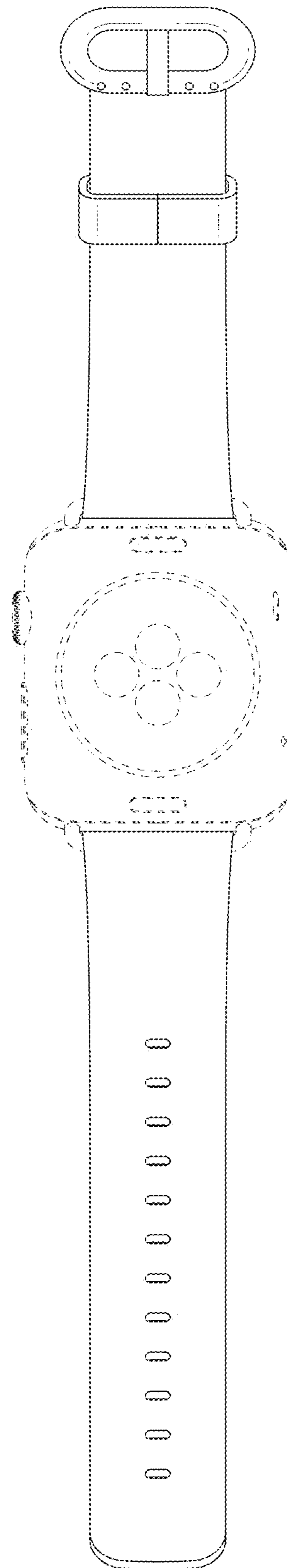


FIG. 2

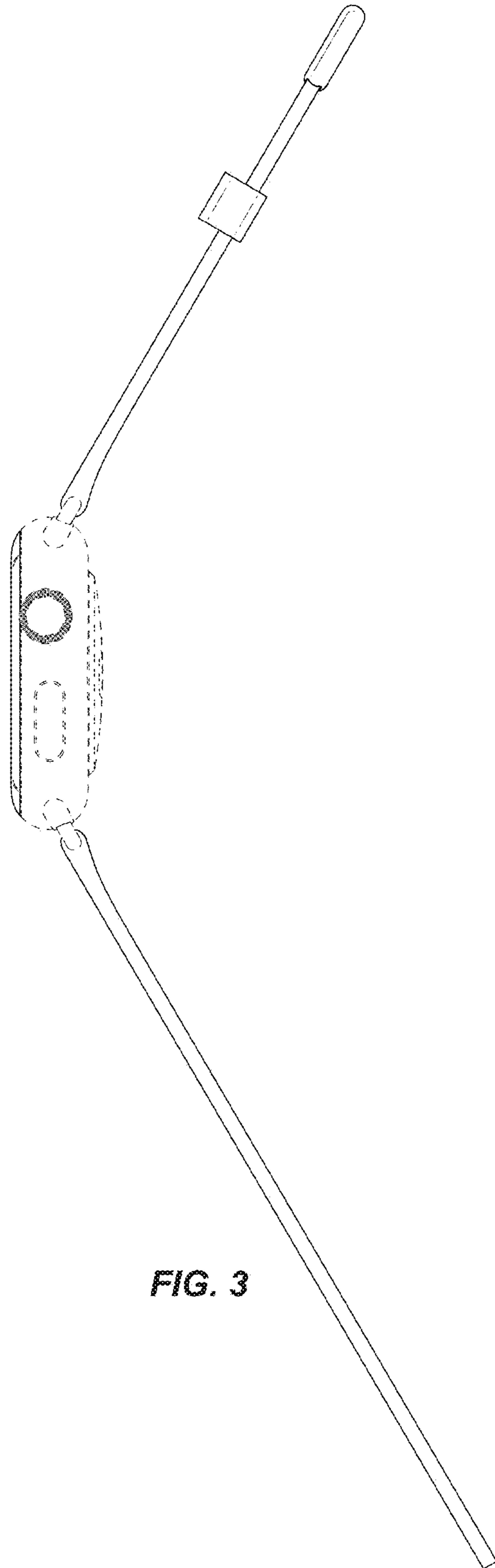


FIG. 3

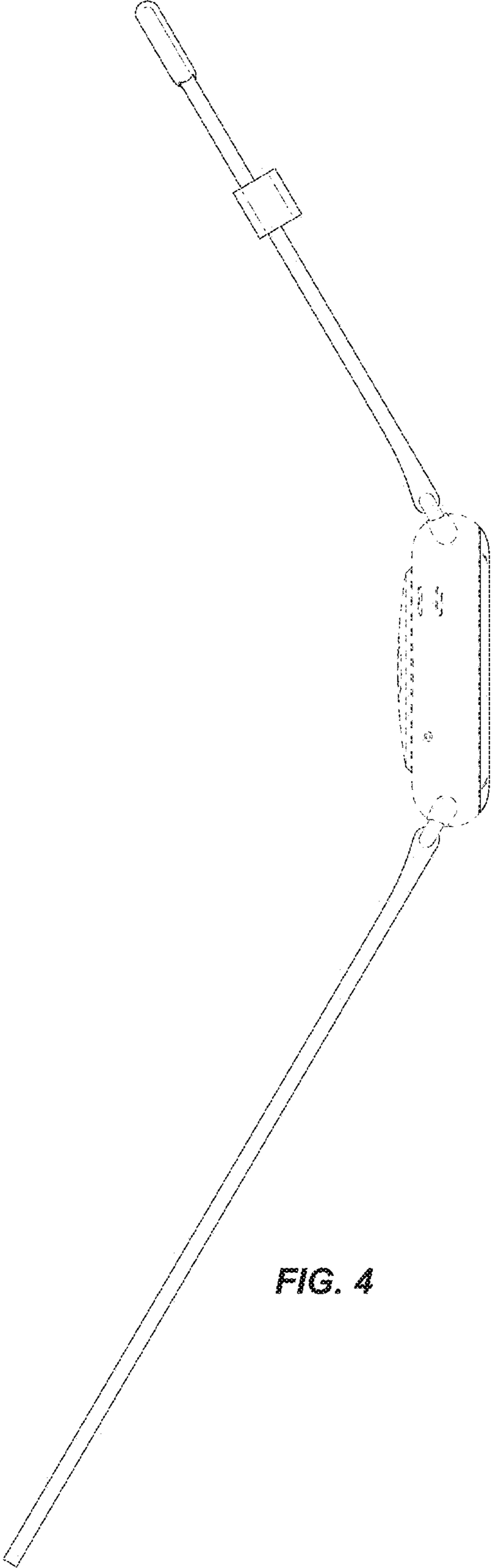


FIG. 4

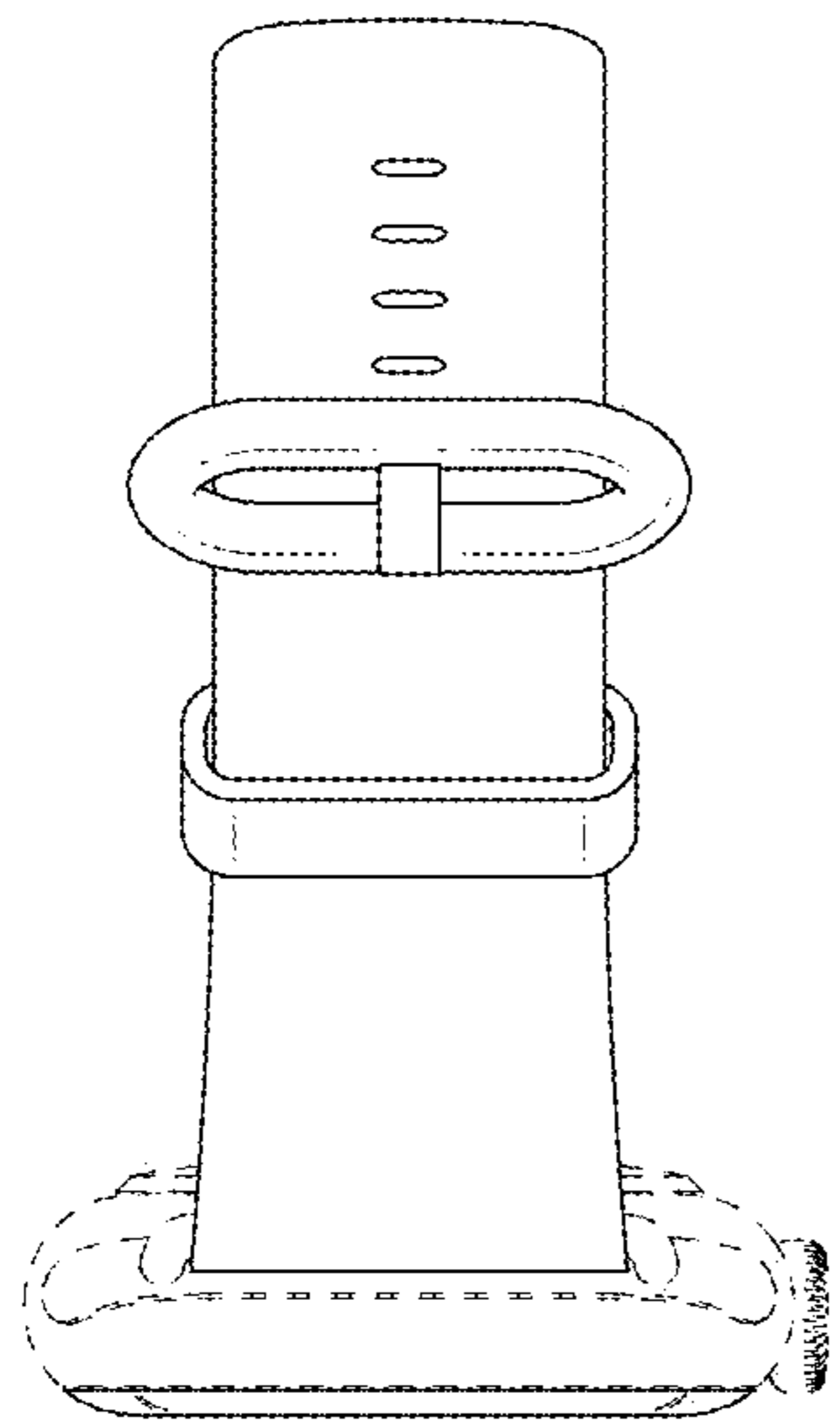


FIG. 5

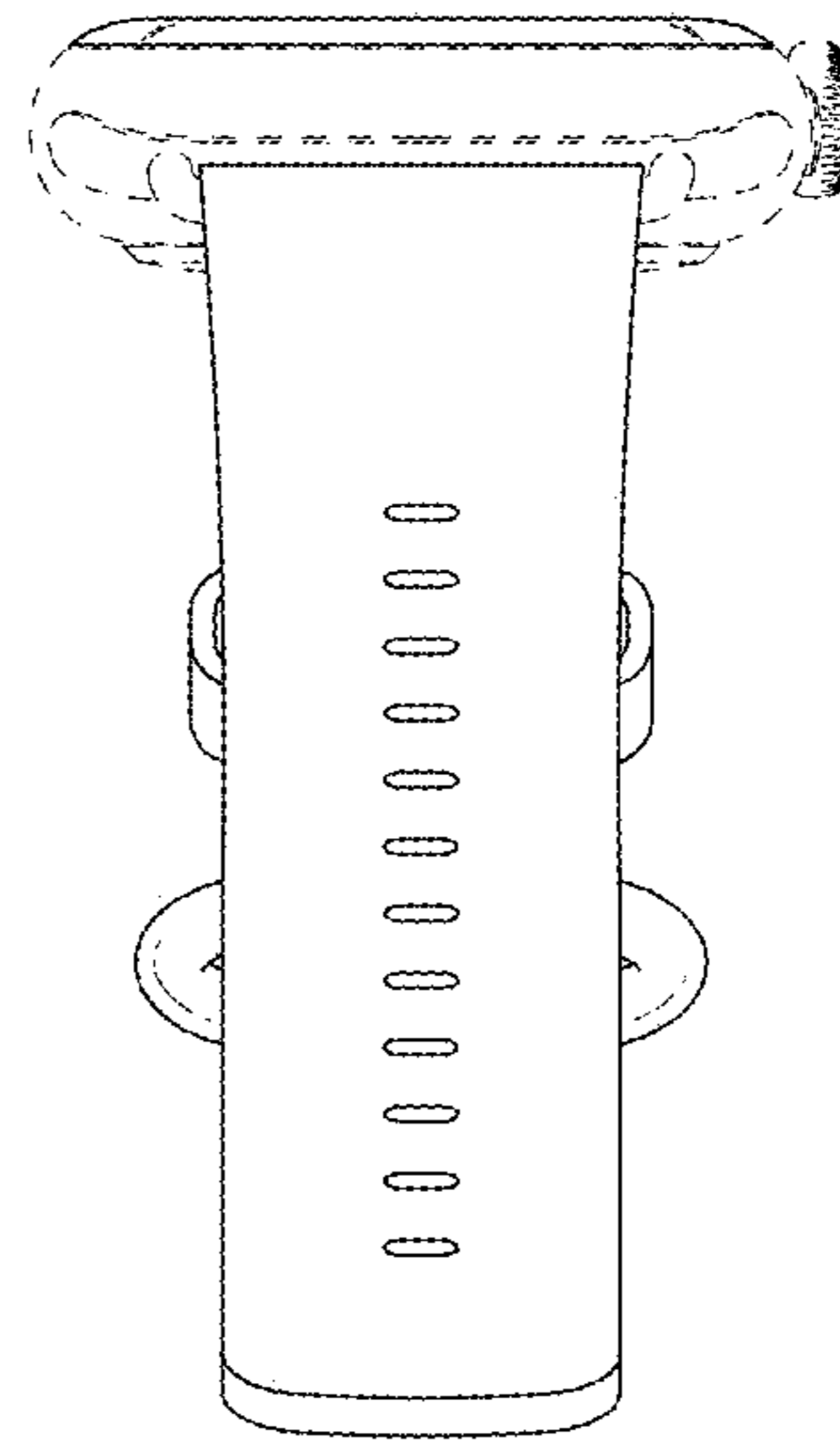


FIG. 6