



US00D923621S

(12) **United States Design Patent**  
**Akana et al.**

(10) **Patent No.:** **US D923,621 S**  
(45) **Date of Patent:** **\*\* Jun. 29, 2021**

(54) **WEARABLE DEVICE**

(71) Applicant: **Apple Inc.**, Cupertino, CA (US)

(72) Inventors: **Jody Akana**, San Francisco, CA (US);  
**Bartley K. Andre**, Palo Alto, CA (US);  
**Shota Aoyagi**, San Francisco, CA (US);  
**Anthony Michael Ashcroft**, San Francisco, CA (US);  
**Jeremy Bataillou**, San Francisco, CA (US);  
**Daniel J. Coster**, San Francisco, CA (US);  
**Daniele De Iuliis**, San Francisco, CA (US);  
**M. Evans Hankey**, San Francisco, CA (US);  
**Julian Hoenig**, San Francisco, CA (US);  
**Richard P. Howarth**, San Francisco, CA (US);  
**Jonathan P. Ive**, San Francisco, CA (US);  
**Duncan Robert Kerr**, San Francisco, CA (US);  
**Marc A. Newson**, London (GB);  
**Matthew Dean Rohrbach**, San Francisco, CA (US);  
**Peter Russell-Clarke**, San Francisco, CA (US);  
**Benjamin Andrew Shaffer**, San Jose, CA (US);  
**Mikael Silvano**, San Francisco, CA (US);  
**Christopher J. Stringer**, Woodside, CA (US);  
**Eugene Antony Whang**, San Francisco, CA (US);  
**Rico Zörkendörfer**, San Francisco, CA (US)

(73) Assignee: **Apple Inc.**, Cupertino, CA (US)

(\*\*) Term: **15 Years**

(21) Appl. No.: **29/673,642**

(22) Filed: **Dec. 17, 2018**

**Related U.S. Application Data**

(63) Continuation of application No. 29/629,981, filed on Dec. 18, 2017, now Pat. No. Des. 836,102, which is (Continued)

(51) **LOC (13) Cl.** ..... **14-02**

(52) **U.S. Cl.**

USPC ..... **D14/344**

(58) **Field of Classification Search**

USPC ... D14/138 R, 144, 341, 344, 358, 388, 218, D14/485–495; D10/30–39, 70, 98;  
(Continued)

(56) **References Cited**

**U.S. PATENT DOCUMENTS**

482,289 A 9/1892 Ziegler  
505,473 A 9/1893 Mehring  
(Continued)

**FOREIGN PATENT DOCUMENTS**

CN 303590256 2/2016  
DE 20319858 U1 4/2004  
(Continued)

**OTHER PUBLICATIONS**

etsy.com, “1 Set Silver End Cap Clasp—Findings Large Toggle Clasp End Caps Buckle Connector with Five Inside Loops for Jewelry Making 26mm,” <<http://www.etsy.com/listing/101269004/1-set-silver-end-cap-clasp-findings?ref=market>>, Listed on Aug. 29, 2014, accessed Oct. 9, 2014.

(Continued)

*Primary Examiner* — Sheryl Lane

*Assistant Examiner* — Calvin E Vansant

(74) *Attorney, Agent, or Firm* — Sterne, Kessler, Goldstein & Fox P.L.L.C.

(57) **CLAIM**

The ornamental design for a wearable device, as shown and described.

**DESCRIPTION**

FIG. 1 is a front perspective view of a wearable device showing the claimed design;

FIG. 2 is a rear perspective view thereof;

(Continued)

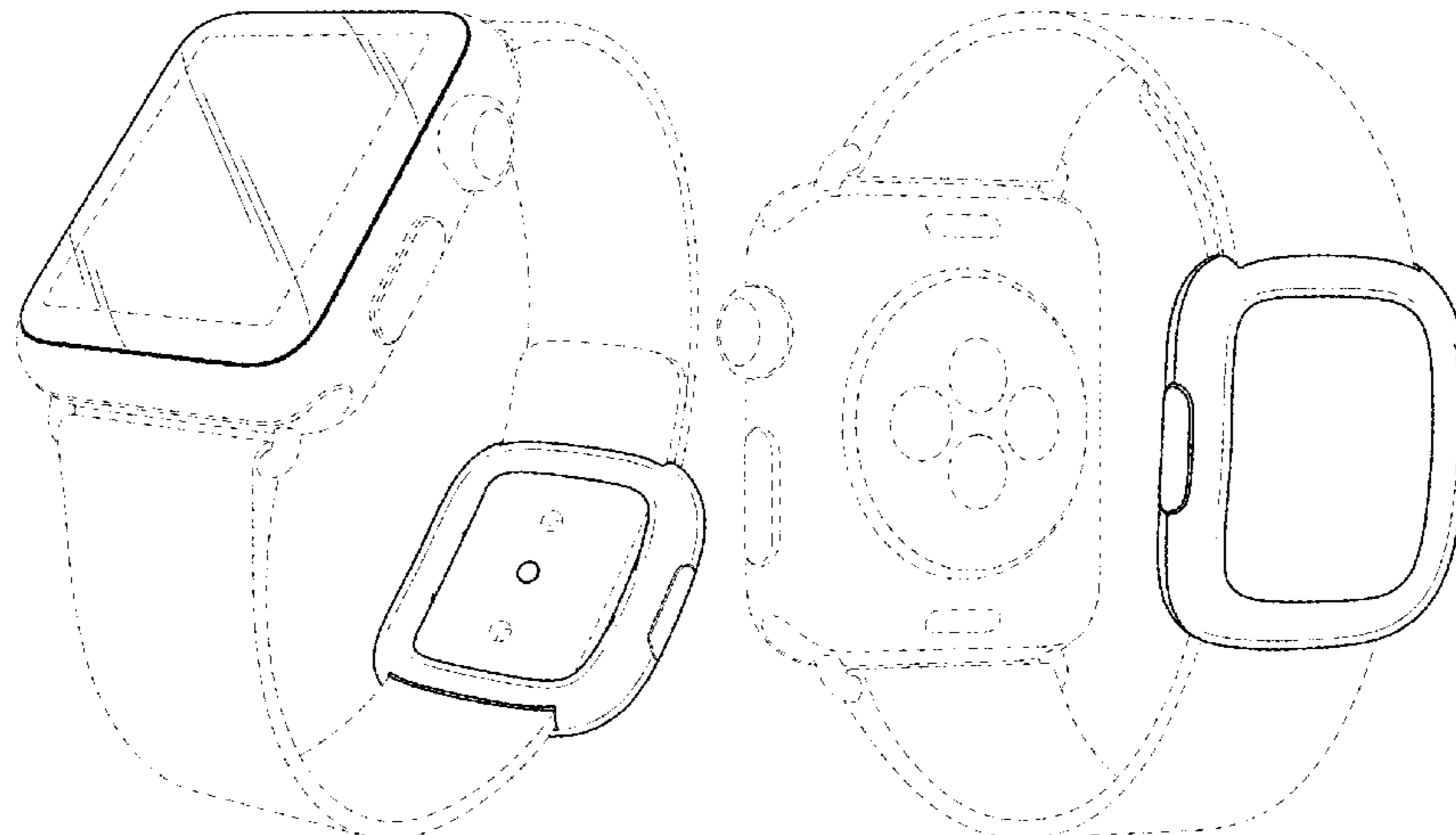


FIG. 3 is a front view thereof;  
 FIG. 4 is a rear view thereof;  
 FIG. 5 is a right side view thereof;  
 FIG. 6 is a left side view thereof;  
 FIG. 7 is a bottom view thereof; and,  
 FIG. 8 is a top view thereof.  
 The broken lines in the figures show portions of the wearable device that form no part of the claimed design.

**1 Claim, 6 Drawing Sheets**

**Related U.S. Application Data**

a continuation of application No. 29/583,415, filed on Nov. 4, 2016, now Pat. No. Des. 805,513, which is a continuation of application No. 29/519,678, filed on Mar. 6, 2015, now Pat. No. Des. 771,037.

(58) **Field of Classification Search**

USPC ..... D11/3, 4, 26, 93–94, 78.1, 79, 86;  
 D24/167, 169, 186–187, 164  
 CPC ..... A41D 1/002; A41D 19/0034; G06F 1/04;  
 G06F 1/08; G06F 1/10; G06F 1/14; G06F  
 1/1626; G06F 1/1628; G06F 1/163; G06F  
 1/1635; G06F 1/3203; G06Q 20/10;  
 G06Q 20/12; G06Q 20/108; G06Q  
 20/145; H04B 1/3833; H04B 1/385;  
 H04B 1/3888; H04M 1/02; H04M 1/03;  
 H04M 1/04; H04M 1/05; H04M 1/667;  
 H04M 1/6058; Y02B 60/1217

See application file for complete search history.

(56) **References Cited**

U.S. PATENT DOCUMENTS

1,712,734	A	5/1929	Kraemer	
2,280,490	A	4/1942	Keltie	
D163,987	S	7/1951	Barre	
3,030,686	A	4/1962	Burkhardt	
3,665,565	A	5/1972	Kruger	
3,675,284	A	7/1972	Rieth	
4,470,174	A	9/1984	Rhea	
D320,566	S	10/1991	Ericson	
5,363,351	A	11/1994	Carney	
D441,305	S	5/2001	Modolo	
D473,818	S	4/2003	Salvisberg	
D494,098	S	8/2004	Cohen	
7,293,383	B2	11/2007	Fishman et al.	
D564,367	S	3/2008	Molyneux	
D566,580	S	4/2008	Giorgio	
7,406,789	B2	8/2008	Story	
D589,376	S *	3/2009	Tang	D10/32
7,591,581	B2	9/2009	Lovegrove et al.	
D628,510	S	12/2010	Maier	
8,601,784	B2	12/2013	Kaltenrieder	
D699,143	S	2/2014	Xu	
D711,002	S	8/2014	Ohnemus et al.	
D718,170	S	11/2014	Aumiller et al.	
D724,469	S	3/2015	Akana et al.	
D727,197	S	4/2015	Akana et al.	
D727,198	S	4/2015	Akana et al.	
D727,199	S	4/2015	Akana et al.	
D727,787	S	4/2015	Akana et al.	
D729,079	S	5/2015	Phillips et al.	
D732,416	S	6/2015	Akana et al.	
D737,159	S	8/2015	Akana et al.	
D741,726	S *	10/2015	Akana	D10/30

D757,819	S *	5/2016	Akana	D14/496
D759,725	S *	6/2016	Akana	D14/496
D770,533	S	11/2016	Akana et al.	
D771,035	S	11/2016	Akana et al.	
D771,037	S	11/2016	Akana et al.	
D780,059	S	2/2017	Akana et al.	
D780,740	S *	3/2017	Kim	D14/250
D782,358	S *	3/2017	Akana	D11/94
D798,760	S *	10/2017	Akana	D11/3
D798,905	S *	10/2017	Akana	D14/496
D802,151	S *	11/2017	Bagatar	D24/186
D805,513	S *	12/2017	Akana	D14/344
D809,510	S *	2/2018	Rochat	D14/344
D816,522	S *	5/2018	Zhou	D10/70
D822,525	S *	7/2018	Akana	D11/3
10,064,458	B2 *	9/2018	Griffin, II	A44C 5/0053
D836,102	S *	12/2018	Akana	D14/344
10,149,518	B1 *	12/2018	de Iuliis	A44C 5/0007
10,162,446	B2 *	12/2018	Kuboyama	G06F 3/0414
10,318,958	B2 *	6/2019	Kim	G06F 3/0414
D856,160	S *	8/2019	Yu	D10/32
10,474,192	B2 *	11/2019	Song	H02J 50/10
2014/0096345	A1	4/2014	Tschumi	
2014/0098649	A1	4/2014	Tschumi	
2015/0164189	A1 *	6/2015	Wilson	A44C 5/14 224/164
2016/0357413	A1 *	12/2016	Block	G06F 3/0482
2017/0046451	A1 *	2/2017	Akana	G06F 30/00

FOREIGN PATENT DOCUMENTS

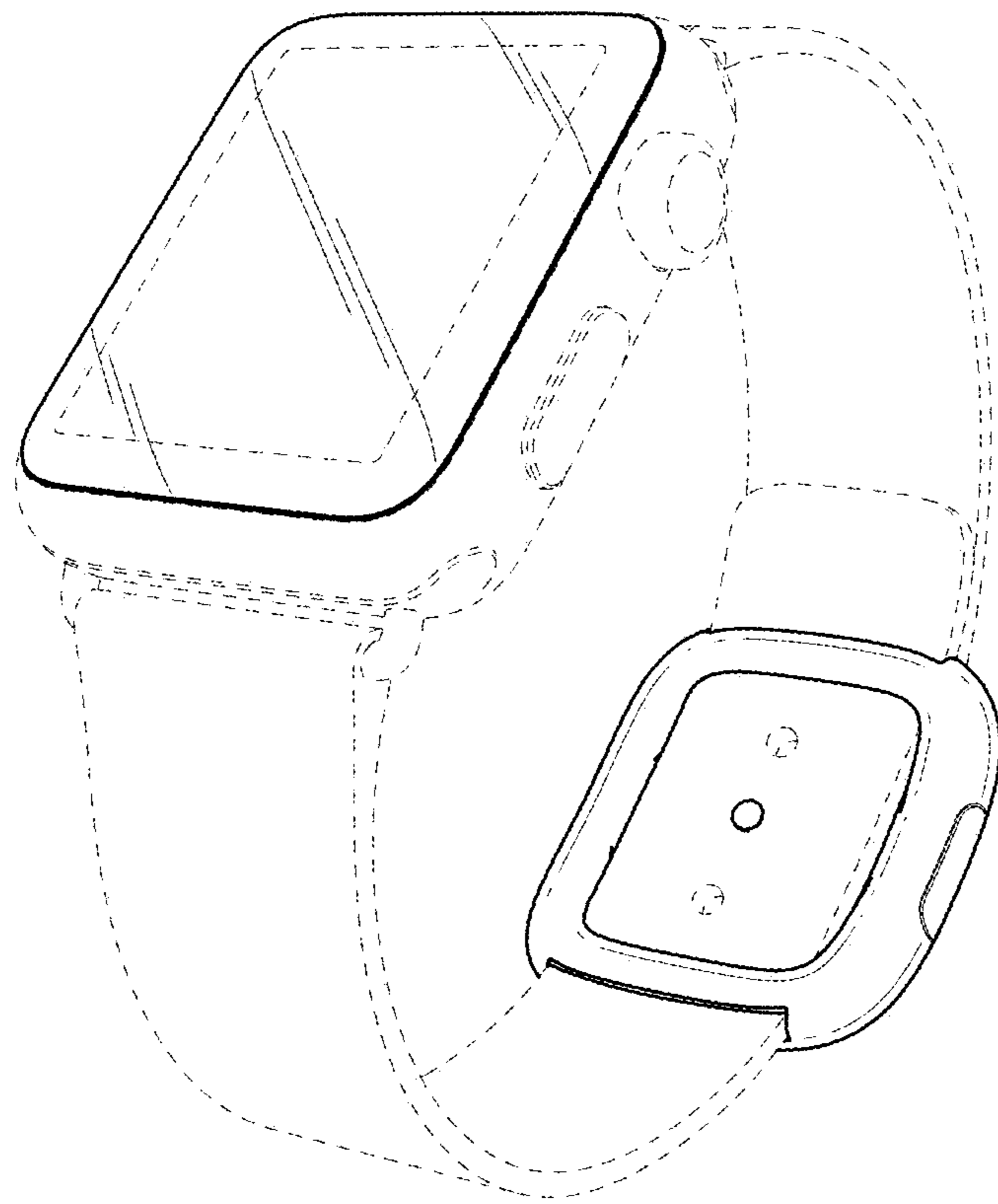
EM	002297770-0003	6/2013
EP	2636328 A1	9/2013
GB	618917 A	3/1949
GB	2082277	6/1999
GB	2088761	2/2000
JP	H08336406 A	12/1996
JP	D1140196	4/2002
JP	D1263841	2/2006
JP	D1279761	8/2006
JP	D1296110	3/2007
JP	D1380179	2/2010
JP	D1494268	4/2014
JP	D1511746	11/2014
WO	WO-DM/012262-001	1/1989
WO	WO-2013182397 A1	12/2013

OTHER PUBLICATIONS

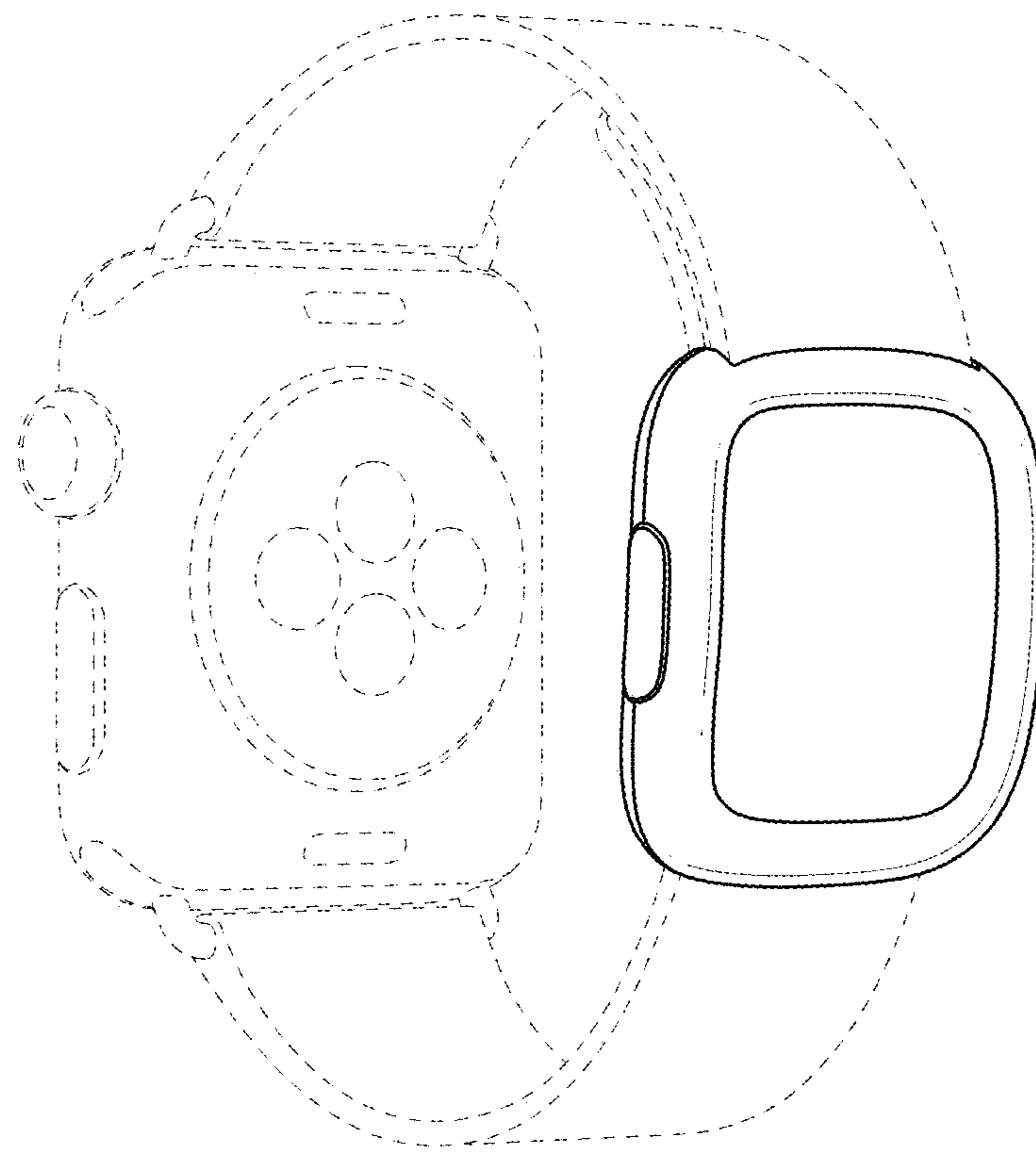
Metawatch, “FRAME—Black (MW3005),” < <http://meta.watch/collections/smartwatch-all/products/frame-ss-black-leather>>, accessed Dec. 15, 2014.  
 [Online] < <http://everydaydigitals.com/heres-what-i-think/21/apples-wearable-device-will-be-more-nike-fuel-band-than-pebble-watch>> Retrieved on Dec. 25, 2014.  
 [Online] [http://i.ytimg.com/vi/Ab\\_oapZ8GpM/maxresdefault.jpg](http://i.ytimg.com/vi/Ab_oapZ8GpM/maxresdefault.jpg), accessed on Mar. 30, 2015.  
 [Online] < <https://www.dezeen.com/2014/09/09/apple-watch-unveiled/>> posted online Sep. 9, 2014, Retrieved on Dec. 11, 2016.  
 [Online] <http://ttb.thetechblock.netdna-cdn.com/wp-content/uploads/2014/09/apple-watch-31.jpg>, accessed on Mar. 30, 2015.  
 [Online] < <http://www.computerworlduk.com/slideshow/mobile-wireless/3573389/the-many-looks-of-the-apple-watch/6/#content>> Retrieved on Dec. 25, 2014.  
 Pebble, “Pebble Smartwatch,” [getpebble.com](http://getpebble.com/checkout), < <https://getpebble.com/checkout>>, accessed Dec. 15, 2014.  
 Velazco, Chris, “ASUS ZenWatch review: subtle and stylish, with a few shortcomings,” Engadget.com, < <http://www.engadget.com/2014/12/11/asus-zenwatch-review/>>, dated Dec. 11, 2014, accessed Dec. 15, 2014.

\* cited by examiner

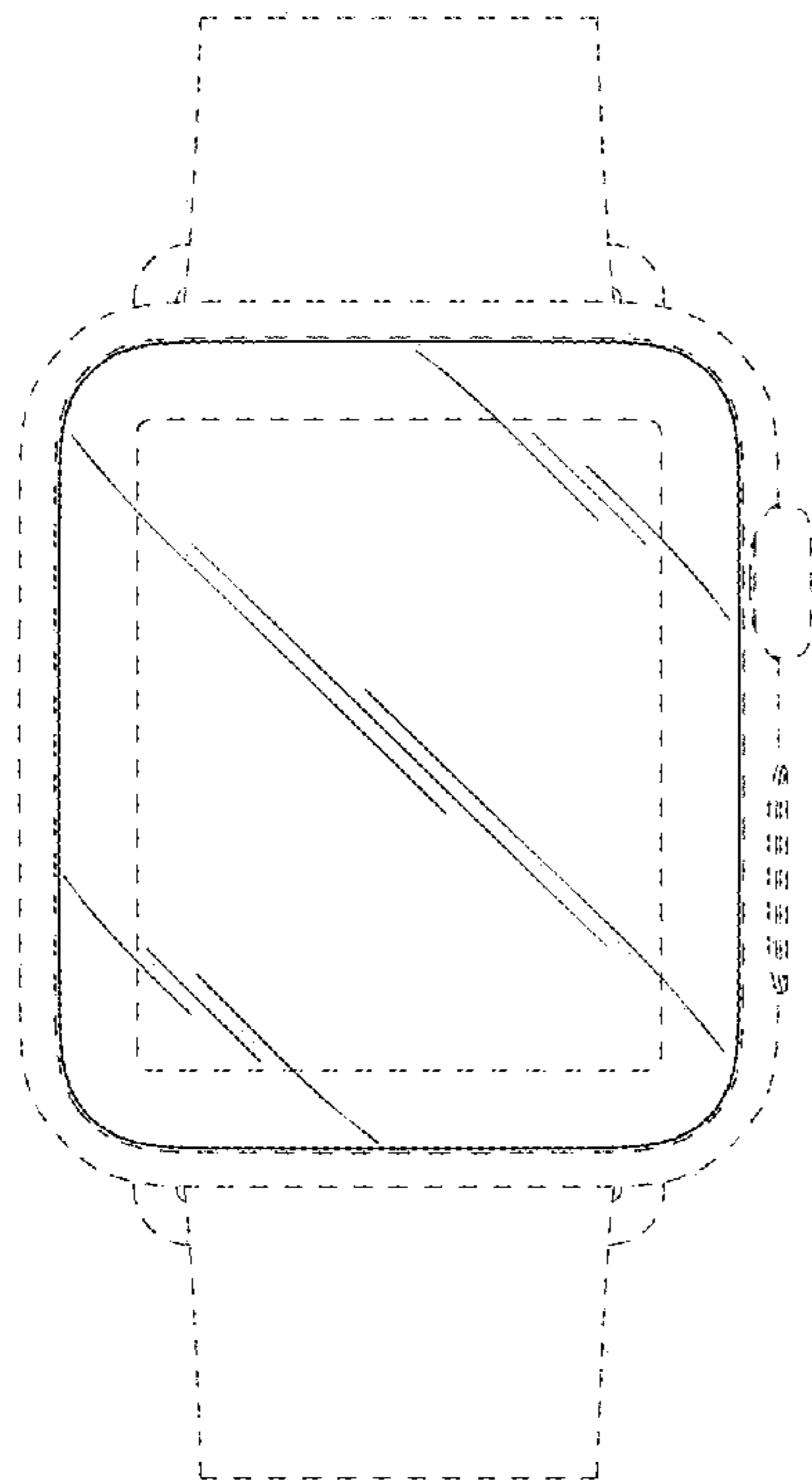




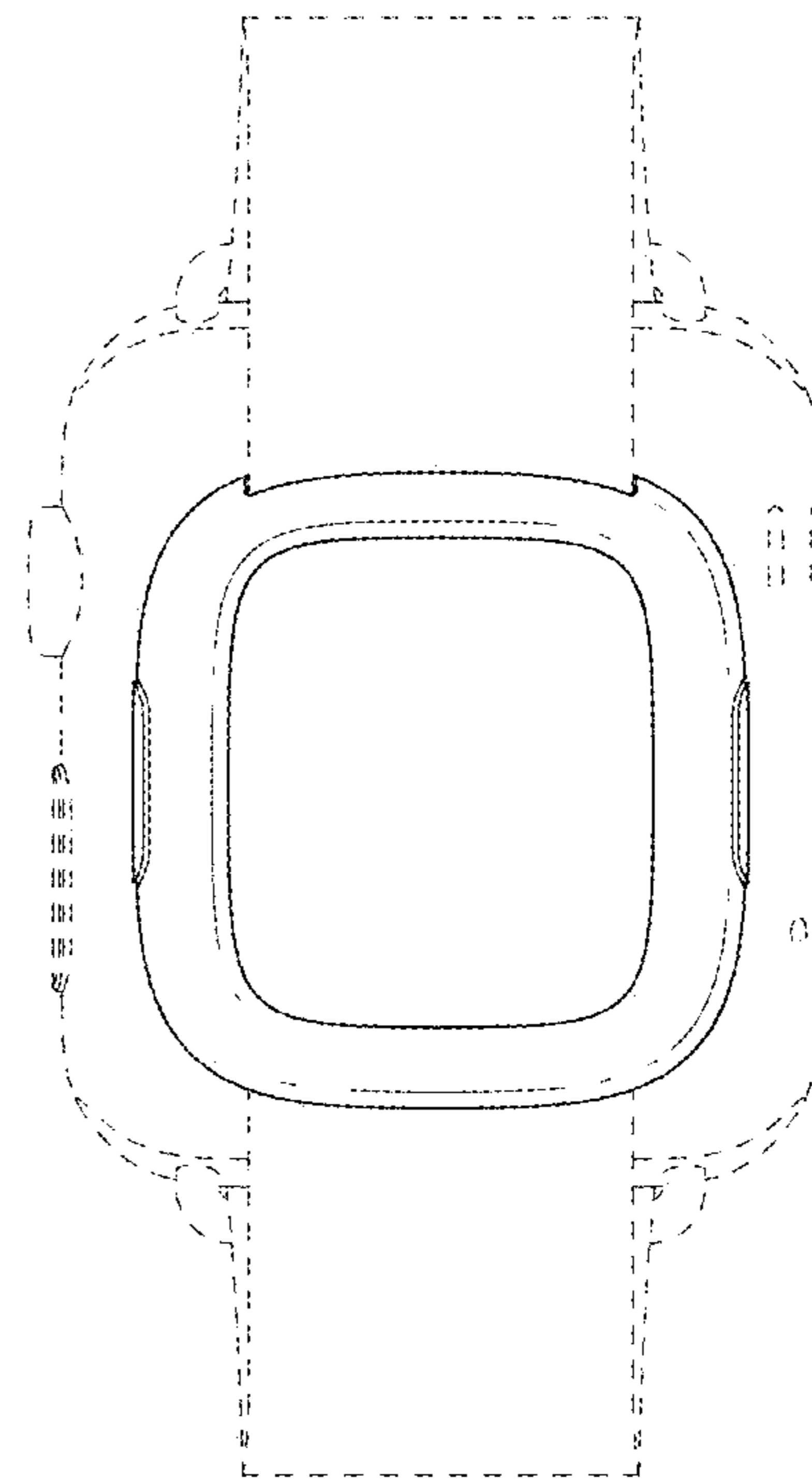
**FIG. 1**



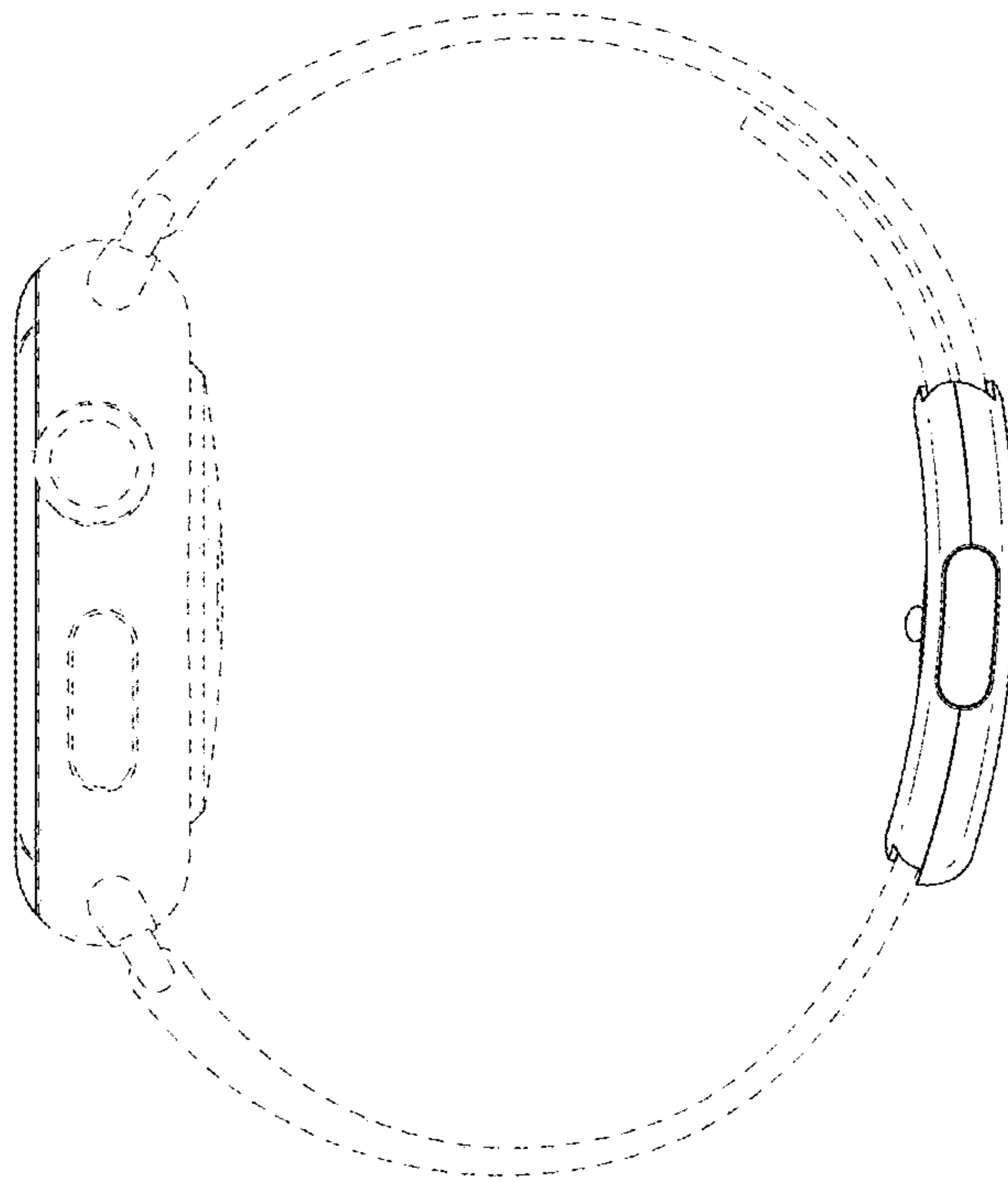
**FIG. 2**



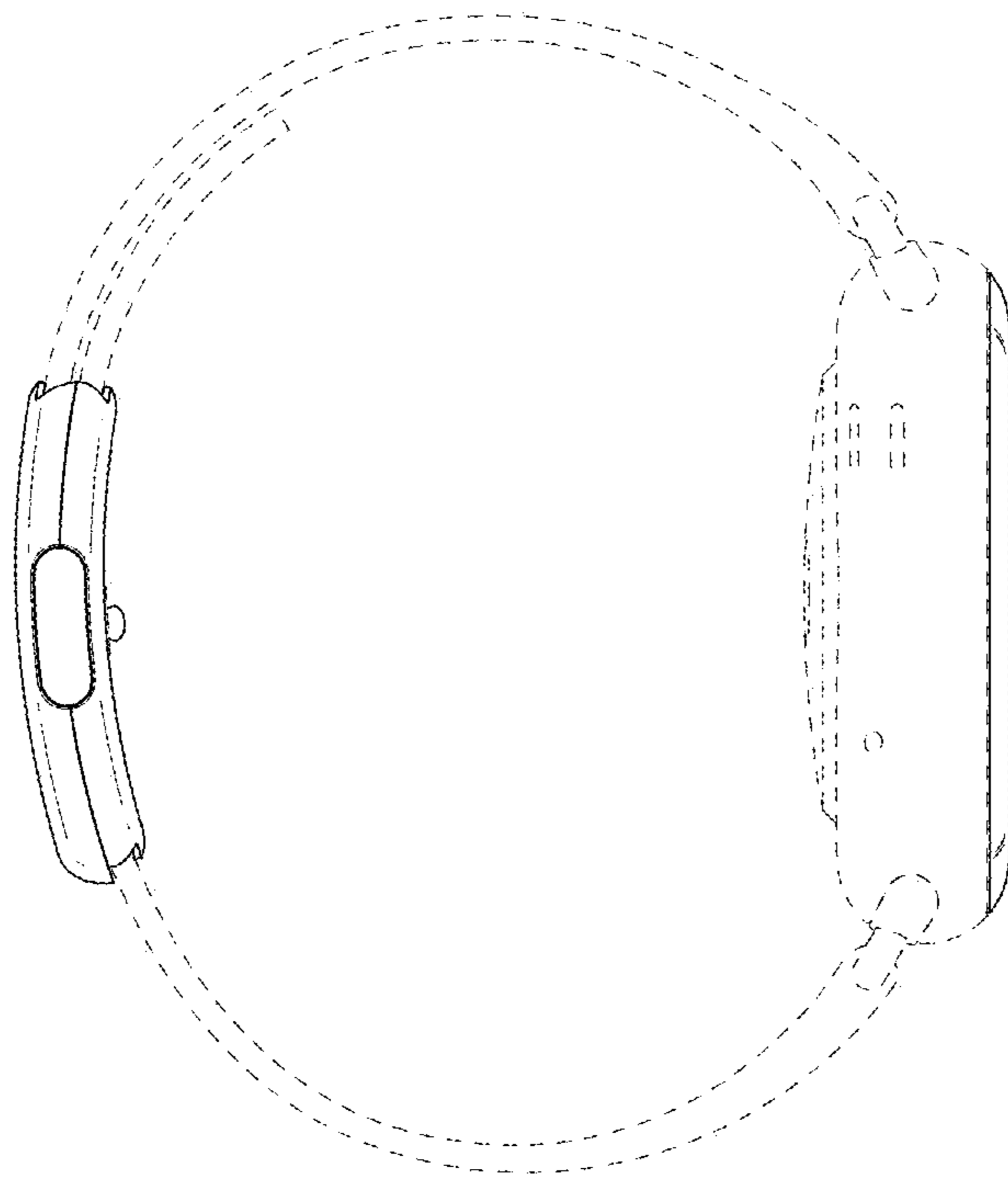
**FIG. 3**



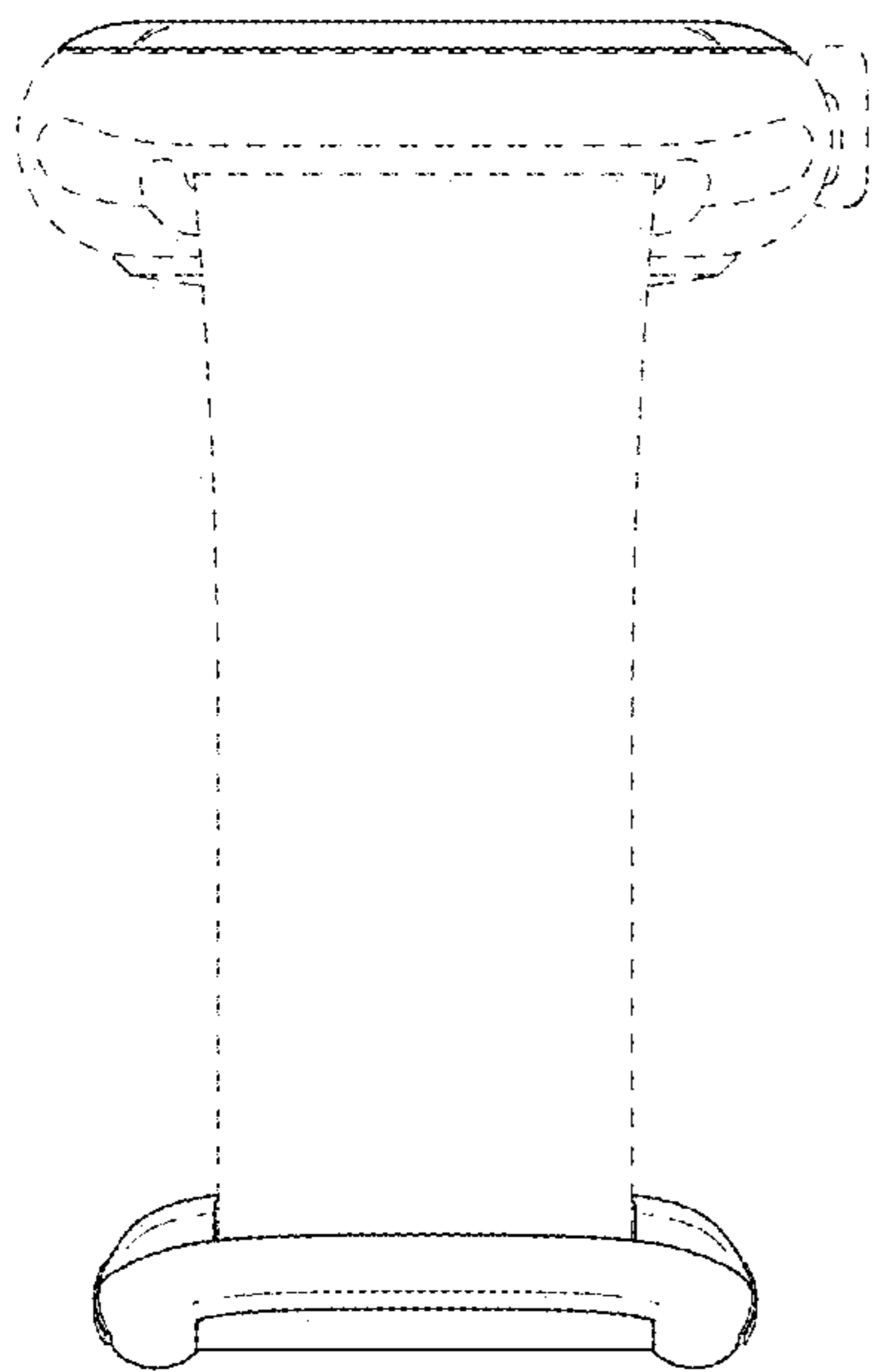
**FIG. 4**



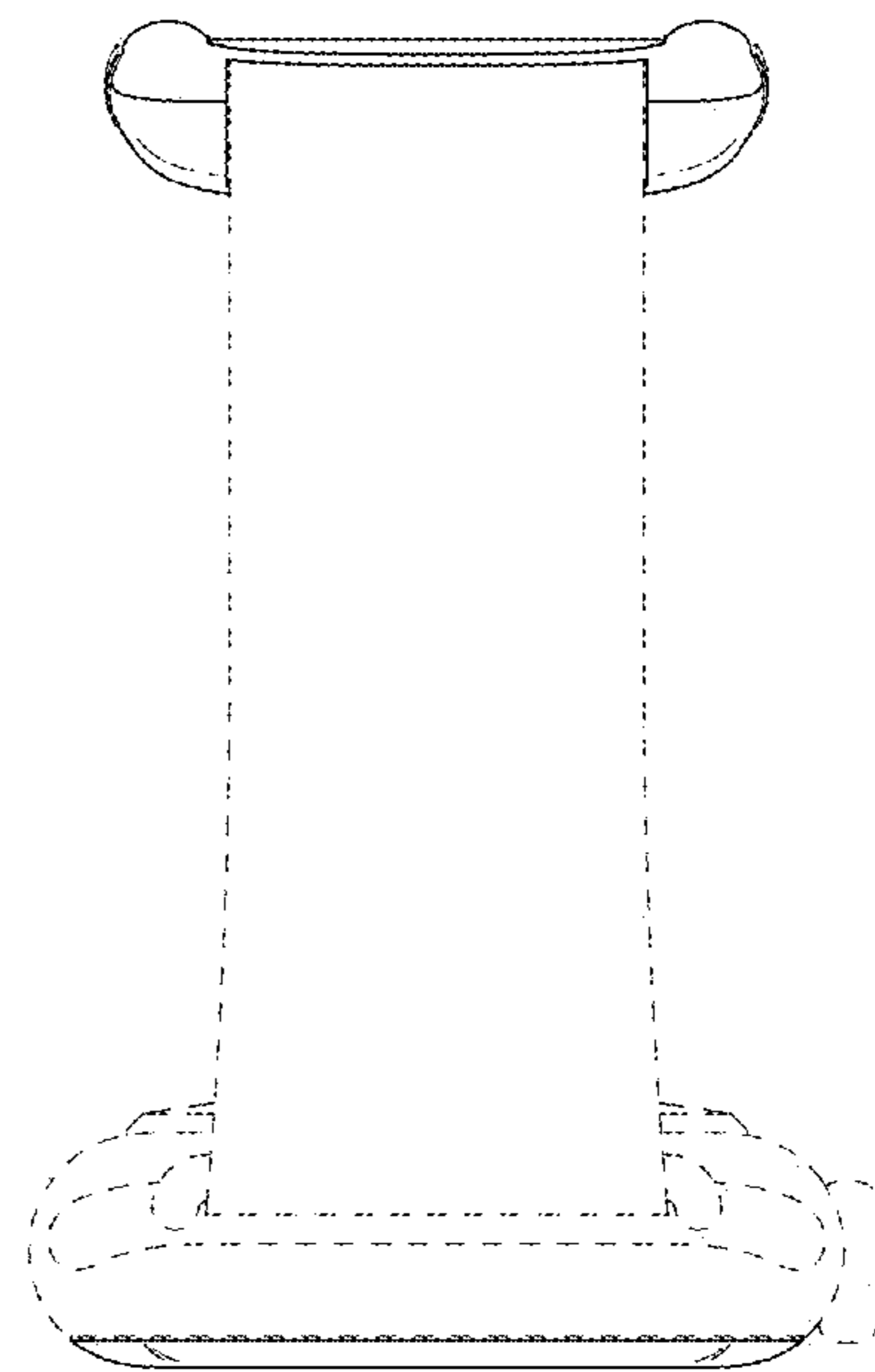
**FIG. 5**



**FIG. 6**



**FIG. 7**



**FIG. 8**