



US00D923619S

(12) **United States Design Patent** (10) **Patent No.:** **US D923,619 S**  
**Matsumoto et al.** (45) **Date of Patent:** **\*\* Jun. 29, 2021**

(54) **ELECTRONIC DEVICE**  
(71) Applicant: **Amazon Technologies, Inc.**, Seattle, WA (US)  
(72) Inventors: **Ipppei Matsumoto**, Daly City, CA (US); **Tim Wall**, Mill Valley, CA (US)  
(73) Assignee: **Amazon Technologies, Inc.**, Seattle, WA (US)

D843,368 S \* 3/2019 Fan ..... D14/341  
D869,460 S \* 12/2019 Andre ..... D14/341  
D870,100 S \* 12/2019 Li ..... D14/341  
D873,265 S \* 1/2020 Wall ..... D14/341  
D878,363 S \* 3/2020 Zhai ..... D14/341  
D879,772 S \* 3/2020 Wall ..... D14/341  
D908,692 S \* 1/2021 Biddle ..... D14/341  
D908,693 S \* 1/2021 Biddle ..... D14/341  
D910,615 S \* 2/2021 Wall ..... D14/341  
2011/0070929 A1 \* 3/2011 Li ..... H04B 1/3816  
455/575.1

(\*\*) Term: **15 Years**

**OTHER PUBLICATIONS**

(21) Appl. No.: **29/710,351**

Chinese Office Action dated Jul. 27, 2020 for Chinese Patent Application No. 202030166014.7, a counterpart of U.S. Appl. No. 29/710,351, 1 page.

(22) Filed: **Oct. 22, 2019**

(51) **LOC (13) Cl.** ..... **14-02**

\* cited by examiner

(52) **U.S. Cl.**  
USPC ..... **D14/341**

*Primary Examiner* — Cynthia R Underwood  
(74) *Attorney, Agent, or Firm* — Lee & Hayes, P.C.

(58) **Field of Classification Search**  
USPC .... D14/440, 447, 250, 341, 300; 206/45.23, 206/320, 45.2; 361/679.55; 294/25; 224/218  
CPC ..... G06F 1/1628; G06F 1/1626; G06F 1/699; A47B 23/044; H04B 1/3888  
See application file for complete search history.

(57) **CLAIM**

The ornamental design for an electronic device, as shown and described.

(56) **References Cited**

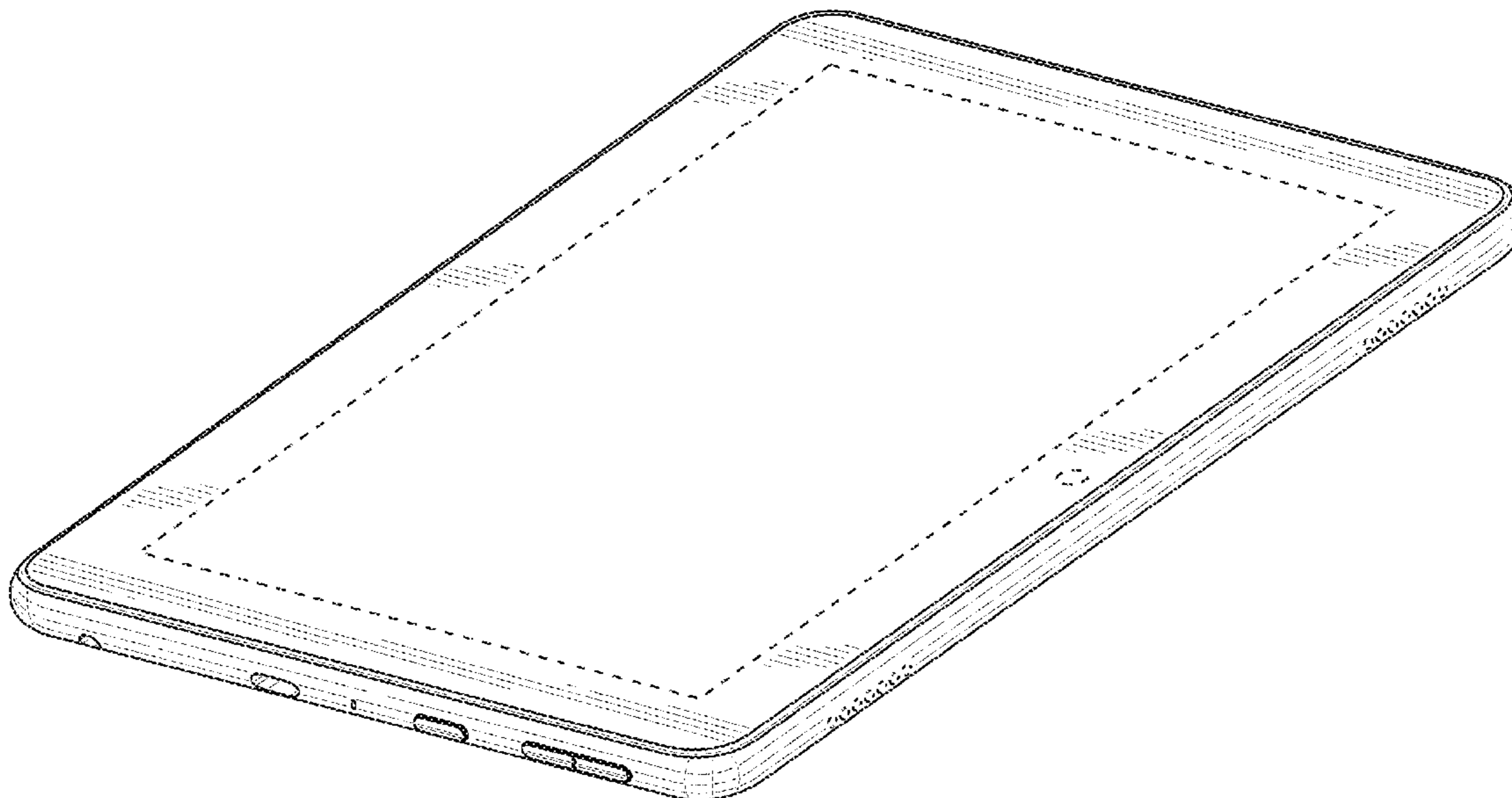
**DESCRIPTION**

**U.S. PATENT DOCUMENTS**

D636,769 S \* 4/2011 Wood ..... D14/341  
D654,074 S \* 2/2012 Wood ..... D14/341  
D680,524 S \* 4/2013 Feng ..... D14/341  
D684,969 S \* 6/2013 Smith ..... D14/341  
D738,341 S \* 9/2015 Choi ..... D14/138 G  
D750,621 S \* 3/2016 Looor Canizares ..... D14/341  
D786,238 S \* 5/2017 Roberts ..... D14/341  
D795,249 S \* 8/2017 Wall ..... D14/341  
D822,015 S \* 7/2018 Biddle ..... D14/341  
D825,555 S \* 8/2018 Lee ..... D14/341  
D835,097 S \* 12/2018 Morgan ..... D14/341  
D839,266 S \* 1/2019 Chang ..... D14/341

FIG. 1 is a front perspective view of a first embodiment of an electronic device;  
FIG. 2 is a back perspective view thereof;  
FIG. 3 is a front view thereof;  
FIG. 4 is a back view thereof;  
FIG. 5 is a left-side view thereof;  
FIG. 6 is a right-side view thereof;  
FIG. 7 is a top view thereof; and,  
FIG. 8 is a bottom view thereof.  
The dashed broken lines depict portions of the electronic device that form no part of the claimed design.

**1 Claim, 8 Drawing Sheets**



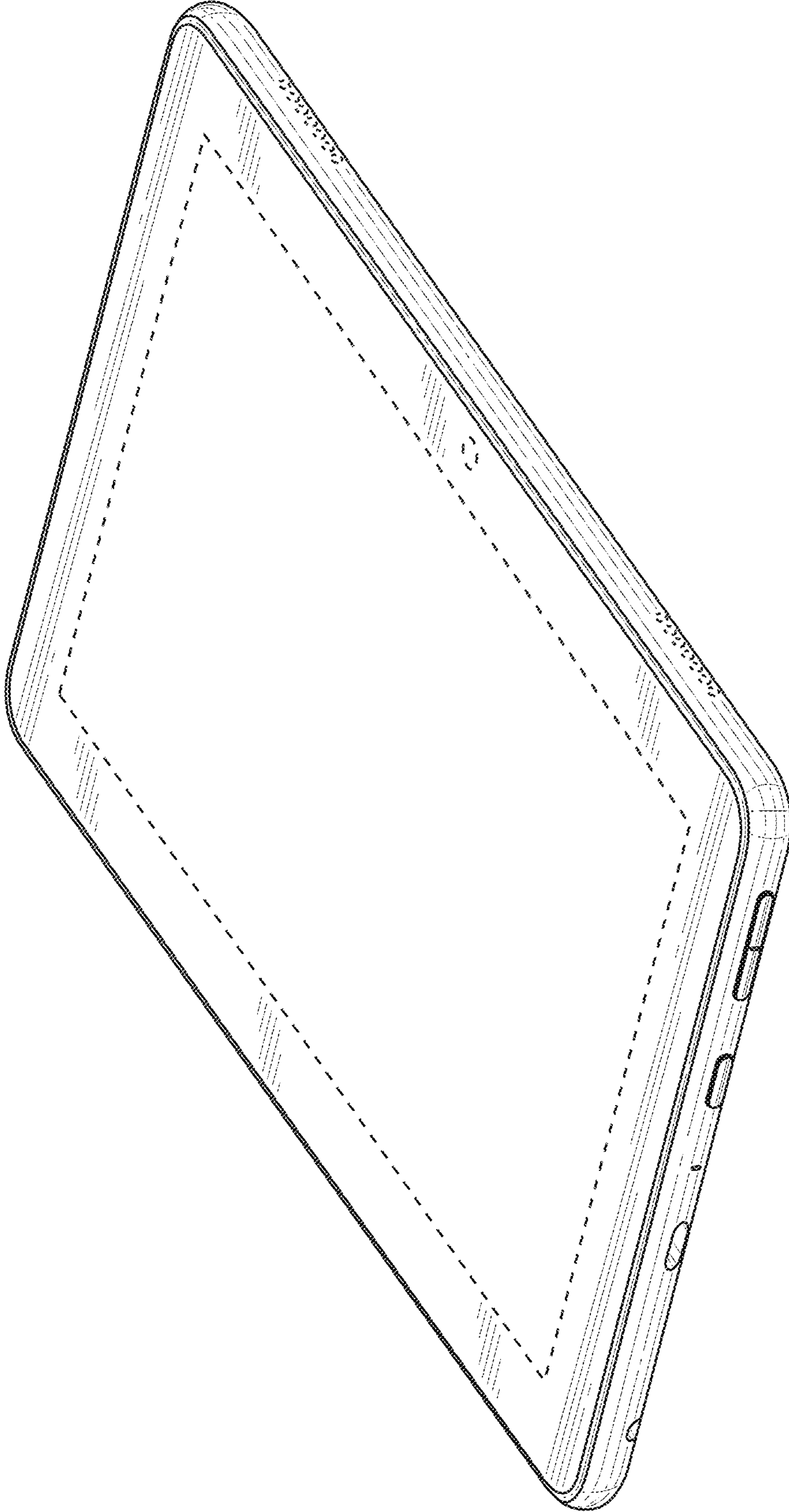
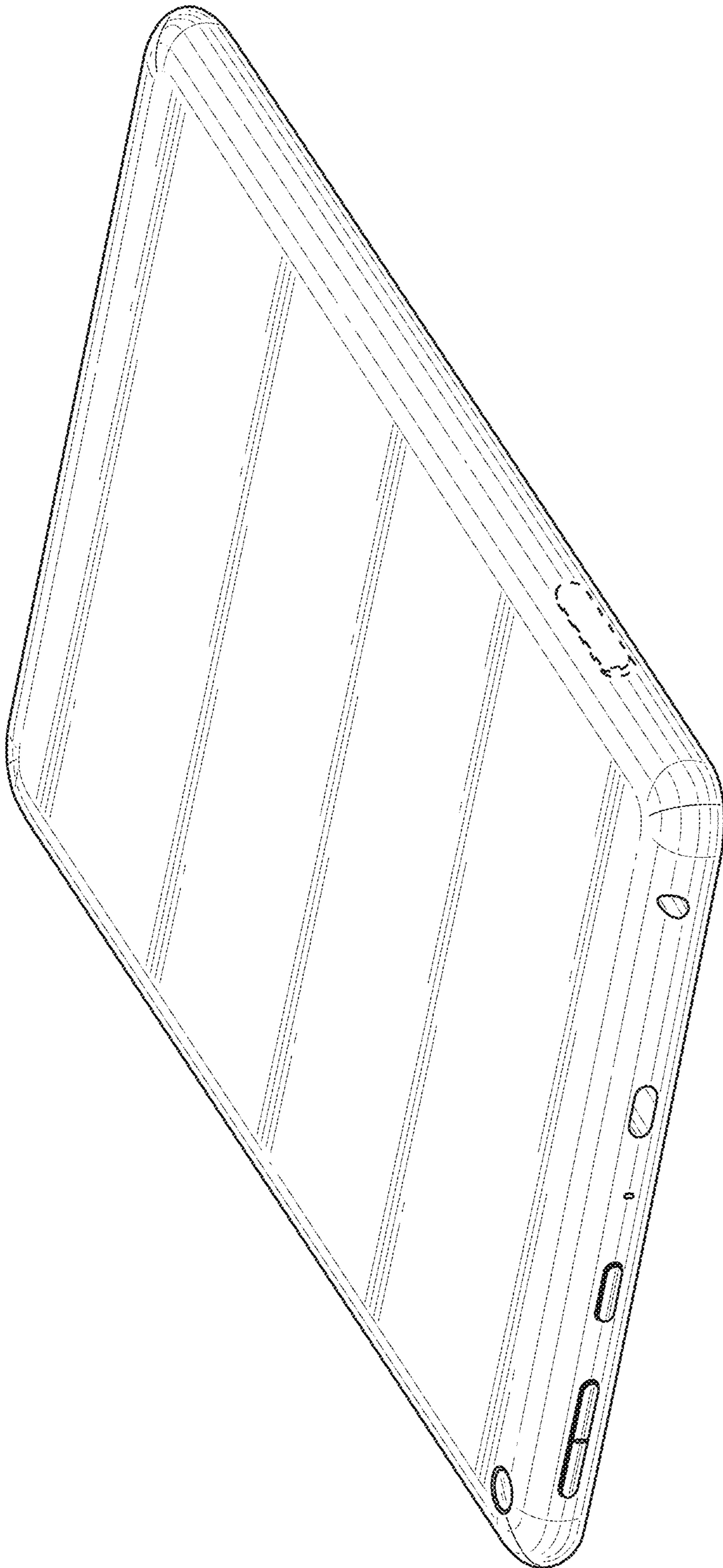
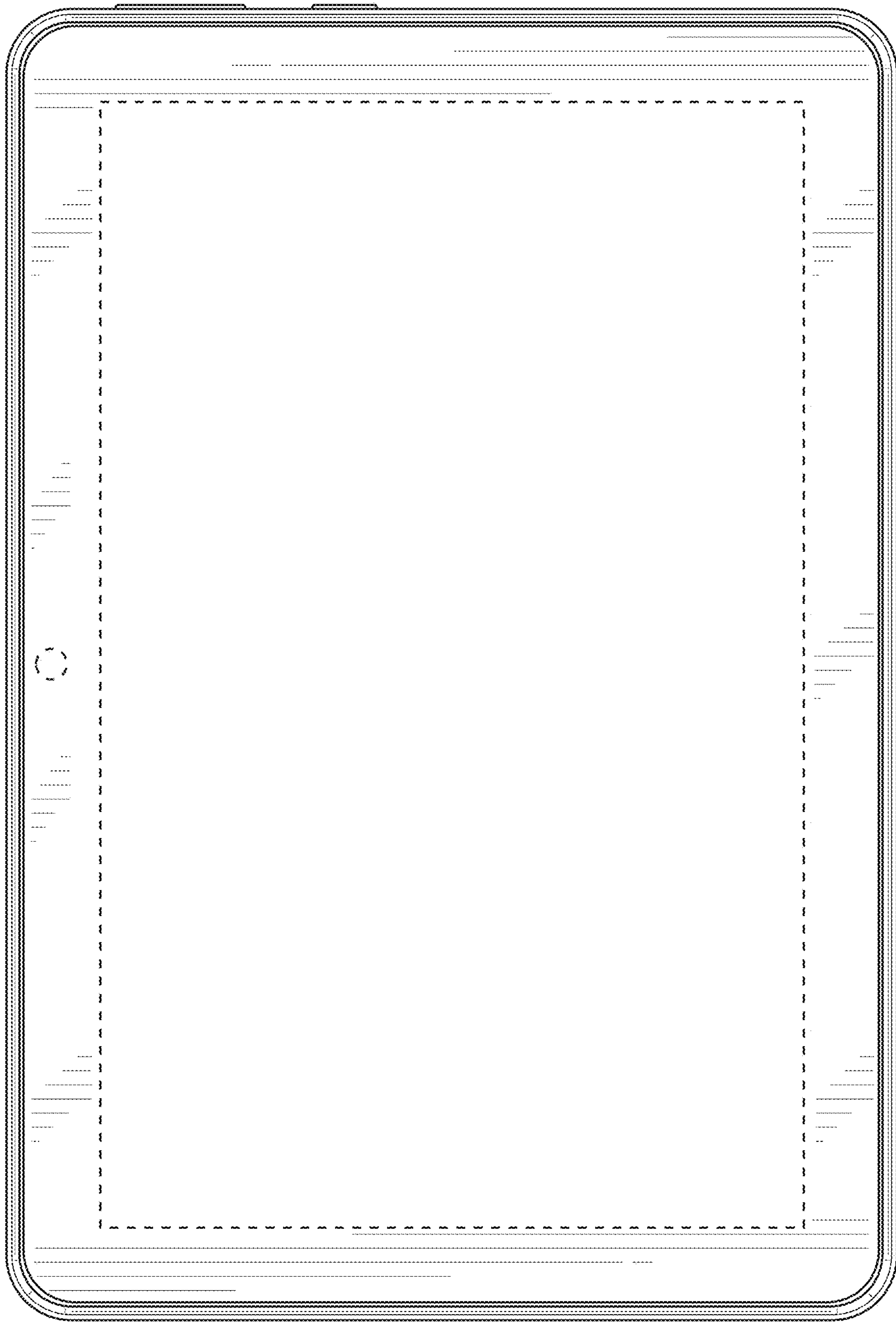


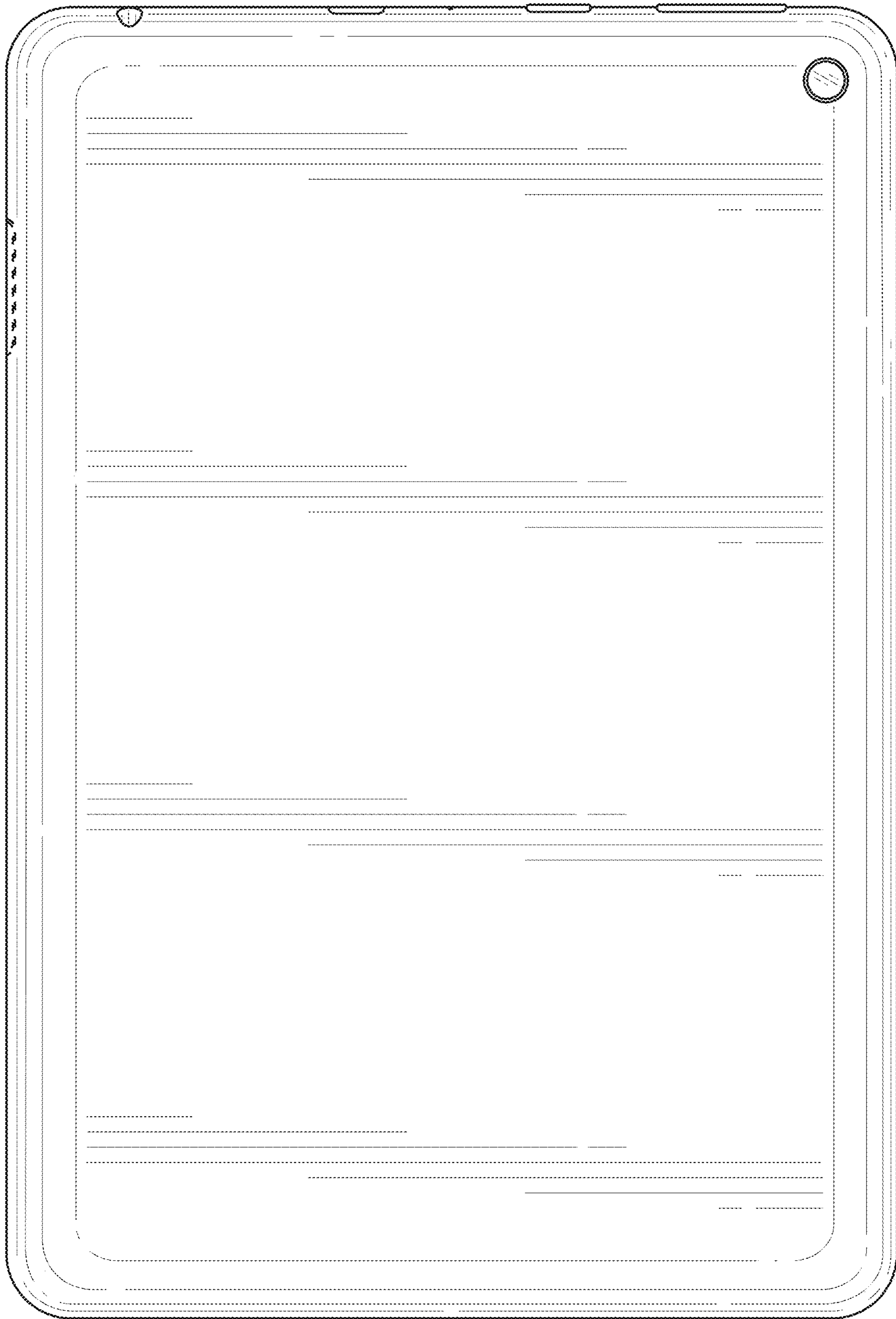
FIG. 1



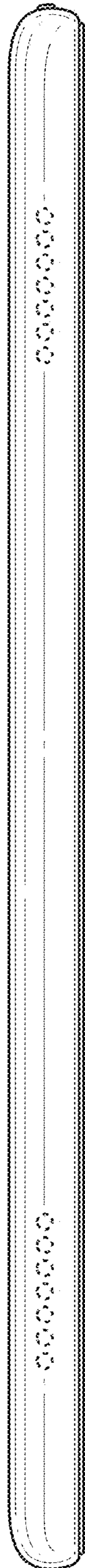
**FIG. 2**



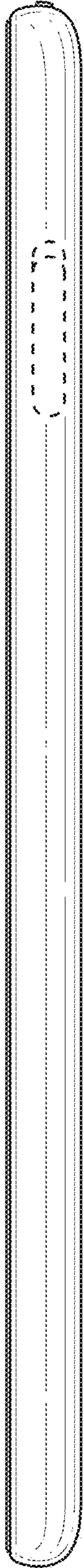
**FIG. 3**



**FIG. 4**



**FIG. 5**

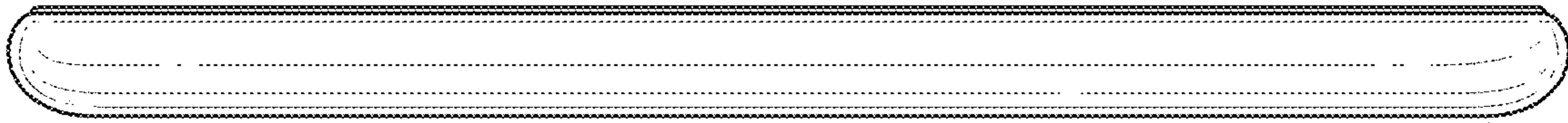


**FIG. 6**



**FIG. 7**





**FIG. 8**