



US00D923616S

(12) **United States Design Patent**  
**Xie**

(10) **Patent No.:** **US D923,616 S**

(45) **Date of Patent:** **\*\* Jun. 29, 2021**

(54) **PHONE CASE**

(71) Applicant: **Jiaping Xie**, Maoming (CN)

(72) Inventor: **Jiaping Xie**, Maoming (CN)

(\*\*) Term: **15 Years**

(21) Appl. No.: **29/769,193**

(22) Filed: **Feb. 4, 2021**

(30) **Foreign Application Priority Data**

Jan. 14, 2021 (EM) ..... 008402846-0001

(51) **LOC (13) Cl.** ..... **14-03**

(52) **U.S. Cl.**  
USPC ..... **D14/250**

(58) **Field of Classification Search**  
USPC ..... D14/203.3–203.7, 439, 251–253, 447,  
D14/217, 240, 238.1, 250, 440, 248;  
D13/107–108, 103, 119; D3/201, 218,  
D3/247, 249, 269, 273, 301, 303  
CPC . H04B 1/3888; A45C 13/02; A45C 2011/002;  
A45C 1/06; A45C 11/00; A45F 2005/026;  
A45F 2200/0525; A45F 2200/0516;  
H04M 1/0283; H04M 1/0202  
See application file for complete search history.

(56) **References Cited**

U.S. PATENT DOCUMENTS

D670,279 S \* 11/2012 Veltz ..... D14/250  
D671,932 S \* 12/2012 Azoulay ..... D14/250  
D701,211 S \* 3/2014 Ng ..... D14/440  
D709,486 S \* 7/2014 Lin ..... D14/250  
D716,280 S \* 10/2014 Macrina ..... D14/250  
D726,170 S \* 4/2015 Ng ..... D14/250  
D733,154 S \* 6/2015 Armstrong ..... D14/440  
D766,885 S \* 9/2016 Armstrong ..... D14/250  
D766,907 S \* 9/2016 Veltz ..... D14/440  
D794,625 S \* 8/2017 Armstrong ..... D14/250

D803,222 S \* 11/2017 Cheng ..... D14/440  
D806,083 S \* 12/2017 Armstrong ..... D14/440  
D831,018 S \* 10/2018 Kim ..... D14/250  
D838,264 S 1/2019 Wright et al.  
D850,456 S \* 6/2019 Armstrong ..... D14/440  
D862,446 S \* 10/2019 Jia ..... D14/250  
D863,286 S \* 10/2019 Hong ..... D14/250  
D868,052 S \* 11/2019 Jia ..... D14/250  
D868,053 S \* 11/2019 Gao ..... D14/250  
D868,789 S \* 12/2019 Weng ..... D14/440  
D876,420 S \* 2/2020 Armstrong ..... D14/250  
D876,423 S \* 2/2020 Armstrong ..... D14/250  
D888,031 S \* 6/2020 Armstrong ..... D14/250  
D892,804 S \* 8/2020 Lin ..... D14/440  
D895,626 S \* 9/2020 Akana ..... D14/439  
D898,016 S \* 10/2020 Liang ..... D14/250  
D903,646 S 12/2020 Huang  
D904,414 S \* 12/2020 Hyun ..... D14/440  
D915,386 S \* 4/2021 Zhou ..... D14/250

(Continued)

*Primary Examiner* — Carla J Wright

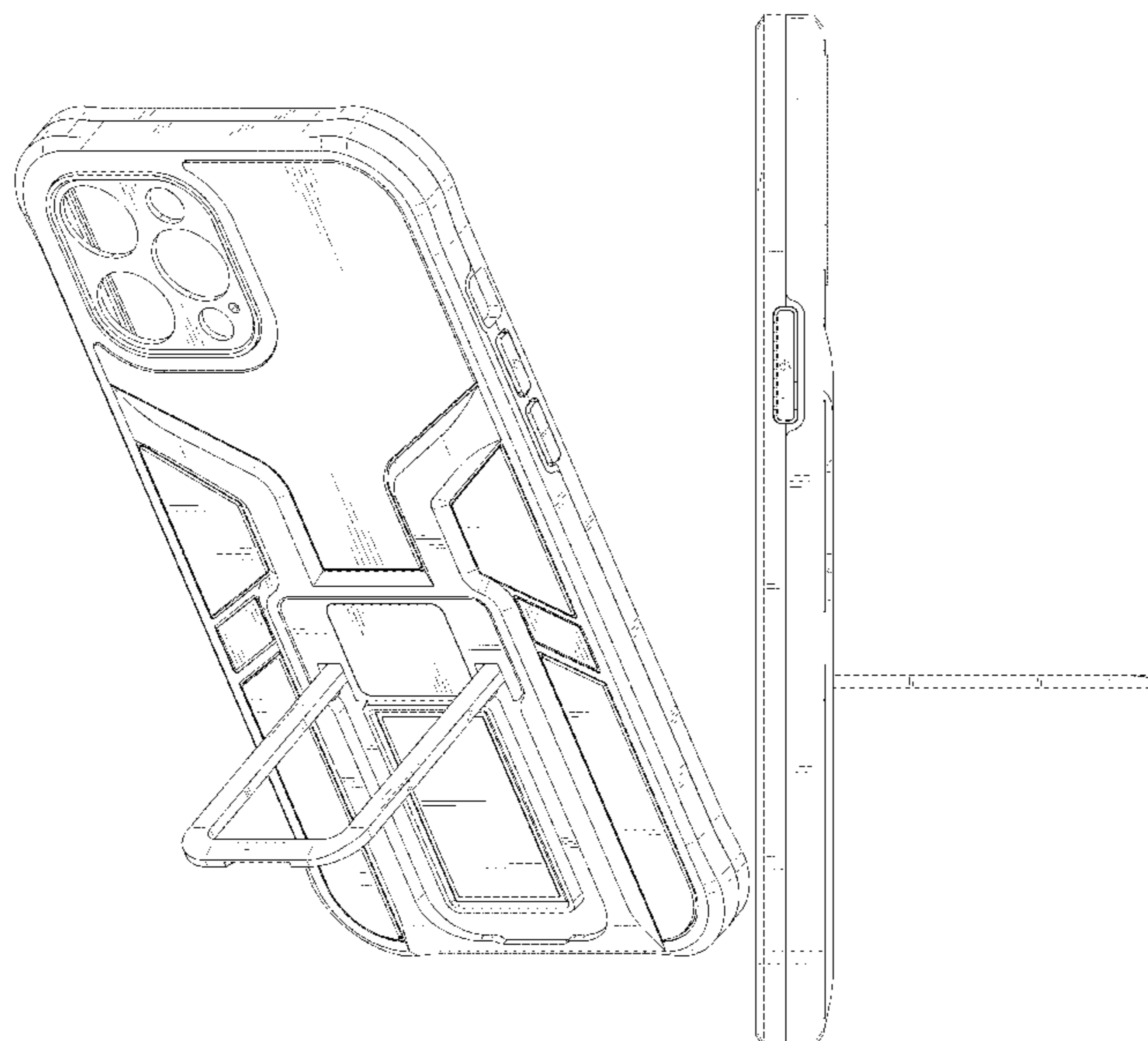
(57) **CLAIM**

The ornamental design for a phone case, as shown and described.

**DESCRIPTION**

FIG. 1 is a perspective view of a phone case where a kickstand is in an open state showing my new design;  
FIG. 2 is a perspective view of the phone case;  
FIG. 3 is a front elevational view thereof;  
FIG. 4 is a rear elevational view thereof;  
FIG. 5 is a left side elevational view thereof;  
FIG. 6 is a right side elevational view thereof;  
FIG. 7 is a top plan view thereof;  
FIG. 8 is a bottom plan view thereof; and,  
FIG. 9 is a perspective view of the phone case where the kickstand is in a closed state.  
The broken lines in the drawings depict portions of the phone case that form no part of the claimed design.

**1 Claim, 9 Drawing Sheets**



(56)

**References Cited**

U.S. PATENT DOCUMENTS

2012/0006950 A1\* 1/2012 Vandiver ..... F16M 11/105  
248/176.3  
2015/0068934 A1\* 3/2015 Armstrong ..... H04B 1/3888  
206/320  
2018/0041237 A1\* 2/2018 Mody ..... H04B 1/3877

\* cited by examiner

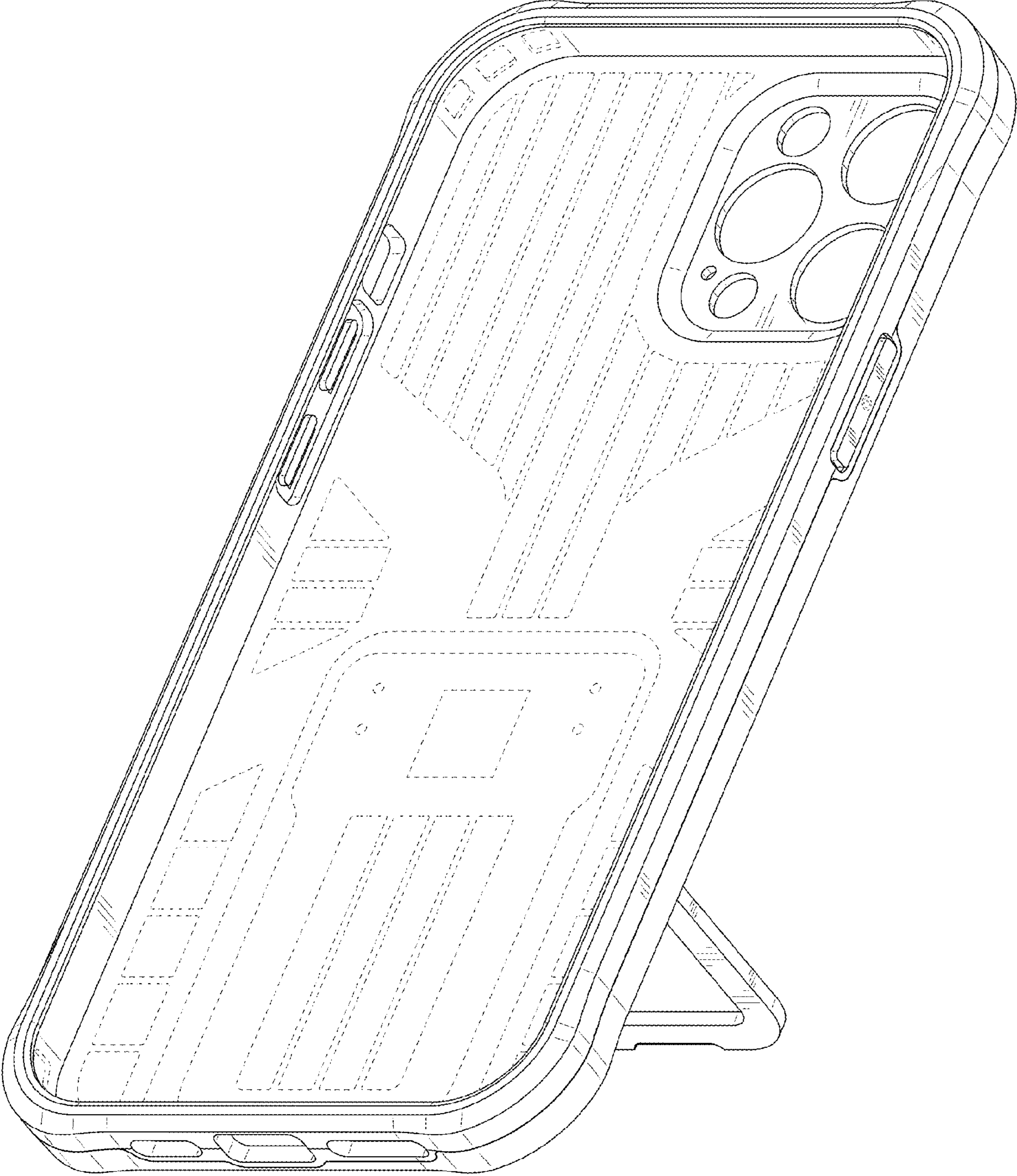


FIG. 1

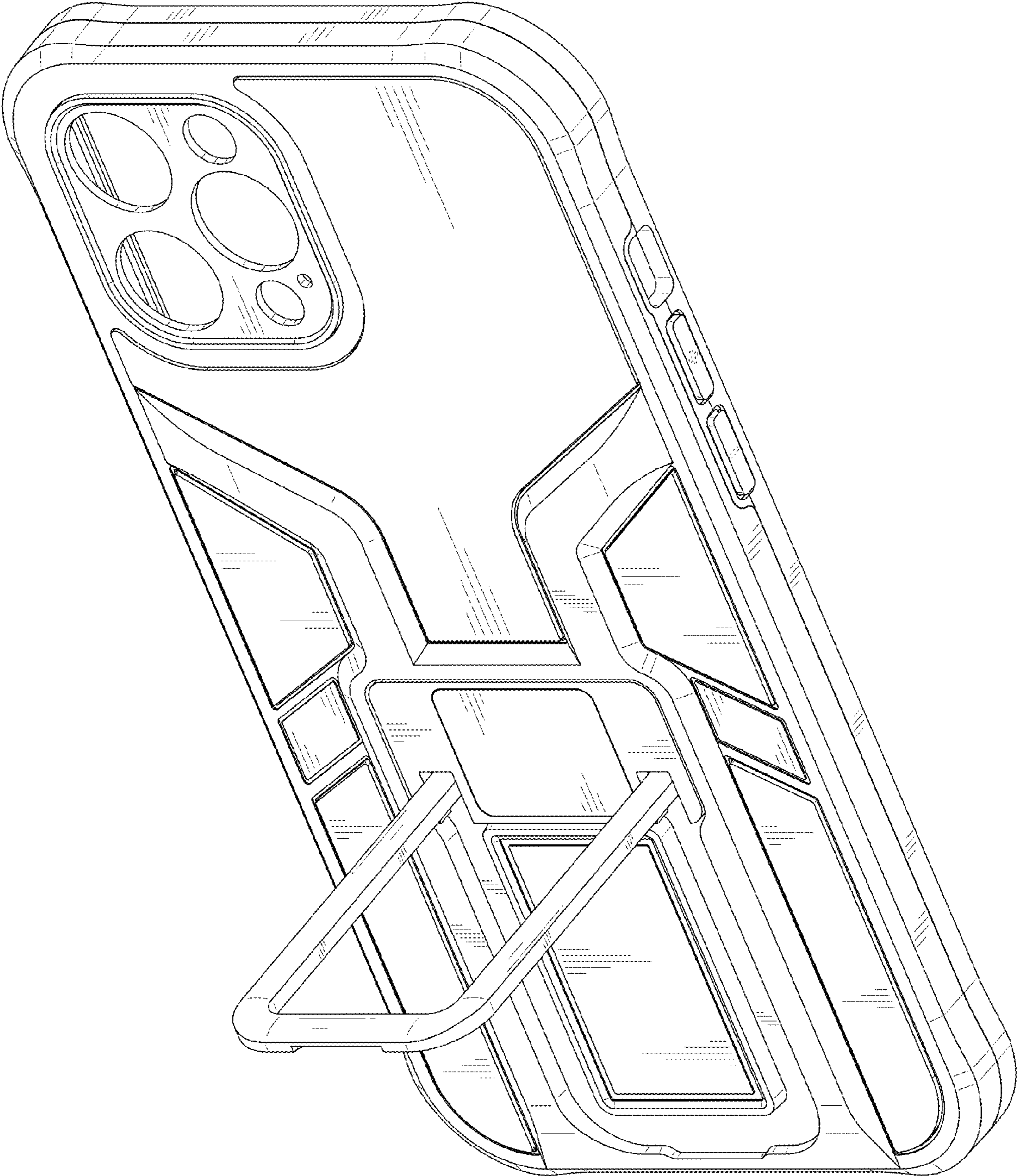


FIG. 2

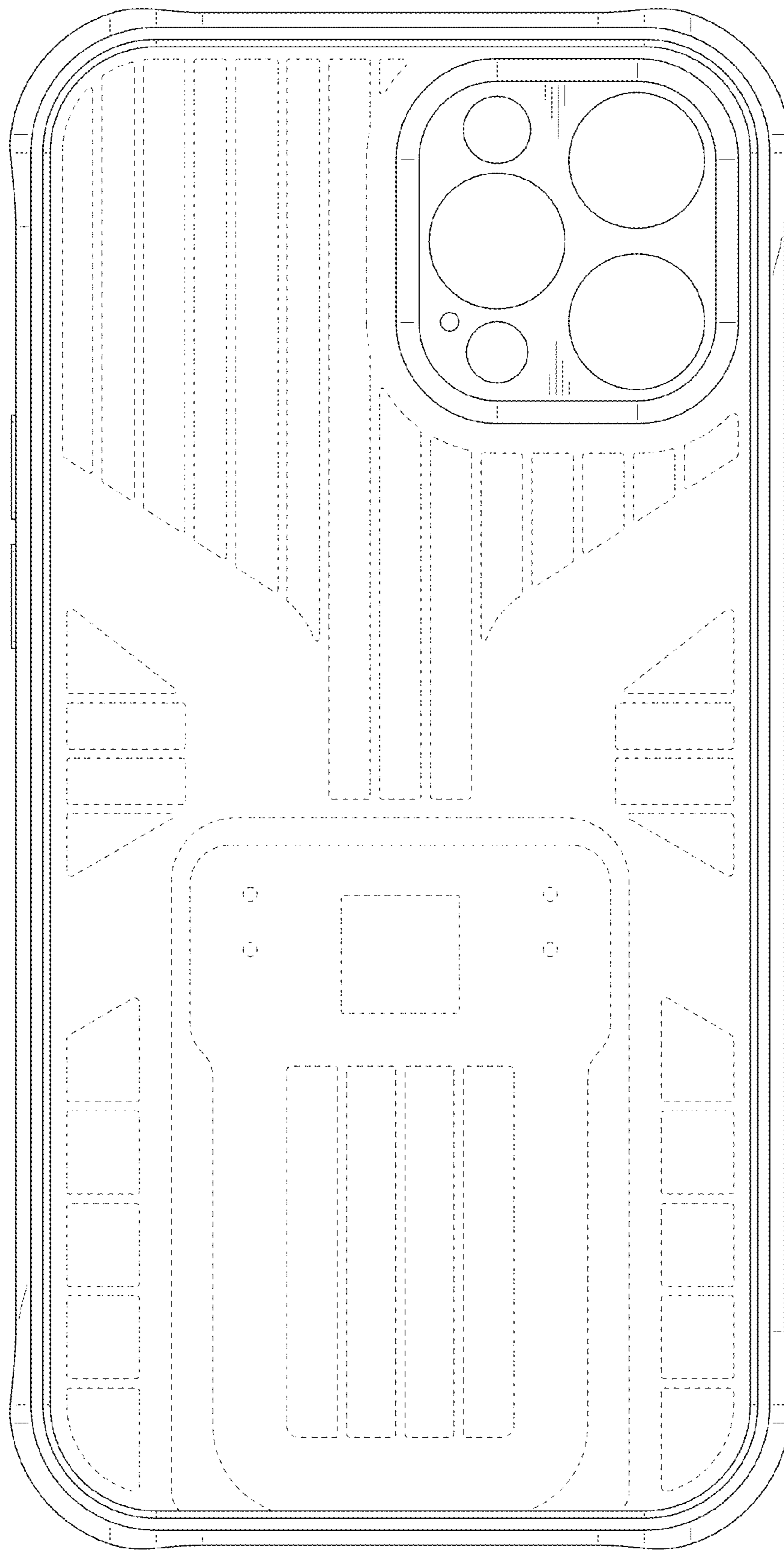


FIG. 3

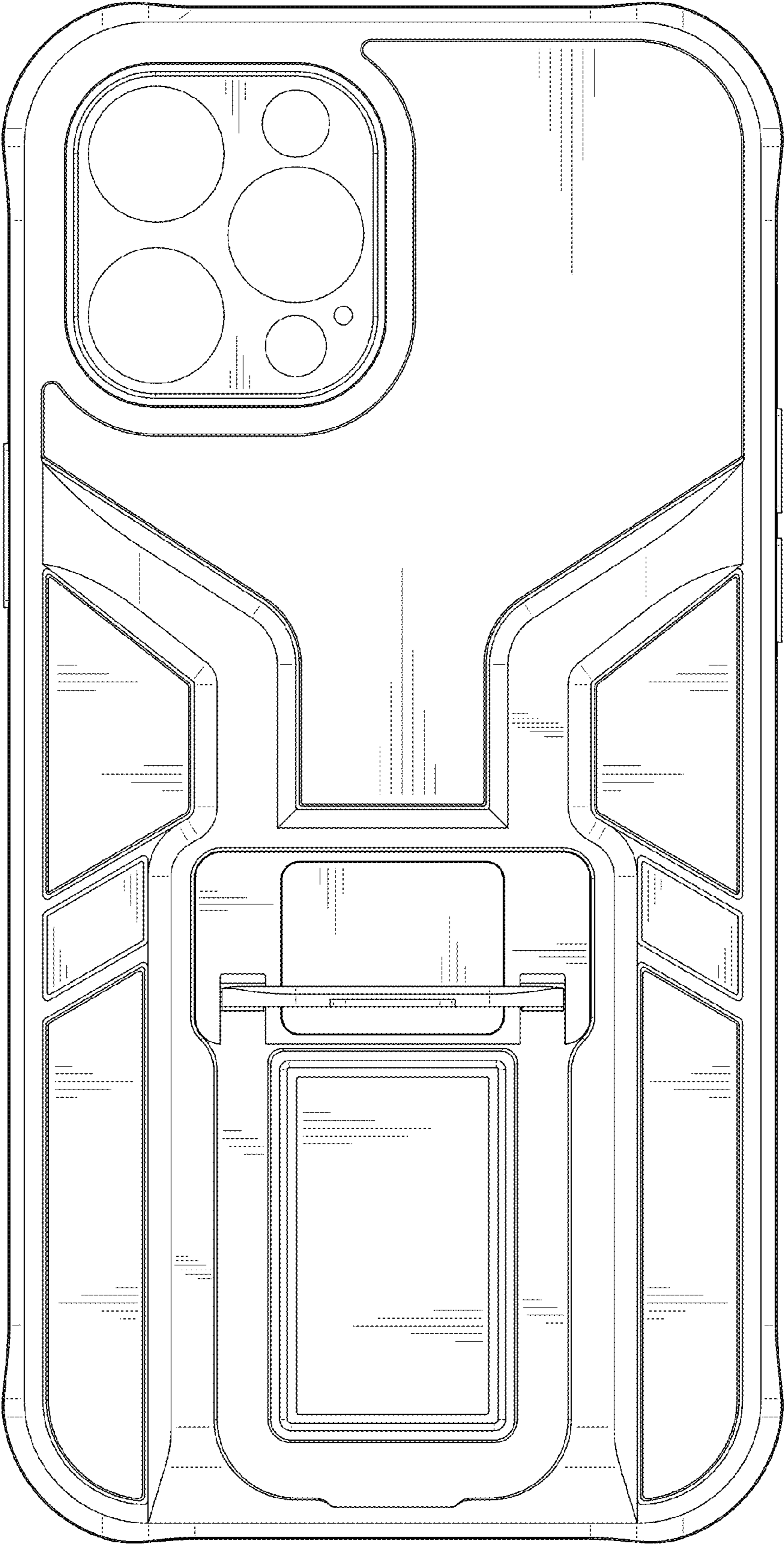


FIG. 4

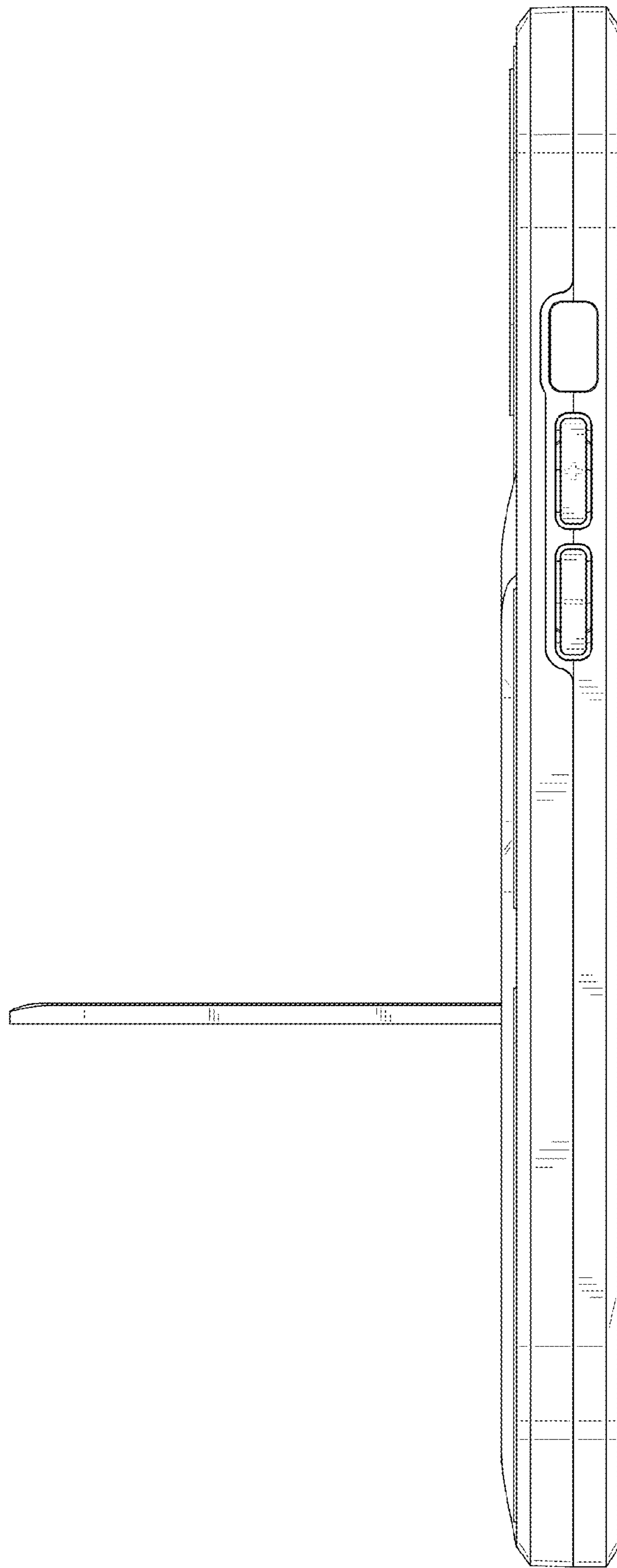


FIG. 5

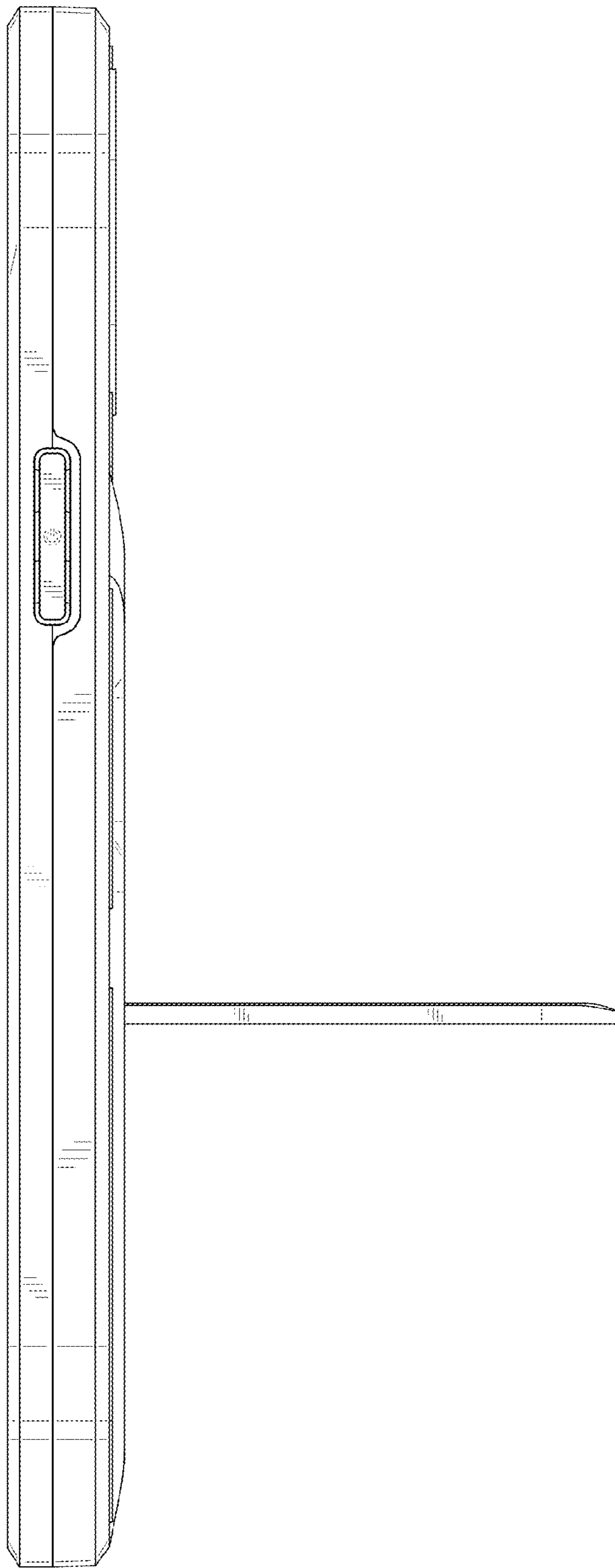


FIG. 6



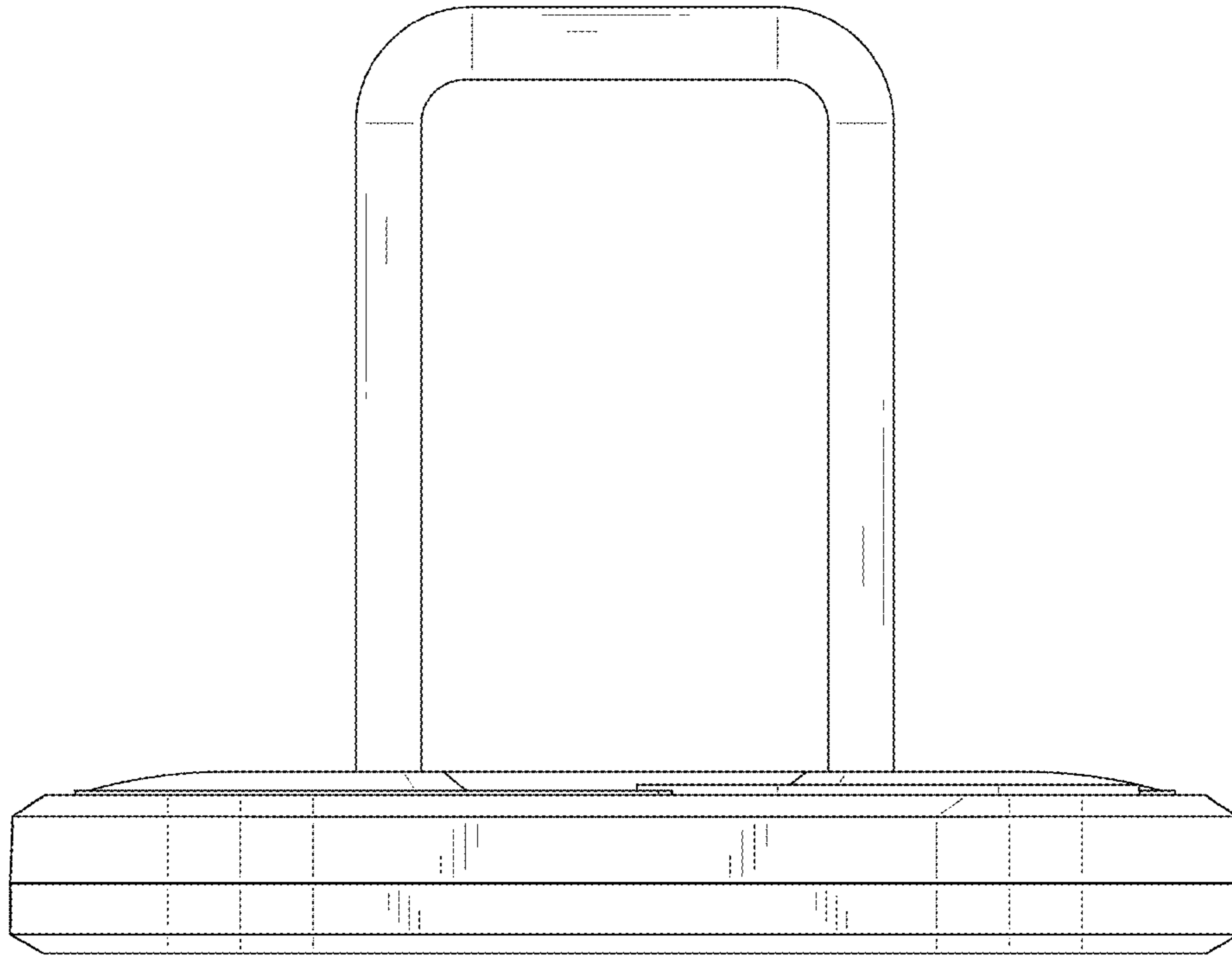


FIG. 7

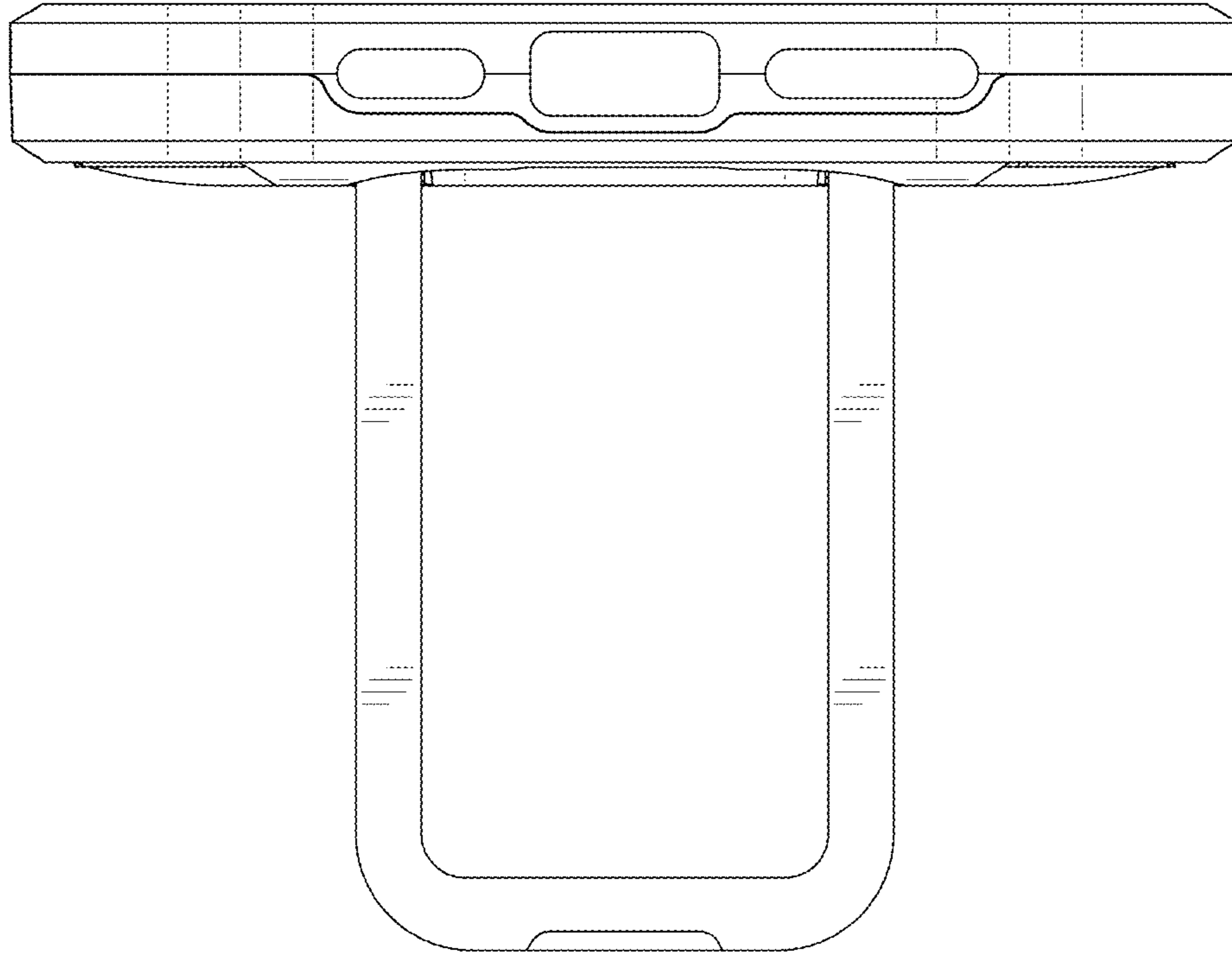


FIG. 8

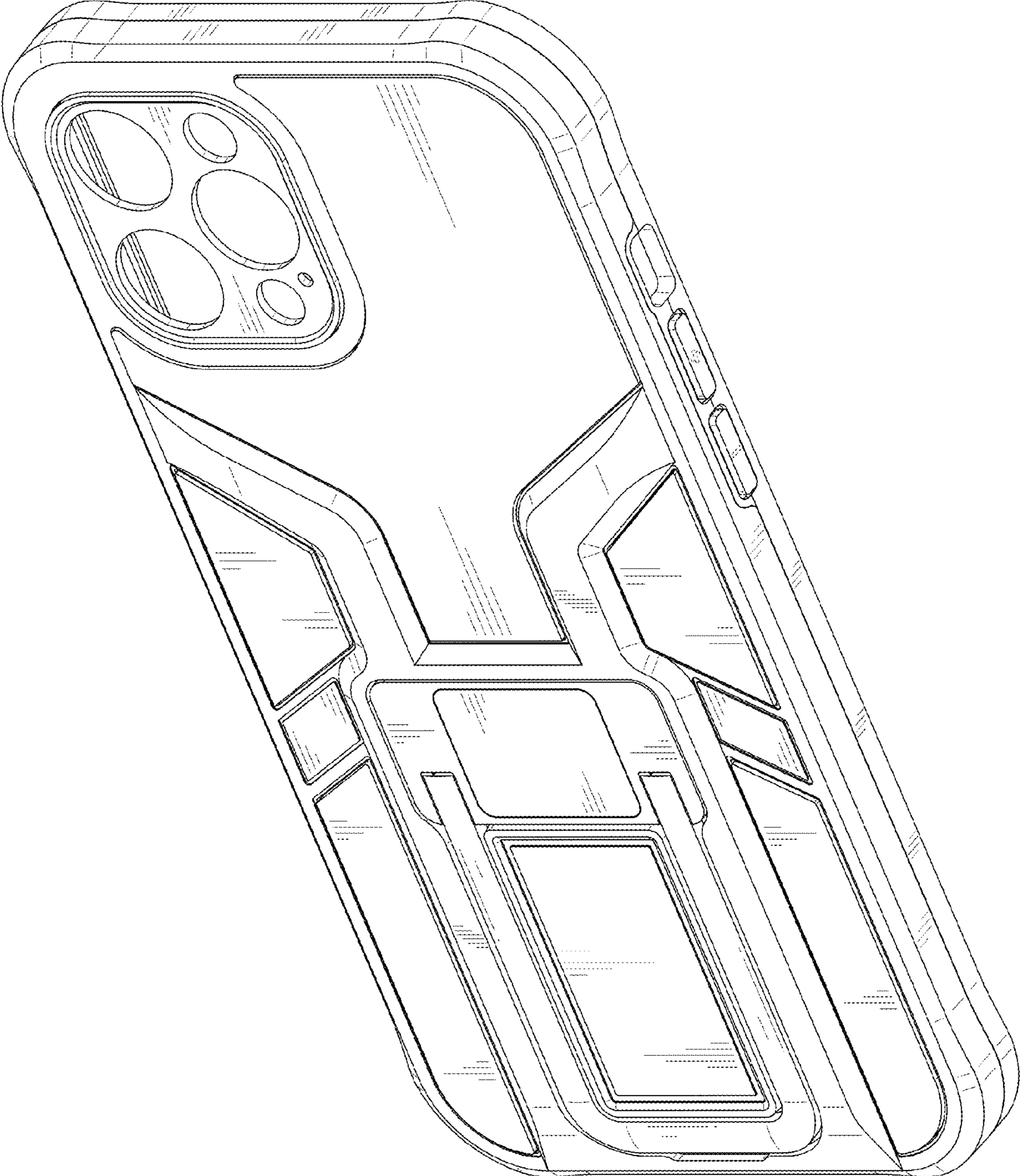


FIG. 9