



US00D923613S

(12) **United States Design Patent**
Yu

(10) **Patent No.:** **US D923,613 S**
(45) **Date of Patent:** **** Jun. 29, 2021**

(54) **FLAT ANTENNA**

(71) Applicant: **Xin Xiang Yu**, Guangdong (CN)

(72) Inventor: **Xin Xiang Yu**, Guangdong (CN)

(73) Assignee: **Shenzhen Chuang Jin Heng Electronic Technology Co., LTD**, Shenzhen (CN)

(**) Term: **15 Years**

(21) Appl. No.: **29/706,070**

(22) Filed: **Sep. 18, 2019**

(51) **LOC (13) Cl.** **14-03**

(52) **U.S. Cl.**
USPC **D14/230**

(58) **Field of Classification Search**
USPC D14/138, 230-238, 299, 358; D12/42, D12/43
CPC H01Q 7/00; H01Q 13/10; H01Q 9/285; H01Q 19/30; H01Q 19/12; H01Q 1/38; H01Q 1/36; H04B 1/0475; H04B 1/034; H05K 11/00
See application file for complete search history.

(56) **References Cited**

U.S. PATENT DOCUMENTS

2,505,424 A * 4/1950 Moseley H01Q 19/134 343/776
3,100,894 A * 8/1963 Giller H01Q 13/0258 343/756

D293,575 S * 1/1988 Sugiura D14/230
D491,926 S * 6/2004 Tai D14/230
D491,927 S * 6/2004 Tai D14/230
D516,060 S * 2/2006 Wu D14/230
D546,322 S * 7/2007 Cislo D14/230
D558,190 S * 12/2007 Cislo D14/230
D711,358 S * 8/2014 Jeon D14/230
D748,079 S * 1/2016 Dinsdale D14/230
D760,673 S * 7/2016 Chalabi D14/125
D793,347 S * 8/2017 Nostrant D13/168
D813,210 S * 3/2018 Benedetti D14/230
D863,270 S * 10/2019 Naweed D14/230
2010/0225561 A1 * 9/2010 Lee H04N 21/426 343/906
2015/0002356 A1 * 1/2015 Urbasic H01Q 21/29 343/832

* cited by examiner

Primary Examiner — John Windmuller

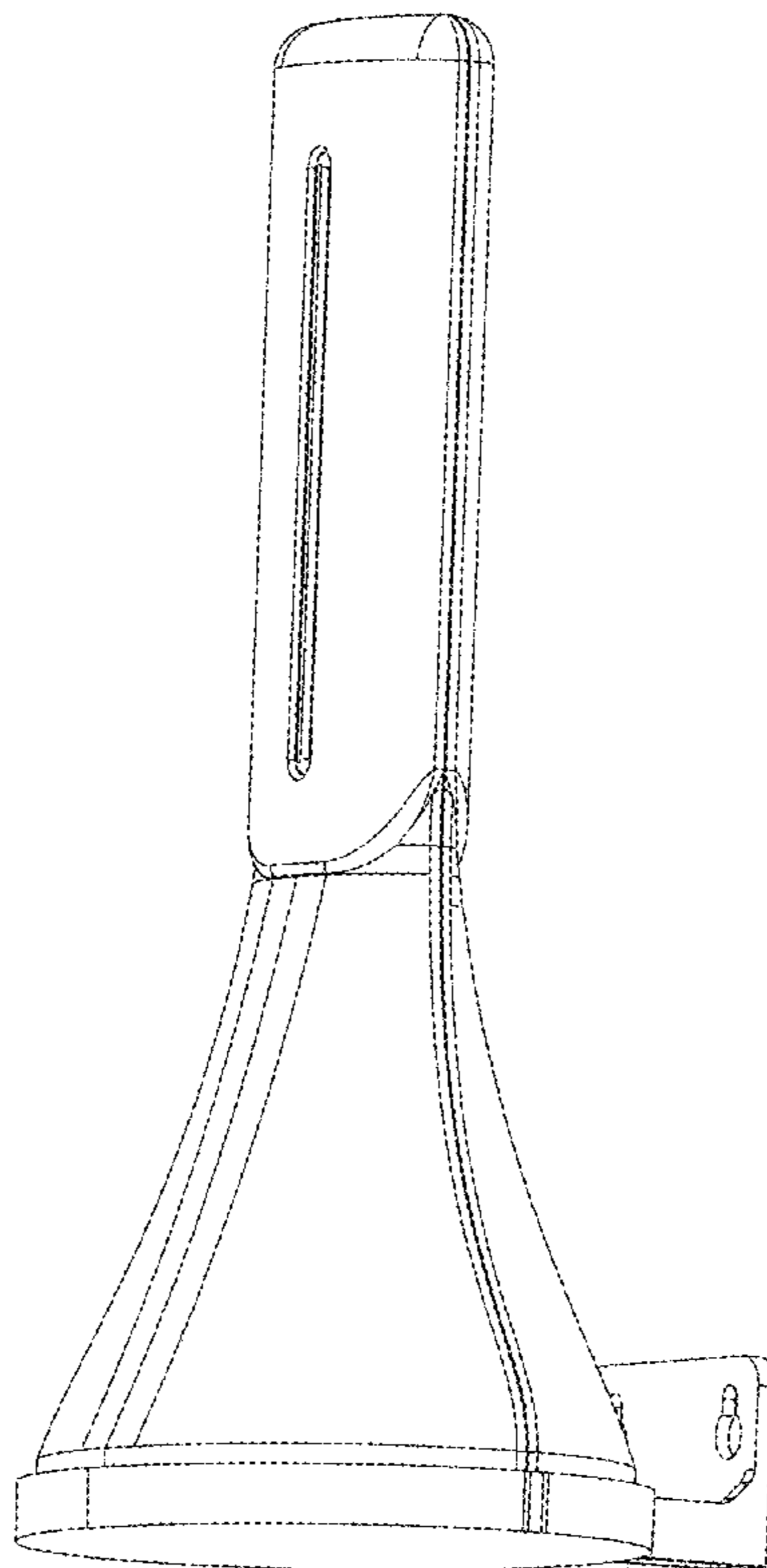
(57) **CLAIM**

The ornamental design for a flat antenna, as shown and described.

DESCRIPTION

FIG. 1 is a perspective view of a flat antenna showing my new design;
FIG. 2 is another perspective view thereof;
FIG. 3 is a front elevational view thereof;
FIG. 4 is a rear elevational view thereof;
FIG. 5 is a left side view thereof;
FIG. 6 is a right side view thereof; and,
FIG. 7 is a top plan view thereof.

1 Claim, 7 Drawing Sheets



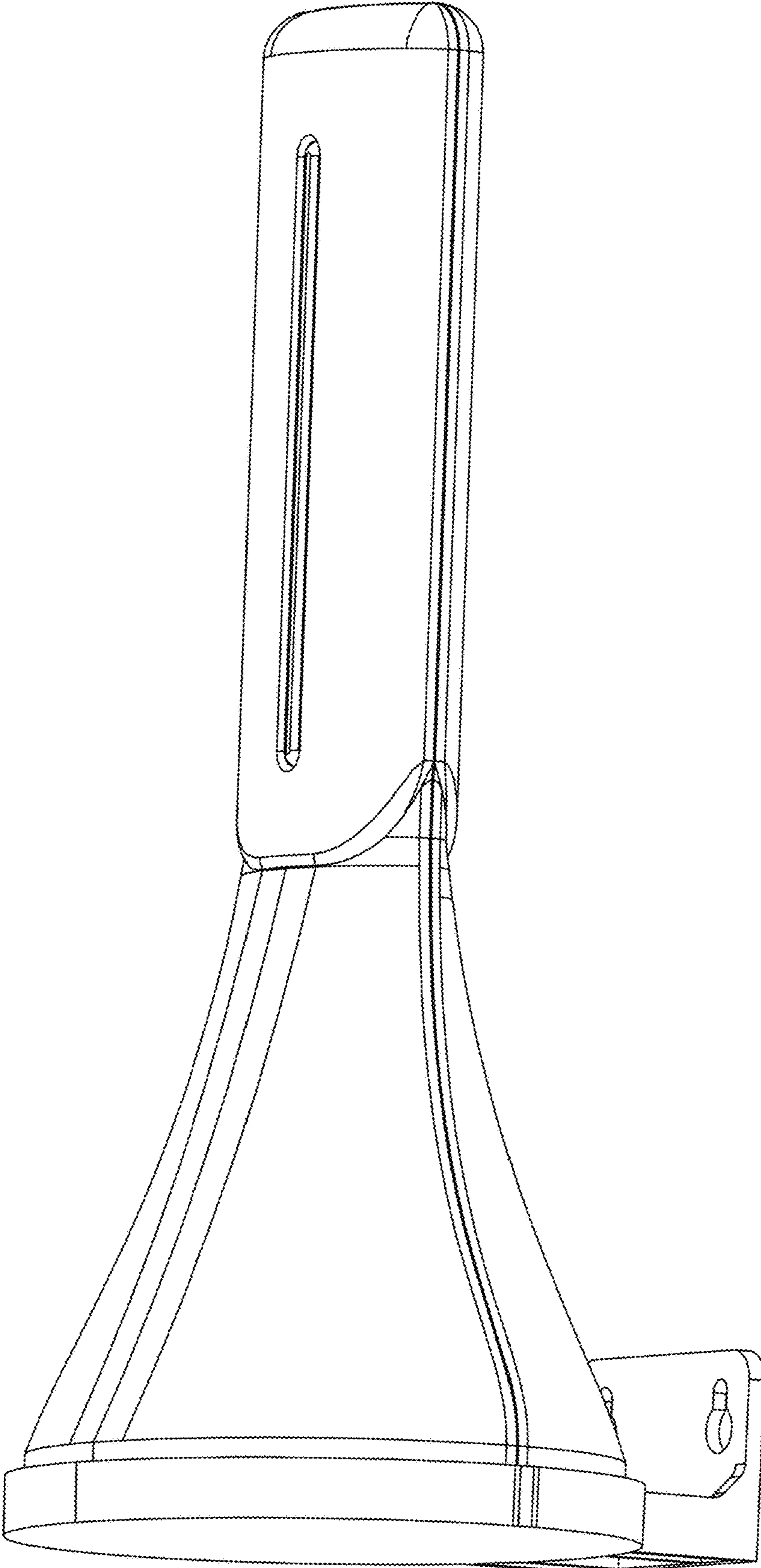


FIG. 1

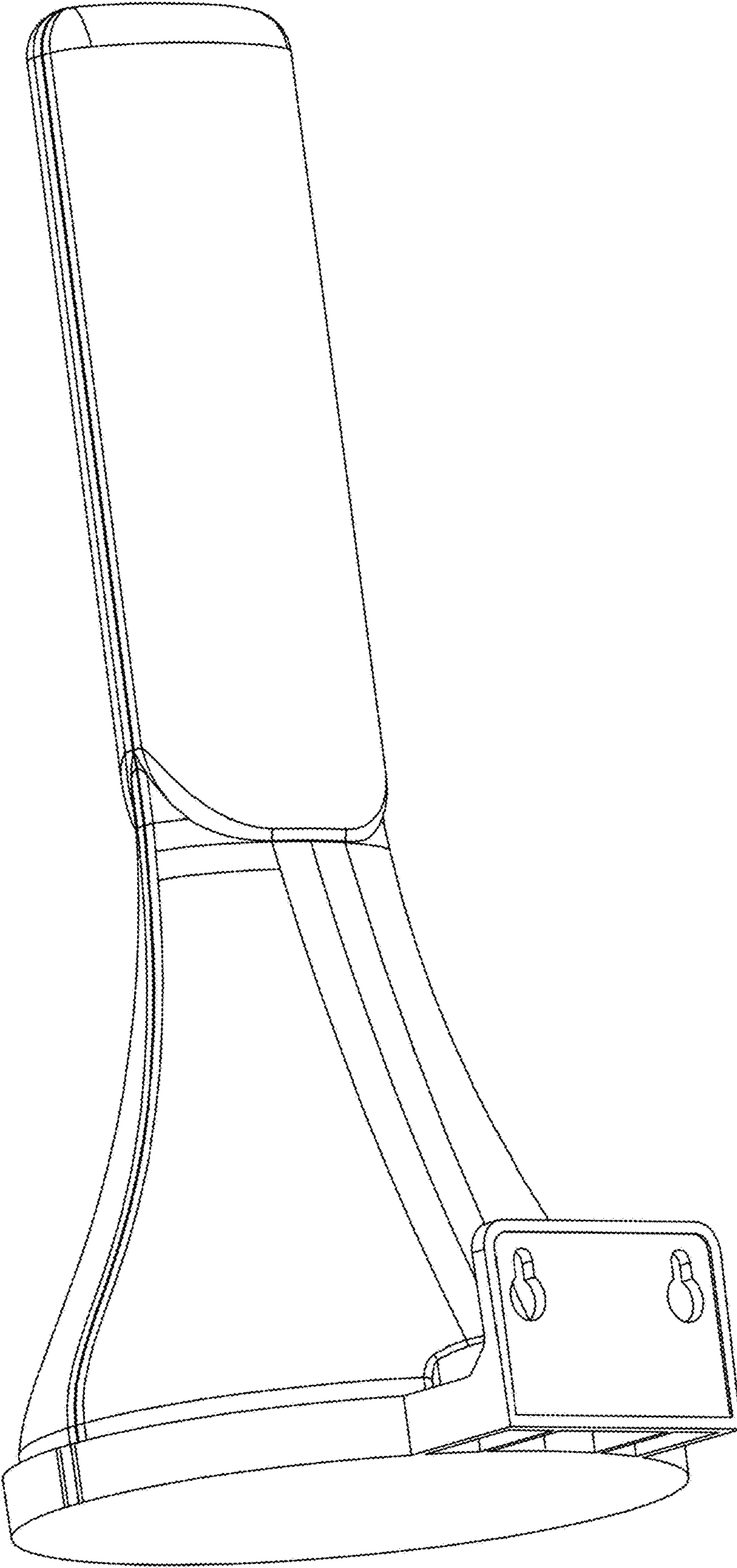


FIG.2

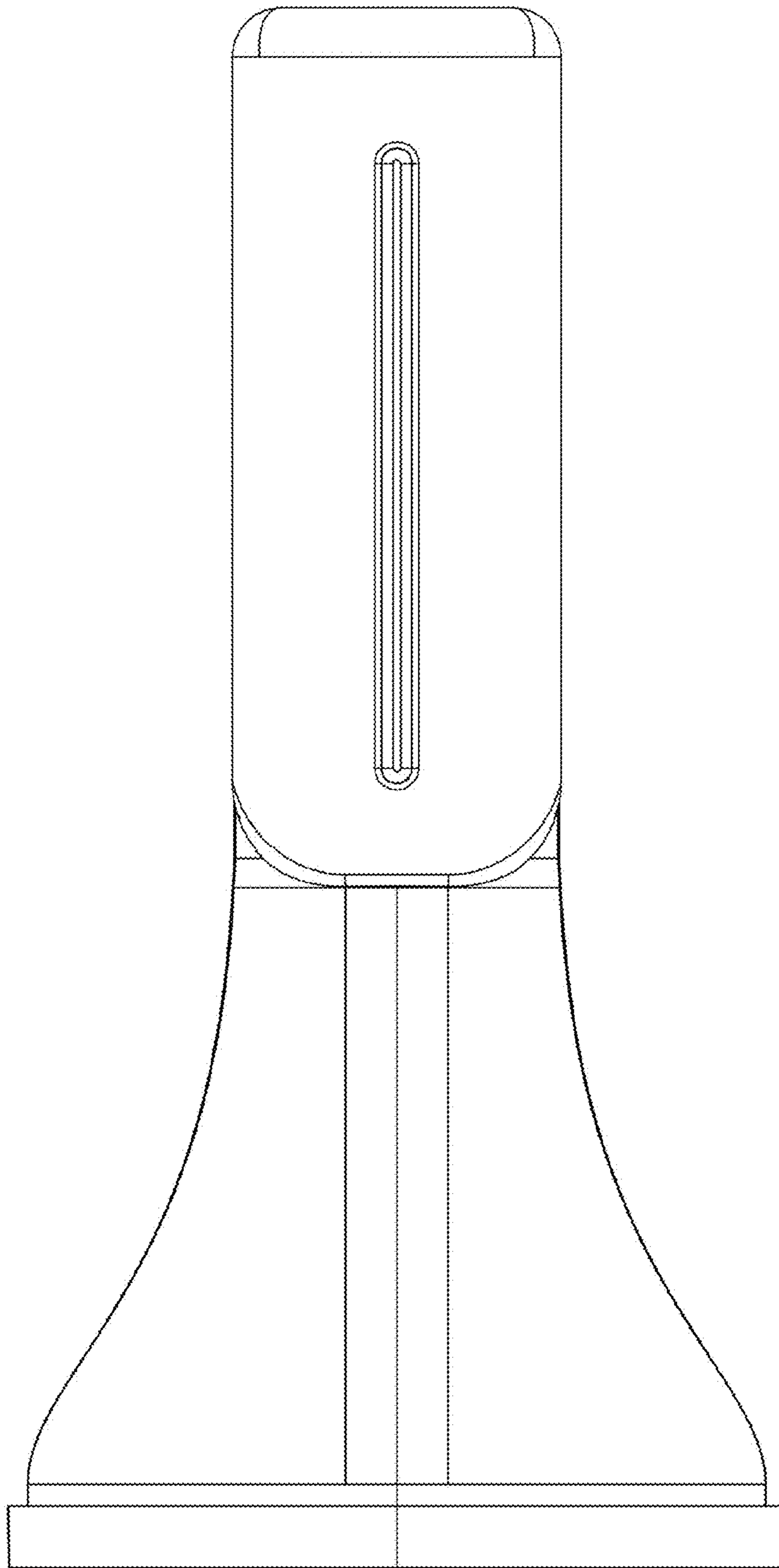


FIG.3

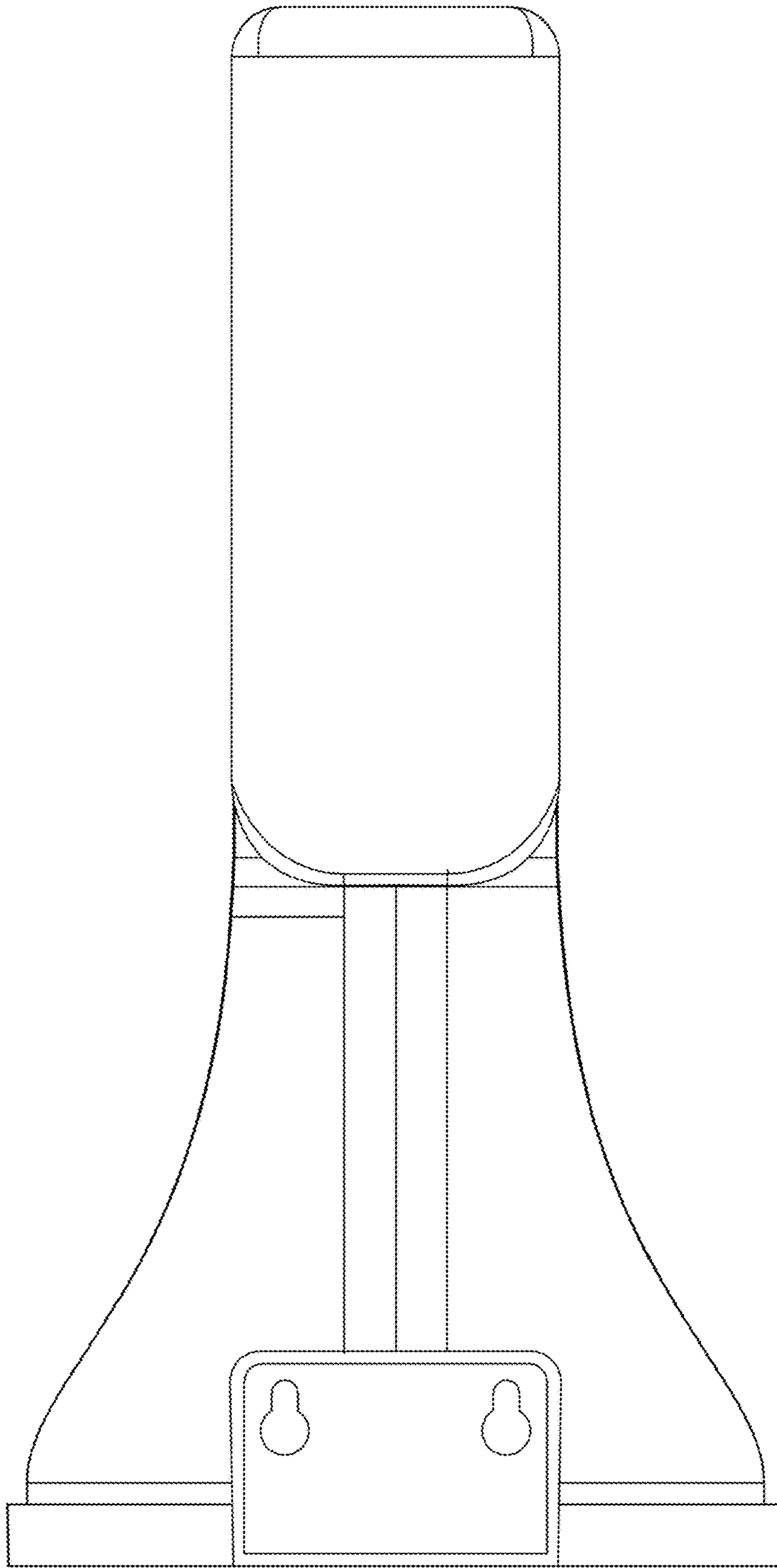


FIG.4

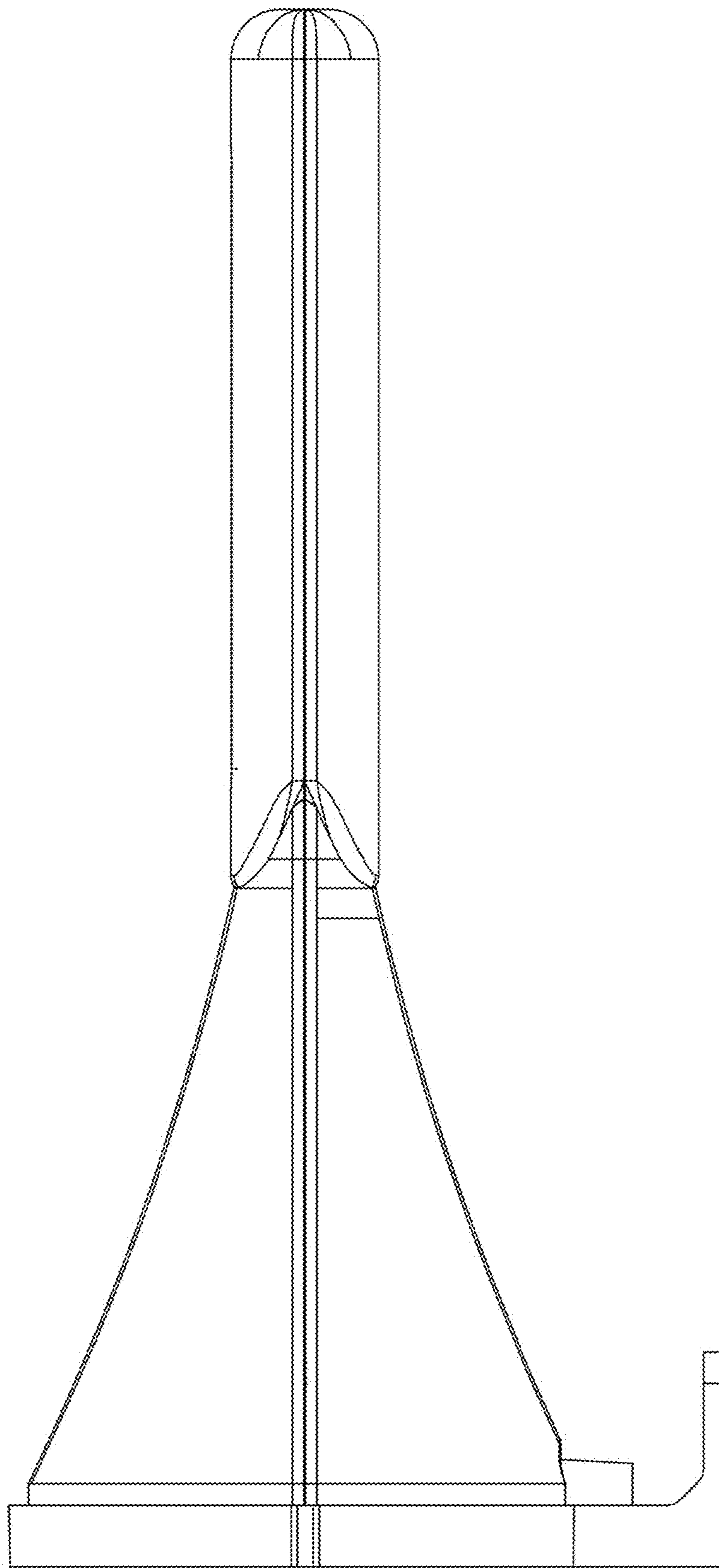


FIG.5

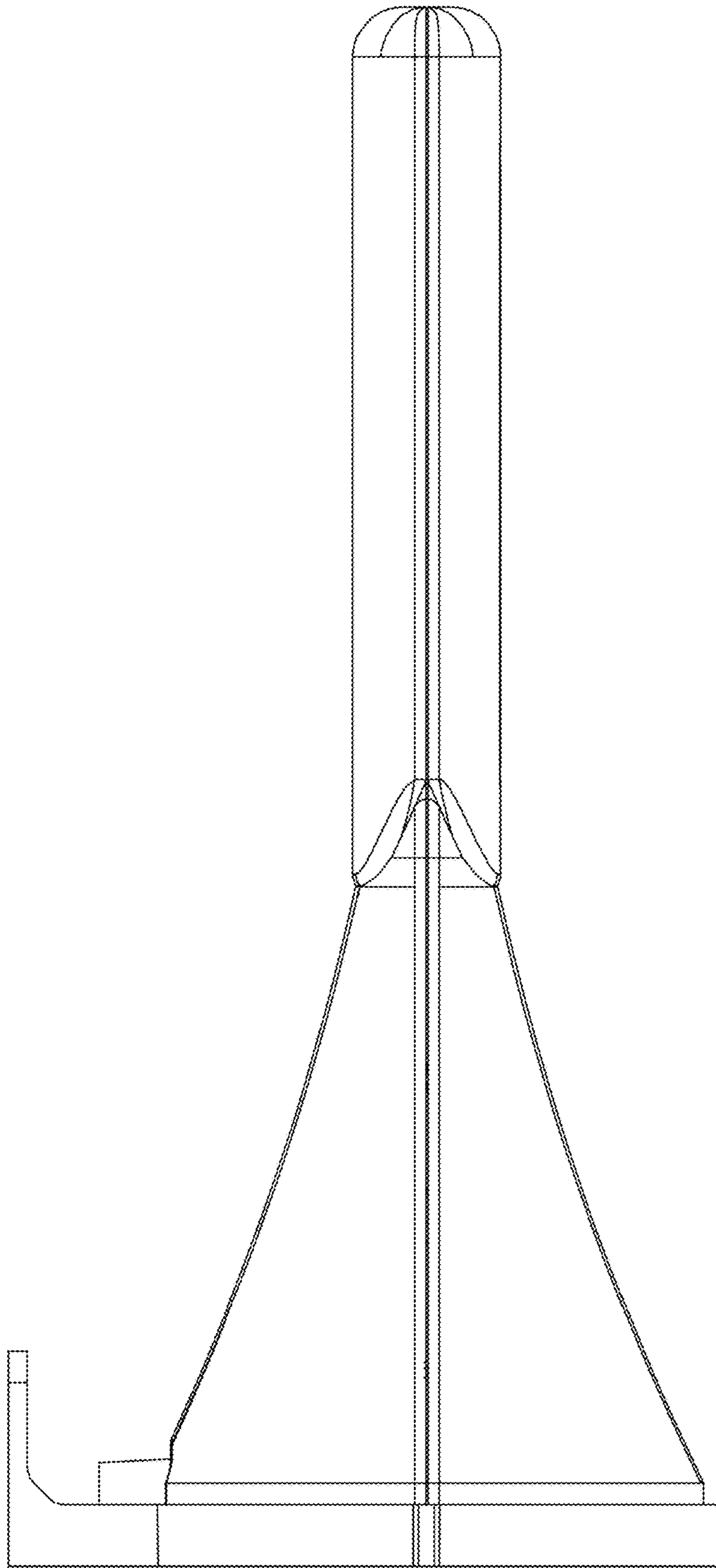


FIG.6

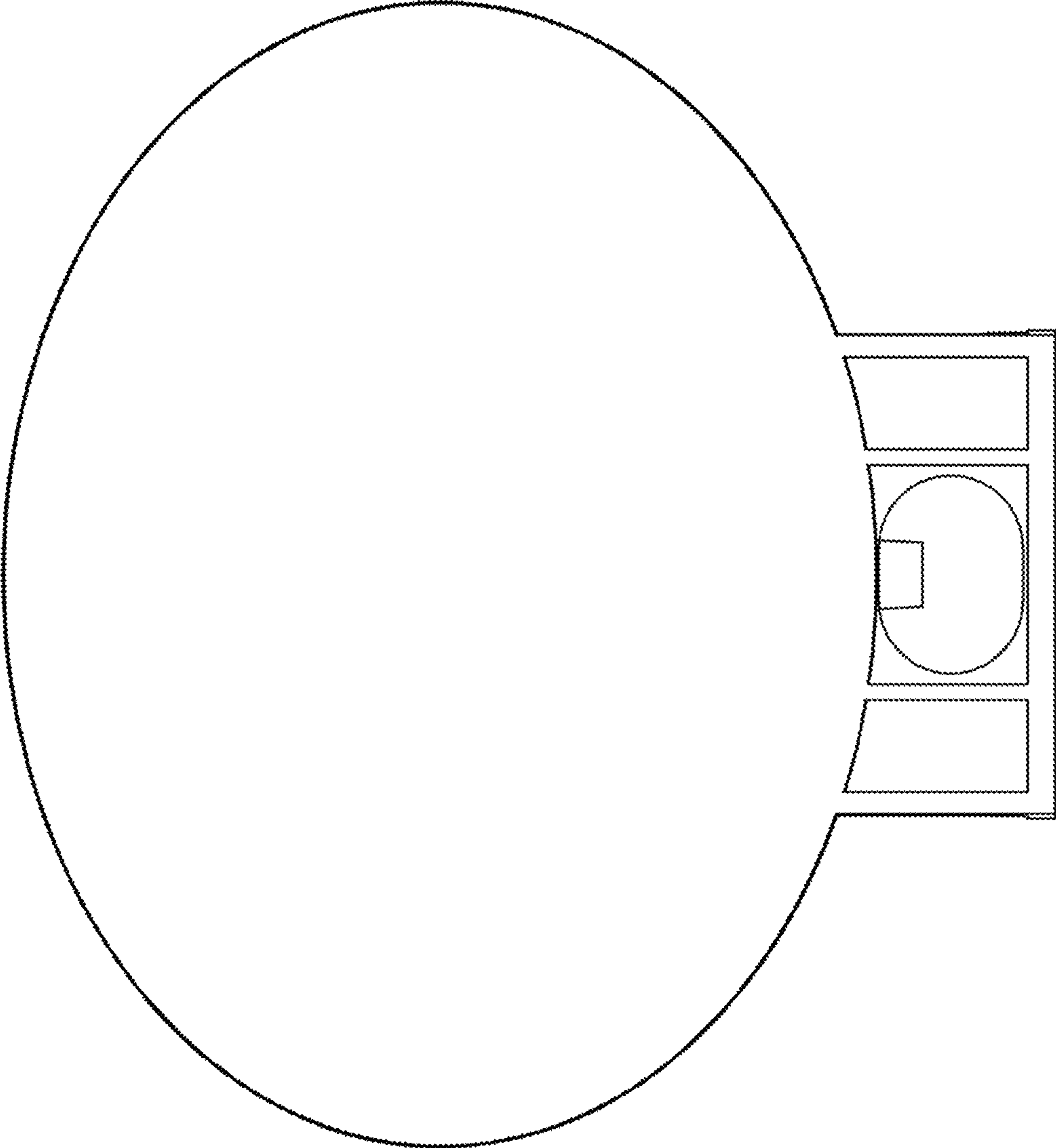


FIG.7