



US00D923611S

(12) **United States Design Patent** (10) **Patent No.:** **US D923,611 S**
Tan (45) **Date of Patent:** **** Jun. 29, 2021**

(54) **COMBINATION NUT FOR ANTENNAS**

(71) Applicant: **Wuhan Lehuiyu Technology Co., Ltd.**,
Hubei (CN)

(72) Inventor: **Lefen Tan**, Hubei (CN)

(**) Term: **15 Years**

(21) Appl. No.: **29/667,177**

(22) Filed: **Oct. 18, 2018**

(51) **LOC (13) Cl.** **14-03**

(52) **U.S. Cl.**
USPC **D14/230**

(58) **Field of Classification Search**
USPC D14/230
CPC H01Q 9/04
See application file for complete search history.

(56) **References Cited**

U.S. PATENT DOCUMENTS

2,251,708	A *	8/1941	Hefele	G01S 1/02 342/433
2,478,273	A *	8/1949	Jenkins	H01Q 1/20 343/899
D199,126	S *	9/1964	Barrett	D6/686
D242,929	S *	1/1977	Montague	D14/144
D310,224	S *	8/1990	Cooper	D14/230
D320,601	S *	10/1991	Harada	D14/230
D329,240	S *	9/1992	Cooper	D14/230
D345,363	S *	3/1994	Watanabe	D14/234
5,392,056	A *	2/1995	DeTeso	H01Q 1/40 343/872
D367,480	S *	2/1996	Bacnik	D14/230
D367,481	S *	2/1996	Bacnik	D14/230
D391,577	S *	3/1998	Brehmer	D14/230
6,061,037	A *	5/2000	Brouwers	H01Q 1/085 343/718
D457,518	S *	5/2002	Wilson	343/749
D462,070	S *	8/2002	Wilson	D14/233
D468,731	S *	1/2003	Wilson	D14/234

D491,926	S *	6/2004	Tai	D14/230
D506,995	S *	7/2005	Wilson	D14/230
D528,105	S *	9/2006	Green	D14/230
D546,323	S *	7/2007	Van Buren	D14/230
D561,746	S *	2/2008	Green	D14/233
D649,140	S *	11/2011	Spatter	D14/230
D652,026	S *	1/2012	Yukimoto	D14/230
D696,231	S *	12/2013	Konishi	D14/230
D726,631	S *	4/2015	Widgery	D12/223
D748,079	S *	1/2016	Dinsdale	D14/230
9,252,573	B2 *	2/2016	Haslacher	H02G 1/083
D855,039	S *	7/2019	Naweed	D14/230

(Continued)

OTHER PUBLICATIONS

Image Trademark of Wuhan Lehuiyu Technology Co.,Ltd. filing date 2019, <https://trademarks.justia.com/882/49/n-88249264.html>, site visited Jun. 21, 2020.*

(Continued)

Primary Examiner — John R Yeh

(74) *Attorney, Agent, or Firm* — Rumit Ranjit Kanakia

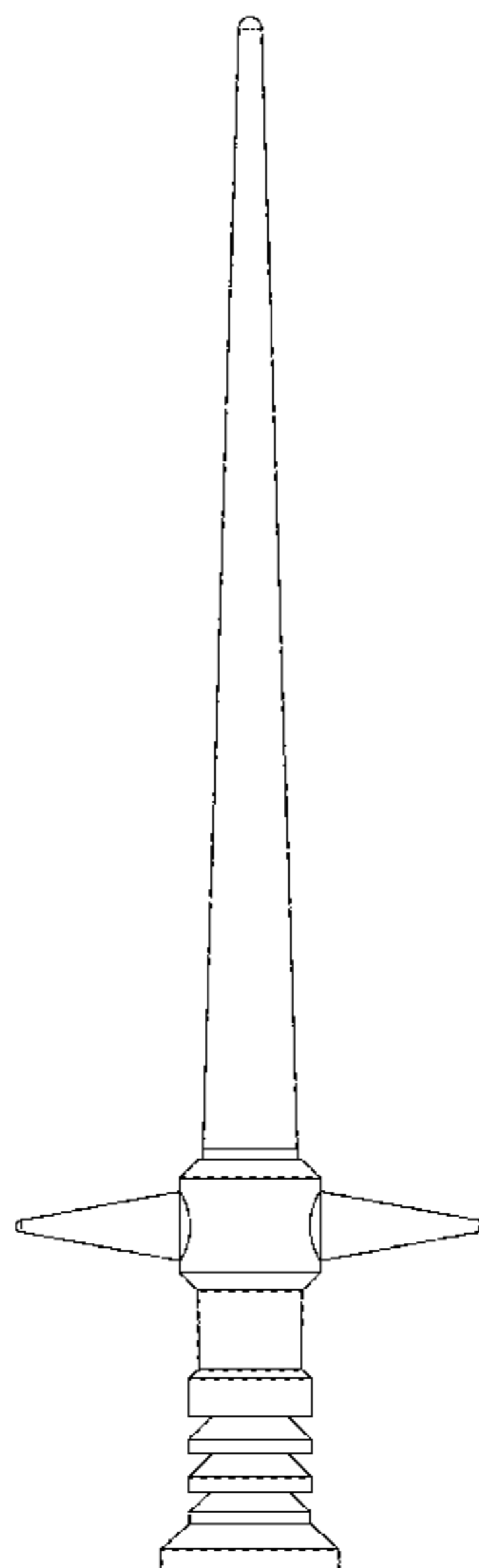
(57) **CLAIM**

The ornamental design for a combination nut for antennas, as shown and described.

DESCRIPTION

FIG. 1 is a front elevational view of a combination nut for antennas showing my new design;
FIG. 2 is a rear elevational view thereof;
FIG. 3 is a left side view thereof;
FIG. 4 is a right side view thereof;
FIG. 5 is a top plan view thereof;
FIG. 6 is a bottom plan view thereof;
FIG. 7 is a bottom perspective view thereof; and,
FIG. 8 is a top perspective view thereof.
The broken lines are only for environmental purposes and form no part of the claimed design.

1 Claim, 8 Drawing Sheets



(56)

References Cited

U.S. PATENT DOCUMENTS

D863,270 S * 10/2019 Naweed D14/230
D891,403 S * 7/2020 Emerick D14/230

OTHER PUBLICATIONS

29650 Antenna Nut Socket Set | Lisle Corporation website 2021,
<https://www.lislecorp.com/specialty-tools/antenna-nut-socket-set>, site
visited Mar. 4, 2021.*

* cited by examiner

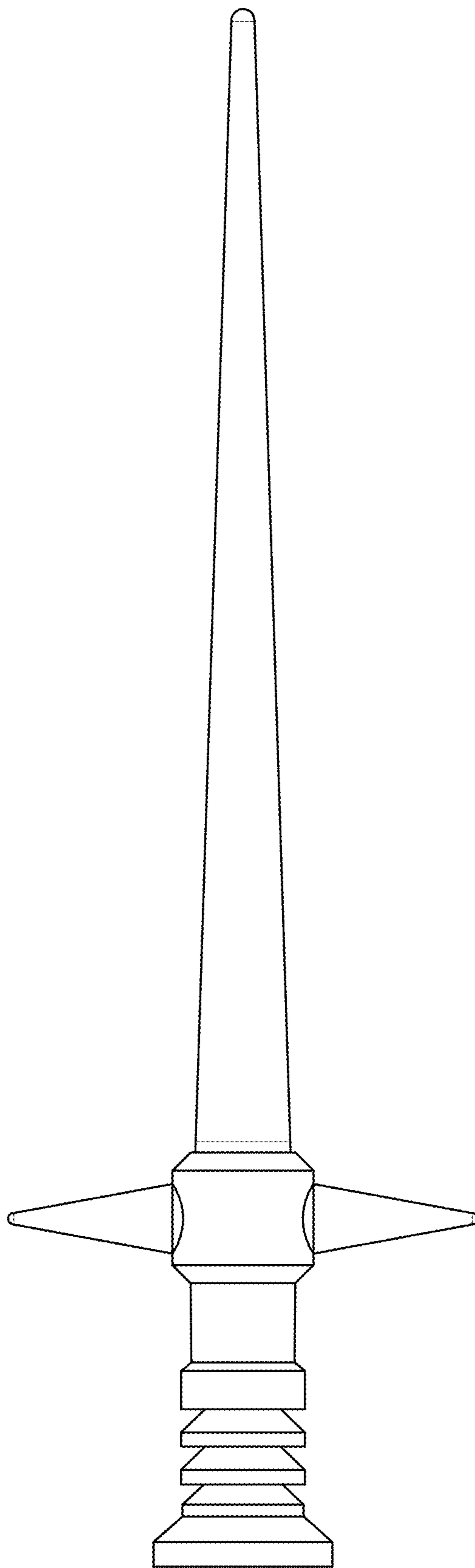


FIG. 1

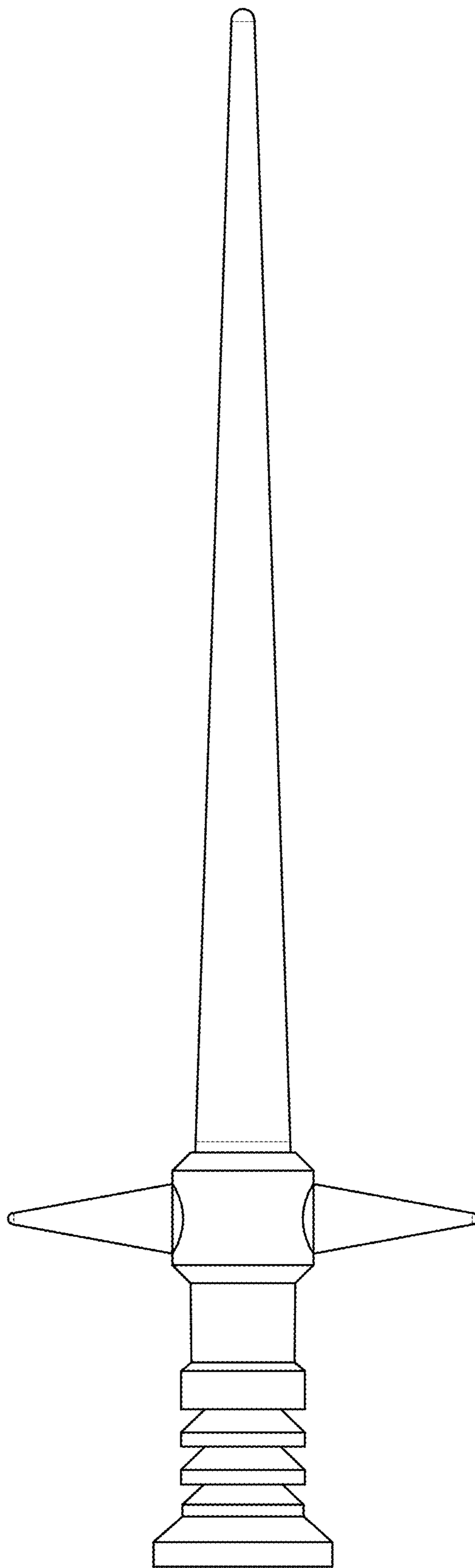


FIG. 2

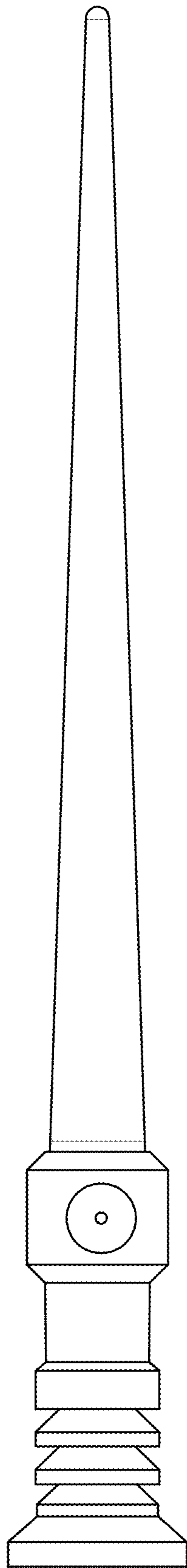


FIG. 3

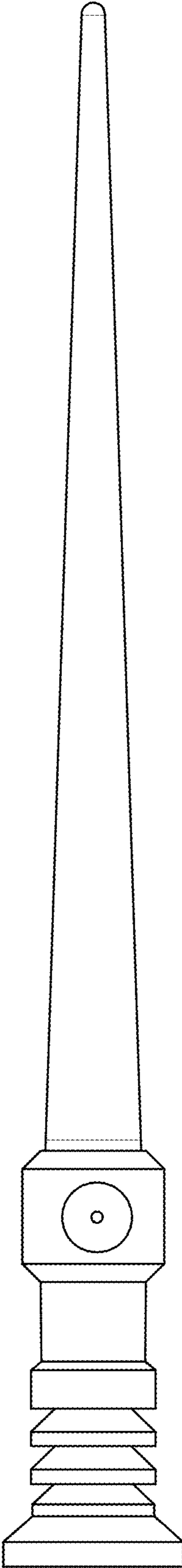


FIG. 4

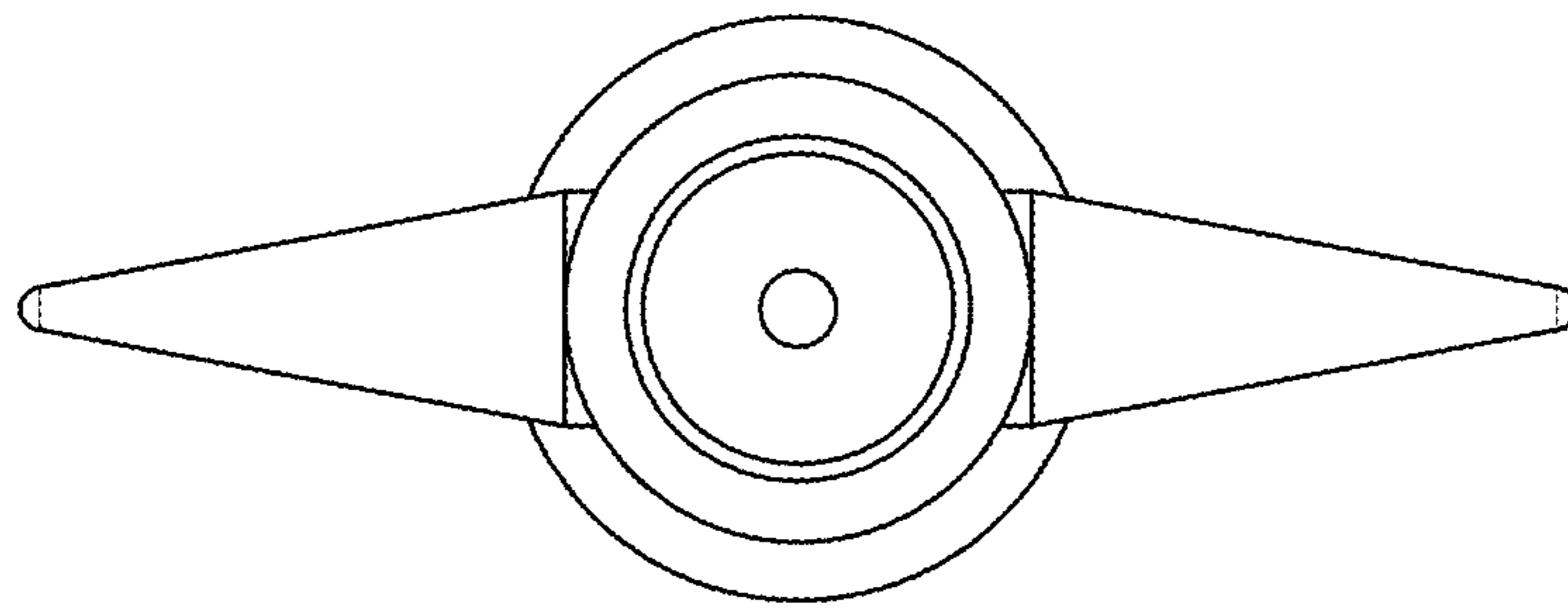


FIG. 5

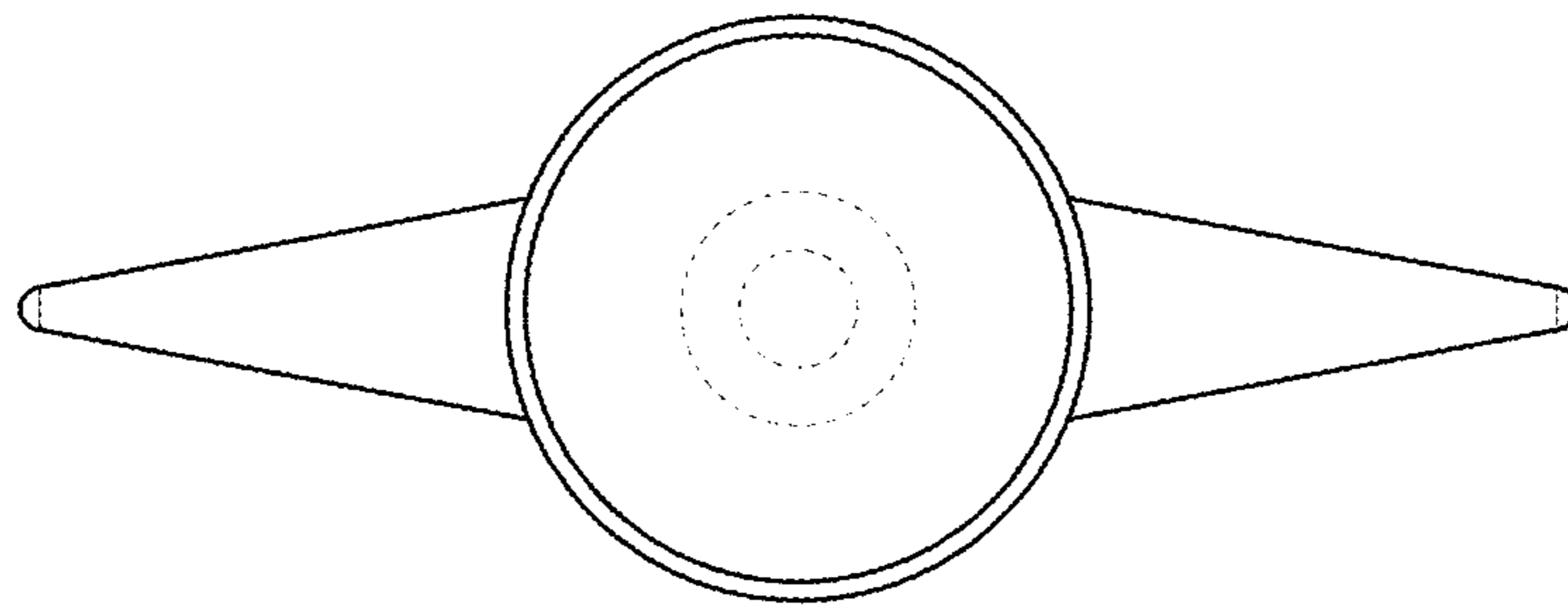


FIG. 6

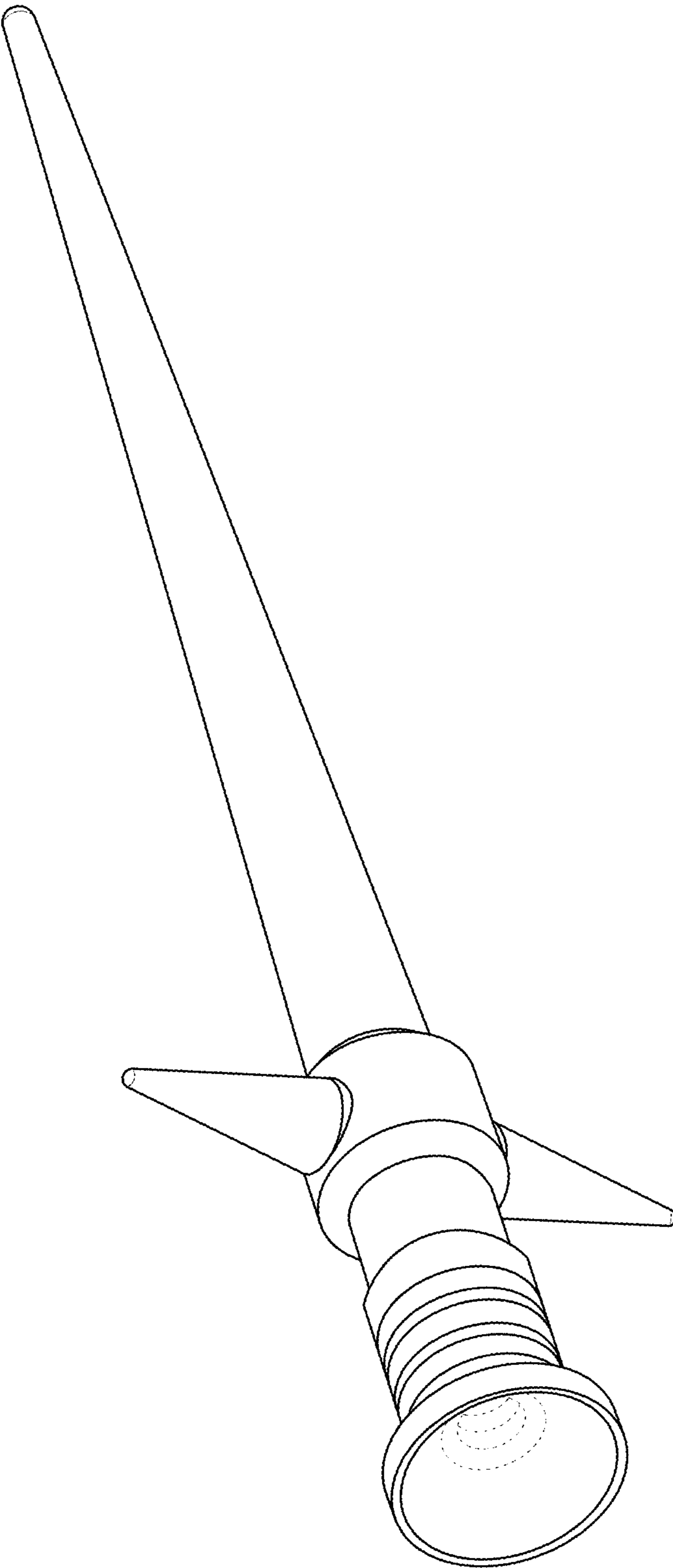


FIG. 7

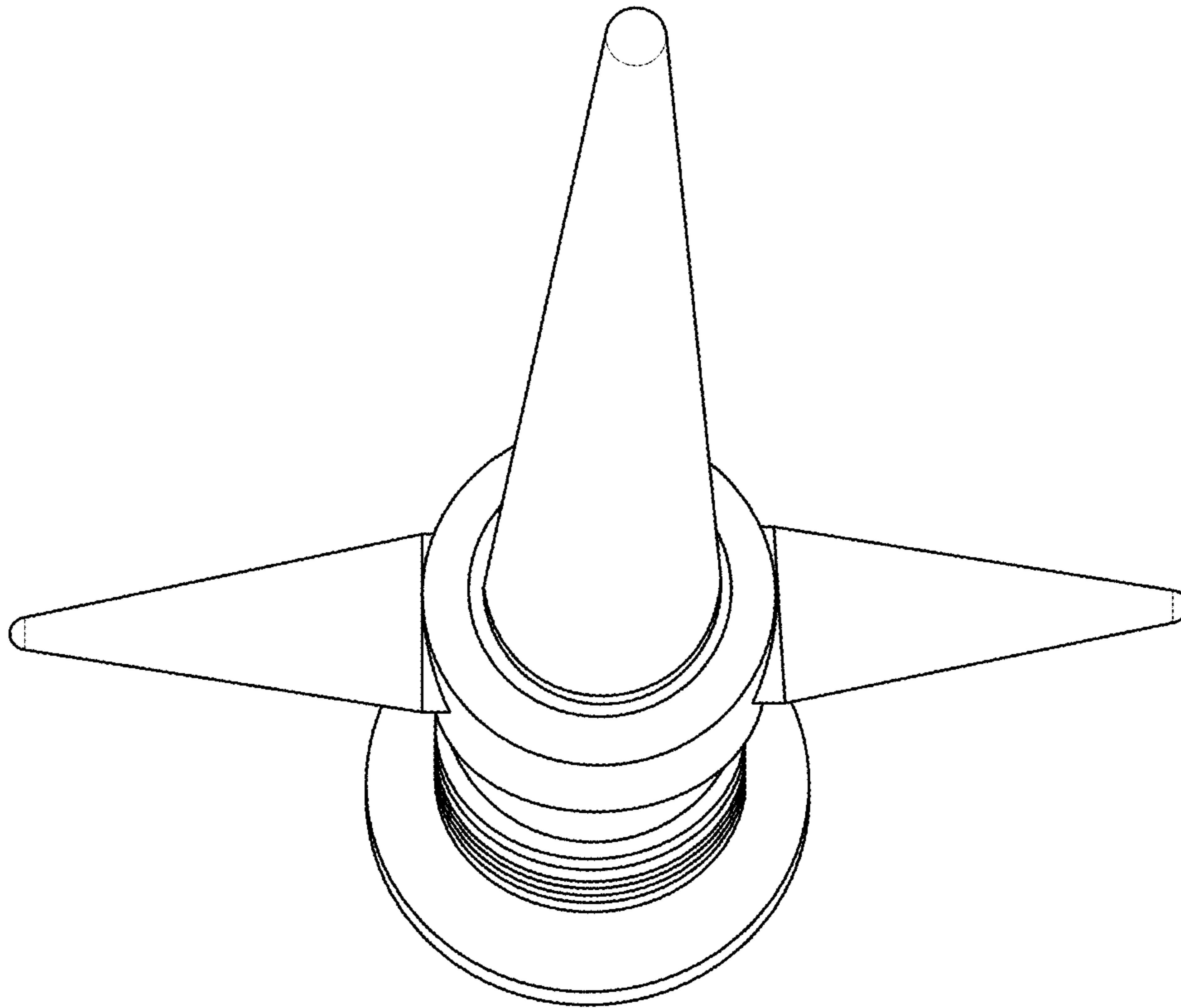


FIG. 8