



US00D923610S

(12) **United States Design Patent**
Bonahoom et al.

(10) **Patent No.:** **US D923,610 S**
(45) **Date of Patent:** **** Jun. 29, 2021**

(54) **WIRELESS EARPHONE**

(71) Applicant: **SAMSUNG ELECTRONICS CO., LTD.**, Suwon-si (KR)

(72) Inventors: **Rhys Bonahoom**, San Francisco, CA (US); **Sean Bornheimer**, San Francisco, CA (US); **Seounghyun Son**, San Francisco, CA (US); **Rob Shook**, San Francisco, CA (US)

(73) Assignee: **SAMSUNG ELECTRONICS CO., LTD.**, Gyeonggi-Do (KR)

(**) Term: **15 Years**

(21) Appl. No.: **29/735,040**

(22) Filed: **May 18, 2020**

Related U.S. Application Data

(62) Division of application No. 29/679,088, filed on Feb. 1, 2019, now Pat. No. Des. 892,086.

(51) **LOC (13) Cl.** **14-01**

(52) **U.S. Cl.**
USPC **D14/223**

(58) **Field of Classification Search**
USPC D14/223, 205; D24/174; 128/864, 865, 128/866; 455/90.3, 575.1, 569.1
CPC H04R 1/10; H04R 25/00; H04R 1/1066; H04R 1/1016; H04R 5/033; H04R 5/0335; H04R 1/105; H04R 1/1091; H04R 1/1083
See application file for complete search history.

(56) **References Cited**

U.S. PATENT DOCUMENTS

D287,764 S 1/1987 Topholm
4,702,238 A * 10/1987 Scott A61F 11/08
128/867
7,120,267 B2 10/2006 Ito et al.

D641,010 S 7/2011 Kwon
D641,011 S 7/2011 Gondo
D654,056 S 2/2012 Hoggarth et al.
D660,292 S 5/2012 Rautiainen
D666,581 S 9/2012 Perez
D668,244 S 10/2012 Matsumura
D697,058 S 1/2014 Thompson et al.

(Continued)

FOREIGN PATENT DOCUMENTS

CN 305638103 3/2020
CN 305670015 3/2020

(Continued)

OTHER PUBLICATIONS

Anker Zolo Liberty Total-Wireless Review. SoundGuys [online]. pp. 1-10 [retrieved on May 1, 2019]. Retrieved from the Internet: <URL: <https://www.soundguys.com/anker-zolo-liberty-total-wireless-review-15389/>>

(Continued)

Primary Examiner — Paula Allen Greene

(74) *Attorney, Agent, or Firm* — Cantor Colburn LLP

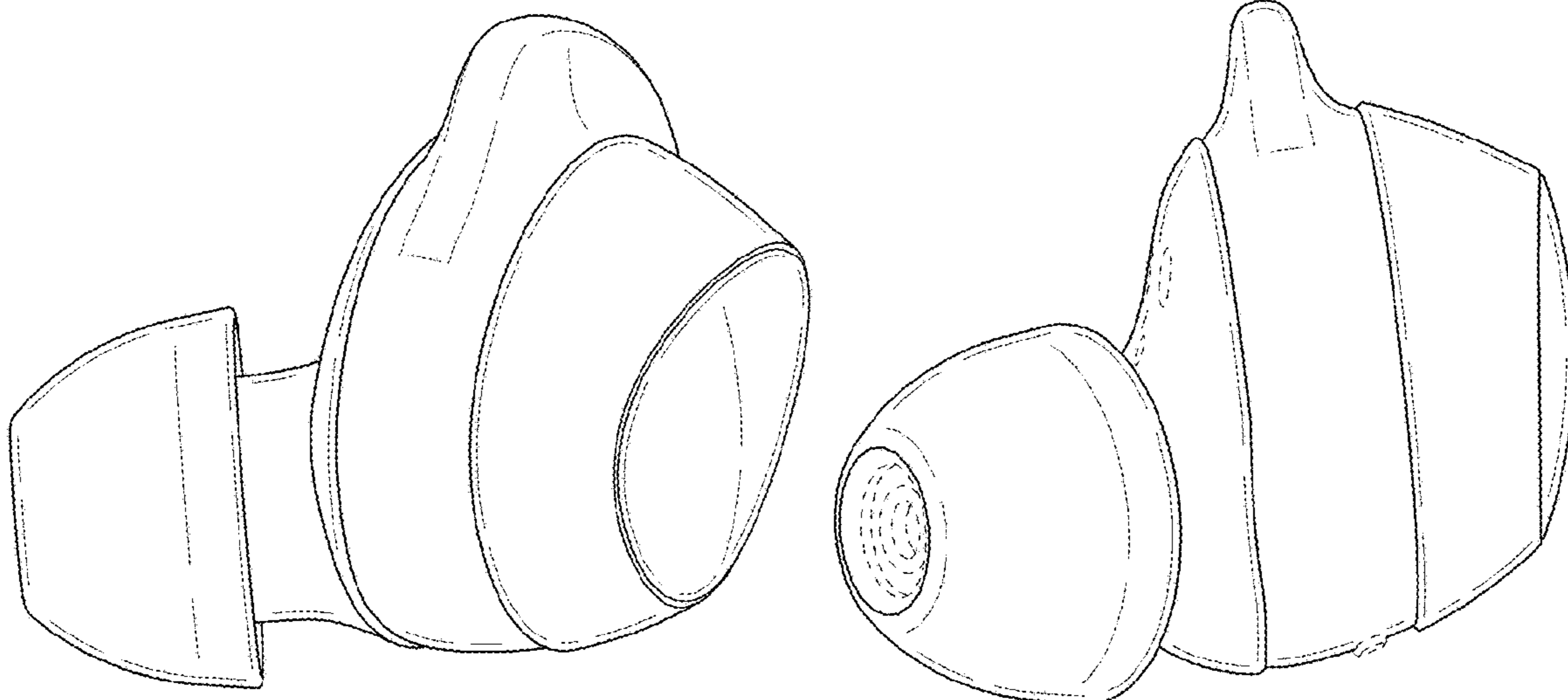
(57) **CLAIM**

We claim the ornamental design for a wireless earphone, as shown and described.

DESCRIPTION

FIG. 1 is a left-side perspective view of a wireless earphone, showing our new design;
FIG. 2 is a front view thereof;
FIG. 3 is a rear view thereof;
FIG. 4 is a left-side view thereof;
FIG. 5 is a right-side view thereof;
FIG. 6 is a top view thereof; and,
FIG. 7 is a bottom view thereof.
The broken lines in the figures depict portions of the wireless earphone that form no part of the claimed design.

1 Claim, 4 Drawing Sheets



(56)

References Cited

U.S. PATENT DOCUMENTS

D711,356 S 8/2014 Yang
 D727,871 S 4/2015 Orbach
 D733,103 S 6/2015 Jeong et al.
 9,055,369 B2 6/2015 Yang
 D735,169 S 7/2015 Shieh
 D740,255 S 10/2015 Samrelius
 D777,710 S 1/2017 Palmborg et al.
 D781,269 S 3/2017 Choe et al.
 D782,997 S 4/2017 Shin et al.
 D782,998 S 4/2017 Shin et al.
 D786,216 S 5/2017 Silva et al.
 D788,079 S 5/2017 Son et al.
 D795,225 S 8/2017 Sumii
 D806,879 S 1/2018 Horbinski et al.
 D810,047 S 2/2018 Tzeng et al.
 D812,042 S 3/2018 Xiao
 D813,205 S 3/2018 Palmborg et al.
 D813,206 S 3/2018 Tang et al.
 D813,848 S 3/2018 Palmborg
 D825,533 S 8/2018 Paschke et al.
 D841,626 S 2/2019 Tang
 D841,627 S 2/2019 Wen
 D843,354 S 3/2019 Kumano
 D845,932 S 4/2019 Lu
 D852,171 S 6/2019 Cai
 D855,589 S 8/2019 Madsen
 D858,488 S 9/2019 Zheng
 D860,975 S 9/2019 Briggs et al.
 D862,422 S 10/2019 Lindenberger
 D864,166 S 10/2019 You
 D864,167 S 10/2019 Wu
 D864,919 S * 10/2019 Bonahoom D14/223
 D868,752 S 12/2019 Zhu
 D871,376 S 12/2019 Zhou
 D872,060 S 1/2020 Briggs et al.
 D872,064 S 1/2020 Cai
 D873,248 S 1/2020 Weicheng et al.
 D873,805 S 1/2020 Yang et al.
 D876,398 S 2/2020 Cai
 D877,720 S 3/2020 Madramotoo et al.
 D877,721 S 3/2020 Jung
 D884,681 S 5/2020 Zhang
 D889,441 S * 7/2020 Lin D14/223

D892,086 S * 8/2020 Bonahoom D14/223
 D896,205 S * 9/2020 Zhang D14/223
 D902,182 S * 11/2020 Wang D14/223
 D902,185 S * 11/2020 Xian D14/223
 D905,664 S * 12/2020 He D14/223
 D908,114 S * 1/2021 Jung D14/223
 D912,016 S * 3/2021 Ando D14/223
 2004/0101151 A1 5/2004 Webber
 2011/0155147 A1 6/2011 McIntosh
 2013/0259286 A1 10/2013 Chung et al.
 2017/0026738 A1 1/2017 Tang
 2020/0186906 A1 * 6/2020 Birch H04R 1/1016
 2020/0374632 A1 * 11/2020 Wang H04R 1/105
 2021/0067859 A1 * 3/2021 Sakane H04R 1/1008

FOREIGN PATENT DOCUMENTS

EM 008028526-0007 * 7/2020
 EM 008150452-0001 * 8/2020

OTHER PUBLICATIONS

ERL wireless earbuds are sweat resistant and cost half the price of the AirPods. [online]. pp. 1-8 [retrieved on May 1, 2019]. Retrieved from the Internet: <URL: <https://www.hardwarezone.com.sg/tech-news-erl-wireless-earbuds-are-sweat-resistant-and-cost-half-price-airpods>.>
 Iskil TWS BS01 Binaural Waterproof Wireless Headphone Bluetooth 4.2. [online]. pp. 1-3 [retrieved on May 1, 2019]. Retrieved from the Internet: <URL: <https://uae.souq.com/ae-en/iskil-tws-bs01-binaural-waterproof-wireless-earphone-mini-headphone-bluetooth-4-2-headset-35421198/i/>.>
 NuForce BE Free5 Wireless Earbuds (Blue). B&H [online]. pp. 1-3 [retrieved on May 1, 2019]. Retrieved from the Internet: <URL: https://www.bhphotovideo.com/c/product/1416165-REG/nuforce_befree5_blue_be_free5_truly_wireless.html.>
 Waterproof Wireless Earbuds—2GO2. [online]. pp. 1-8 [retrieved on May 1, 2019]. Retrieved from the Internet: <URL: https://store2go2.com/products/waterproof-wireless-earbuds?utm_campaign=Pinterest%20Buy%20Button&utm_medium=Social&utm_source=Pinterest&utm_content=pinterest-buy-button-05d890d53-e678-404d-8e00-c8539576eb84.>

* cited by examiner

FIG.1

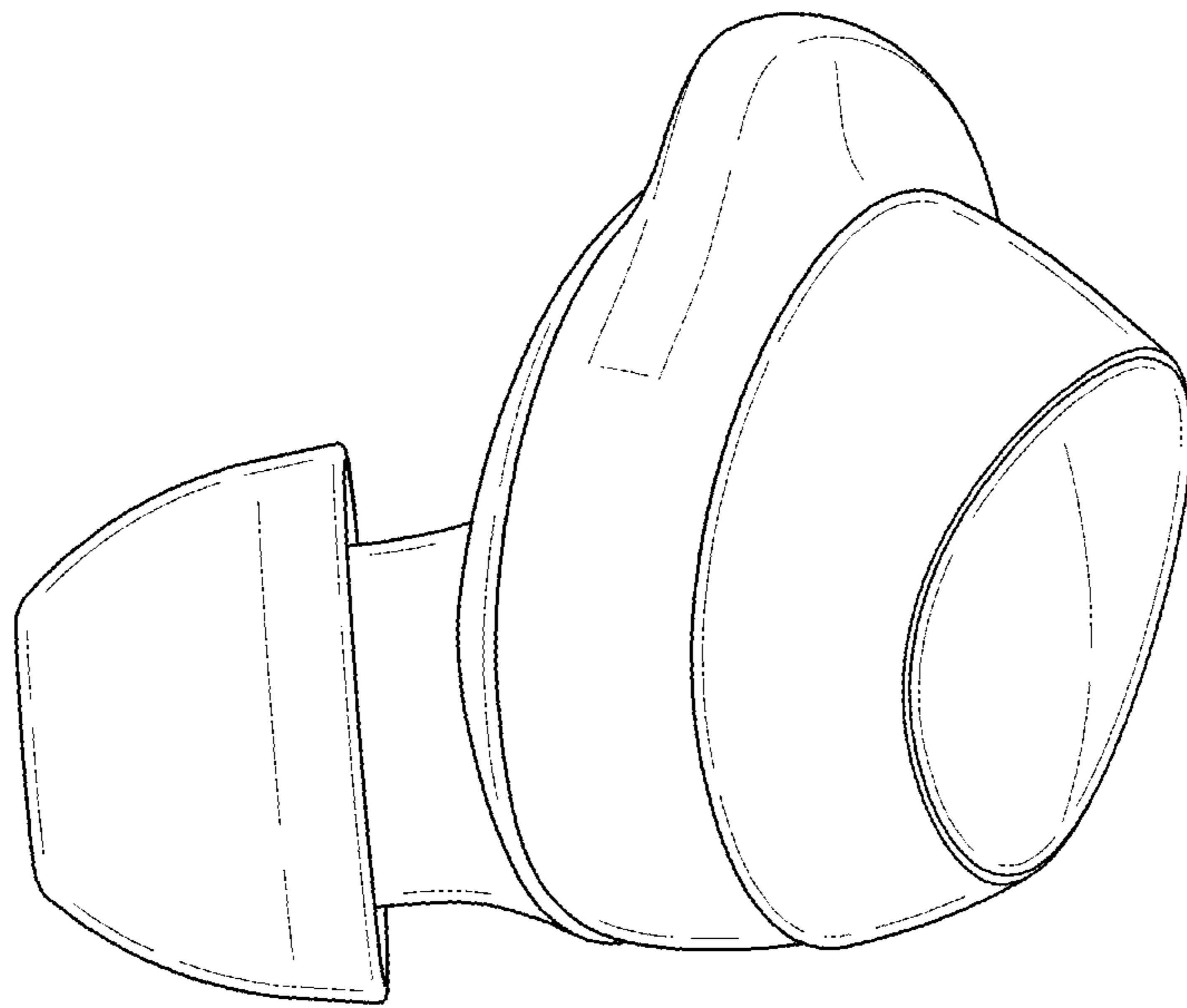


FIG. 2

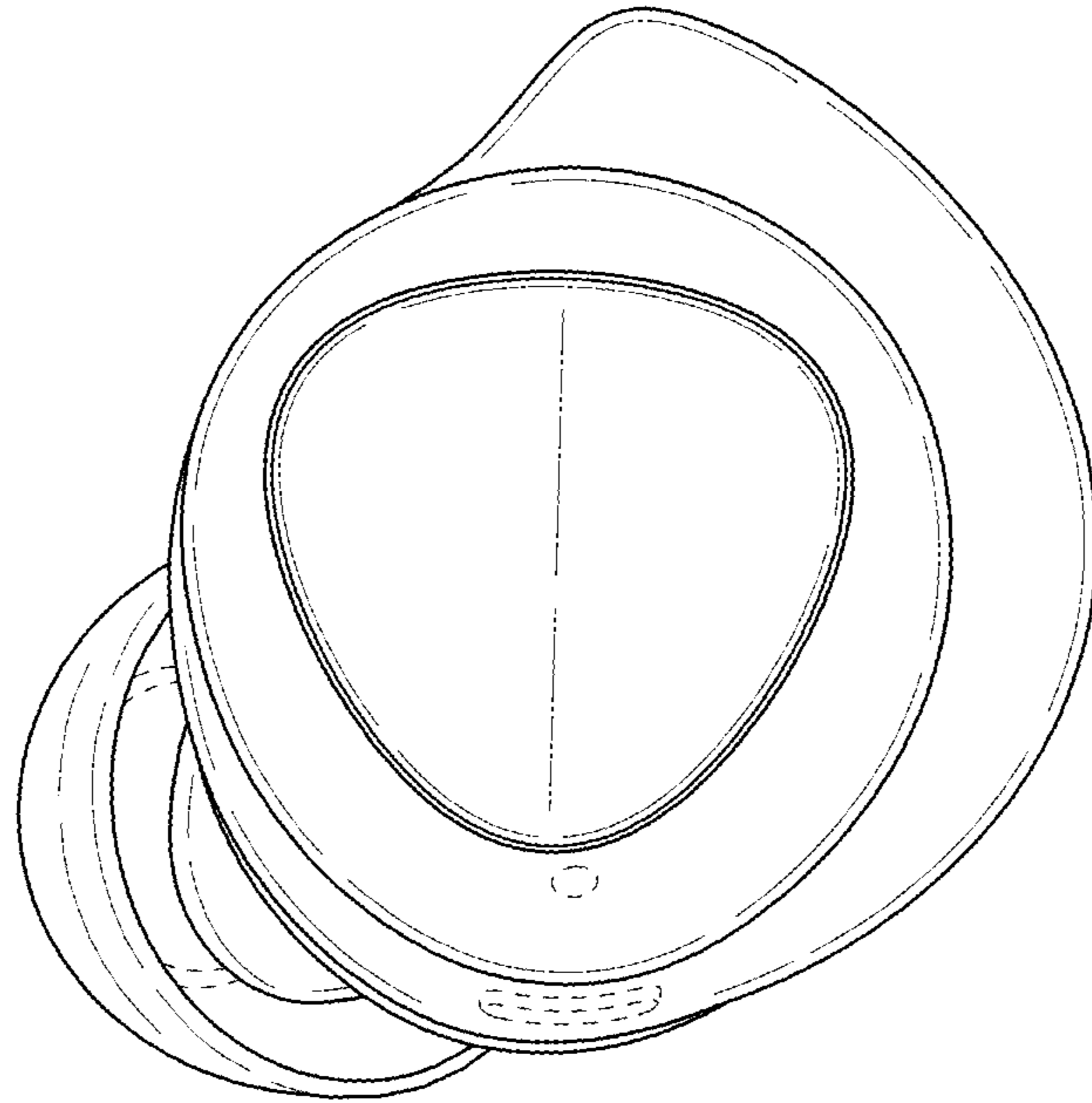


FIG. 3

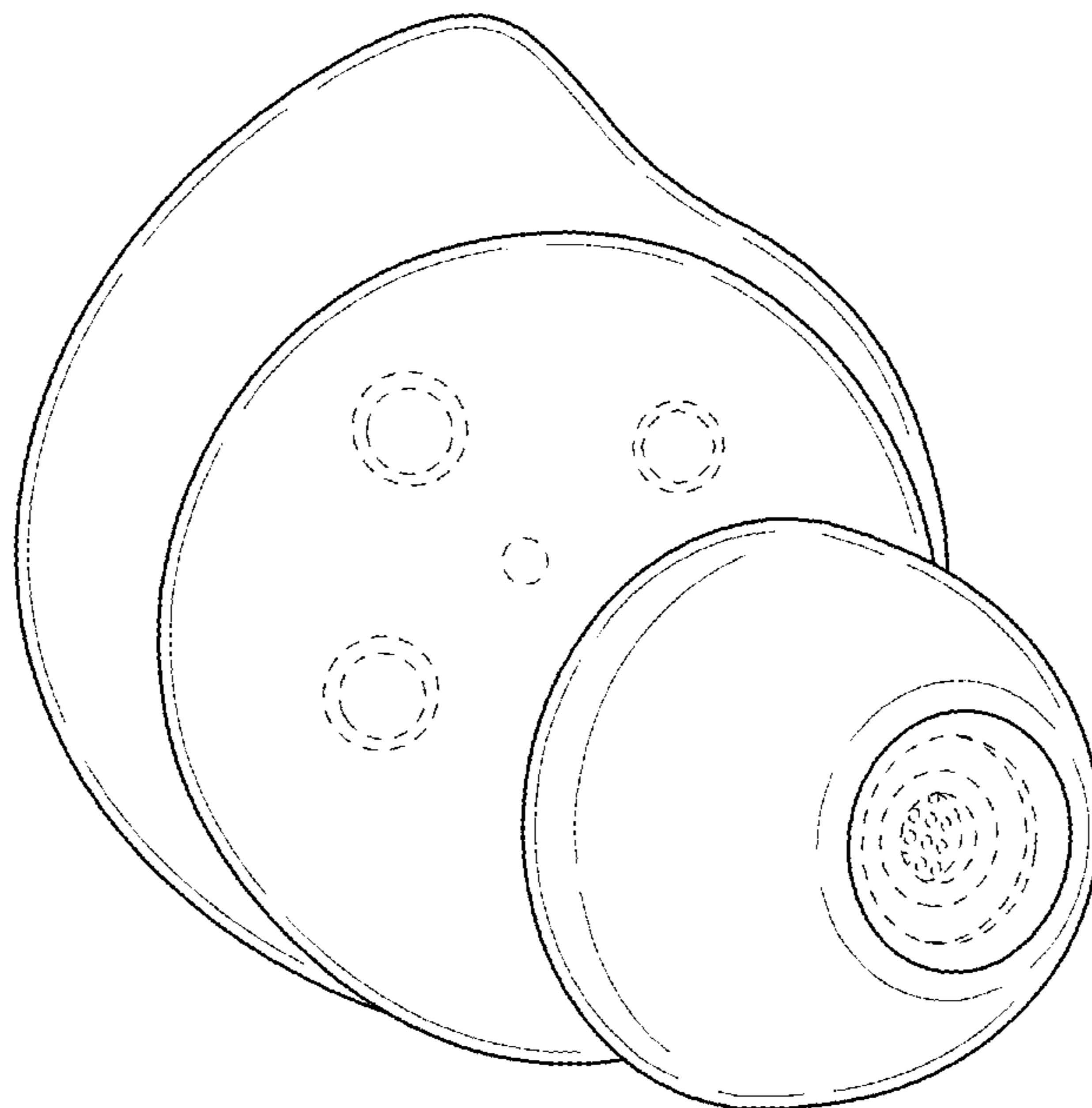


FIG.4

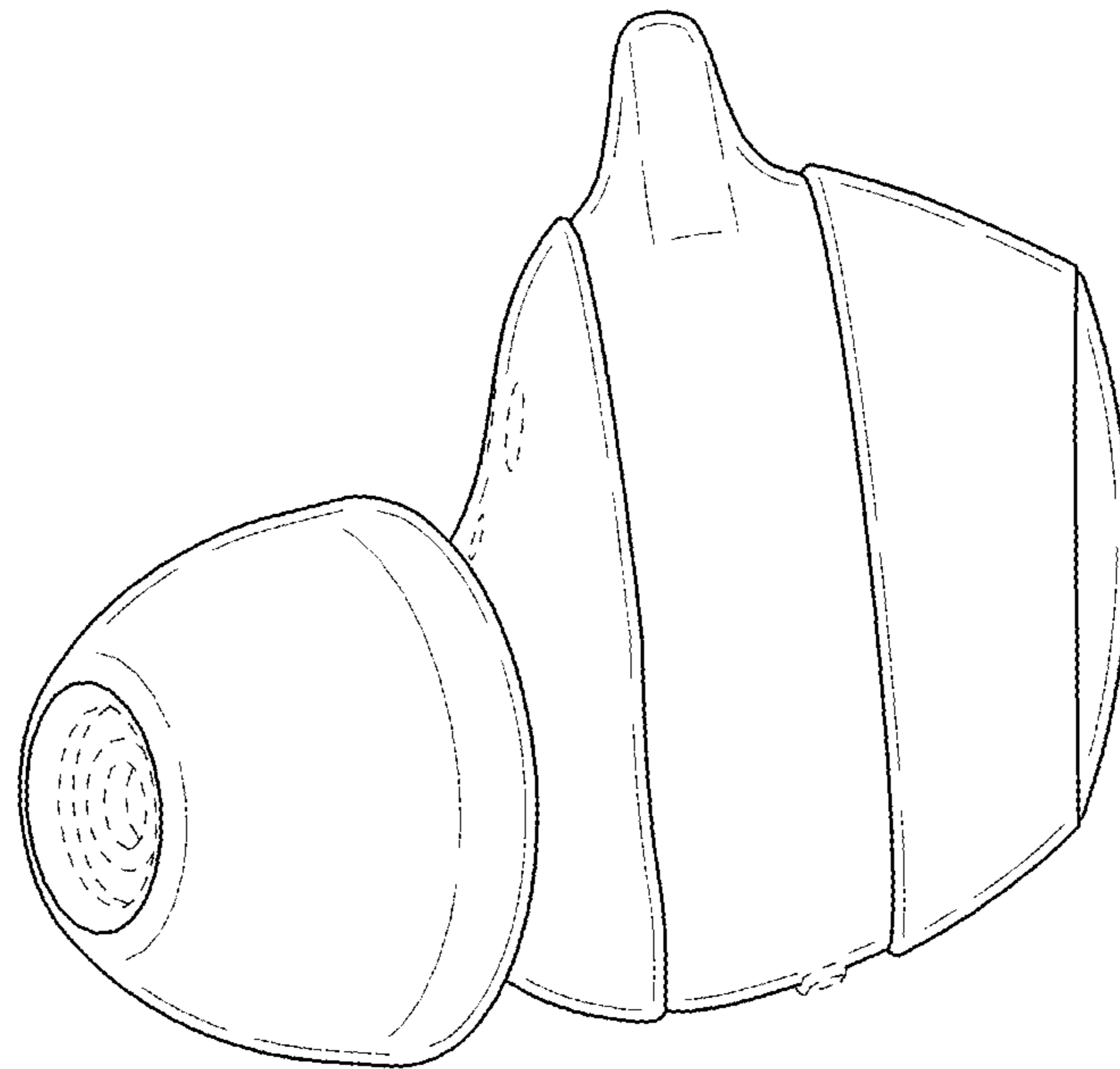


FIG.5

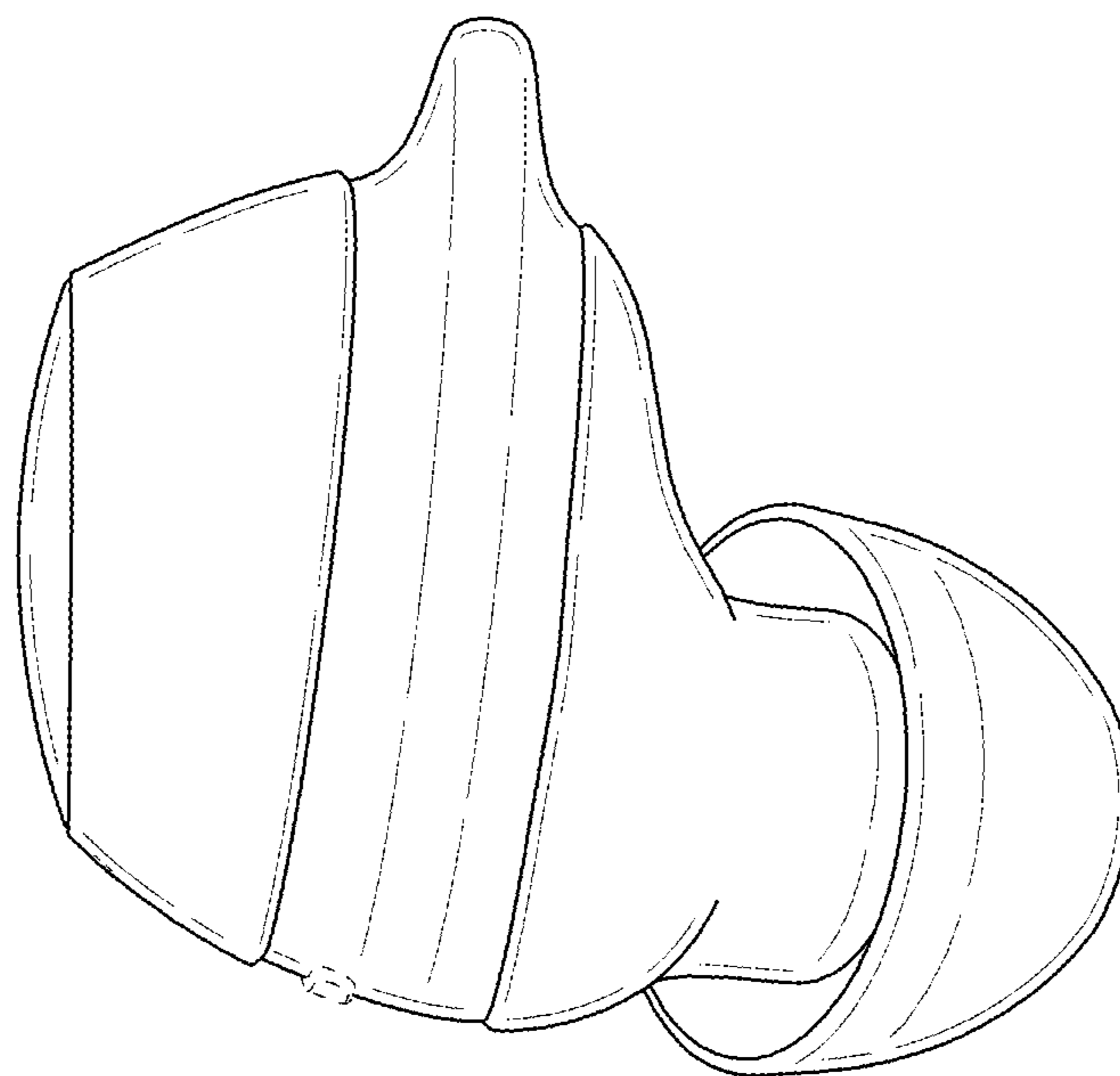


FIG.6

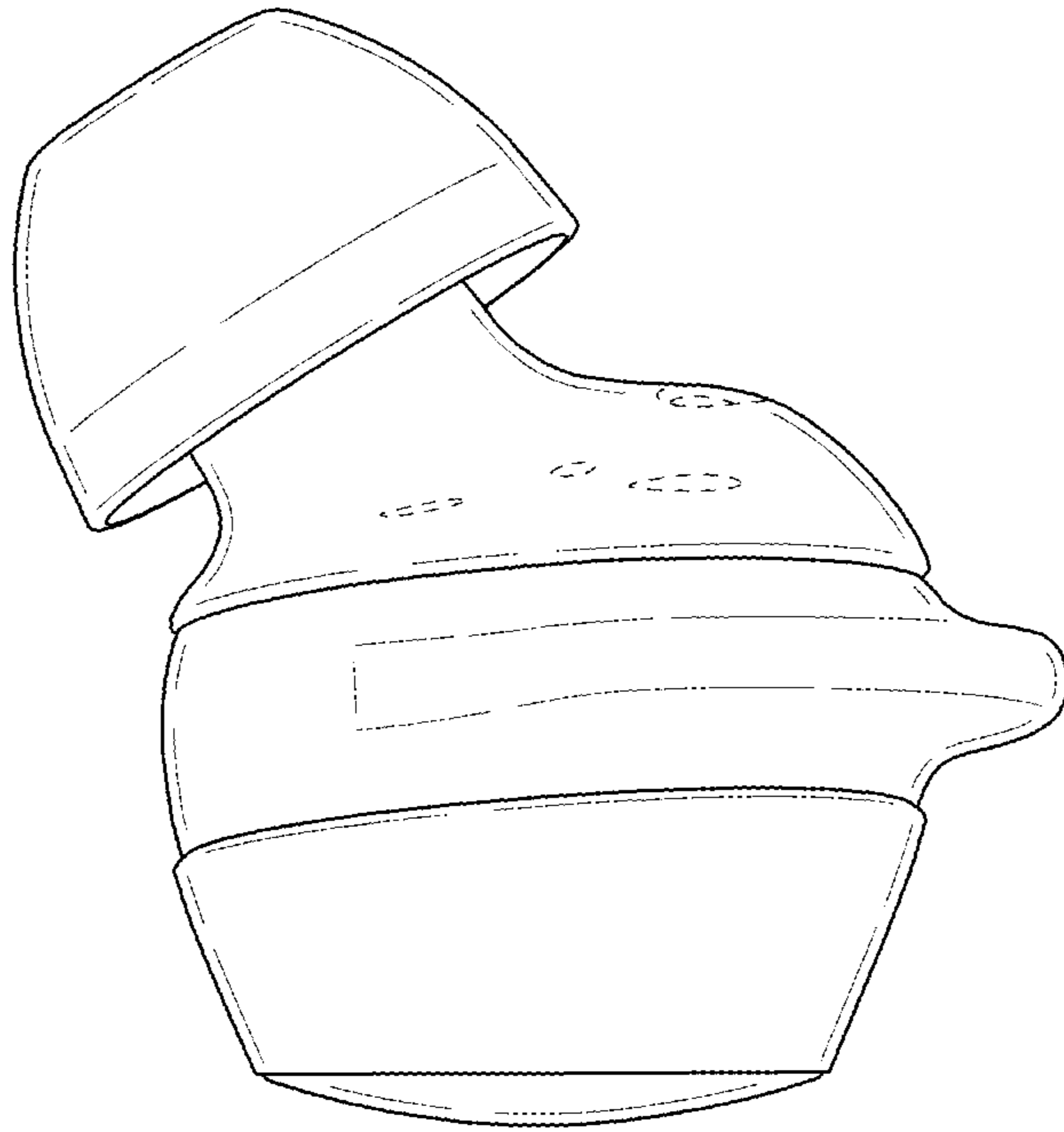


FIG.7

