



US00D923609S

(12) **United States Design Patent**  
**Li**

(10) **Patent No.:** **US D923,609 S**  
(45) **Date of Patent:** **\*\* Jun. 29, 2021**

(54) **EARPHONES AND HOUSING ASSEMBLY**

(71) Applicant: **Feng Li**, Shenzhen (CN)

(72) Inventor: **Feng Li**, Shenzhen (CN)

(\*\*) Term: **15 Years**

(21) Appl. No.: **29/710,060**

(22) Filed: **Oct. 20, 2019**

(51) **LOC (13) Cl.** ..... **14-01**

(52) **U.S. Cl.**  
USPC ..... **D14/223**

(58) **Field of Classification Search**  
USPC ..... D14/223, 205; D13/108; D3/201, 294,  
D3/274, 203.6, 218; D9/721, 432;  
D28/78, 83; 206/320; 220/4.22;  
381/380, 381, 328, 323; 455/90.3, 575.1,  
455/569.1  
CPC ..... H04R 1/10; H04R 25/00; H04R 25/02;  
H04R 5/033; H04R 5/0335; H04R  
1/1066; H04R 1/1016; H02J 7/00; B65D  
25/00

See application file for complete search history.

(56) **References Cited**

**U.S. PATENT DOCUMENTS**

- D506,744 S \* 6/2005 Andre ..... D14/205
- D529,288 S \* 10/2006 Ham ..... D3/294
- D554,109 S \* 10/2007 Ledbetter ..... D14/223
- D555,152 S \* 11/2007 Wang ..... D14/223
- D572,242 S \* 7/2008 Yang ..... D14/205
- D604,501 S \* 11/2009 Lee ..... D3/201
- D621,256 S \* 8/2010 Andre ..... D9/432
- D681,015 S \* 4/2013 Akana ..... H04R 1/10  
D14/223
- D686,065 S \* 7/2013 Kuo ..... D9/432
- D694,182 S \* 11/2013 Lee ..... D13/108
- D705,532 S \* 5/2014 Kolton ..... D3/201
- D706,643 S \* 6/2014 Akana ..... D9/721
- D709,758 S \* 7/2014 Burdock-Latter ..... D9/418
- D722,264 S \* 2/2015 Saideh ..... D9/432

- D772,572 S \* 11/2016 Palmborg ..... D3/294
- D778,156 S \* 2/2017 Follett ..... D9/432
- D794,955 S \* 8/2017 Paterson ..... D3/294
- D801,314 S \* 10/2017 Akana ..... D14/223
- D804,806 S \* 12/2017 Stueckemann ..... D3/203.2
- D806,388 S \* 1/2018 Akana ..... D3/294

(Continued)

**FOREIGN PATENT DOCUMENTS**

EM 008312359-0001 \* 12/2020

*Primary Examiner* — Paula Allen Greene

(74) *Attorney, Agent, or Firm* — Law Offices of Steven W. Weinrieb

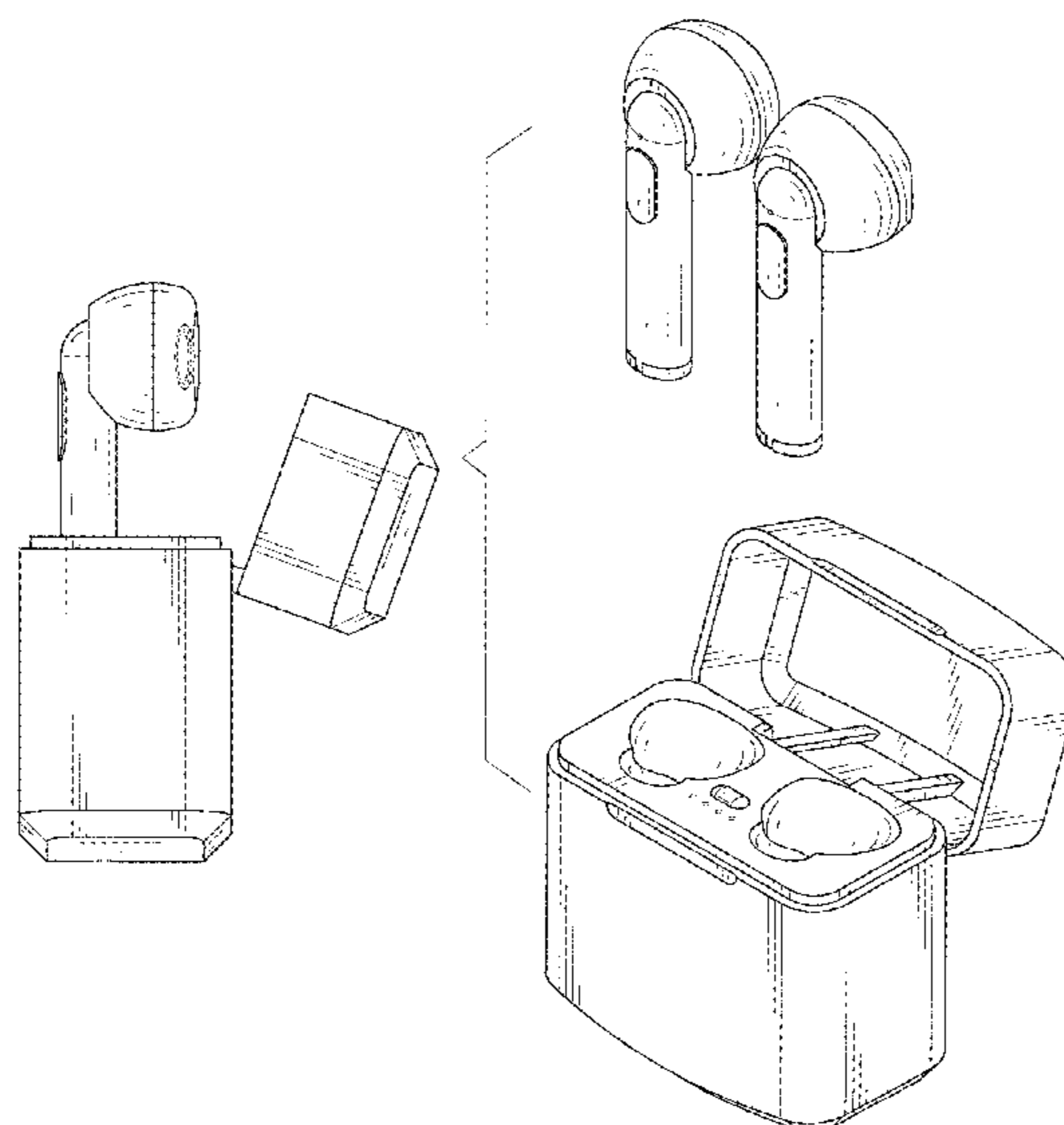
(57) **CLAIM**

The ornamental design for an earphones and housing assembly, as shown and described.

**DESCRIPTION**

FIG. 1 is a front, right side, top perspective view of the earphones and housing assembly showing my new design; FIG. 2 is a rear left side, bottom perspective view thereof; FIG. 3 is a front elevational view thereof; FIG. 4 is a rear elevational view thereof; FIG. 5 is a left side elevational view thereof; FIG. 6 is a right side elevational view thereof; FIG. 7 is a top plan view thereof; FIG. 8 is a bottom plan view thereof; FIG. 9 is a front, right side, top perspective view of the earphones and housing assembly when the earphones have been removed from the housing in preparation to be used; and, FIG. 10 is a front, right side, top perspective view of the earphones and housing assembly when it is closed. The broken lines immediately adjacent to the claimed portions are boundaries, all other broken lines are environmental structures; all the broken lines form no part of the claimed design.

**1 Claim, 10 Drawing Sheets**



(56)

References Cited

U.S. PATENT DOCUMENTS

D809,477 S *	2/2018	Brunner	.....	H04R 1/1008	D881,572 S *	4/2020	Wang	.....	D3/294
				D14/205	D893,185 S *	8/2020	Liu	.....	D3/294
D811,745 S *	3/2018	Davi	.....	D3/294	D896,788 S *	9/2020	Akana	.....	D14/223
D818,268 S *	5/2018	Akana	.....	D3/294	D897,678 S *	10/2020	Koh	.....	D3/294
9,961,433 B2 *	5/2018	Chawan	.....	H02J 7/025	D897,997 S *	10/2020	Zhang	.....	D14/223
D820,809 S *	6/2018	Akana	.....	D14/205	D900,065 S *	10/2020	Distefano	.....	D14/223
D823,246 S *	7/2018	Lin	.....	D13/108	D904,023 S *	12/2020	Wang	.....	D3/294
D830,336 S *	10/2018	Cai	.....	D14/205	D905,017 S *	12/2020	Chen	.....	D14/223
D838,480 S *	1/2019	Son	.....	D3/294	D906,299 S *	12/2020	Luo	.....	D14/223
D839,583 S *	2/2019	Cao	.....	D3/201	D907,009 S *	1/2021	Akana	.....	D14/223
D841,580 S *	2/2019	Bao	.....	D13/108	D907,363 S *	1/2021	Distefano	.....	D3/294
D841,581 S *	2/2019	Bonahoom	.....	D13/108	D907,607 S *	1/2021	Deng	.....	D14/223
D844,969 S *	4/2019	Xiao	.....	D3/201	D908,665 S *	1/2021	Wen	.....	D14/223
D845,932 S *	4/2019	Lu	.....	D14/223	D910,553 S *	2/2021	Cramer	.....	D13/108
D847,794 S *	5/2019	Guo	.....	D14/223	D910,601 S *	2/2021	Hu	.....	D14/223
D848,982 S *	5/2019	Kim	.....	D14/223	2012/0237074 A1 *	9/2012	Aase	.....	H04R 1/1075
D848,983 S *	5/2019	Kim	.....	D14/223					381/380
D849,401 S *	5/2019	Akana	.....	D3/274	2013/0004011 A1 *	1/2013	Hayashida	.....	H04R 1/345
D853,116 S *	7/2019	Bergman	.....	D3/294					381/380
					2017/0164087 A1 *	6/2017	Kurtz	.....	H04R 1/105
					2019/0373354 A1 *	12/2019	Sondergaard	.....	H01R 13/562
					2020/0304896 A1 *	9/2020	Cohen	.....	H04R 1/1016

\* cited by examiner

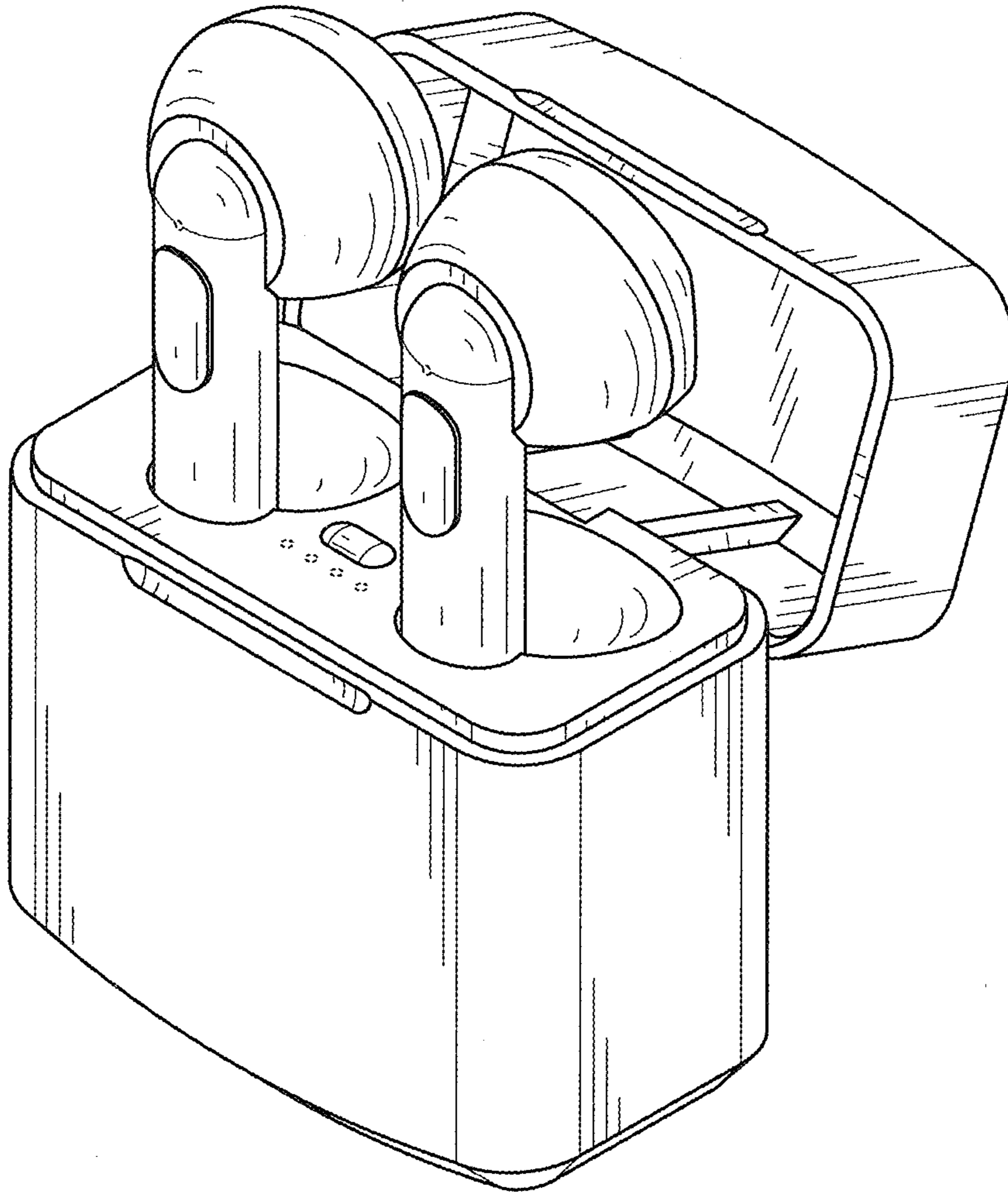


FIG. 1

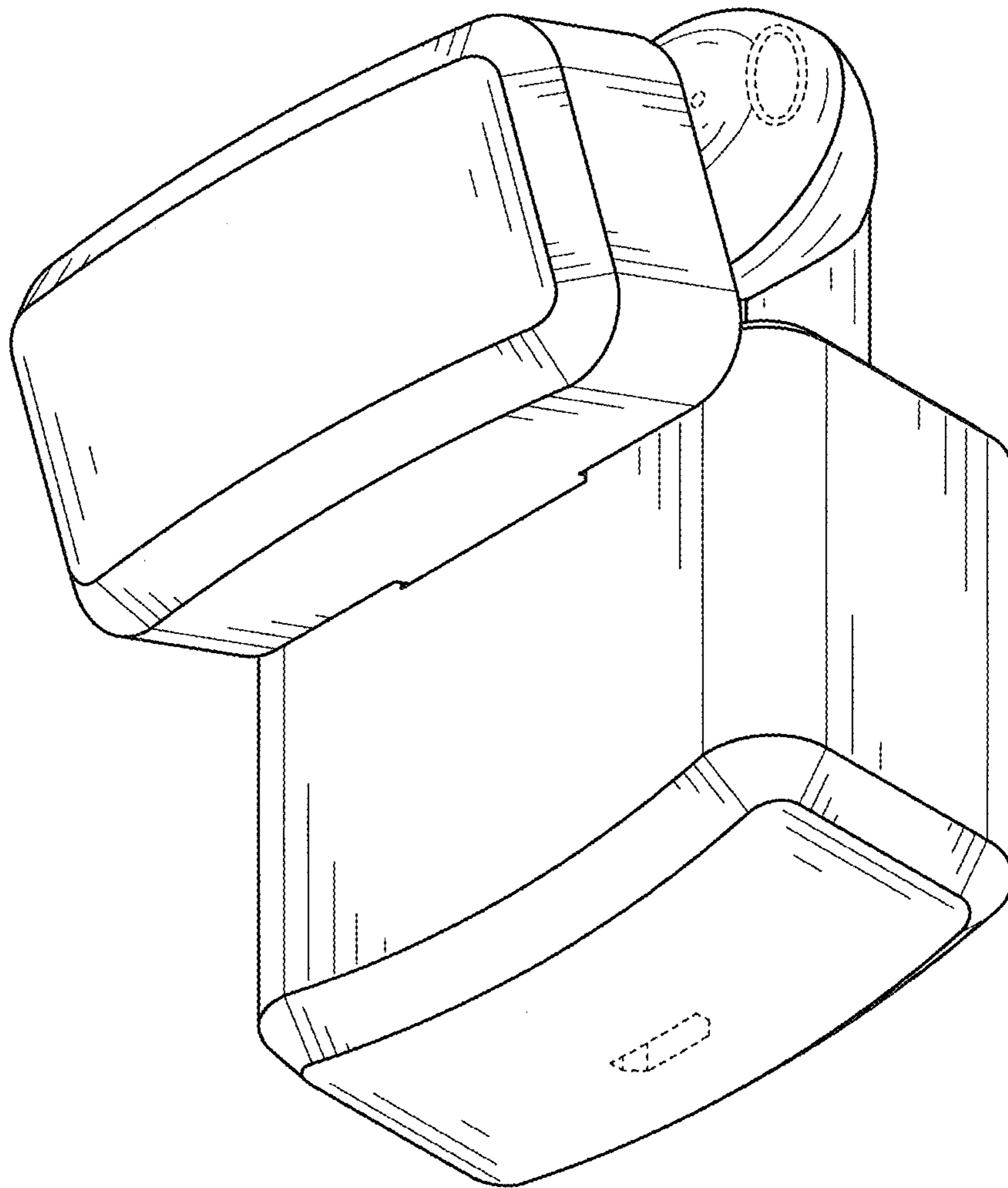


FIG. 2

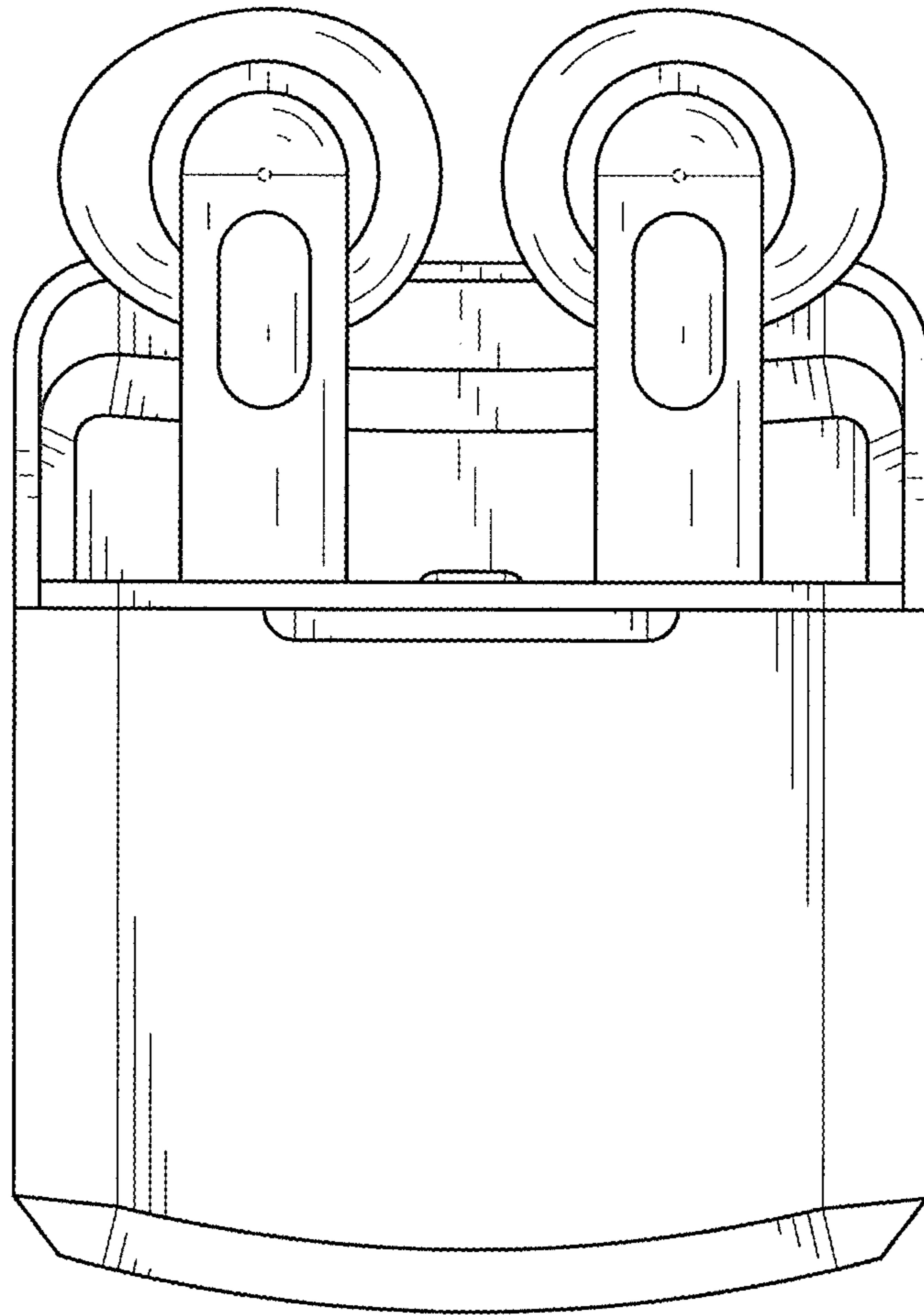


FIG. 3

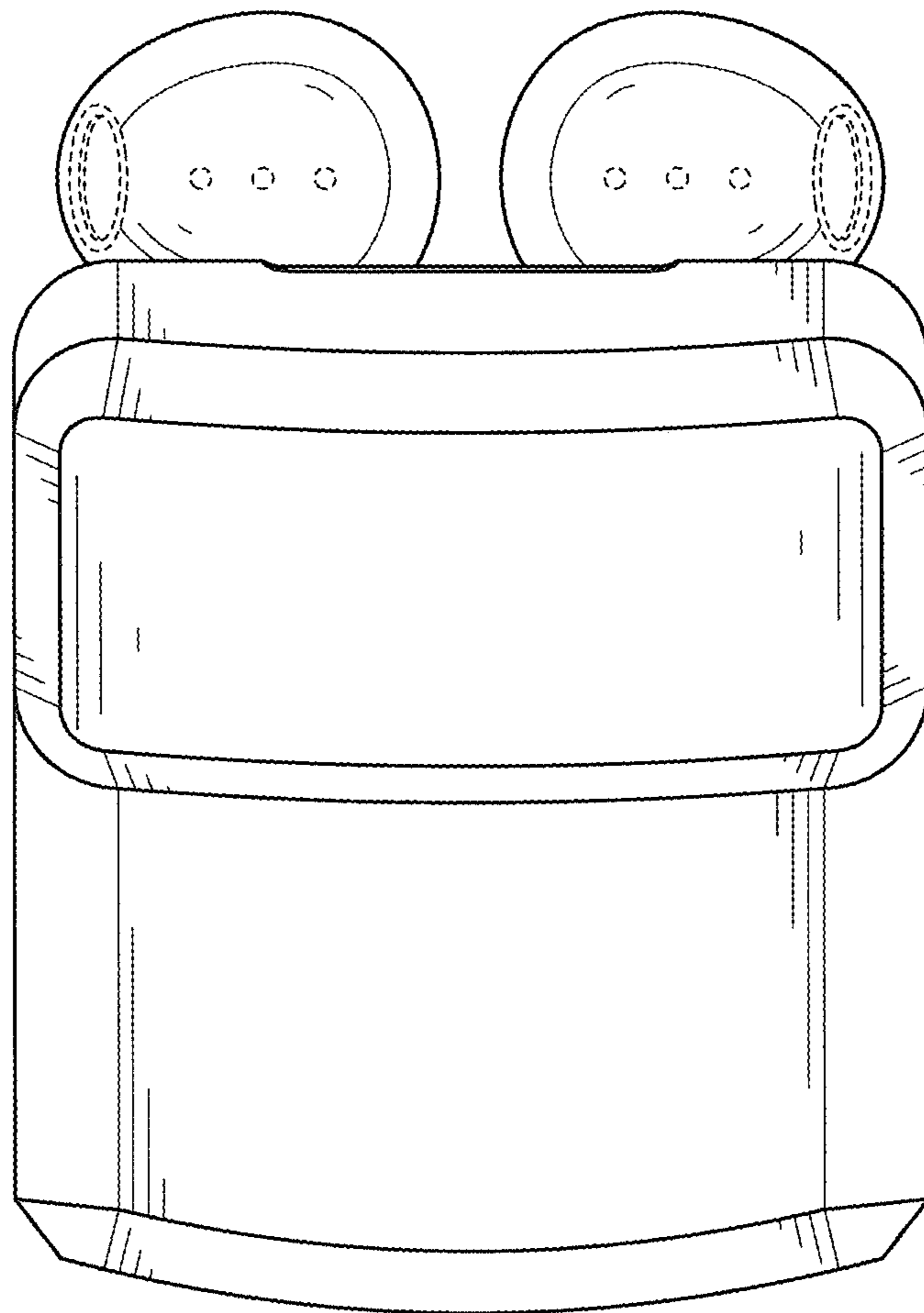


FIG. 4

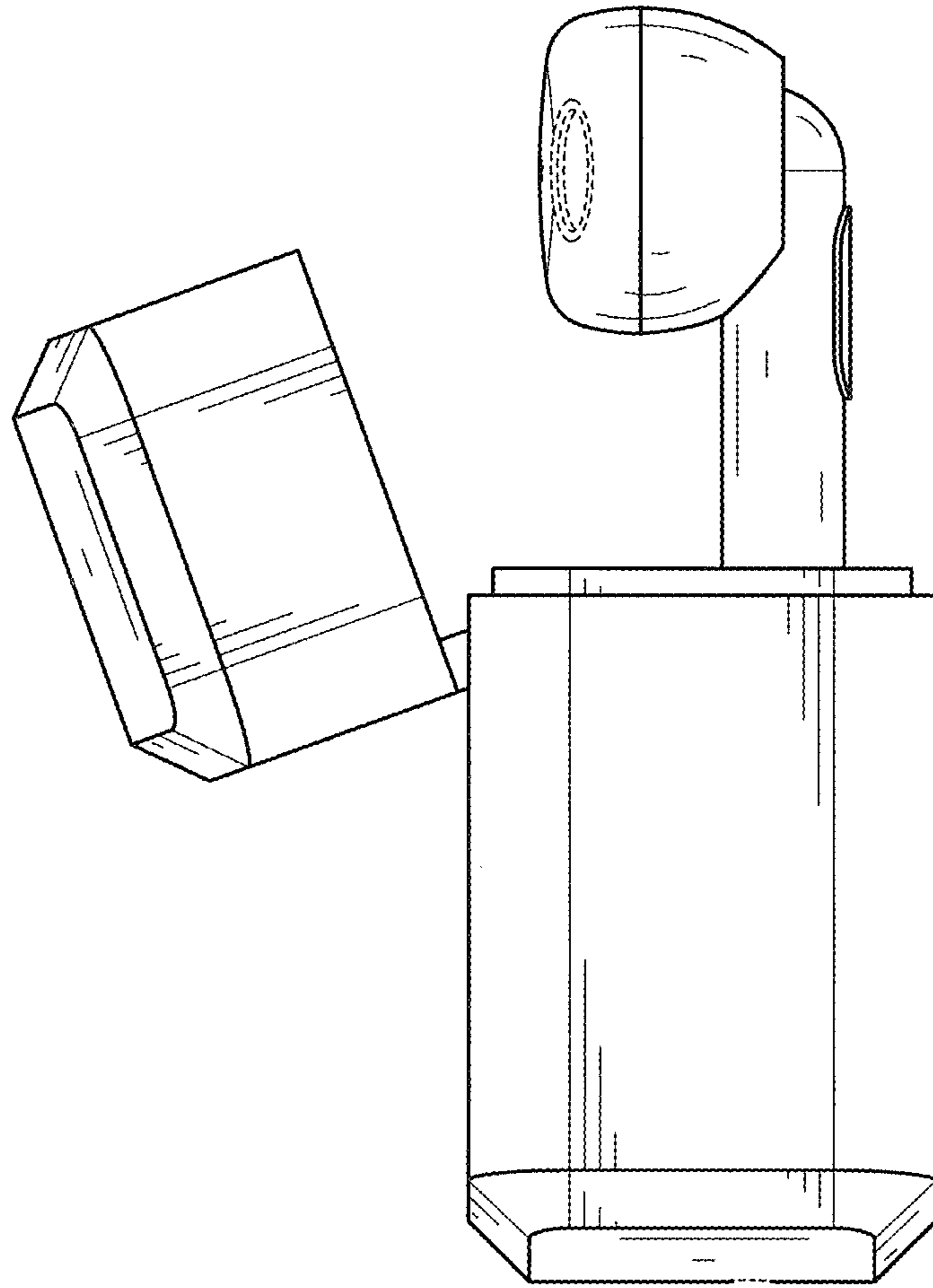


FIG. 5

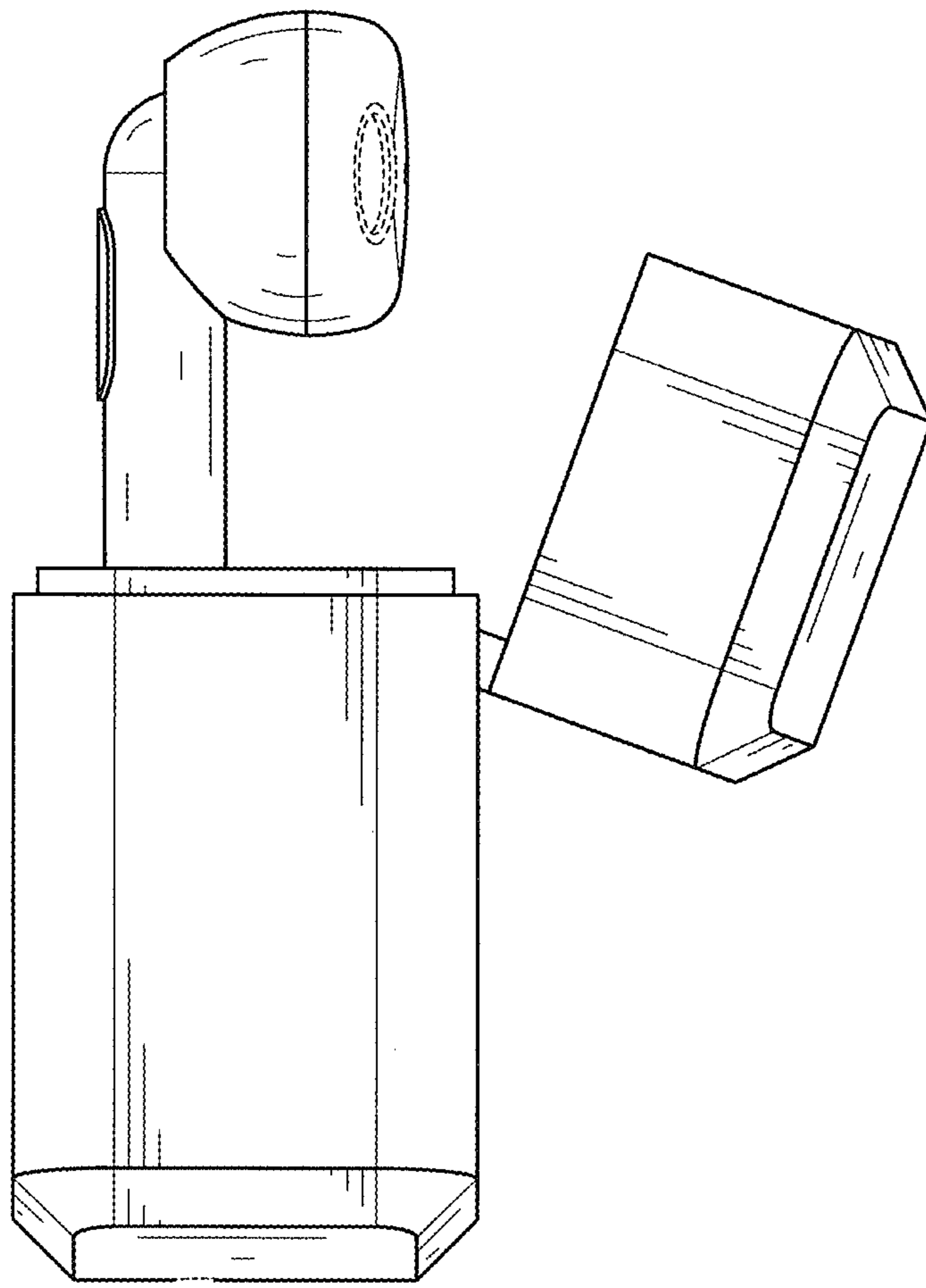


FIG. 6



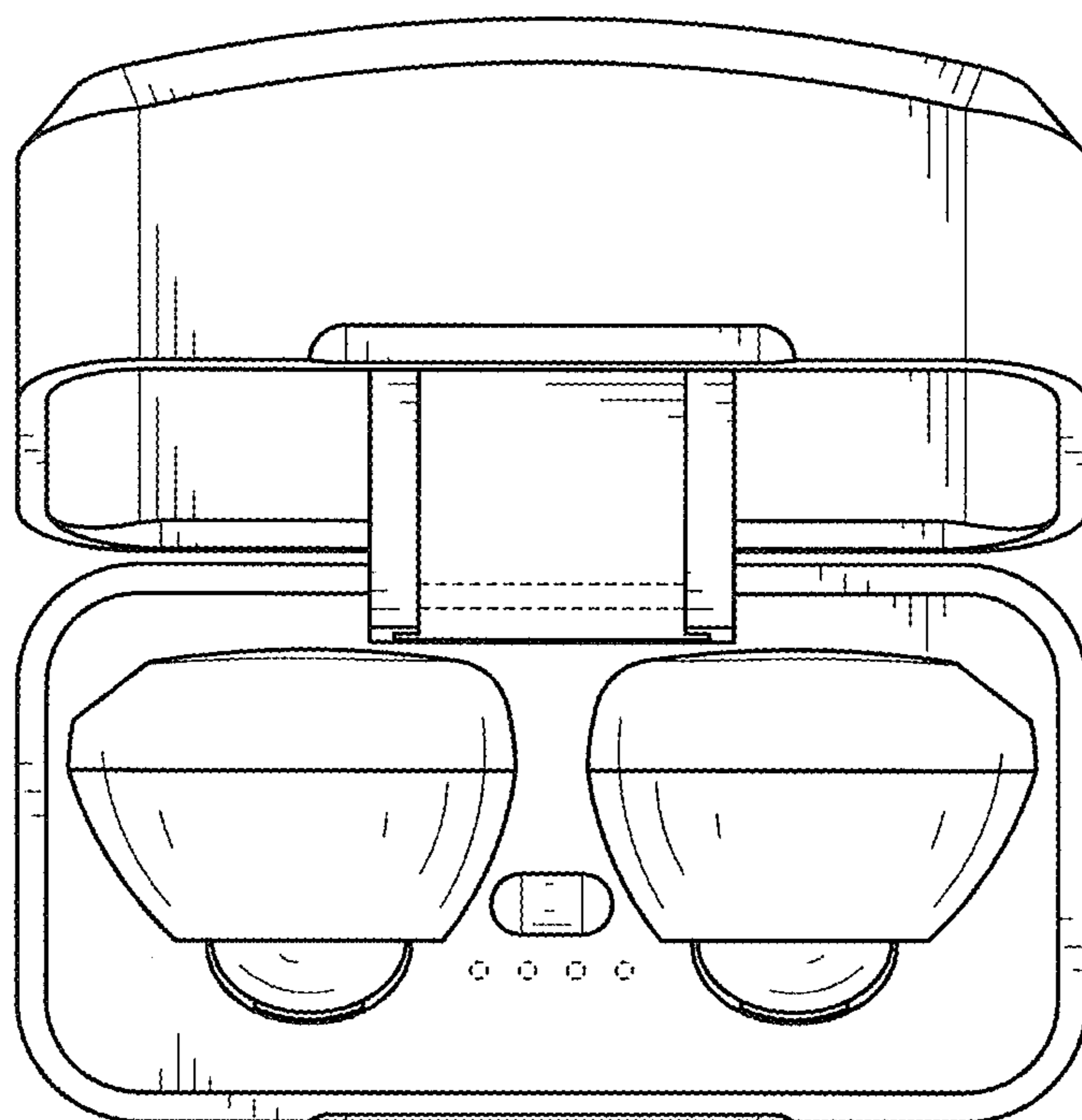


FIG. 7

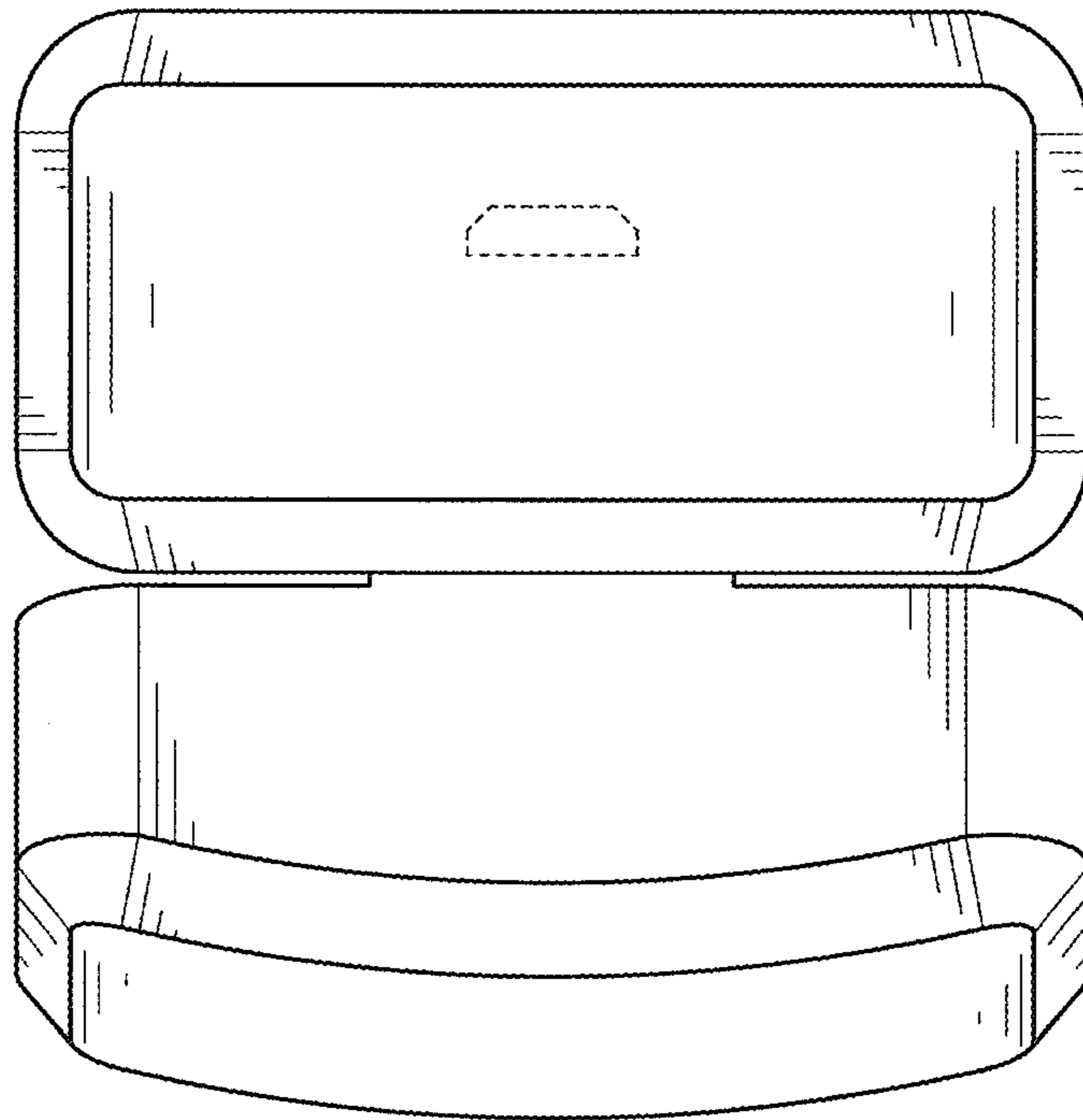


FIG. 8

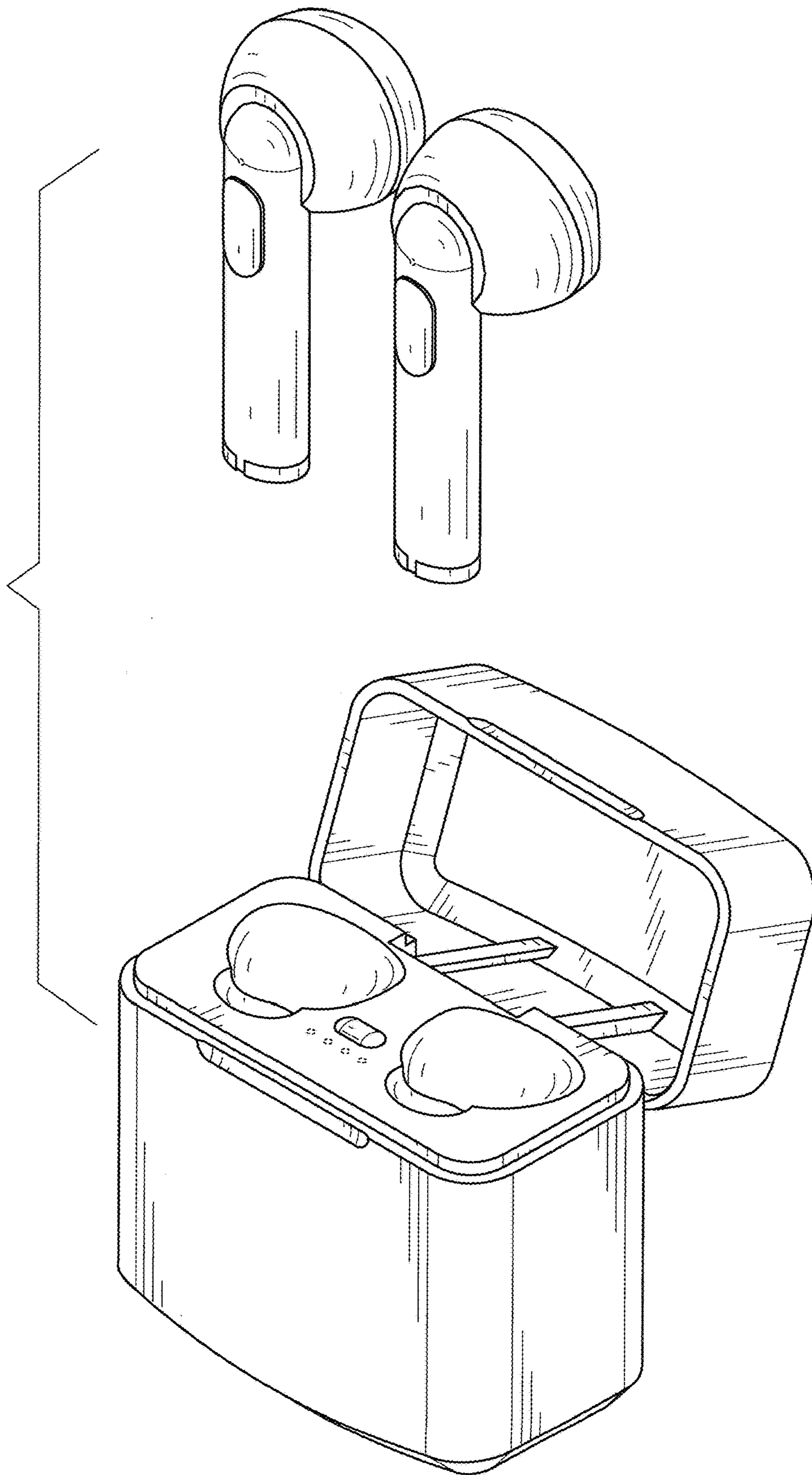


FIG. 9

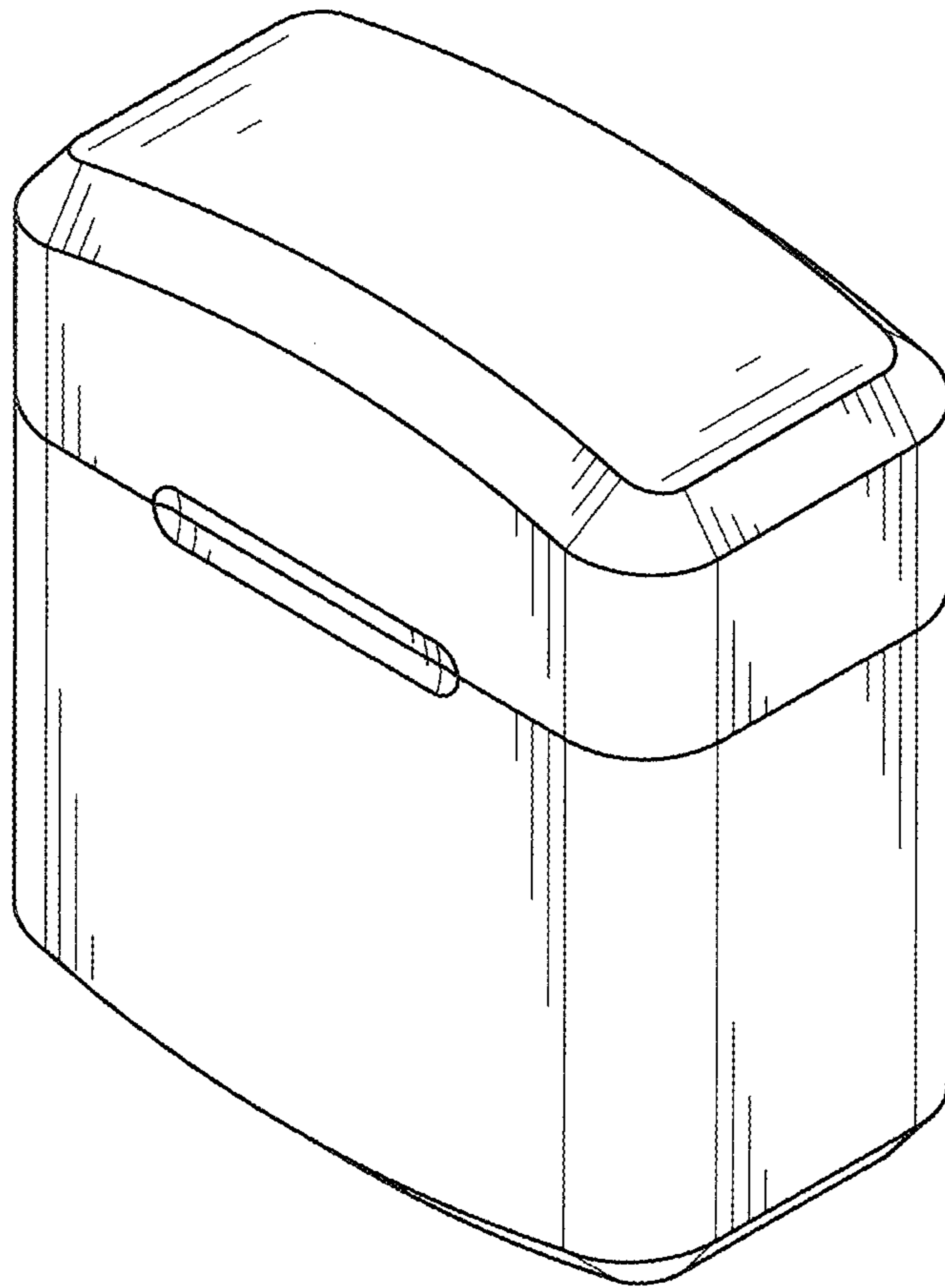


FIG. 10