



US00D923603S

(12) **United States Design Patent**  
**Ming**

(10) **Patent No.:** **US D923,603 S**

(45) **Date of Patent:** **\*\* Jun. 29, 2021**

(54) **LOUDSPEAKER**

(71) Applicant: **Hui Ming**, Shenzhen (CN)

(72) Inventor: **Hui Ming**, Shenzhen (CN)

(\*\*) Term: **15 Years**

(21) Appl. No.: **29/712,767**

(22) Filed: **Nov. 12, 2019**

(51) **LOC (13) Cl.** ..... **14-01**

(52) **U.S. Cl.**

USPC ..... **D14/214**

(58) **Field of Classification Search**

USPC ..... D14/209–219, 167–168, 170–172, 188,  
D14/199, 194–196, 204, 221–222, 224,  
D14/496, 265; D21/516, 513

CPC ..... H04R 1/02; H04R 1/021; H04R 1/023;  
H04R 5/00; H04R 9/06; H04R 2420/07

See application file for complete search history.

(56) **References Cited**

**U.S. PATENT DOCUMENTS**

3,132,712	A	*	5/1964	Maddy	.....	H04R 1/288 181/151
D313,021	S	*	12/1990	Ehrmann	.....	D14/195
D692,848	S	*	11/2013	Poandl	.....	D14/172
D710,328	S	*	8/2014	Kim	.....	D14/214
D710,824	S	*	8/2014	Mackiewicz	.....	D14/214
D718,739	S	*	12/2014	DiTullo	.....	D14/214
D751,526	S	*	3/2016	Habraken	.....	D14/204
D755,160	S	*	5/2016	Ponce	.....	D14/214
D758,344	S	*	6/2016	Nakamura	.....	D14/214
D786,218	S	*	5/2017	Tan	.....	D14/215
D786,828	S	*	5/2017	Hua	.....	D14/214
D788,073	S	*	5/2017	Silvera	.....	D14/214
9,848,255	B1	*	12/2017	Brown	.....	H04R 1/023
D826,206	S	*	8/2018	Elmieh	.....	D14/204
D844,587	S	*	4/2019	Lu	.....	D14/214
D886,792	S	*	6/2020	Kouthoofd	.....	D14/204

D886,794	S	*	6/2020	Johnson	.....	D14/204
D894,161	S	*	8/2020	Ye	.....	D14/225
D901,661	S	*	11/2020	Riegelsberger	.....	D23/364

**OTHER PUBLICATIONS**

Giocy Voice Amplifier, first available Mar. 15, 2019, amazon.com, [online], [site visited Nov. 24, 2020], Available from internet URL: [https://www.amazon.com/Giocy-Amplifier-Bluetooth-Rechargeable-Locations/dp/B07PRF5WKB/ref=sr\\_1\\_830?dchild=1&keywords=speaker&qid=160%E2%80%A6](https://www.amazon.com/Giocy-Amplifier-Bluetooth-Rechargeable-Locations/dp/B07PRF5WKB/ref=sr_1_830?dchild=1&keywords=speaker&qid=160%E2%80%A6) (Year: 2019).\*

Voice Amplifier MAONO, first available Jun. 16, 2017, amazon.com, [online], [site visited Nov. 24, 2020], Available from internet URL: [https://www.amazon.com/dp/B071H2PDHN/ref=sspa\\_dk\\_detail\\_8?psc=1&pd\\_rd\\_i=B071H2PDHN&pd\\_rd\\_w=DQGU&pf\\_rd\\_p=7d37a48b-2b1a-4373%E2%80%A6](https://www.amazon.com/dp/B071H2PDHN/ref=sspa_dk_detail_8?psc=1&pd_rd_i=B071H2PDHN&pd_rd_w=DQGU&pf_rd_p=7d37a48b-2b1a-4373%E2%80%A6) (Year: 2017).\*

(Continued)

*Primary Examiner* — Samantha Q Lawrence

*Assistant Examiner* — Holly M Rodriguez

(57) **CLAIM**

The ornamental design for a loudspeaker, as shown and described.

**DESCRIPTION**

FIG. 1 is a first perspective view of a loudspeaker showing my new design;

FIG. 2 is a second perspective view thereof;

FIG. 3 is a front elevational view thereof;

FIG. 4 is a rear elevational view thereof;

FIG. 5 is a left elevational view thereof;

FIG. 6 is a right elevational view thereof;

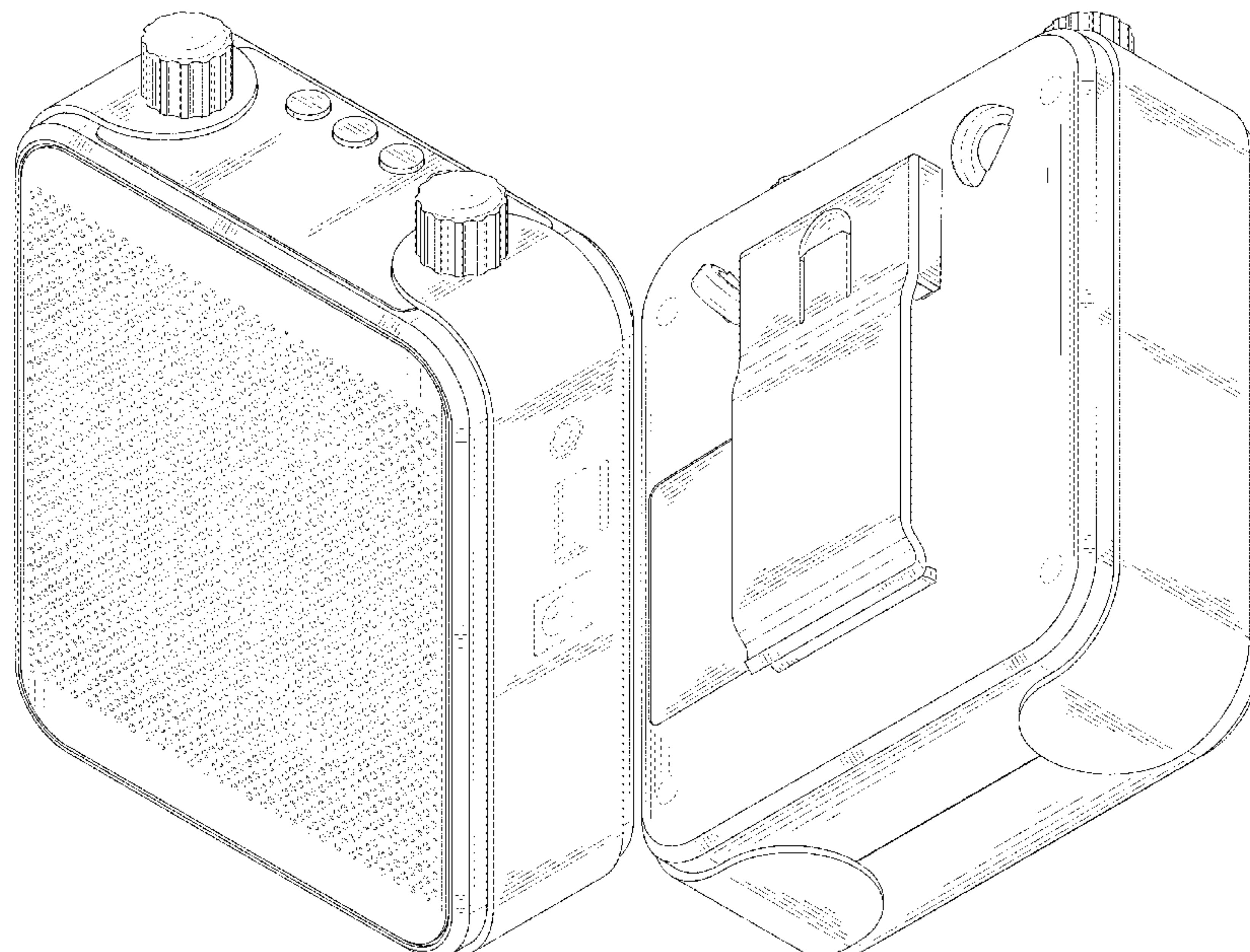
FIG. 7 is a top plan view thereof;

FIG. 8 is a bottom plan view thereof; and,

FIG. 9 is an enlarged view of a portion labelled by a numeral 9 of FIG. 5.

The broken lines in the drawings illustrate portions of the loudspeaker which form no part of the claimed design.

**1 Claim, 9 Drawing Sheets**



(56)

**References Cited**

OTHER PUBLICATIONS

Voice Amplifier with Wireless Microphone, first available May 14, 2018, amazon.com, [online], [site visited Nov. 24, 2020], Available from internet URL: [https://www.amazon.com/Amplifier-Bluetooth-Microphone-Rechargeable-Kindergartner/dp/B07D2F2LNR/ref=pd\\_di\\_scai\\_11?\\_encoding=UTF8&pd\\_r%E2%80%A6](https://www.amazon.com/Amplifier-Bluetooth-Microphone-Rechargeable-Kindergartner/dp/B07D2F2LNR/ref=pd_di_scai_11?_encoding=UTF8&pd_r%E2%80%A6) (Year: 2018).\*

\* cited by examiner



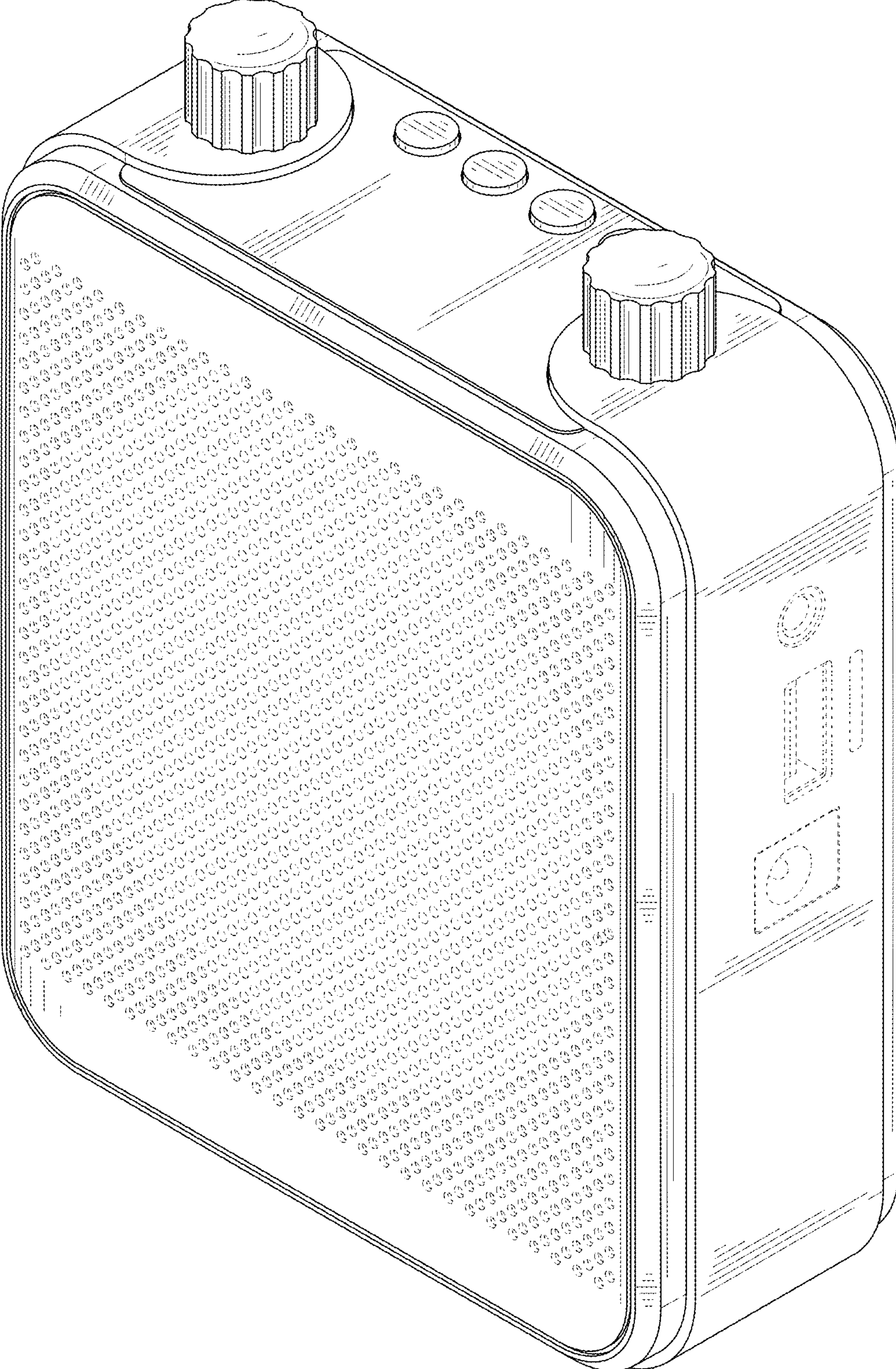


FIG. 1

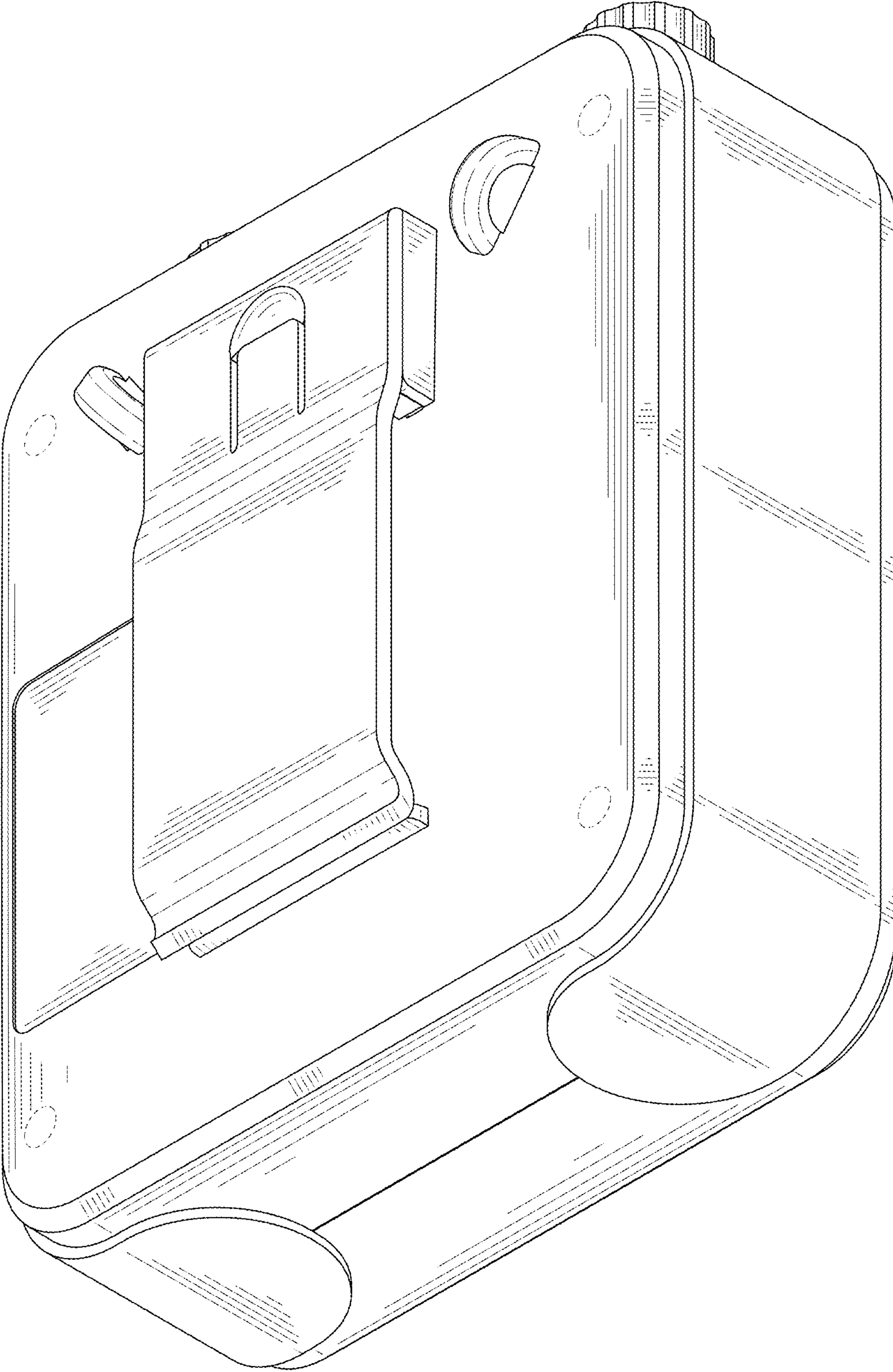


FIG. 2





FIG. 3

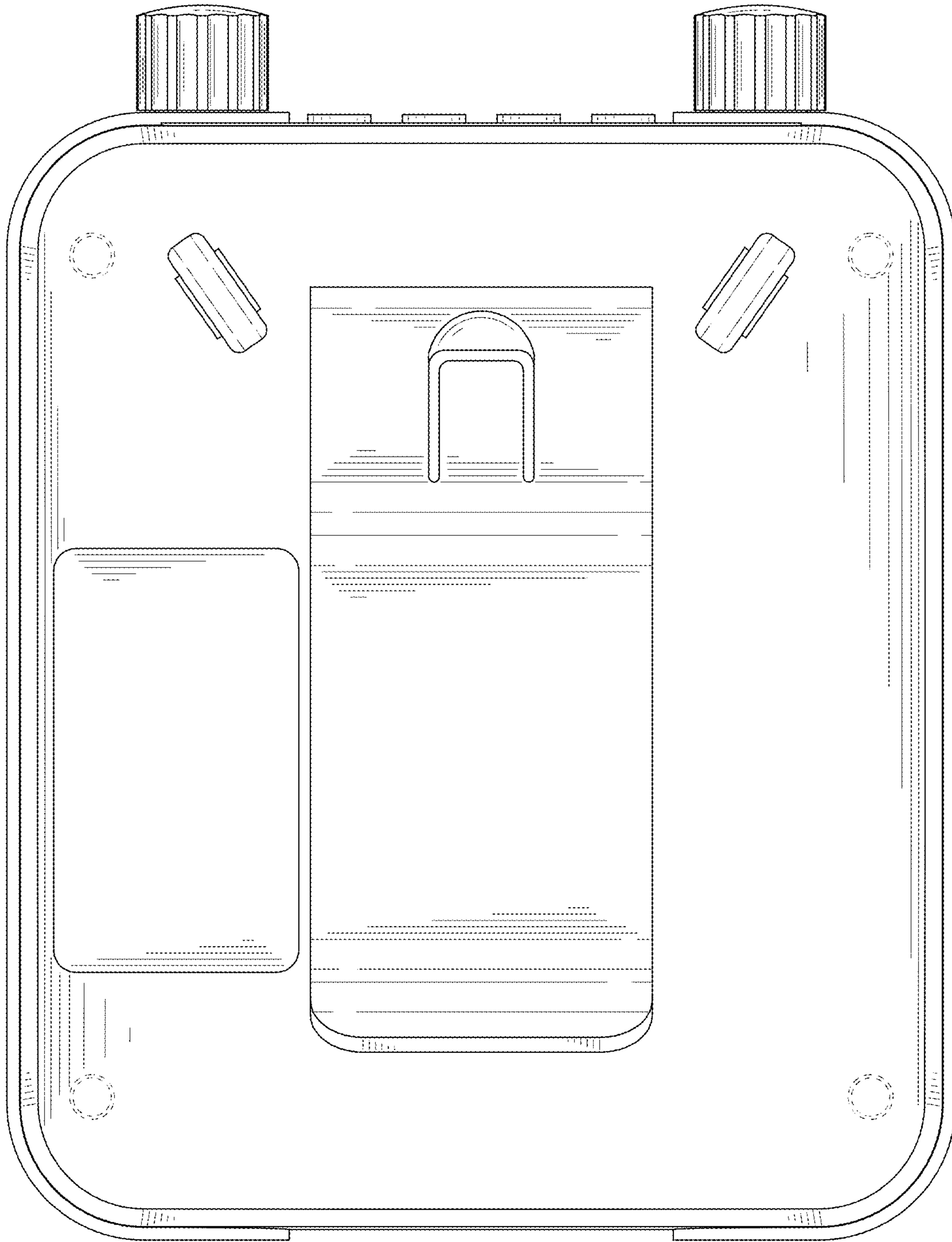


FIG. 4

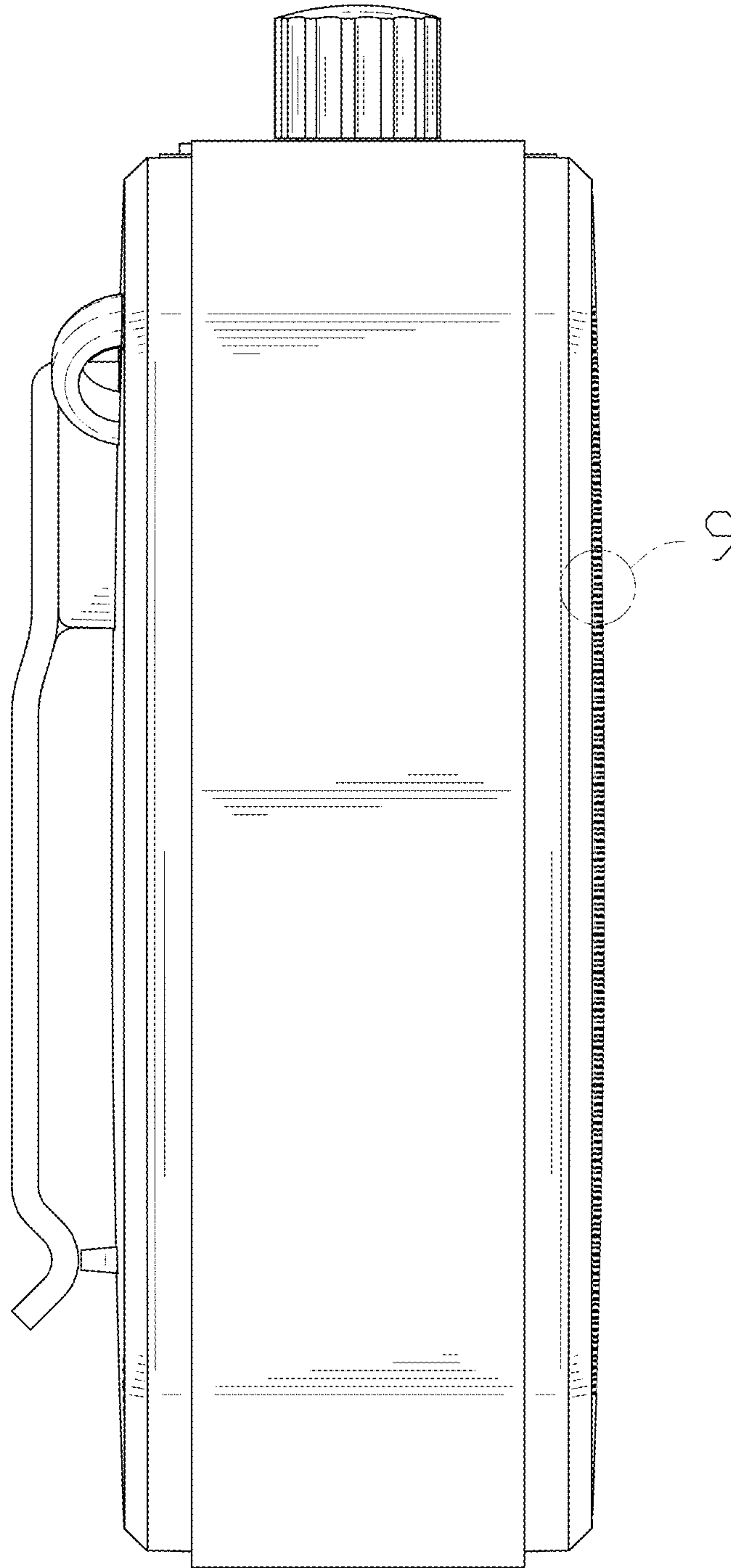


FIG. 5

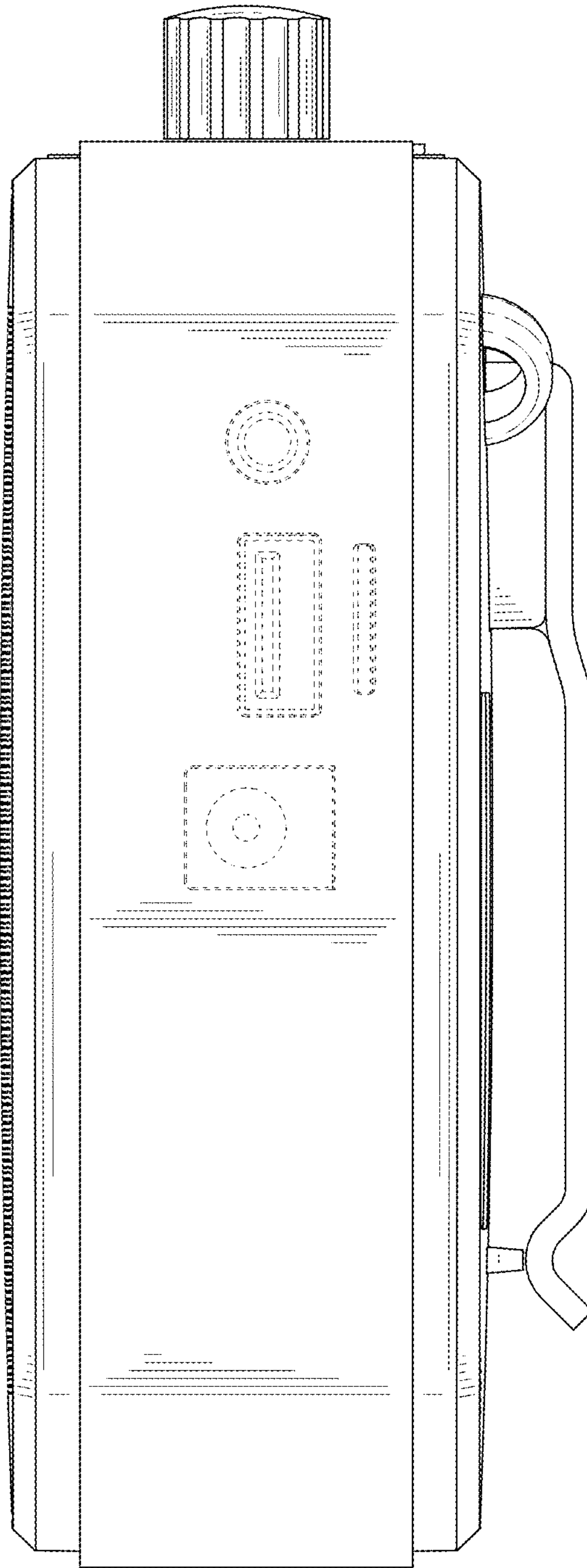


FIG. 6



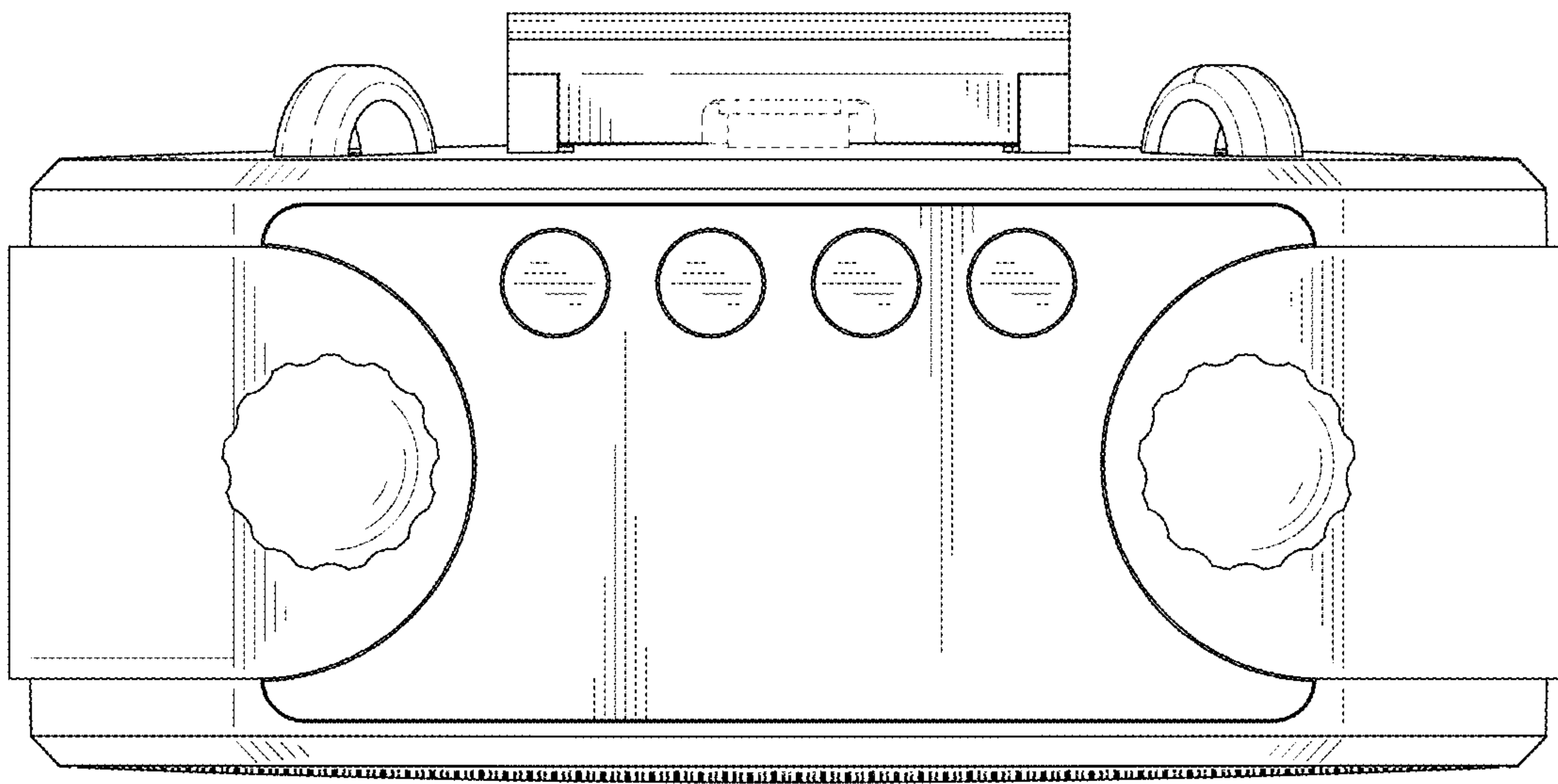


FIG. 7

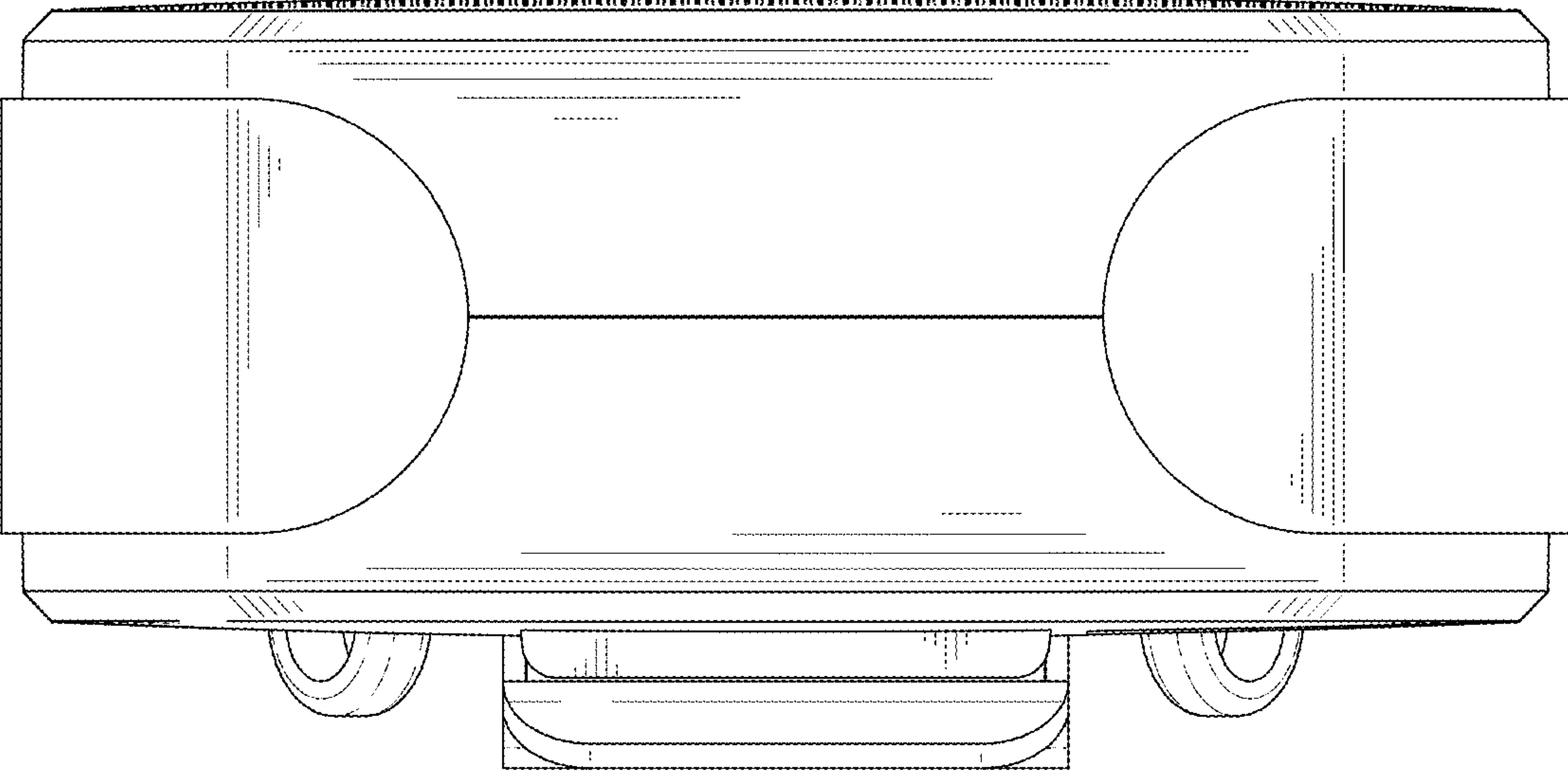


FIG. 8

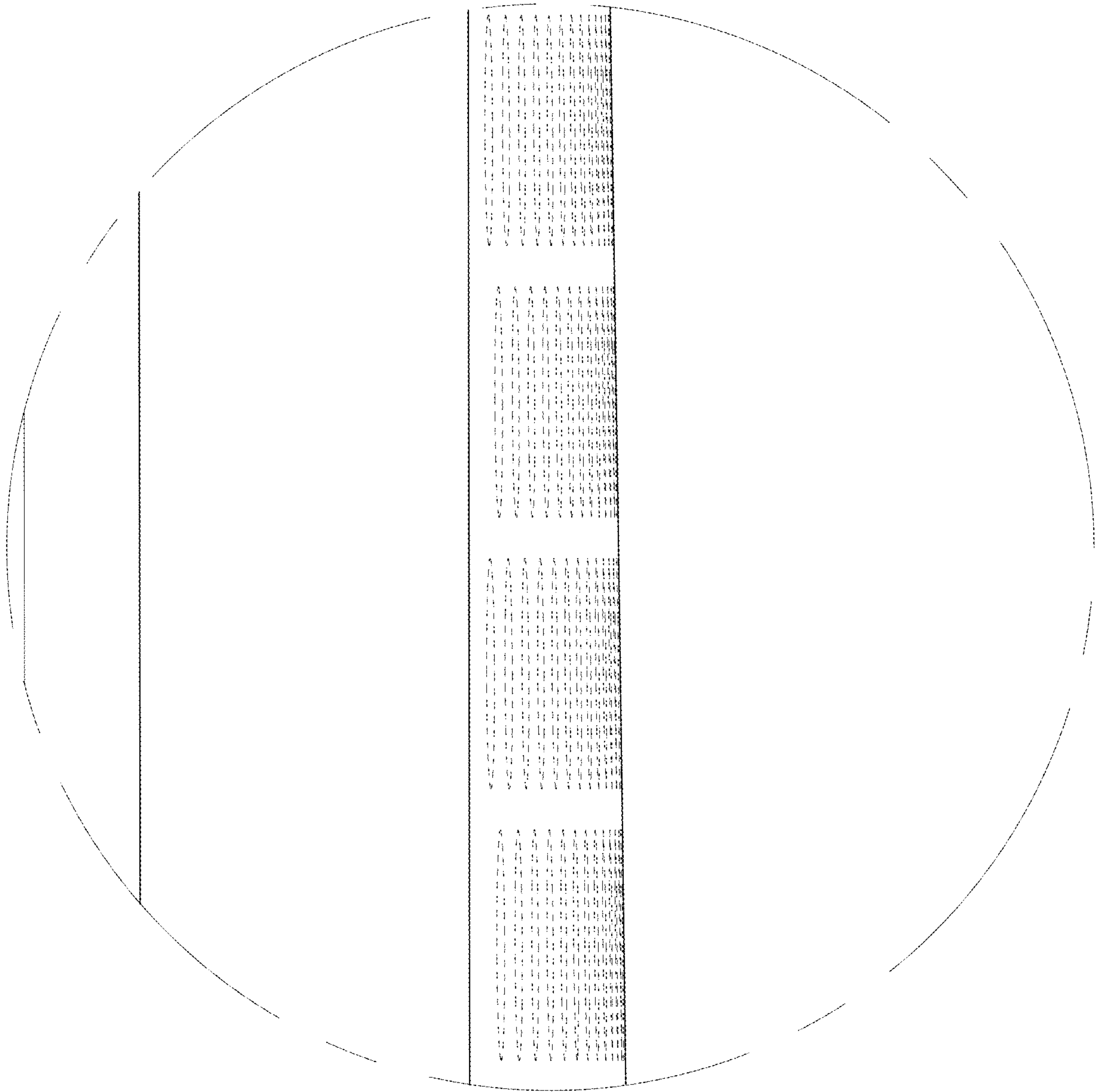


FIG. 9