



US00D923602S

(12) **United States Design Patent**  
**Kelley**

(10) **Patent No.: US D923,602 S**  
(45) **Date of Patent: \*\* Jun. 29, 2021**

- (54) **COMMUNICATIONS HEADSET**
- (71) Applicant: **Plantronics, Inc.**, Santa Cruz, CA (US)
- (72) Inventor: **John A. Kelley**, Santa Cruz, CA (US)
- (73) Assignee: **Plantronics, Inc.**, Santa Cruz, CA (US)
- (\*\*) Term: **15 Years**
- (21) Appl. No.: **29/733,423**
- (22) Filed: **May 1, 2020**

- D410,466 S 6/1999 Mouri
- D449,034 S 10/2001 Weikel et al.
- D449,039 S 10/2001 Weikel et al.
- D451,907 S 12/2001 Amae et al.
- D463,784 S 10/2002 Taylor et al.
- 6,560,346 B2 5/2003 Ohta et al.

(Continued)

**FOREIGN PATENT DOCUMENTS**

- EM 006307120-0001 \* 9/2018
- KR 30-025780000 S 3/2000

(Continued)

**OTHER PUBLICATIONS**

Taiwan IPO Search Report issued in Taiwan Design Patent Application No. 108301392, completed on Sep. 7, 2019 and English translation thereof (2 pages).

*Primary Examiner* — Paula Allen Greene  
(74) *Attorney, Agent, or Firm* — Ferguson Braswell  
Fraser Kubasta PC

**Related U.S. Application Data**

- (62) Division of application No. 29/663,234, filed on Sep. 13, 2018, now Pat. No. Des. 883,253.
- (51) **LOC (13) Cl.** ..... **14-01**
- (52) **U.S. Cl.**  
USPC ..... **D14/206**
- (58) **Field of Classification Search**  
USPC ..... D14/206, 225, 226, 205; D29/112;  
2/209; 381/380, 381, 374; 455/90.3,  
455/575.1, 569.1  
CPC ..... H04R 25/00; H04R 19/04; H04R 1/1016;  
H04R 1/1066; H04R 5/033; H04R  
5/0335; H04R 1/1091  
See application file for complete search history.

(57) **CLAIM**

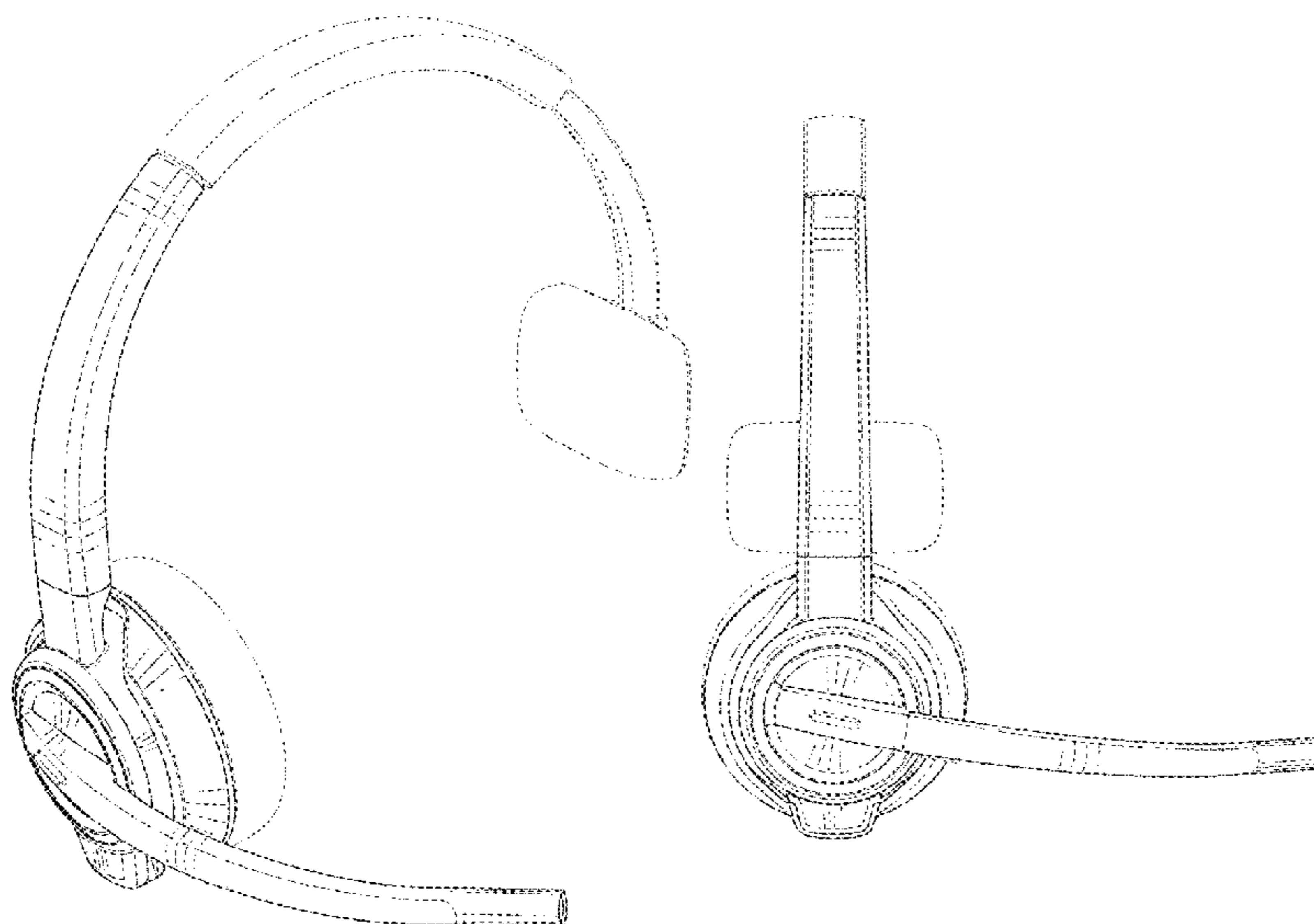
The ornamental design for a communications headset, as shown and described.

**DESCRIPTION**

FIG. 1 is a front-right perspective view of a communications headset showing my new design;  
FIG. 2 is a back-left perspective view thereof;  
FIG. 3 is a front view thereof;  
FIG. 4 is a back view thereof;  
FIG. 5 is a right side view thereof;  
FIG. 6 is a left side view thereof;  
FIG. 7 is a top view thereof; and,  
FIG. 8 is a bottom view thereof.  
The broken lines showing the unclaimed features form no part of the claimed design.

- (56) **References Cited**  
**U.S. PATENT DOCUMENTS**  
3,548,118 A \* 12/1970 Hutchings ..... H04R 1/105  
379/430  
4,926,961 A \* 5/1990 Gattey ..... G10K 11/22  
181/18  
D323,167 S 1/1992 Yamazaki et al.  
D328,461 S 8/1992 Daido et al.  
D347,434 S 5/1994 Yamatogi  
D353,817 S 12/1994 Wada  
D354,568 S 1/1995 Araki et al.  
D358,391 S 5/1995 Isono  
D406,140 S \* 2/1999 Hall ..... D14/205

**1 Claim, 8 Drawing Sheets**



(56)

References Cited

U.S. PATENT DOCUMENTS

D484,485 S 12/2003 Matsuoka  
 D498,227 S 11/2004 Dyer et al.  
 D504,419 S 4/2005 Bey et al.  
 D505,413 S 5/2005 Skulley et al.  
 D506,258 S 6/2005 Nielsen  
 D510,082 S 9/2005 Olson et al.  
 D510,335 S 10/2005 Suzuki  
 D517,528 S 3/2006 Skulley  
 D518,479 S \* 4/2006 Skulley ..... D14/225  
 D520,496 S 5/2006 Gwee  
 D521,492 S 5/2006 Ham  
 7,106,873 B1 9/2006 Harrison et al.  
 D531,165 S \* 10/2006 Rath ..... D14/206  
 D537,815 S 3/2007 Bentley et al.  
 D539,267 S 3/2007 Komiyama  
 D540,313 S \* 4/2007 Rausch ..... D14/225  
 D540,778 S 4/2007 Thompson et al.  
 D541,787 S 5/2007 Ma  
 D549,688 S 8/2007 Suzuki  
 D567,220 S 4/2008 Wang  
 D571,354 S 6/2008 Ng  
 D588,098 S 3/2009 Kurihara  
 D589,492 S \* 3/2009 Mistry ..... D14/205  
 D589,934 S 4/2009 Esses  
 D593,995 S 6/2009 Shimizu  
 D597,072 S 7/2009 Asai  
 D602,001 S 10/2009 Bentley  
 D602,906 S 10/2009 Groves et al.  
 D603,372 S 11/2009 Bentley  
 D616,418 S 5/2010 Morisawa  
 D617,771 S 6/2010 Groves et al.  
 D635,959 S 4/2011 Hutchieson  
 D638,000 S 5/2011 Hoggarth  
 D639,776 S 6/2011 Arimoto  
 D642,554 S 8/2011 Schaal et al.  
 D643,405 S 8/2011 Rath  
 D647,877 S 11/2011 Son  
 8,061,473 B1 \* 11/2011 Kerr ..... A61F 11/008  
 181/135  
 D652,017 S \* 1/2012 Groves ..... D14/206  
 D653,649 S 2/2012 Yang et al.  
 D654,471 S 2/2012 Fischer  
 D662,080 S 6/2012 Carr et al.  
 D670,267 S 11/2012 Maddern  
 D671,914 S 12/2012 Lee et al.  
 D671,915 S 12/2012 Birger  
 D673,929 S 1/2013 Combs et al.  
 D674,767 S 1/2013 Brunner et al.

D677,647 S 3/2013 Lee et al.  
 D681,014 S 4/2013 Ham et al.  
 D686,593 S 7/2013 Larsen  
 D687,808 S 8/2013 Combs et al.  
 D691,112 S 10/2013 Brunner et al.  
 D691,579 S 10/2013 Lee et al.  
 D692,410 S 10/2013 Brunner et al.  
 D695,263 S 12/2013 Mogili  
 D712,871 S 9/2014 McNamara  
 D713,817 S 9/2014 Paterson et al.  
 D716,258 S 10/2014 Awiszus et al.  
 D716,259 S 10/2014 Awiszus et al.  
 D716,760 S 11/2014 Brunner et al.  
 D717,767 S 11/2014 Mistry et al.  
 D719,135 S 12/2014 Kelley  
 D725,630 S 3/2015 Nakagawa  
 D732,503 S 6/2015 Brunner et al.  
 D755,753 S 5/2016 Nakagawa  
 D760,690 S 7/2016 Gecawicz et al.  
 D763,228 S \* 8/2016 Carr ..... D14/206  
 D764,437 S 8/2016 Yang et al.  
 9,426,554 B2 8/2016 Dai et al.  
 D806,676 S \* 1/2018 Fuglsang ..... D14/206  
 D812,040 S \* 3/2018 Yan ..... D14/206  
 D820,812 S 6/2018 Bidwell et al.  
 D822,638 S 7/2018 Liu  
 D836,085 S 12/2018 Sun et al.  
 D843,343 S 3/2019 Paterson et al.  
 D848,395 S 5/2019 Kelley  
 D851,065 S 6/2019 Yan  
 D851,628 S 6/2019 Wernblad et al.  
 D855,036 S 7/2019 Yan  
 D857,656 S 8/2019 Ipsen et al.  
 10,382,851 B1 8/2019 Smith  
 D875,073 S \* 2/2020 Pedersen ..... D14/206  
 D877,115 S \* 3/2020 Kelley ..... D14/205  
 D878,331 S \* 3/2020 Tsubone ..... D14/206  
 D878,332 S \* 3/2020 Tsubone ..... D14/206  
 D883,253 S \* 5/2020 Kelley ..... D14/205  
 D898,701 S \* 10/2020 Zhong ..... D14/206  
 D906,282 S \* 12/2020 Kelley ..... D14/206  
 2011/0135134 A1 6/2011 Essabar et al.  
 2012/0163616 A1 6/2012 Birch  
 2016/0198254 A1 7/2016 Gecawicz et al.  
 2020/0288234 A1 \* 9/2020 Fletcher ..... H04R 1/1066

FOREIGN PATENT DOCUMENTS

KR 30-0788892000 S 3/2015  
 KR 30-0870121000 S 8/2016

\* cited by examiner

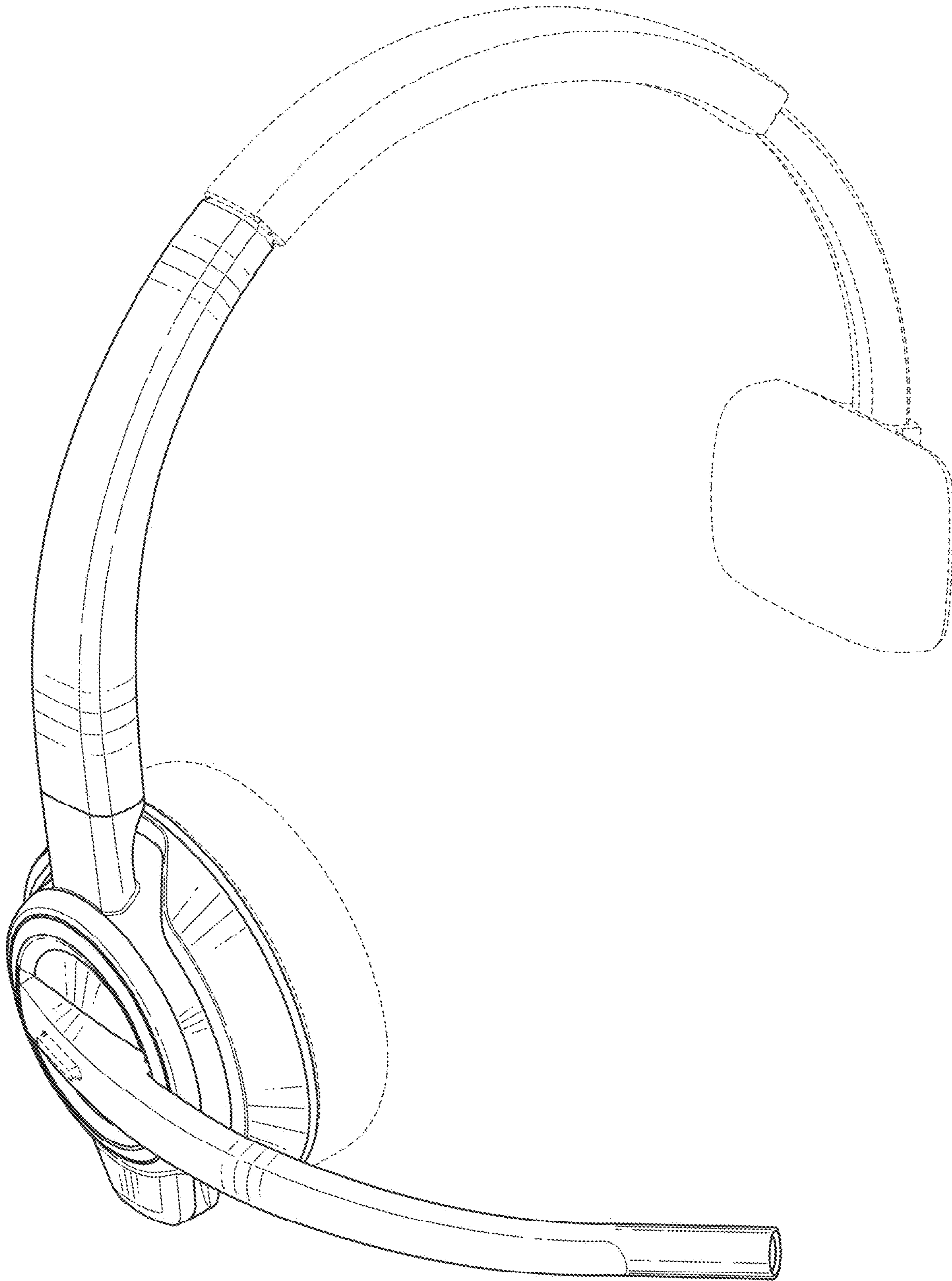


FIG. 1



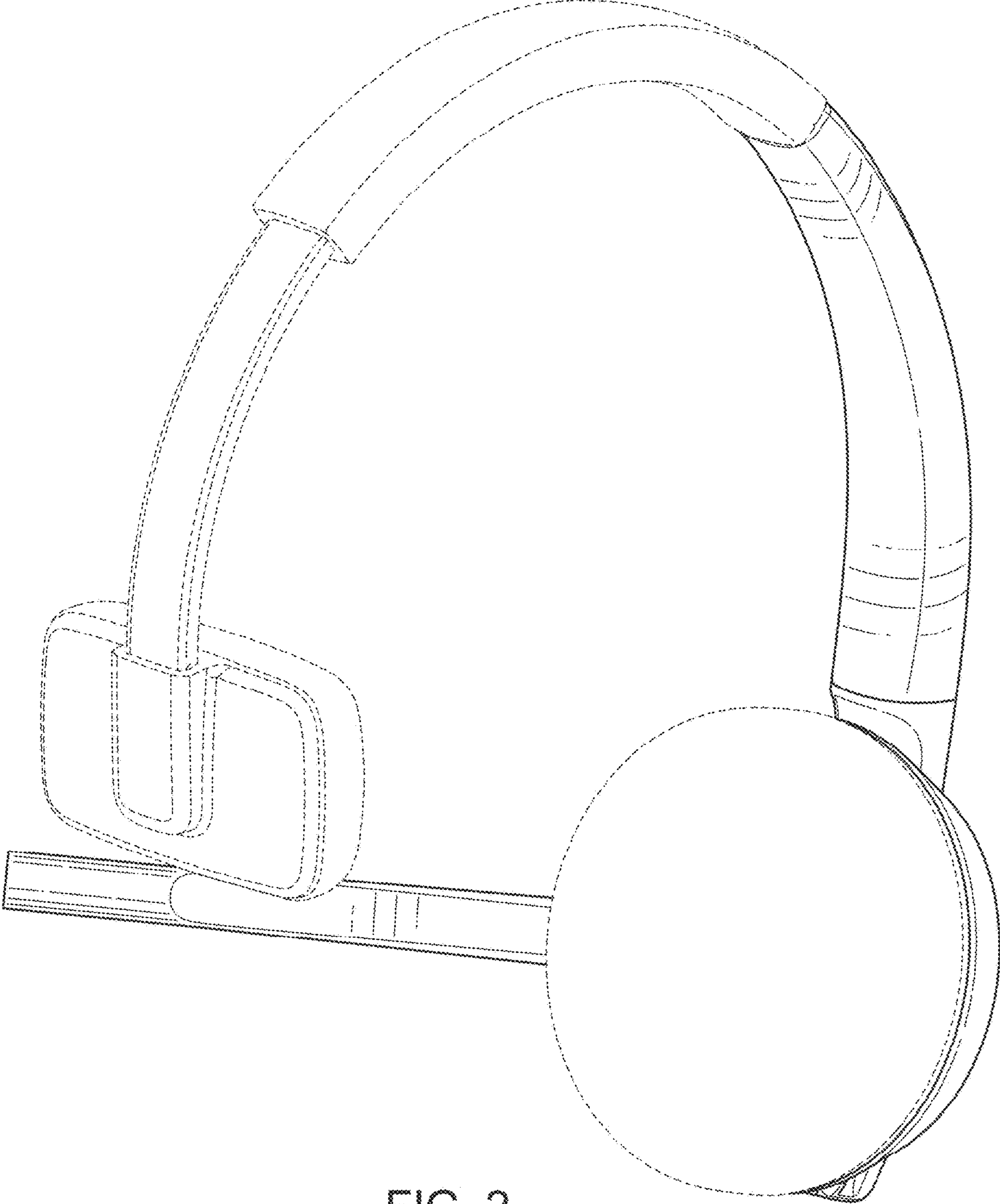


FIG. 2



FIG. 3

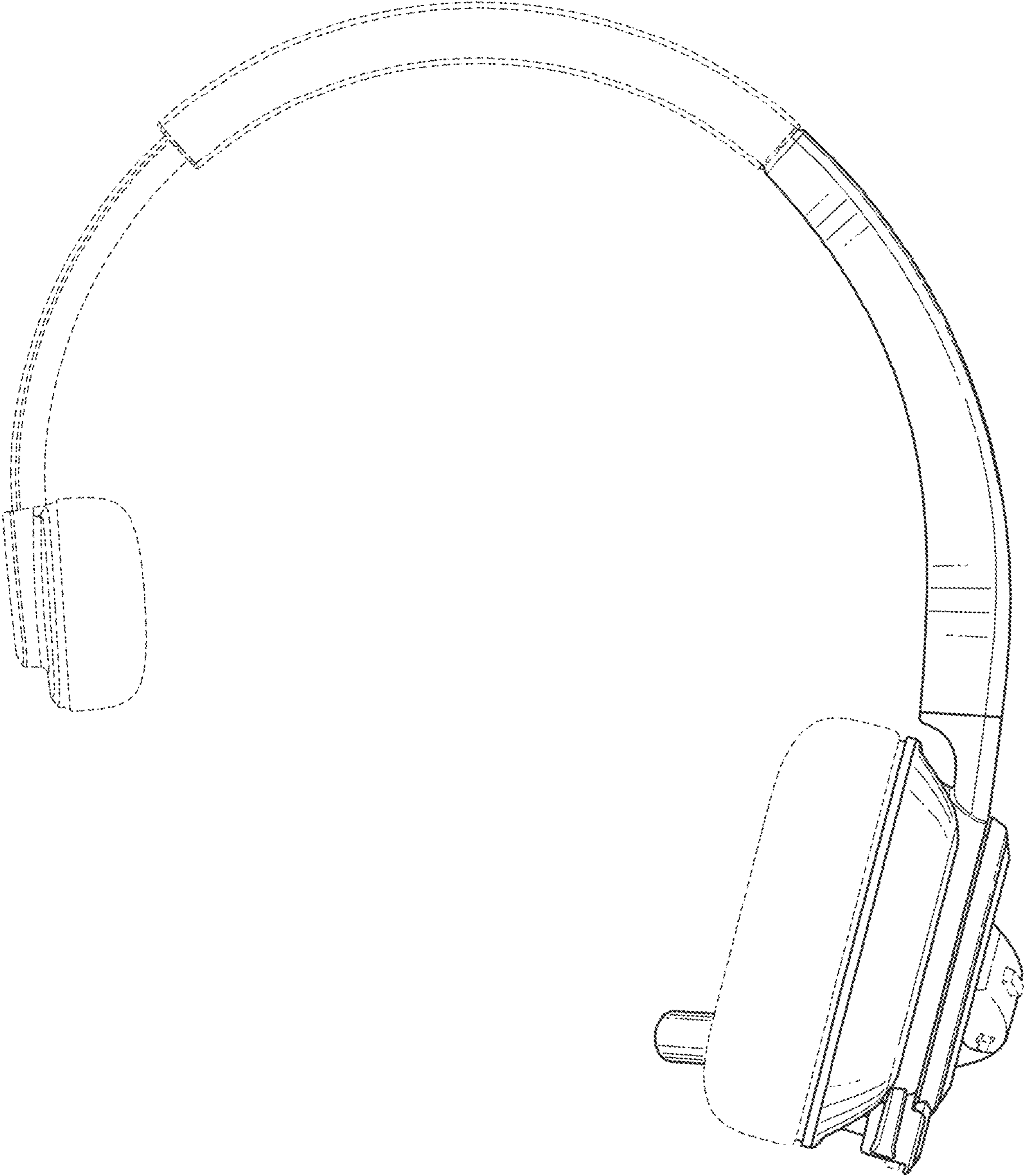


FIG. 4

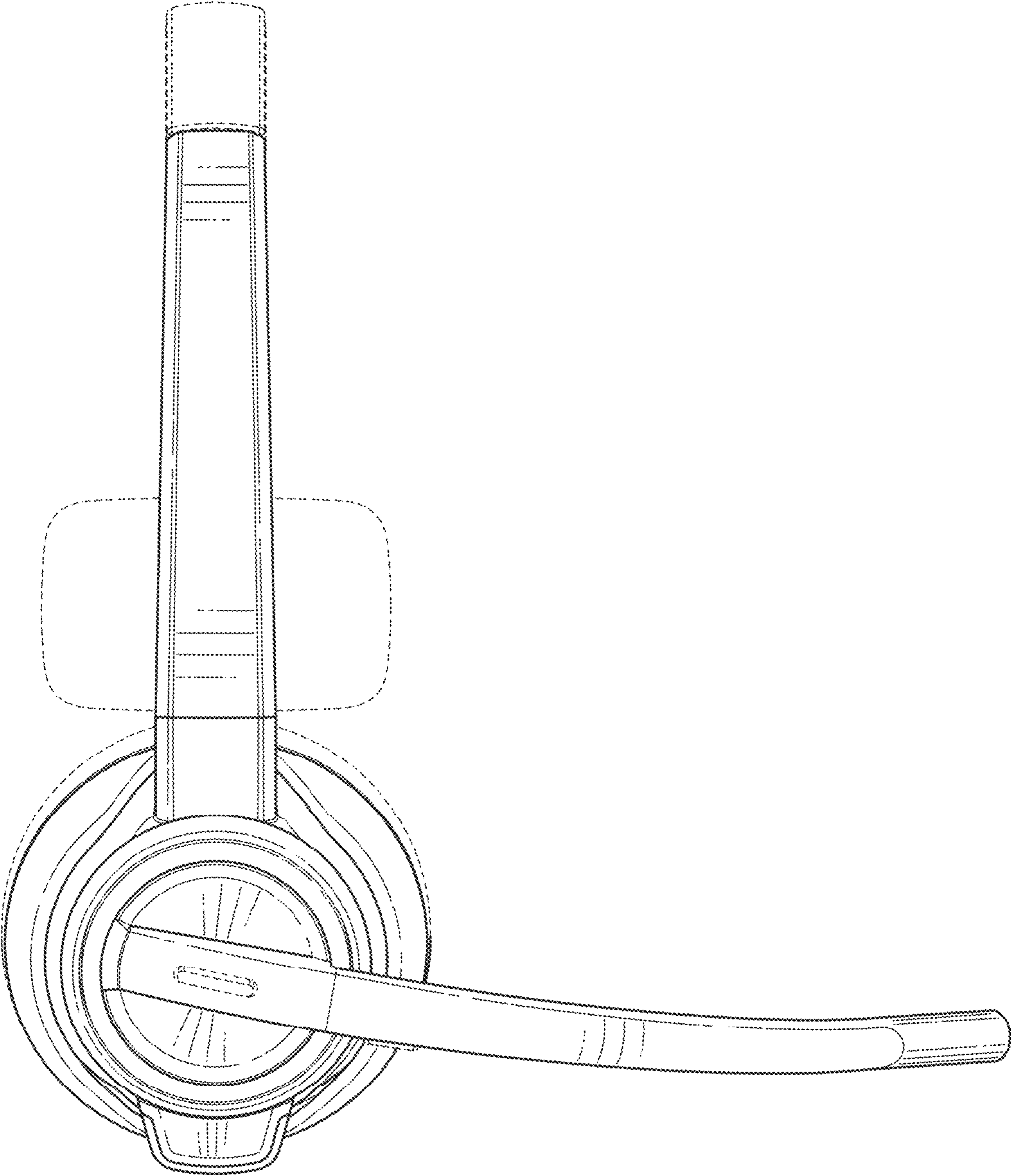


FIG. 5

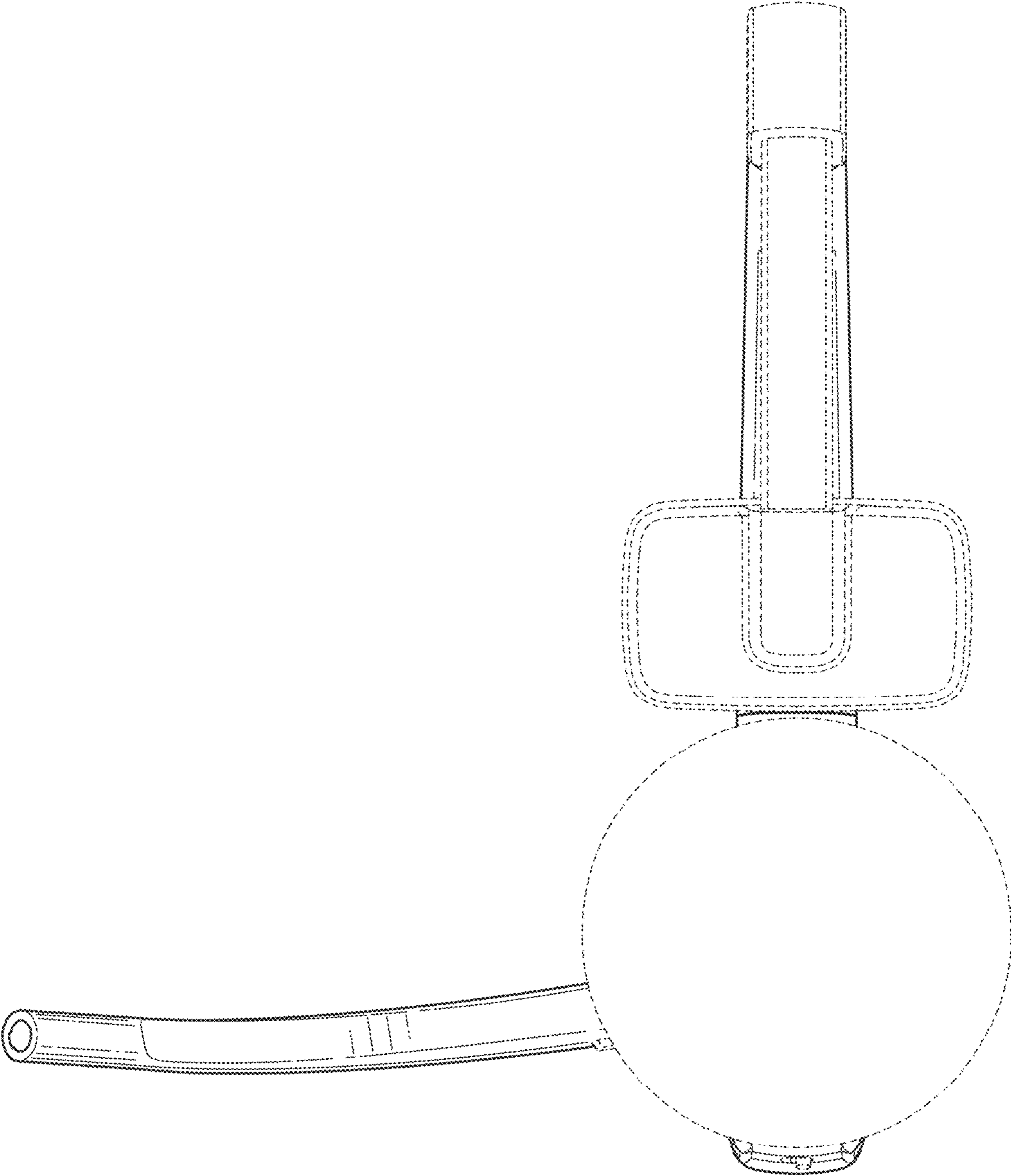


FIG. 6



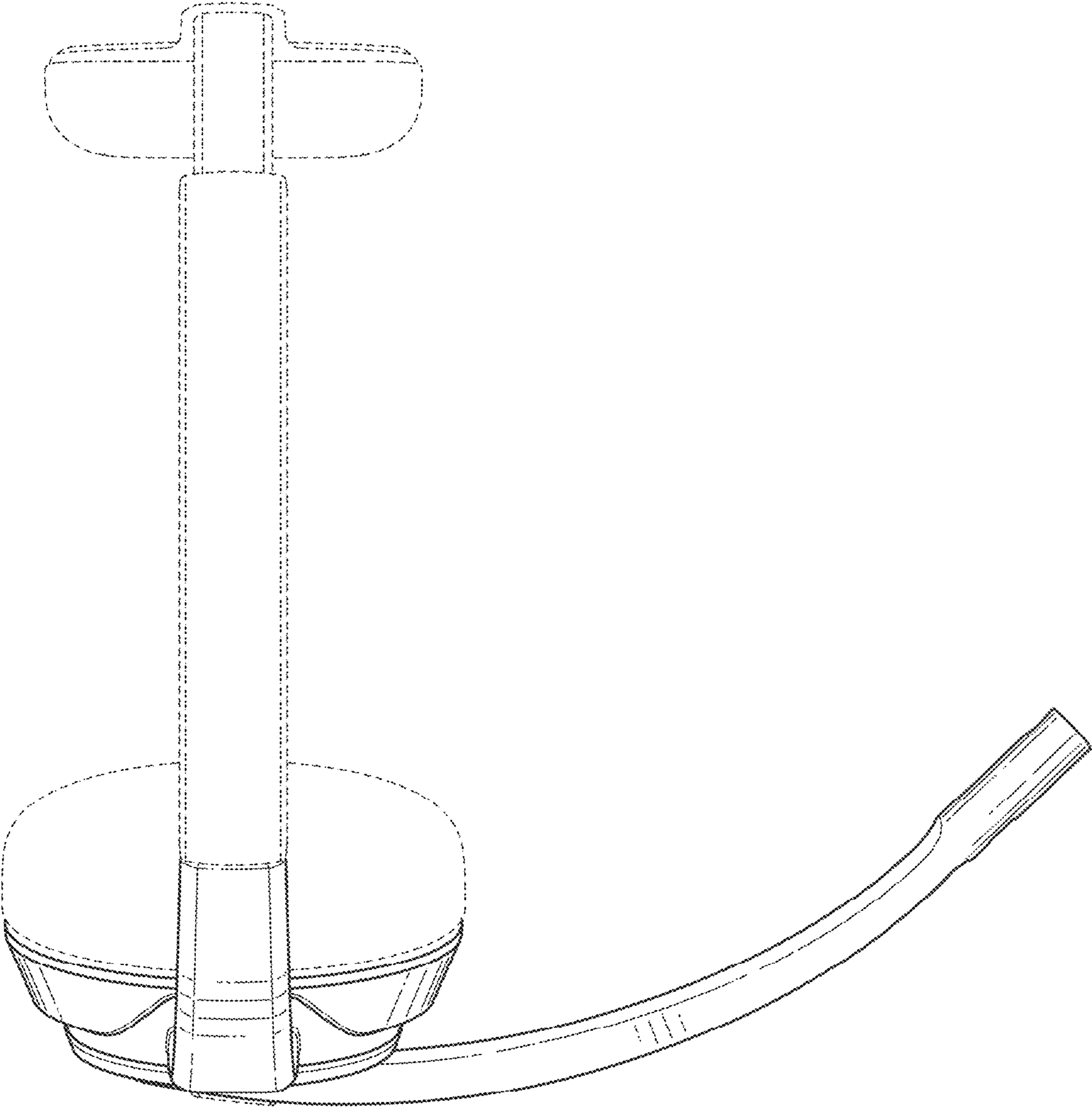


FIG. 7

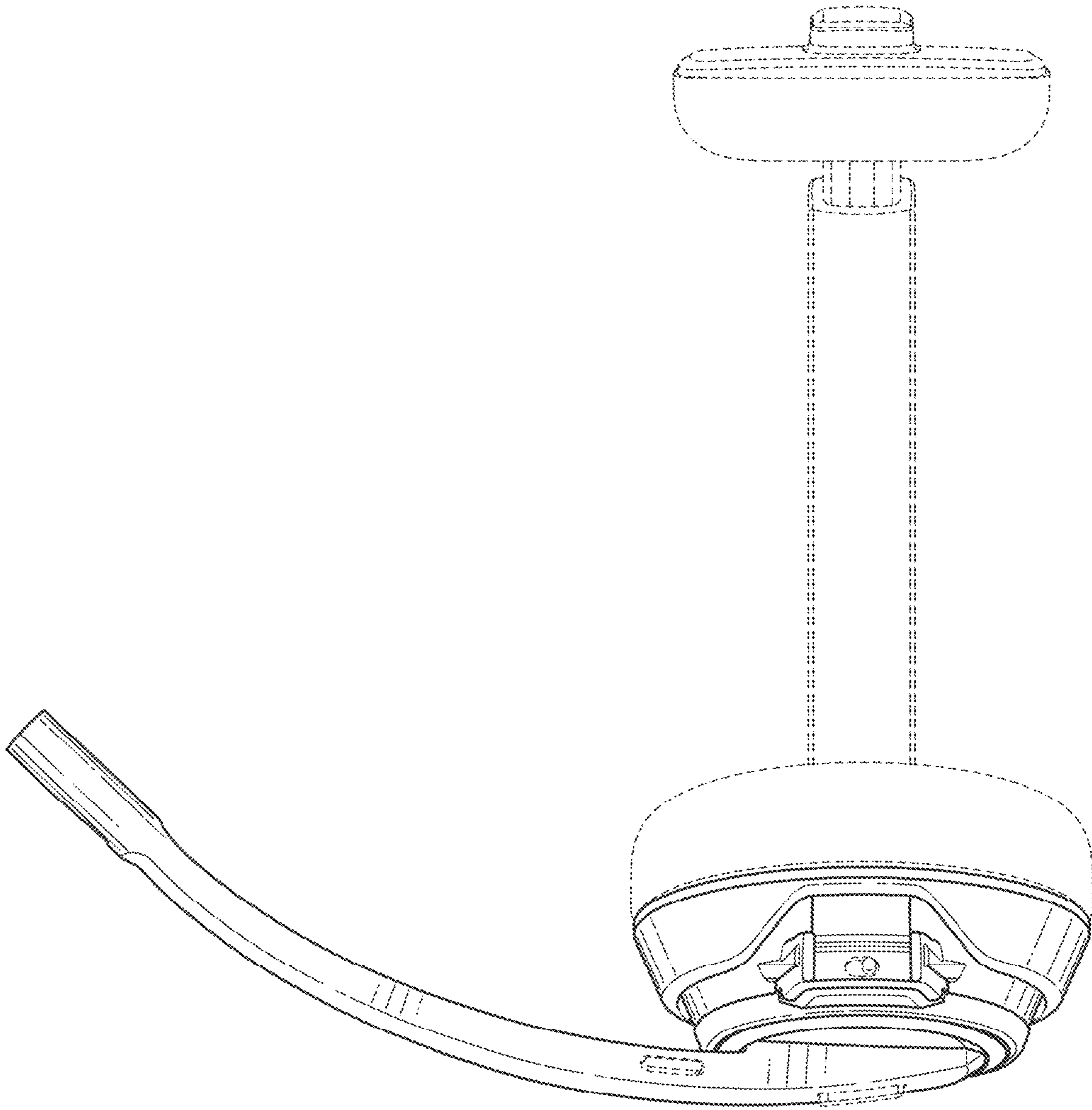


FIG. 8