



US00D923599S

(12) **United States Design Patent**
Zheng

(10) **Patent No.:** **US D923,599 S**

(45) **Date of Patent:** **** Jun. 29, 2021**

(54) **AUDIO HEADSET**

(71) Applicant: **Mingxun Zheng, Yanji (CN)**

(72) Inventor: **Mingxun Zheng, Yanji (CN)**

(**) Term: **15 Years**

(21) Appl. No.: **29/699,392**

(22) Filed: **Jul. 25, 2019**

(51) **LOC (13) Cl.** **14-01**

(52) **U.S. Cl.**
USPC **D14/205**

(58) **Field of Classification Search**
USPC D14/205, 188, 192; D29/112; 2/209;
381/380, 381, 374; 455/90.3, 575.1,
455/569.1; 428/30
CPC H04R 25/00; H04R 25/02; H04R 1/1066;
H04R 1/1016; H04R 5/033; H04R
5/0335; H04R 1/105; H04R 1/1058
See application file for complete search history.

(56) **References Cited**

U.S. PATENT DOCUMENTS

- 2,875,543 A * 3/1959 Sylvester D06Q 1/00
428/30
- 2,958,148 A * 11/1960 Sylvester B44F 1/00
428/30
- D292,205 S * 10/1987 Kikutani 381/378
- D317,767 S * 6/1991 Banks D14/205
- 5,185,807 A * 2/1993 Bergin H04R 1/1066
181/128
- D353,818 S * 12/1994 Nakamura D14/205
- 5,640,458 A * 6/1997 Nishiguchi G11C 7/16
381/2
- D456,379 S * 4/2002 Fitzgerald D14/142
- D518,474 S * 4/2006 Suzuki D14/205
- D519,497 S * 4/2006 Komiyama D14/223
- D560,654 S * 1/2008 Feng D14/205
- D570,825 S * 6/2008 Schultz D14/205

- D638,397 S * 5/2011 McManigal D14/205
- D668,633 S * 10/2012 Enquist D14/205
- D677,241 S * 3/2013 Kelly D14/205
- D684,559 S * 6/2013 Groset D14/205
- D686,593 S * 7/2013 Larsen D14/205
- D700,590 S * 3/2014 Heath D14/205
- D712,872 S * 9/2014 Yuen D14/205
- D722,590 S * 2/2015 Lu D14/205
- D722,998 S * 2/2015 Sancho D14/205
- D758,991 S * 6/2016 Petersen D14/205
- D781,265 S * 3/2017 Levine D14/205
- D806,676 S * 1/2018 Fuglsang D14/206
- D810,718 S * 2/2018 Galler D14/205
- D811,362 S * 2/2018 Petersen D14/205
- D811,365 S * 2/2018 Czaniecki D14/205
- D826,895 S * 8/2018 Sharp D14/205
- D830,330 S * 10/2018 Petersen D14/205
- D830,331 S * 10/2018 Petersen D14/205
- D832,811 S * 11/2018 Levine D14/205
- D834,557 S * 11/2018 Hardi D14/205
- D837,763 S * 1/2019 Suzuki D14/205
- D842,270 S * 3/2019 Chen D14/205

(Continued)

Primary Examiner — Paula Allen Greene

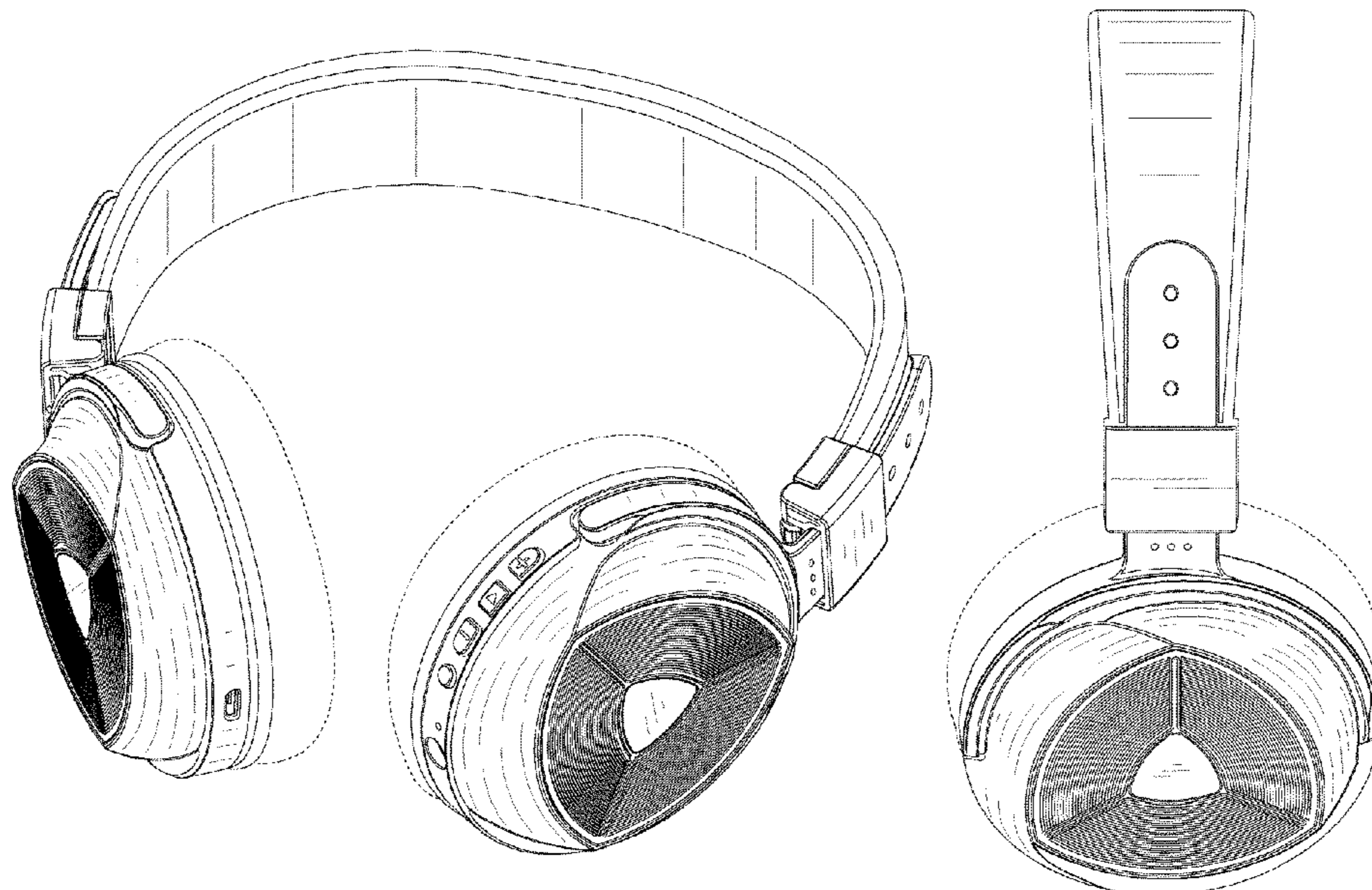
(57) **CLAIM**

The ornamental design for an audio headset, as shown and described.

DESCRIPTION

FIG. 1 is a perspective view of the audio headset showing my new design;
FIG. 2 is a front elevational view thereof;
FIG. 3 is a rear elevational view thereof;
FIG. 4 is a left side elevational view thereof;
FIG. 5 is a right side elevational view thereof;
FIG. 6 is a top plan view thereof; and,
FIG. 7 is a bottom plan view thereof.
The broken lines in the figures depict the portions of the article that form no part of the claimed design.

1 Claim, 7 Drawing Sheets



(56)

References Cited

U.S. PATENT DOCUMENTS

D849,713	S	*	5/2019	Hanggi	D14/205
D851,627	S	*	6/2019	ter Laag	D14/205
D851,839	S	*	6/2019	Scanlon	D29/112
D859,353	S	*	9/2019	Wagner	D14/205
D864,896	S	*	10/2019	Zhang	D14/205
D867,328	S	*	11/2019	Bian	D14/205
D868,029	S	*	11/2019	Hanggi	D14/205
D878,328	S	*	3/2020	Tsubone	D14/205
D880,430	S	*	4/2020	Sugie	D13/155
2017/0041697	A1	*	2/2017	Levine	H04R 1/1033

* cited by examiner



FIG. 1



FIG. 2



FIG. 3

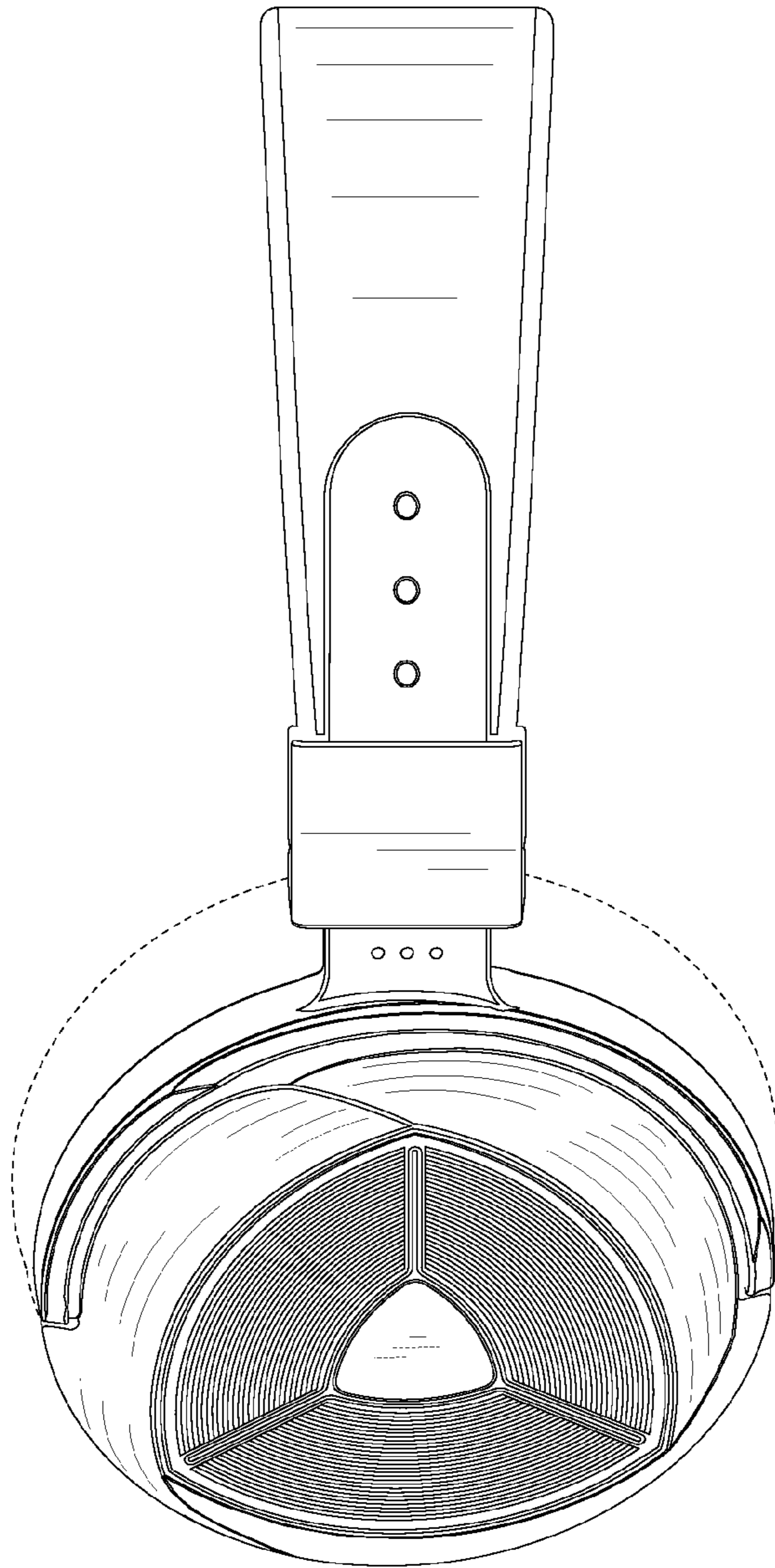


FIG. 4

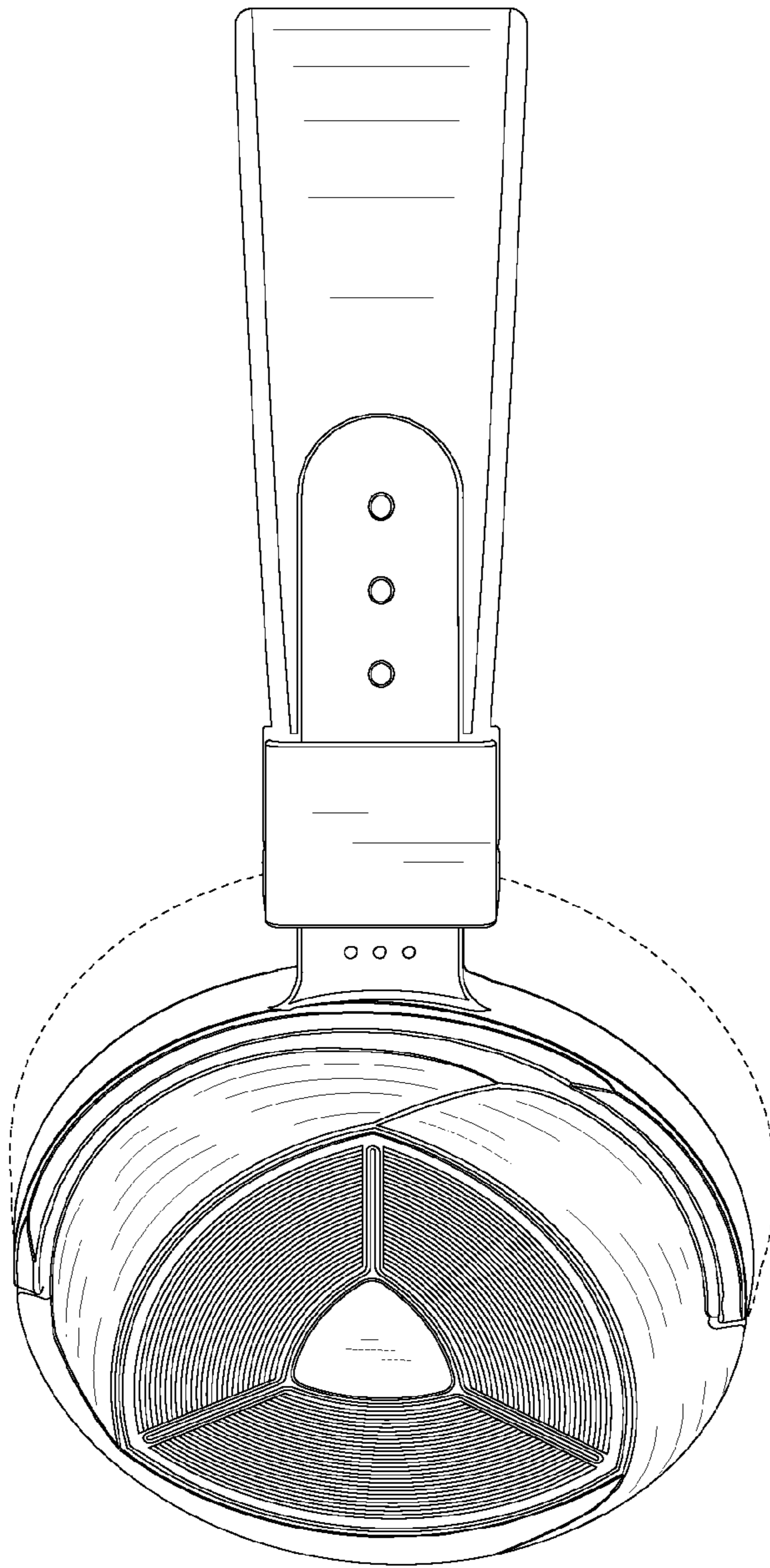


FIG. 5

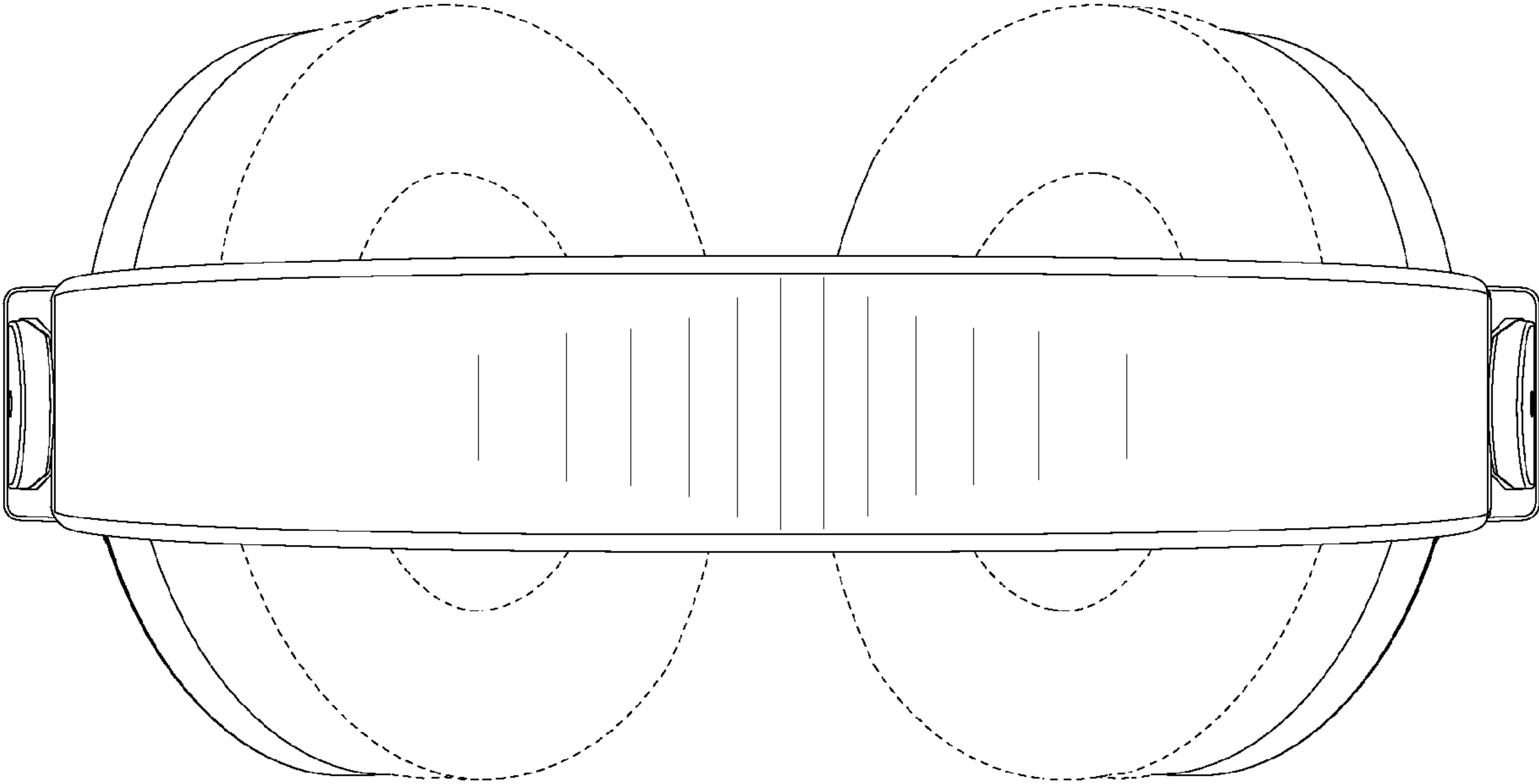


FIG. 6

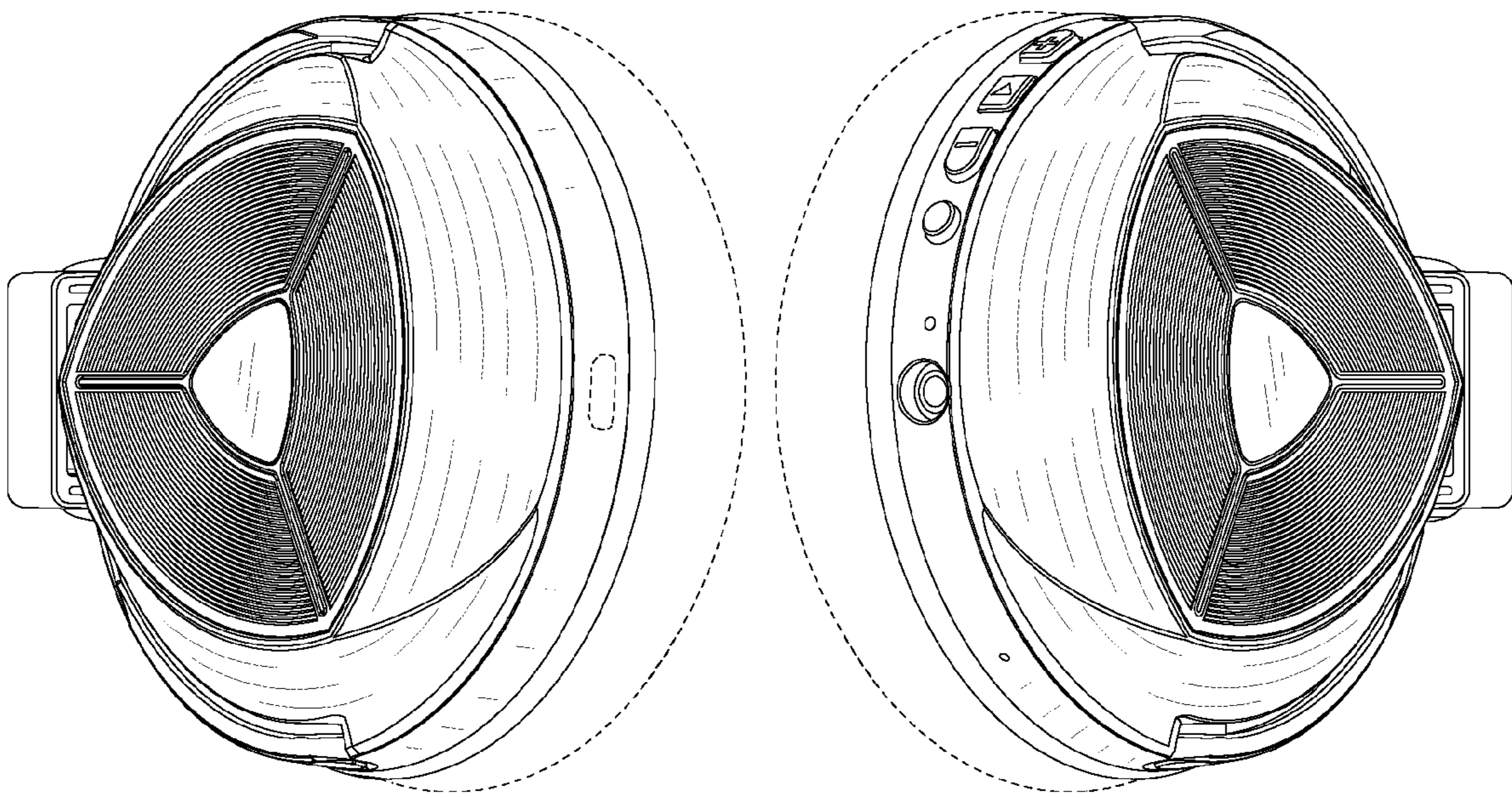


FIG. 7