



US00D923597S

(12) **United States Design Patent**
Nishikawa

(10) **Patent No.:** **US D923,597 S**

(45) **Date of Patent:** **** Jun. 29, 2021**

(54) **PORTABLE TERMINAL**

(71) Applicant: **KYOCERA Corporation**, Kyoto (JP)

(72) Inventor: **Tadamichi Nishikawa**, Yokohama (JP)

(73) Assignee: **KYOCERA CORPORATION**, Kyoto (JP)

(**) Term: **15 Years**

(21) Appl. No.: **29/711,589**

(22) Filed: **Oct. 31, 2019**

(30) **Foreign Application Priority Data**

Oct. 17, 2019 (JP) 2019-023174

(51) **LOC (13) Cl.** **14-03**

(52) **U.S. Cl.**
USPC **D14/137**

(58) **Field of Classification Search**
USPC D14/137, 138 R, 138 AA, 138 AD;
D10/104.1

CPC .. H04B 1/3833; H04B 1/3827; H04B 1/3855;
H04B 2001/3861; H04M 1/0202; H04M
1/03; H04M 1/035

See application file for complete search history.

(56) **References Cited**

U.S. PATENT DOCUMENTS

D602,892 S * 10/2009 Devenish, III D14/137
9,491,338 B1 * 11/2016 Garcia H04N 5/2252

D775,098 S * 12/2016 Nishikawa D14/138 G
D785,584 S * 5/2017 Nilsen D14/137
D785,585 S * 5/2017 Ismail D14/138 G
D837,760 S * 1/2019 Lee D14/138 G
D857,642 S * 8/2019 Nilsen D14/137
D876,380 S * 2/2020 Duman D14/137
D881,146 S * 4/2020 Nilsen D14/137
10,615,836 B1 * 4/2020 Akens H04B 1/3888
D911,995 S * 3/2021 Suzuki D14/138 G

* cited by examiner

Primary Examiner — Bridget L Eland

(74) *Attorney, Agent, or Firm* — Hauptman Ham, LLP

(57) **CLAIM**

The ornamental design for a portable terminal, as shown.

DESCRIPTION

FIG. 1 is a front view of a portable terminal bearing the design;

FIG. 2 is a rear view thereof;

FIG. 3 is a right side view thereof;

FIG. 4 is a left side view thereof;

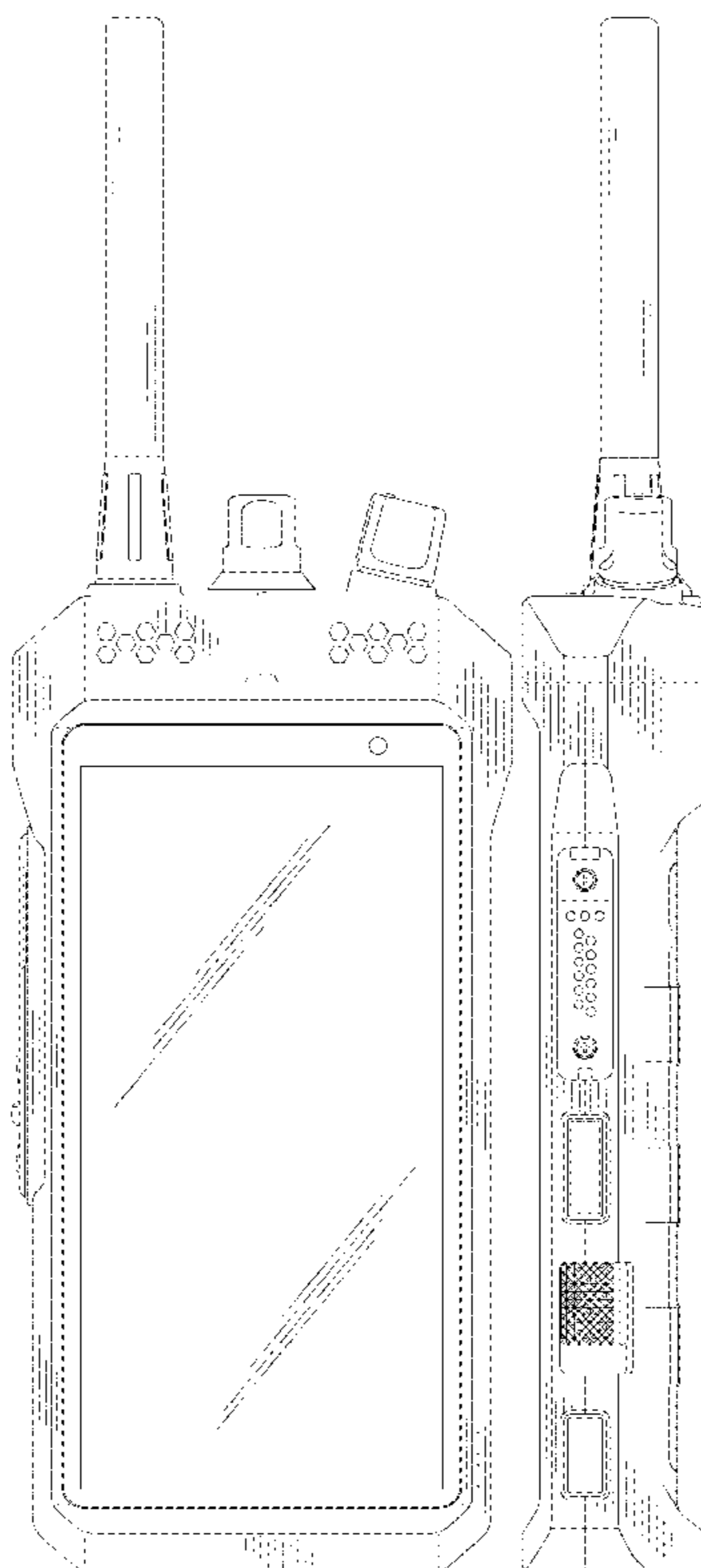
FIG. 5 is a top view thereof;

FIG. 6 is a bottom view thereof;

FIG. 7 is a front perspective view thereof; and,

FIG. 8 is a rear perspective view thereof.

1 Claim, 6 Drawing Sheets



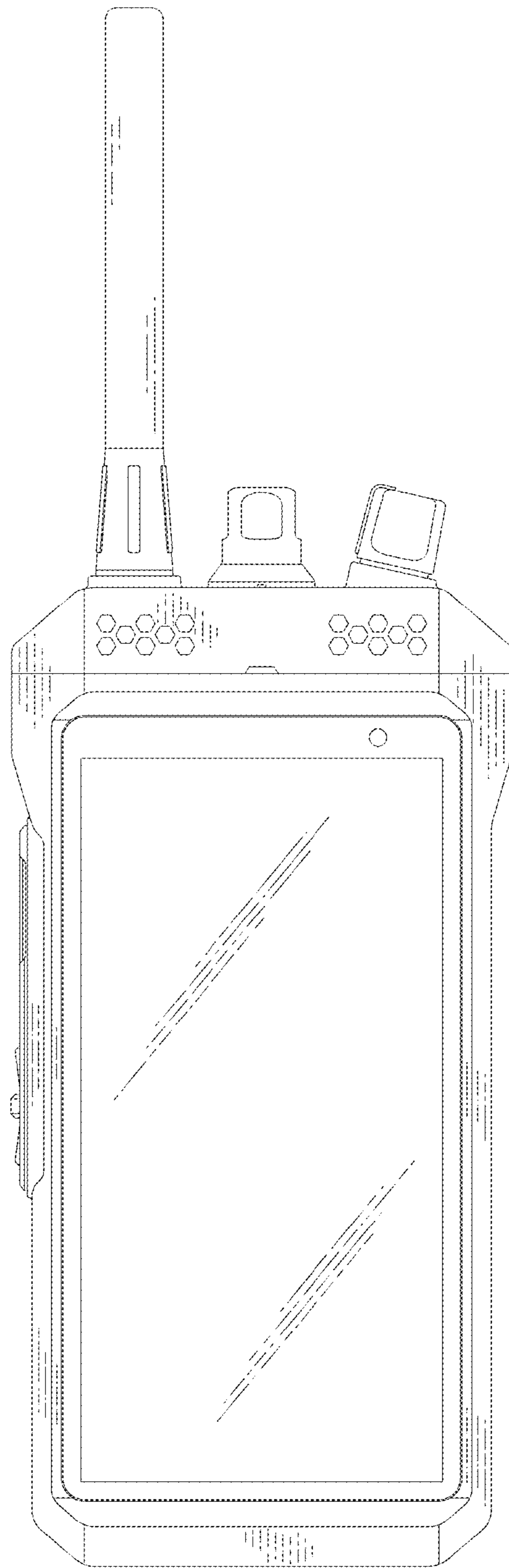


FIG. 1

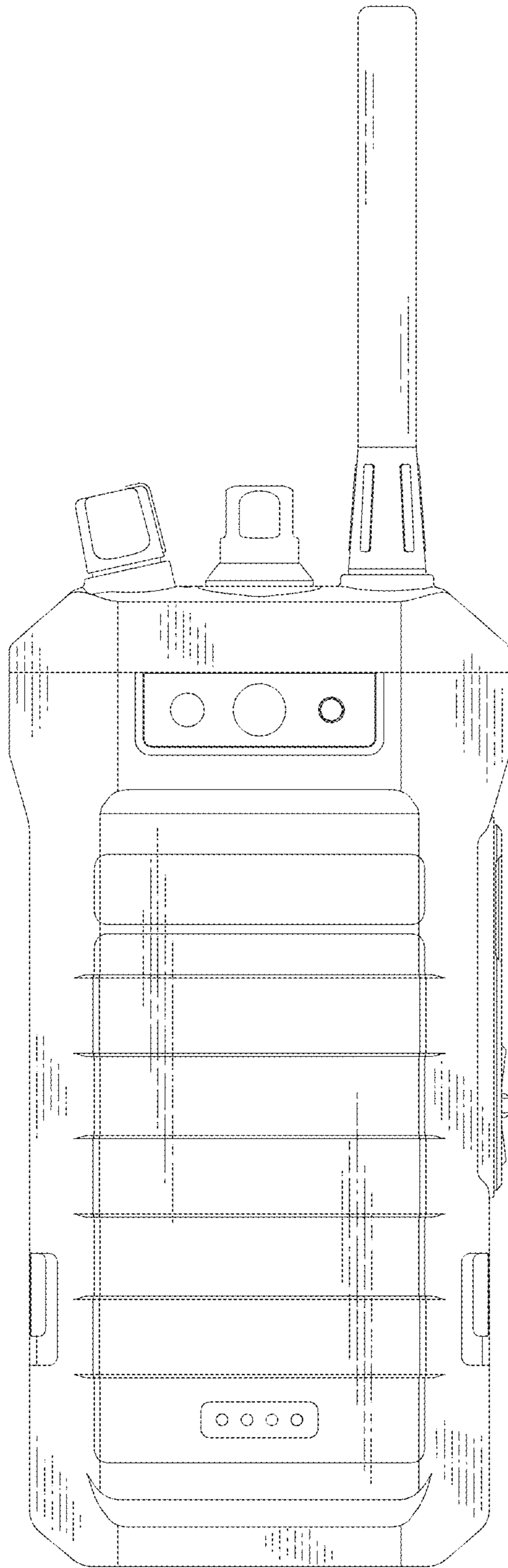


FIG. 2

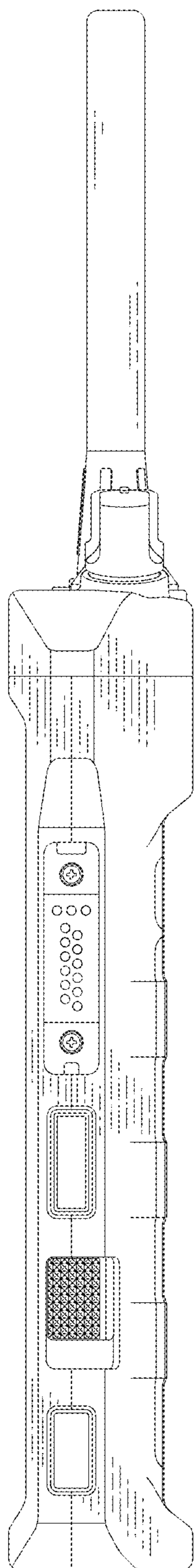


FIG. 3

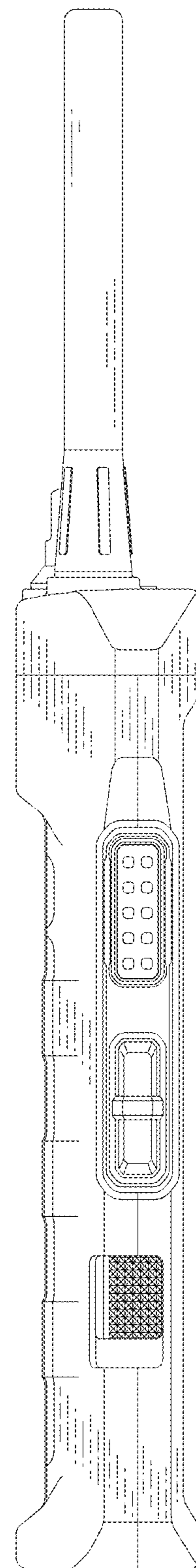


FIG. 4

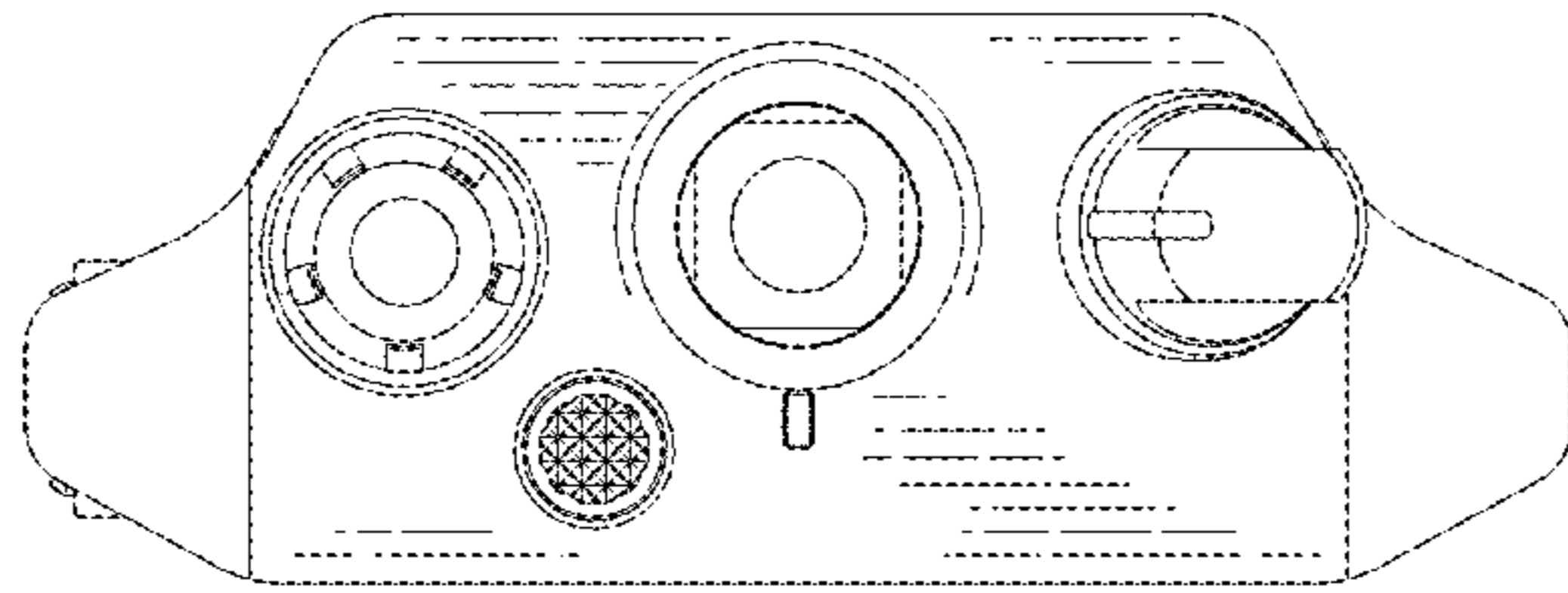


FIG. 5

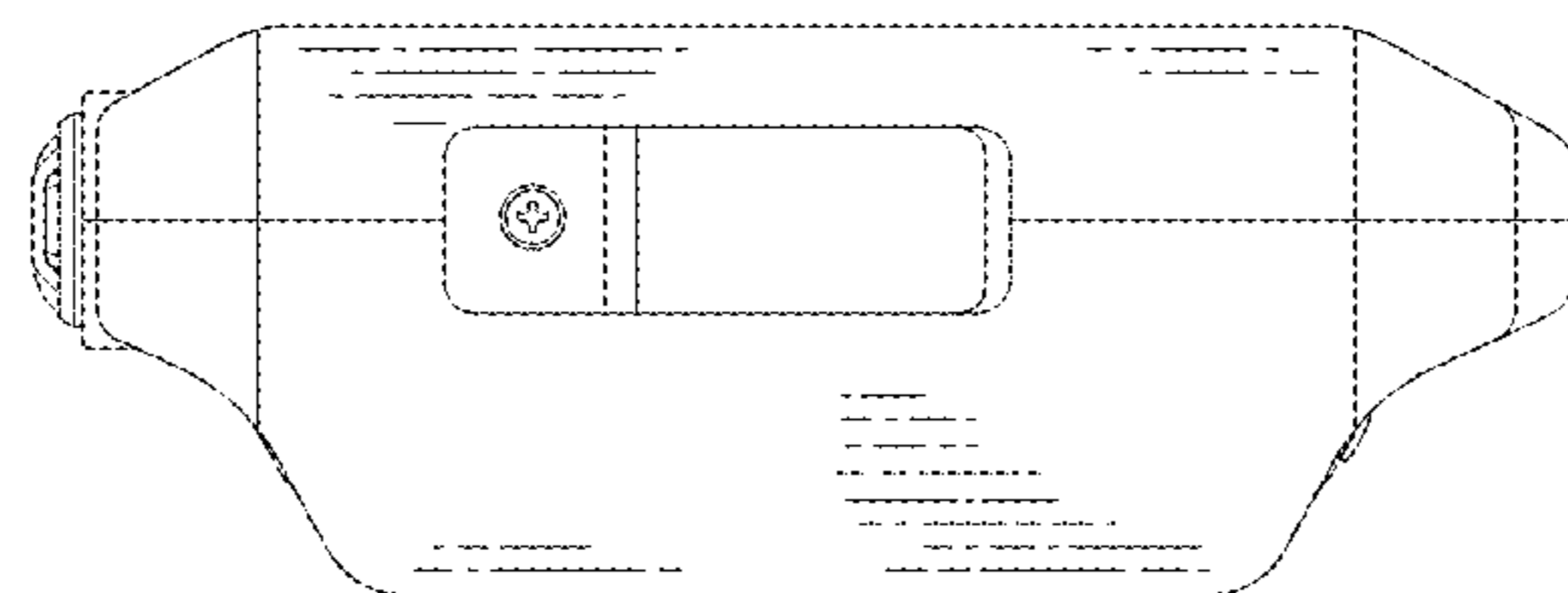


FIG. 6

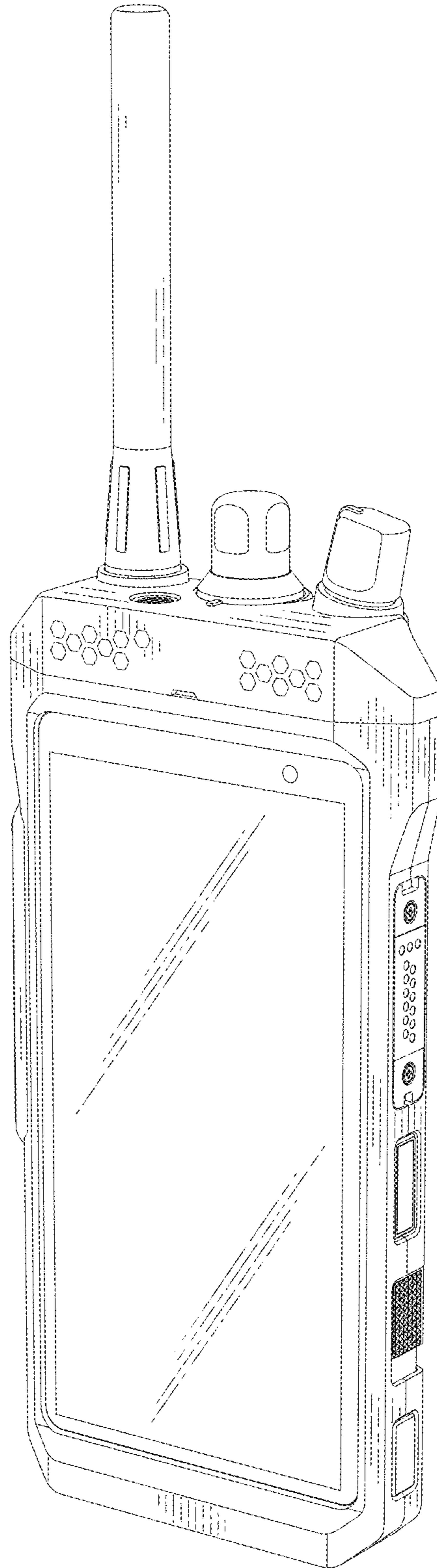


FIG. 7

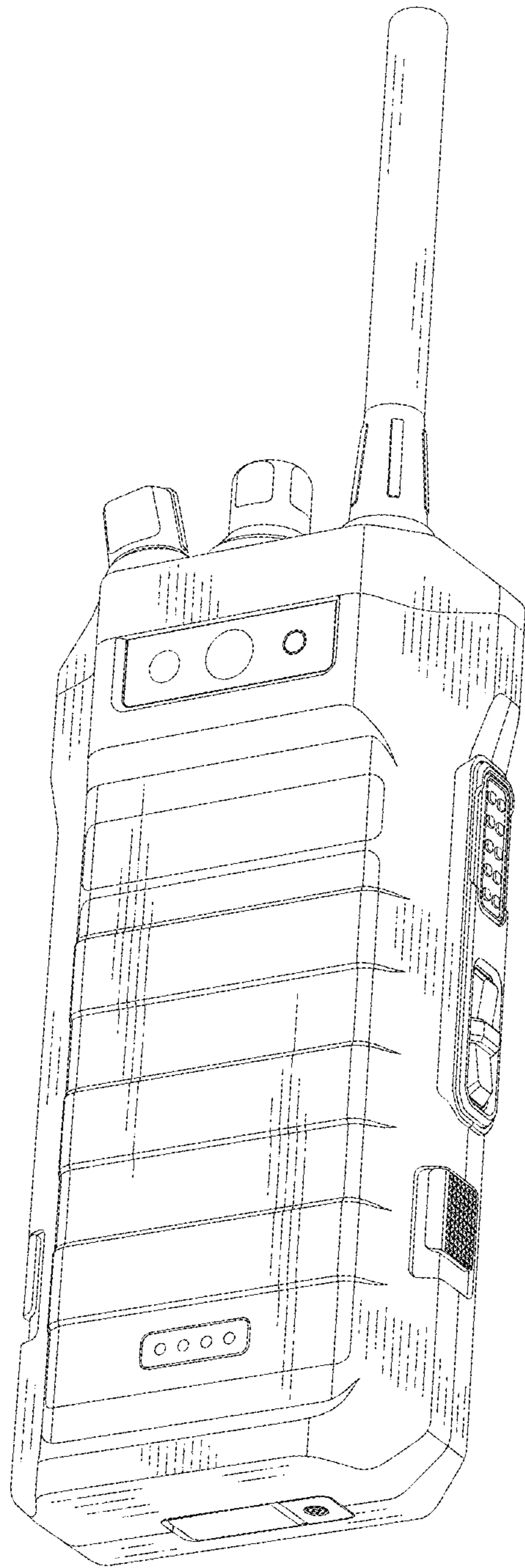


FIG. 8