



US00D923594S

(12) **United States Design Patent** (10) **Patent No.:** **US D923,594 S**  
**Kang et al.** (45) **Date of Patent:** **\*\* Jun. 29, 2021**

(54) **TELEVISION**

(71) Applicant: **LG ELECTRONICS INC.**, Seoul (KR)

(72) Inventors: **Seunggyu Kang**, Seoul (KR);  
**Hyuncheol Cho**, Seoul (KR);  
**Woohyuk Choi**, Seoul (KR)

(73) Assignee: **LG ELECTRONICS INC.**, Seoul (KR)

(\*\*) Term: **15 Years**

(21) Appl. No.: **35/508,496**

(22) Filed: **May 31, 2019**

(80) **Hague Agreement Data**

Int. Filing Date: **May 31, 2019**  
Int. Reg. No.: **DM/205612**  
Int. Reg. Date: **May 31, 2019**  
Int. Reg. Pub. Date: **Feb. 7, 2020**

(30) **Foreign Application Priority Data**

Dec. 3, 2018 (KR) ..... 30-2018-0056610

(51) **LOC (13) Cl.** ..... **14-03**

(52) **U.S. Cl.**  
USPC ..... **D14/126; D14/374**

(58) **Field of Classification Search**  
USPC ..... D6/300, 308, 310, 642, 643, 650.1,  
D6/653.15, 654.15, 657, 661, 675;  
D14/125, 126, 127, 128, 129, 132, 134,  
D14/203.3, 203.7, 336, 341, 373-377;  
D16/229, 235, 241; D21/330  
CPC ..... G06F 1/1601; G06F 1/1605; G06F 1/162  
See application file for complete search history.

(56) **References Cited**

**U.S. PATENT DOCUMENTS**

D356,555 S \* 3/1995 Takemasa ..... D14/126  
D710,356 S \* 8/2014 Akana ..... D14/374

D711,874 S \* 8/2014 Cope ..... D14/374  
D719,158 S \* 12/2014 Akana ..... D14/374  
D728,558 S \* 5/2015 Lee ..... D14/336  
D738,375 S \* 9/2015 Lee ..... D14/374  
D785,621 S \* 5/2017 Kim ..... D14/374  
D817,329 S \* 5/2018 Chu ..... D14/374  
D819,030 S \* 5/2018 Seo ..... D14/374  
D836,110 S \* 12/2018 Quijano ..... D14/374

(Continued)

*Primary Examiner* — L. A. Grabenstetter

(74) *Attorney, Agent, or Firm* — Birch, Stewart, Kolasch & Birch LLP

(57) **CLAIM**

The ornamental design for a television, as shown and described.

**DESCRIPTION**

1. Television

1.1 : Front Perspective, with the display shown in a retracted state

1.2 : Front, with the display shown in a retracted state

1.3 : Back, with the display shown in a retracted state

1.4 : Left, with the display shown in a retracted state

1.5 : Right, with the display shown in a retracted state

1.6 : Top, with the display shown in a retracted state

1.7 : Bottom, with the display shown in a retracted state

1.8 : Back Perspective, with the display shown in a retracted state

1.9 : Front Perspective, with the display shown in an extended state

1.10 : Front, with the display shown in an extended state

1.11 : Back, with the display shown in an extended state

1.12 : Left, with the display shown in an extended state

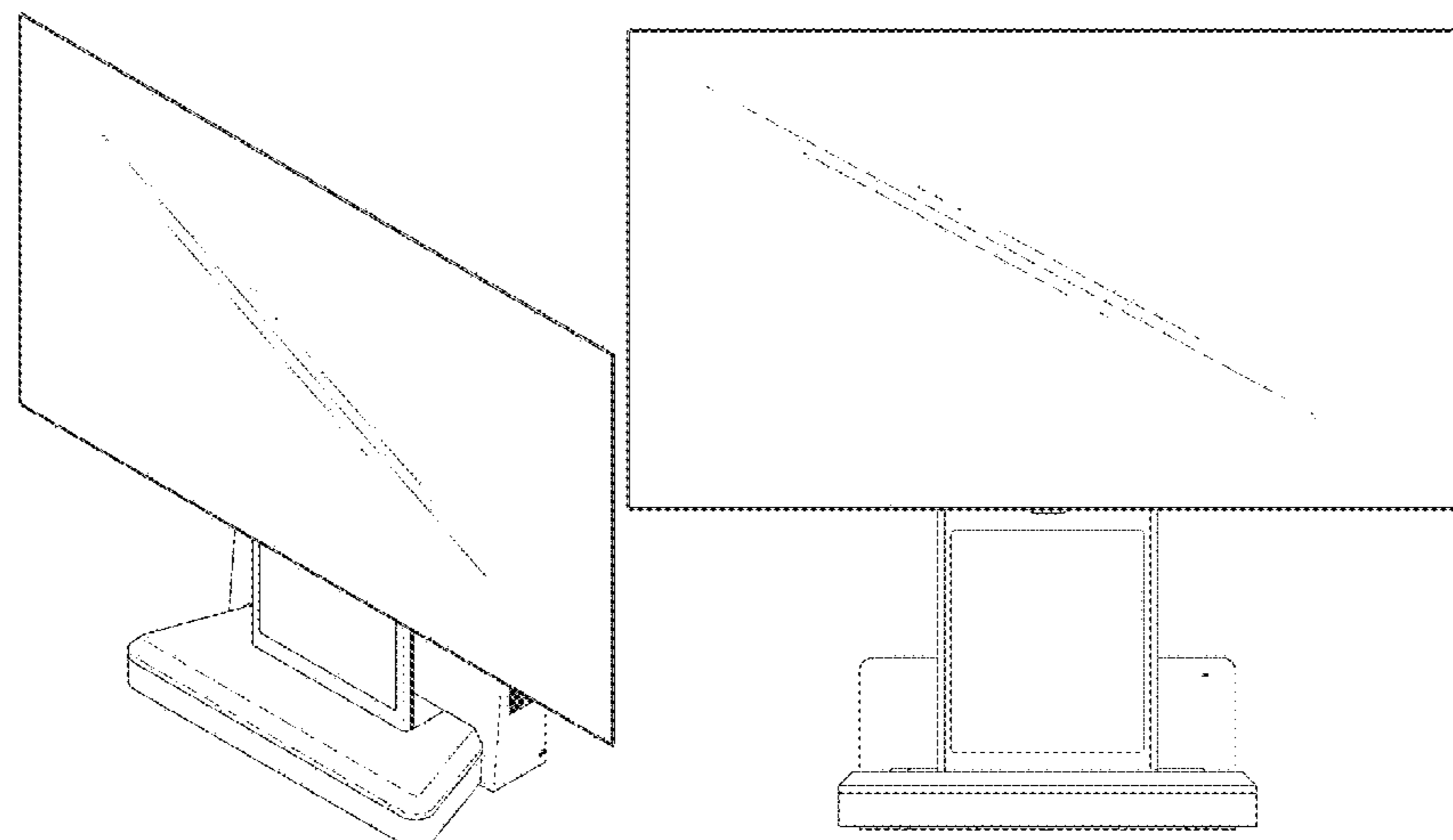
1.13 : Right, with the display shown in an extended state

1.14 : Top, with the display shown in an extended state

1.15 : Bottom, with the display shown in an extended state

The broken lines indicate portions of the article that form no part of the claimed design.

**1 Claim, 15 Drawing Sheets**



(56)

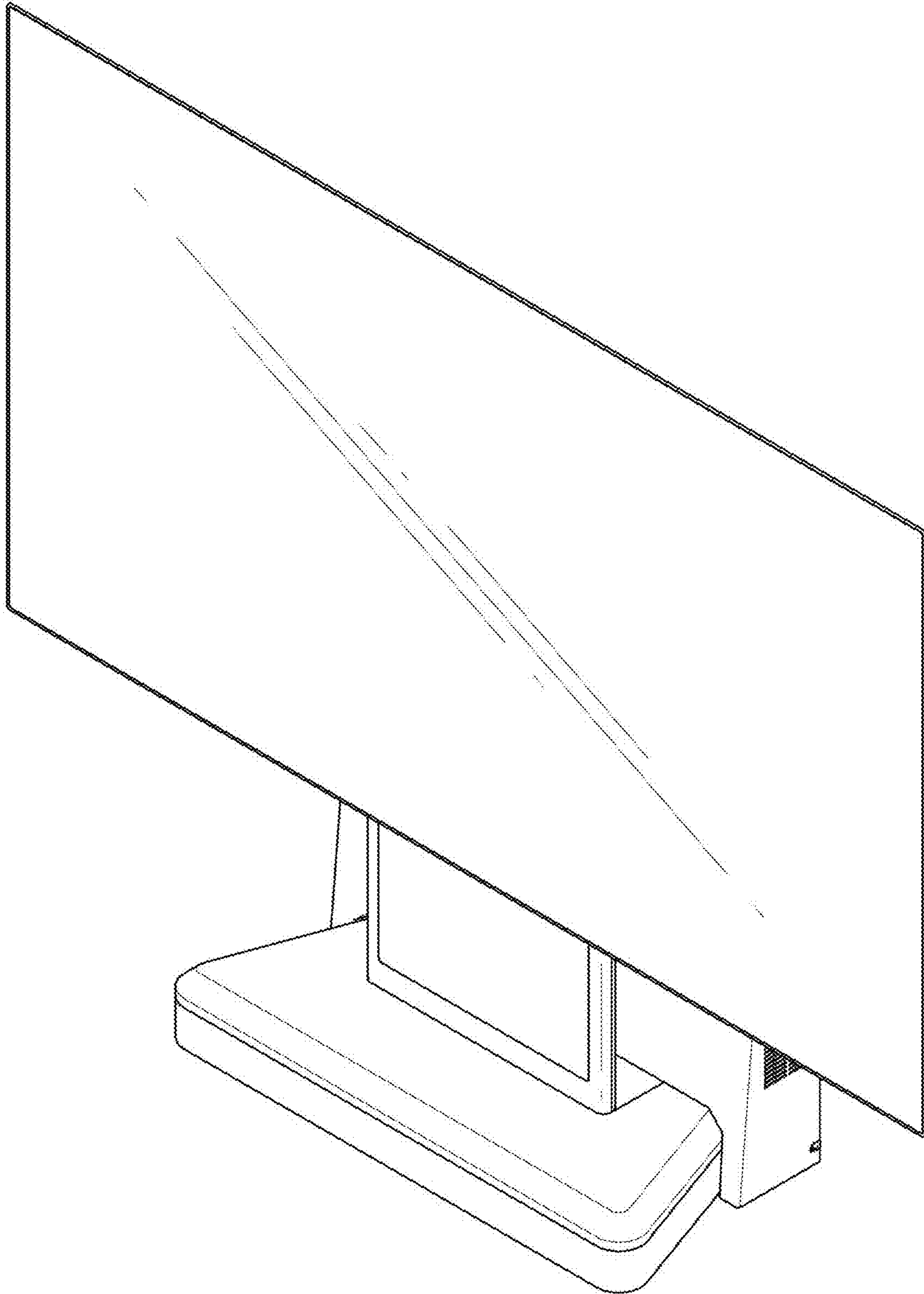
**References Cited**

U.S. PATENT DOCUMENTS

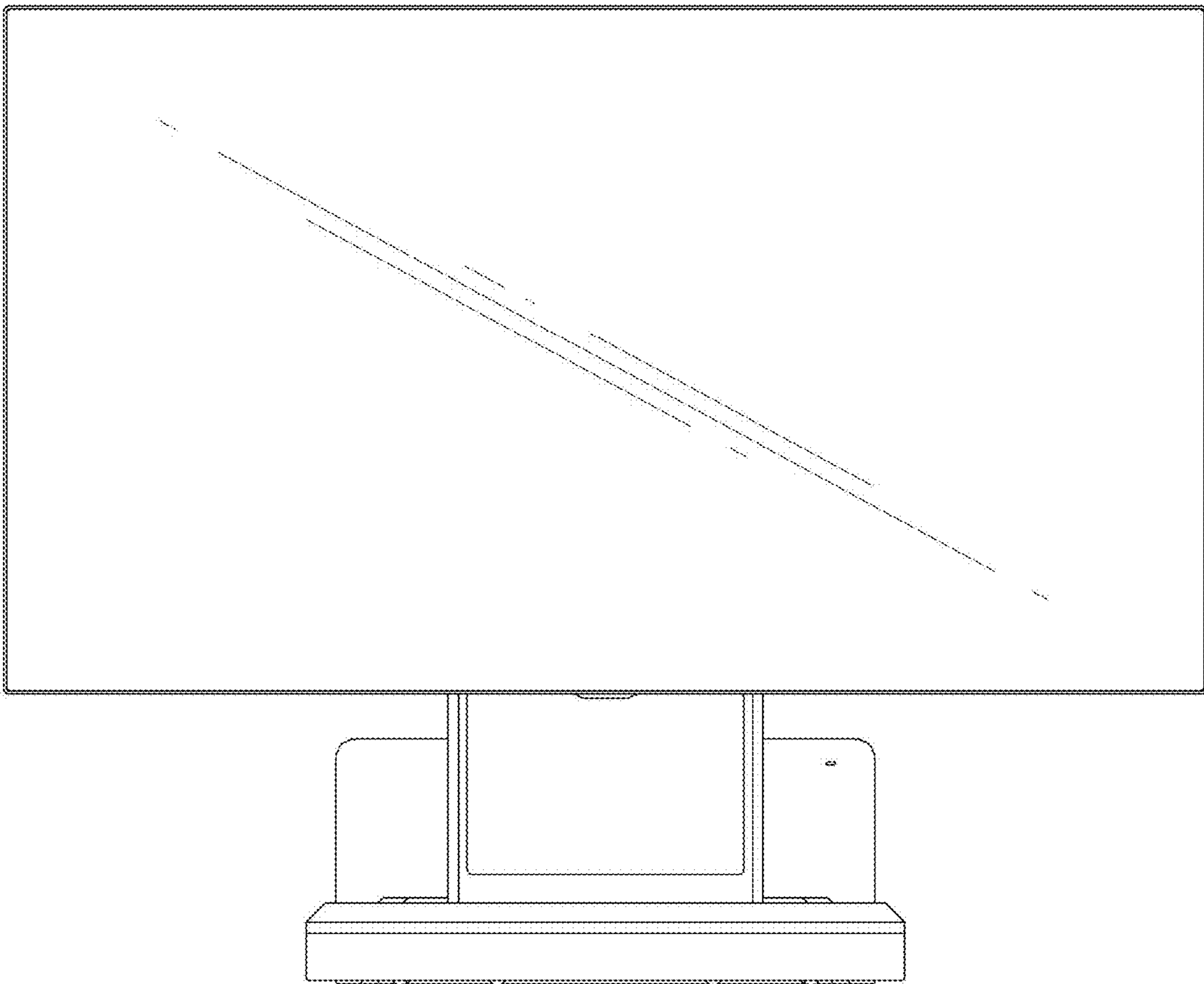
D854,540 S \* 7/2019 Kim ..... D14/336  
D857,695 S \* 8/2019 Kim ..... D14/374

\* cited by examiner

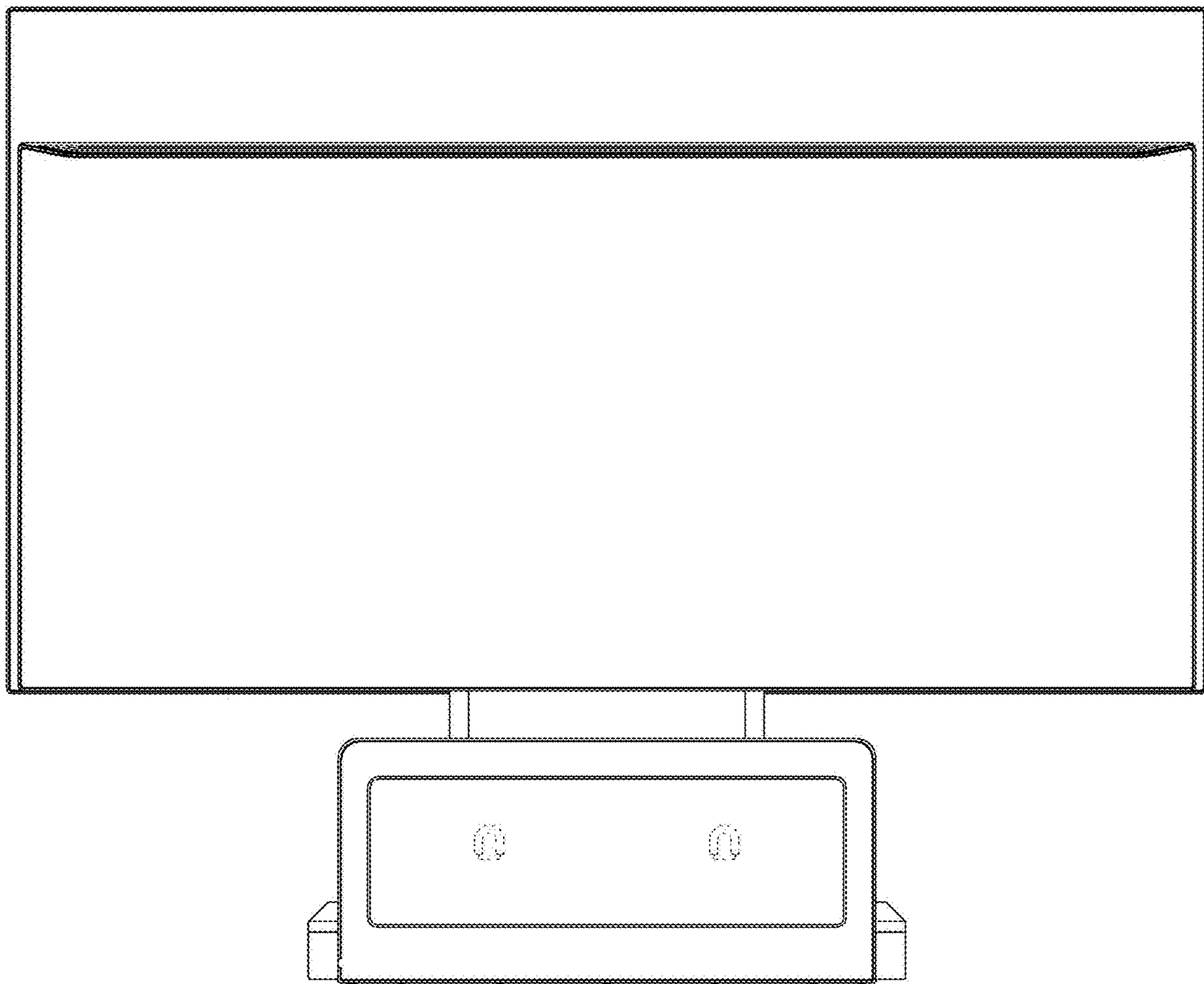
1.1



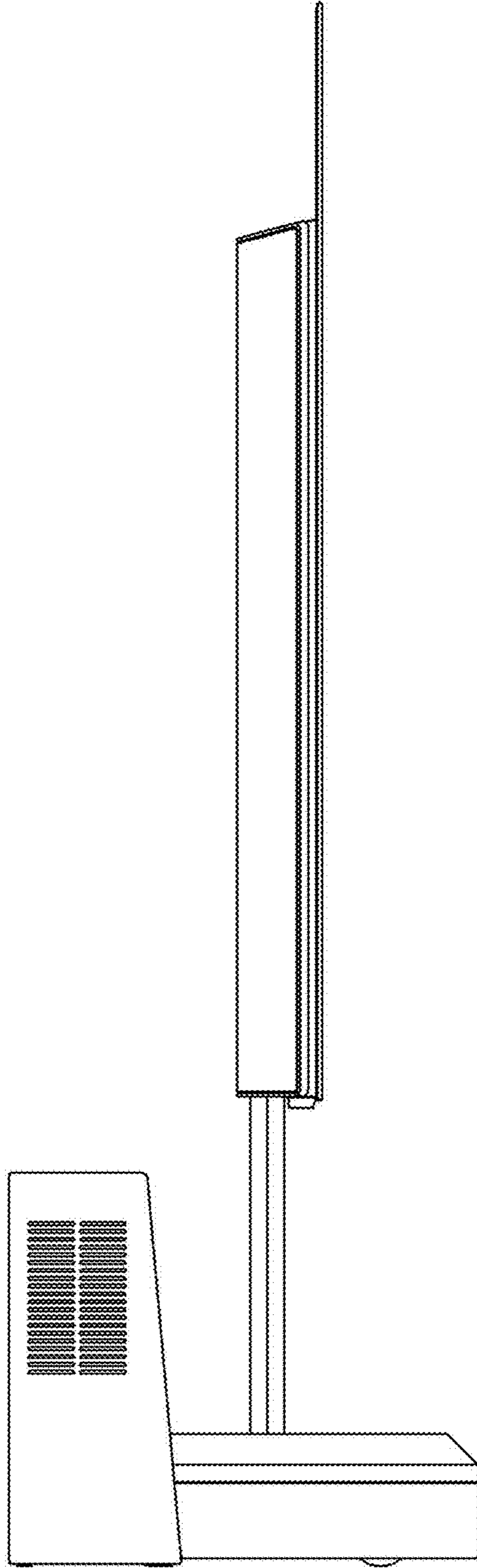
1.2



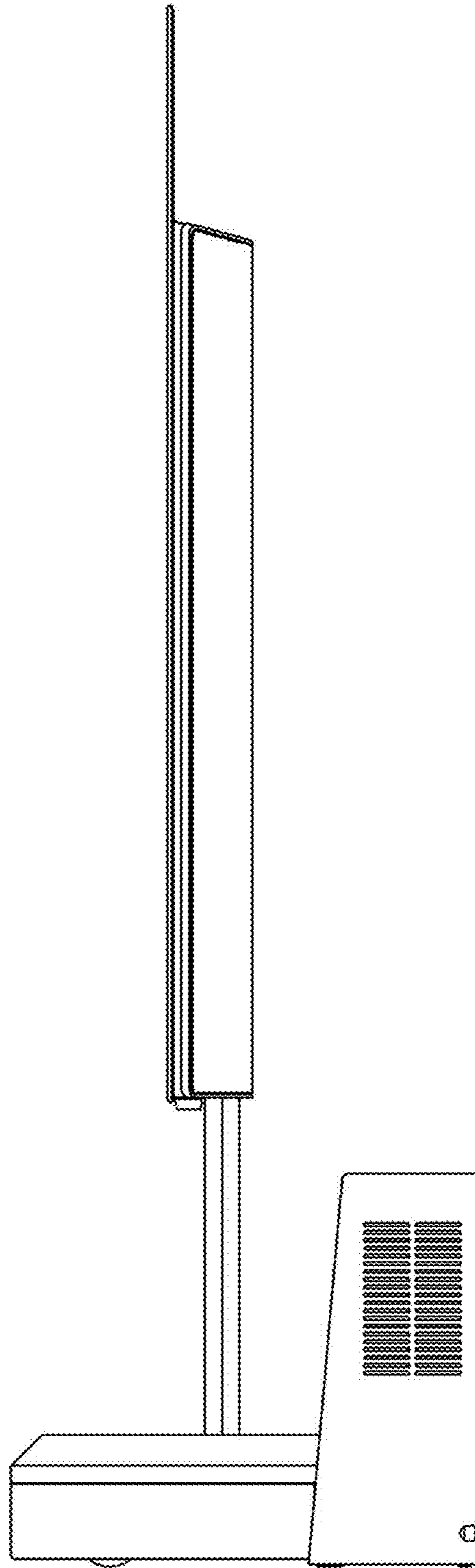
1.3



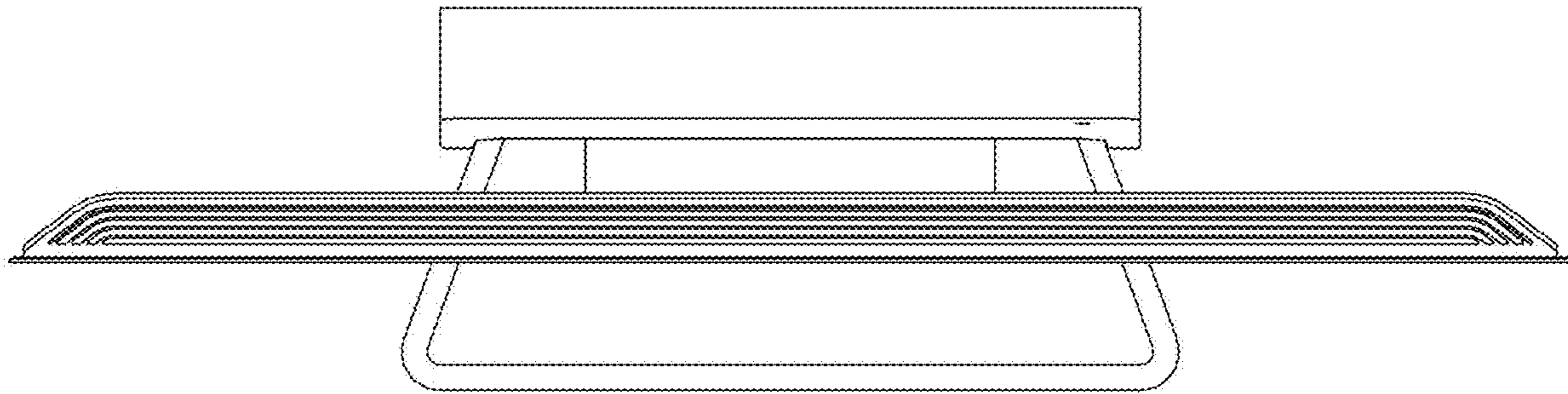
1.4



1.5

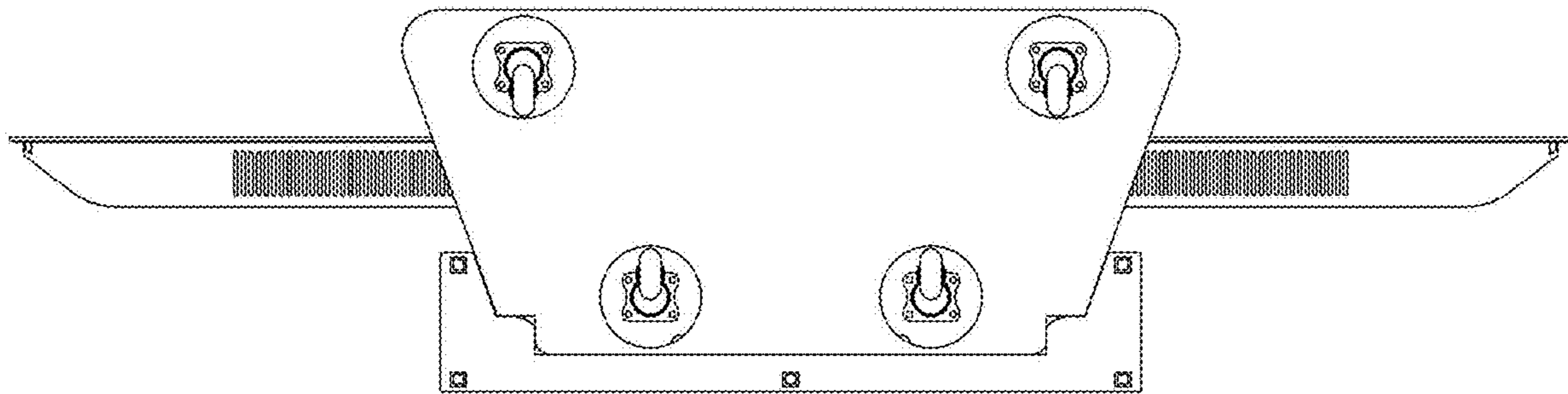


1.6

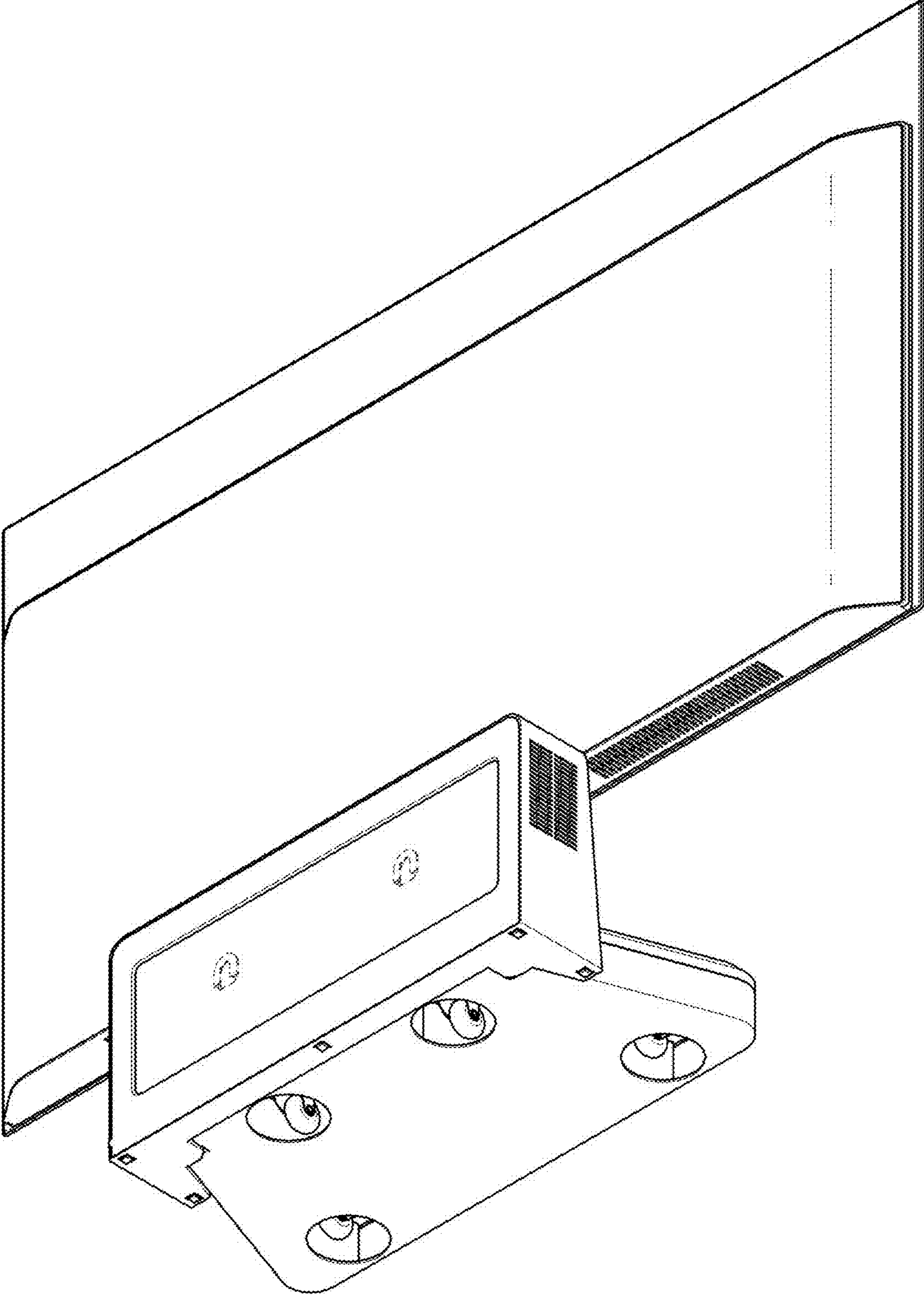




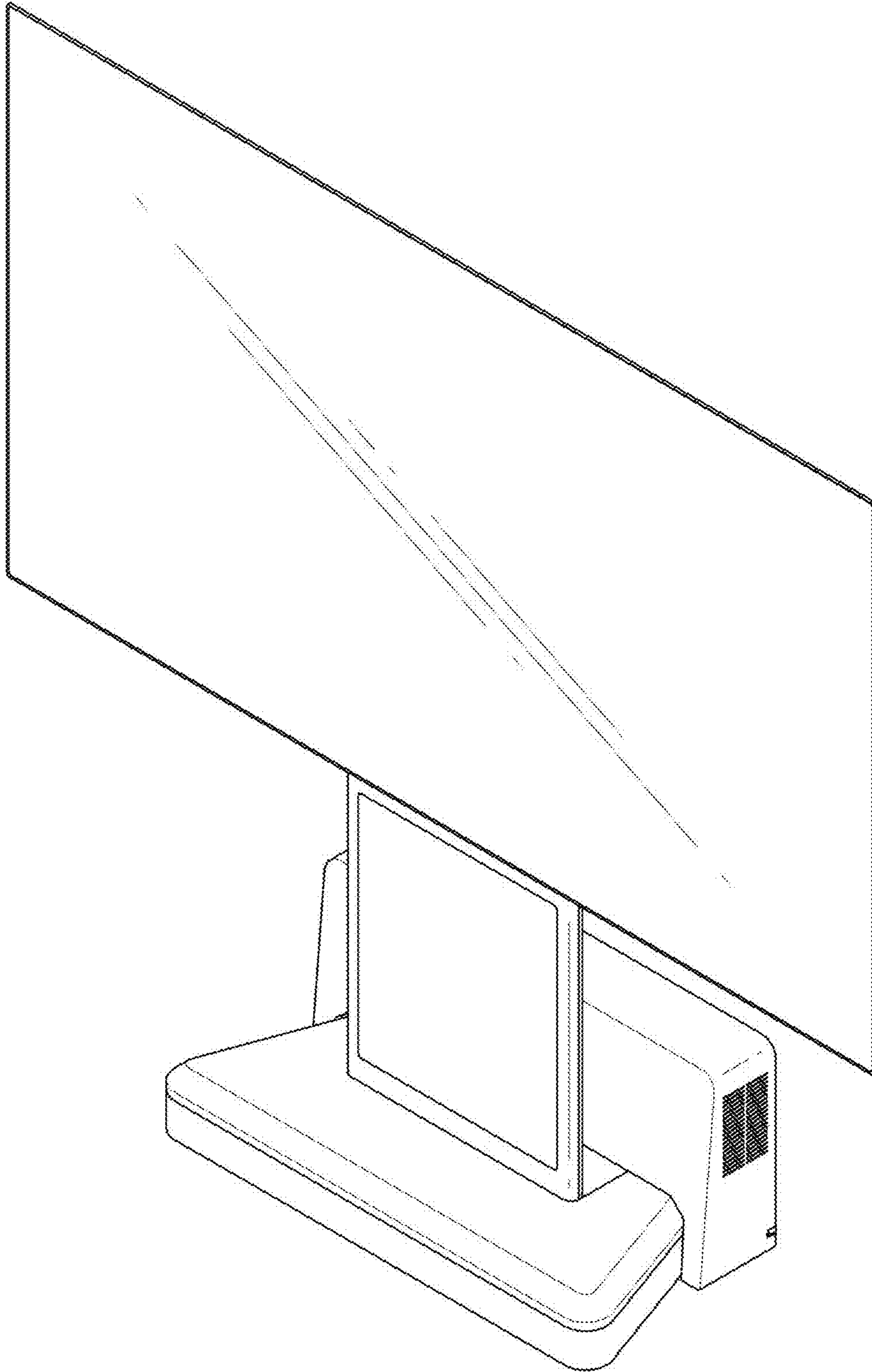
1.7



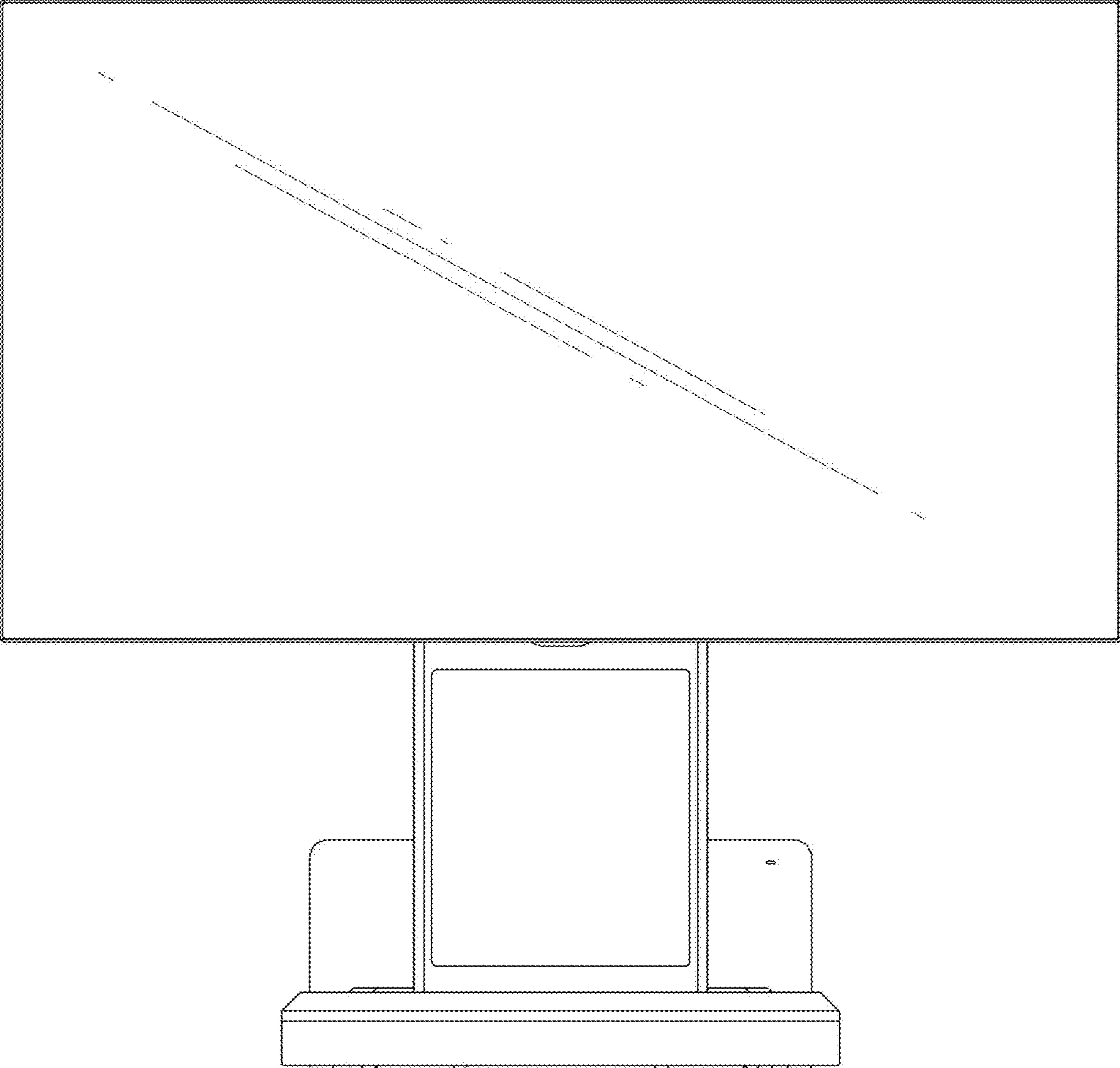
1.8



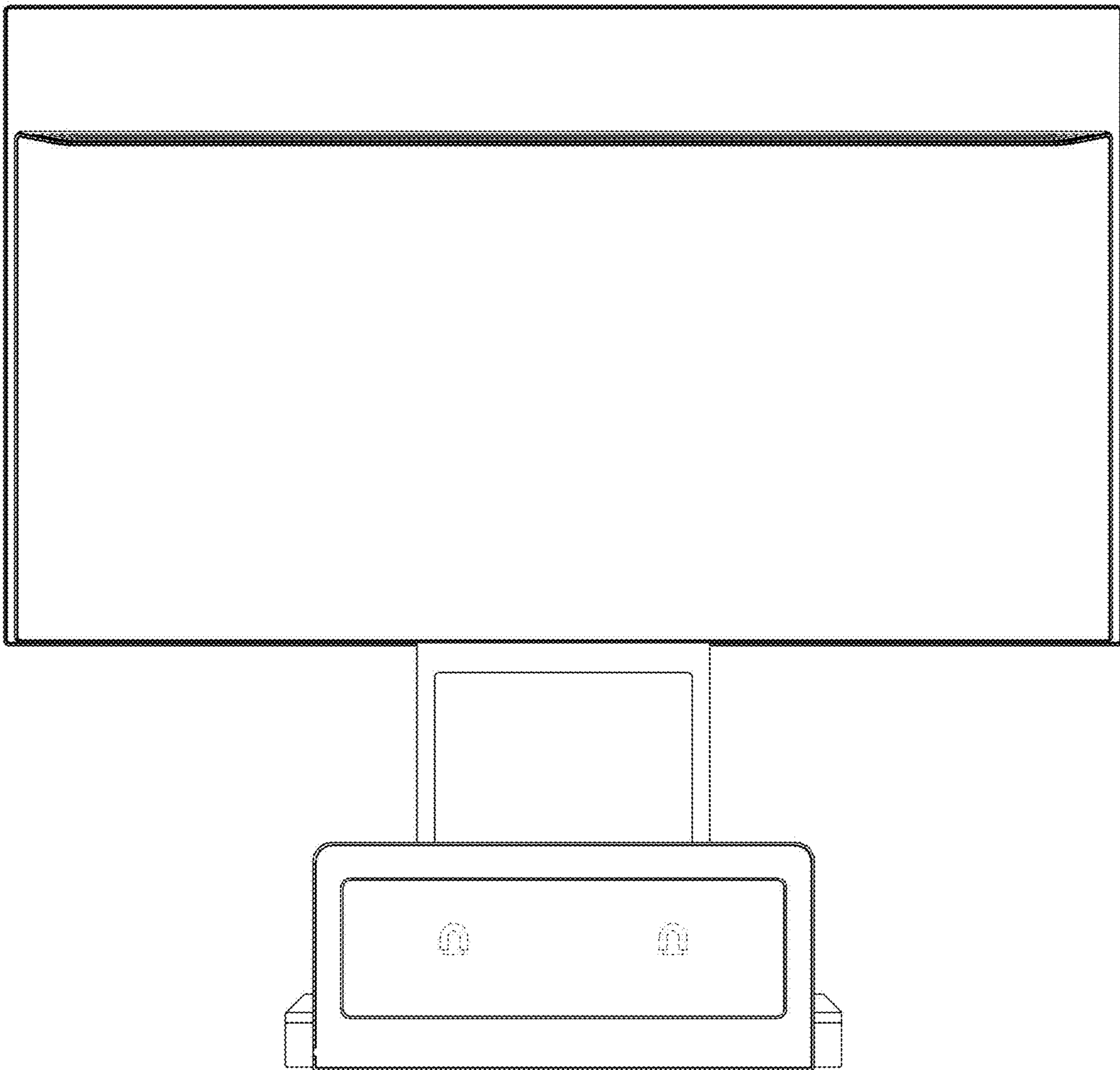
1.9



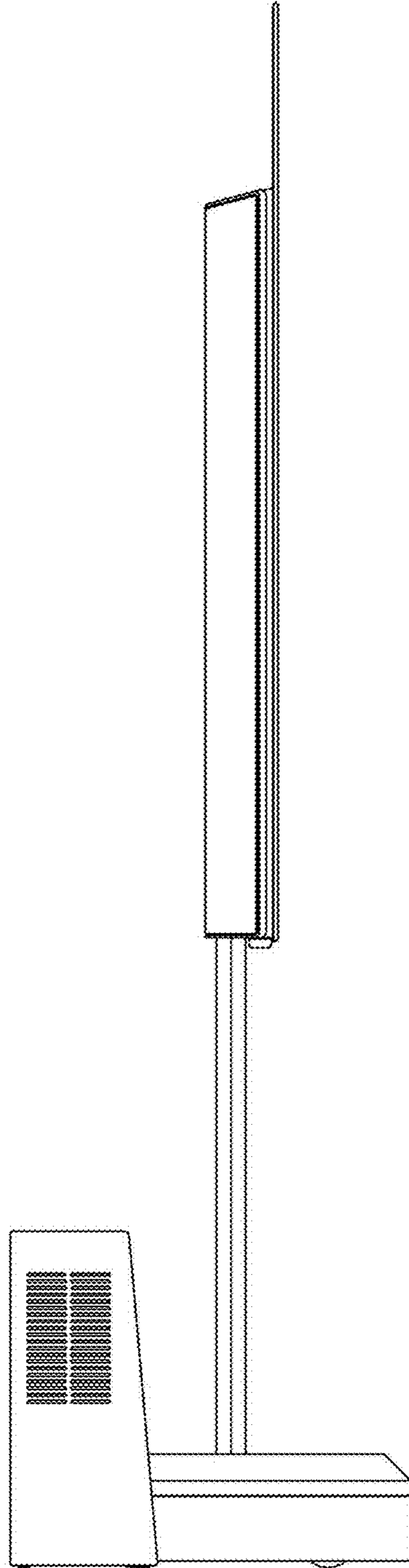
1.10



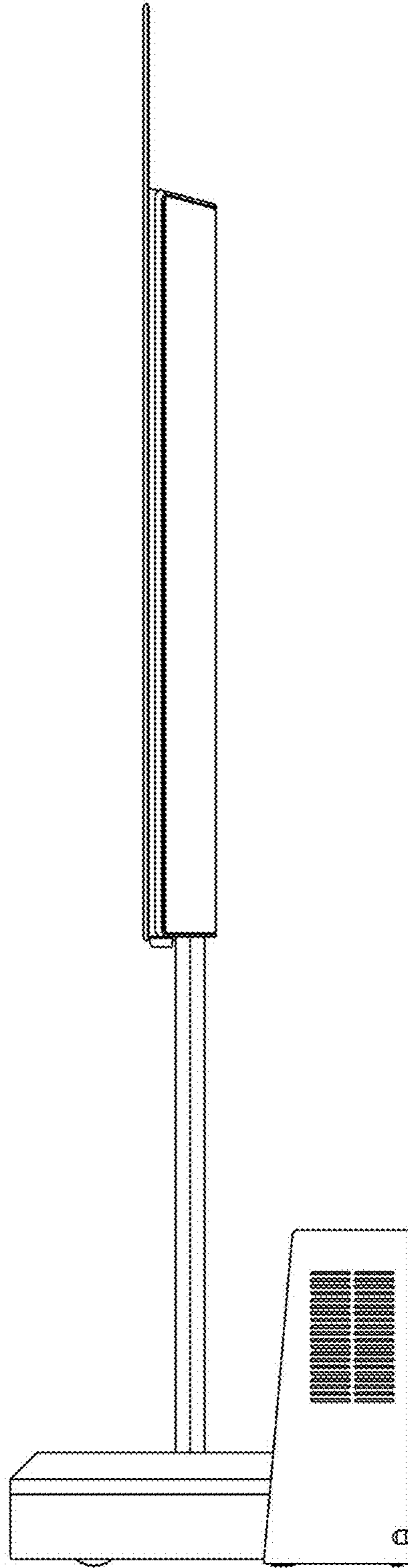
1.11



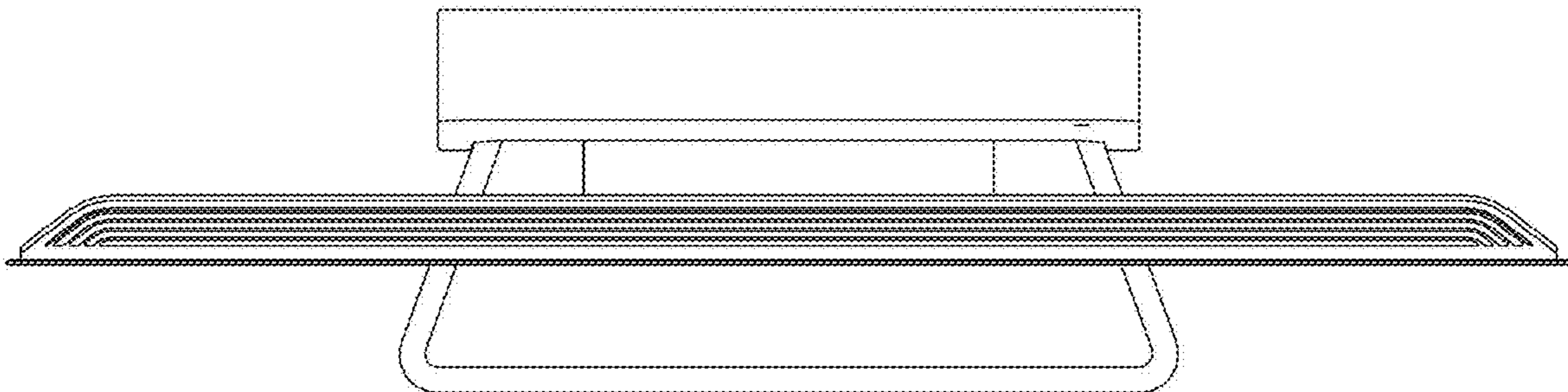
1.12



1.13



1.14





1.15

