

US00D923593S

(12) **United States Design Patent**  
**Kim et al.**

(10) **Patent No.:** **US D923,593 S**  
(45) **Date of Patent:** **\*\* Jun. 29, 2021**

- (54) **TELEVISION SET**
- (71) Applicant: **LG DISPLAY CO., LTD.**, Seoul (KR)
- (72) Inventors: **Junghee Kim**, Paju-si (KR); **InYoung Kim**, Paju-si (KR)
- (73) Assignee: **LG DISPLAY CO., LTD.**, Seoul (KR)
- (\*\*) Term: **15 Years**
- (21) Appl. No.: **29/687,712**
- (22) Filed: **Apr. 15, 2019**

(30) **Foreign Application Priority Data**

- Oct. 16, 2018 (KR) ..... 30-2018-0047563
- (51) **LOC (13) Cl.** ..... **14-03**
- (52) **U.S. Cl.**  
USPC ..... **D14/126**
- (58) **Field of Classification Search**  
USPC ..... D14/125-137, 239, 314-316, 322, 326,  
D14/336, 337, 138 R-138 G,  
D14/203.1-203.8, 217, 238.1, 247-248,  
D14/250-253, 440, 447; D10/65;  
D6/300  
CPC ..... G06F 1/16; G06F 1/1601; G06F 1/1637;  
H04N 5/64; H05K 5/0204; H05K 5/0017;  
H05K 5/0217  
See application file for complete search history.

(56) **References Cited**

**U.S. PATENT DOCUMENTS**

- D246,625 S \* 12/1977 Becker, III ..... D8/403
- D303,457 S \* 9/1989 Stewart ..... D6/300
- D307,078 S \* 4/1990 Guillemet ..... D6/300
- D316,188 S \* 4/1991 Connor ..... D6/300
- D333,607 S \* 3/1993 Isler ..... D12/414
- D422,541 S \* 4/2000 Richter ..... D12/167
- D519,951 S \* 5/2006 Hoehn ..... D14/126
- D528,519 S \* 9/2006 Lin ..... D14/126

- 7,350,646 B2 \* 4/2008 Durrant ..... B65D 81/057  
206/453
- D640,543 S \* 6/2011 Kindig ..... D8/403
- D649,964 S \* 12/2011 Chikuma ..... D14/315
- D668,653 S \* 10/2012 Chiu ..... D14/371
- D674,803 S \* 1/2013 Westrup ..... A45C 3/02  
D14/440
- D702,696 S \* 4/2014 Edwards ..... D14/439
- D775,617 S \* 1/2017 Samson ..... D14/250

(Continued)

**FOREIGN PATENT DOCUMENTS**

- CN 201930165493.8 \* 3/2020
- KR 3020180047563 \* 4/2019

*Primary Examiner* — Barbara Fox

*Assistant Examiner* — Aram Kwon

(74) *Attorney, Agent, or Firm* — Birch, Stewart, Kolasch & Birch, LLP

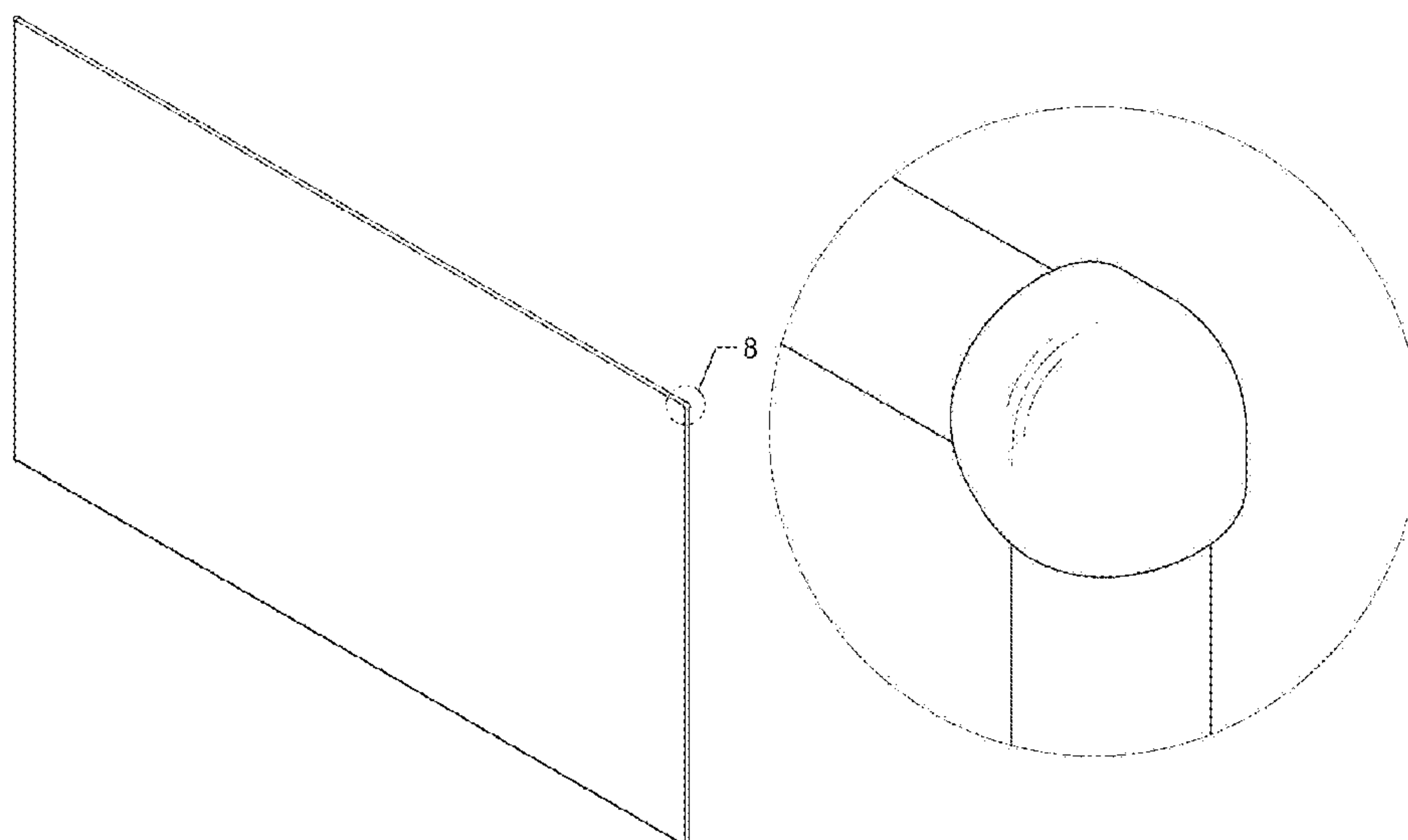
(57) **CLAIM**

The ornamental design for a television set, as shown and described.

**DESCRIPTION**

FIG. 1 is a front, right perspective view of the television set showing our new design;  
 FIG. 2 is a front view thereof;  
 FIG. 3 is a rear view thereof;  
 FIG. 4 is a left side view thereof;  
 FIG. 5 is a right side view thereof;  
 FIG. 6 is a top plan view thereof;  
 FIG. 7 is a bottom plan view thereof;  
 FIG. 8 is an enlarged view of the enclosed portion 8 as illustrated in FIG. 1; and,  
 FIG. 9 is an enlarged view of the enclosed portion 9 as illustrated in FIG. 4.  
 The dot-dot-dash broken line showing in FIGS. 1, 4, 8 and 9 is for the purpose of illustrating partially enlarged views and forms no part of the claimed design.

**1 Claim, 5 Drawing Sheets**



(56)

**References Cited**

U.S. PATENT DOCUMENTS

D784,993	S	*	4/2017	Shih	.....	D14/411
D797,746	S	*	9/2017	Heiss	.....	D14/432
D810,065	S	*	2/2018	Tien	.....	D14/250
D810,732	S	*	2/2018	Fenton	.....	D14/341
D852,799	S	*	7/2019	Fenton	.....	D14/440
D856,952	S	*	8/2019	Kim	.....	D14/126
D871,413	S	*	12/2019	Heiss	.....	D14/432
2012/0234716	A1	*	9/2012	Chen	.....	G06F 1/1626
						206/472
2013/0258619	A1	*	10/2013	Ley	.....	H05K 7/1461
						361/753

\* cited by examiner

FIG. 1

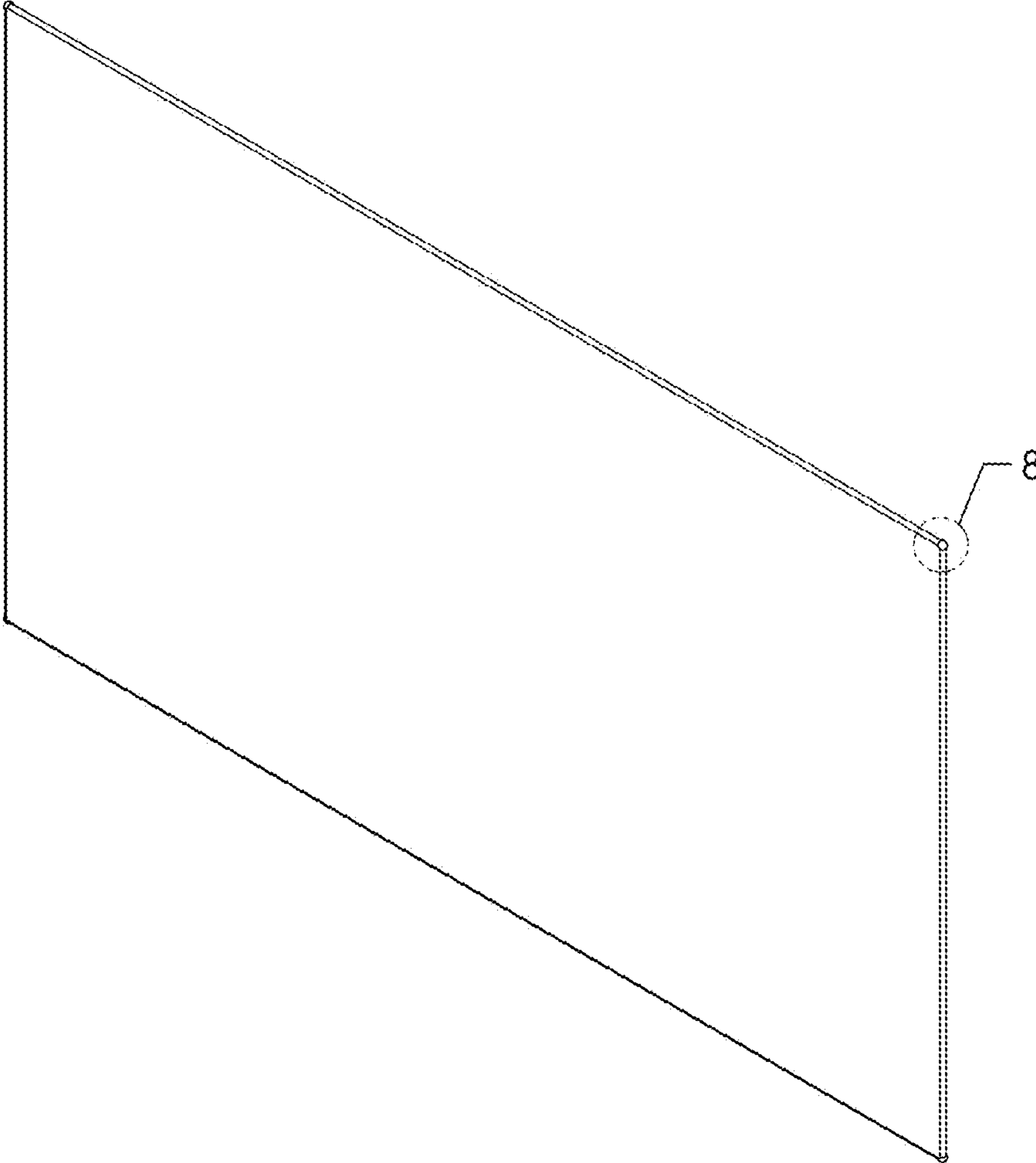


FIG. 2

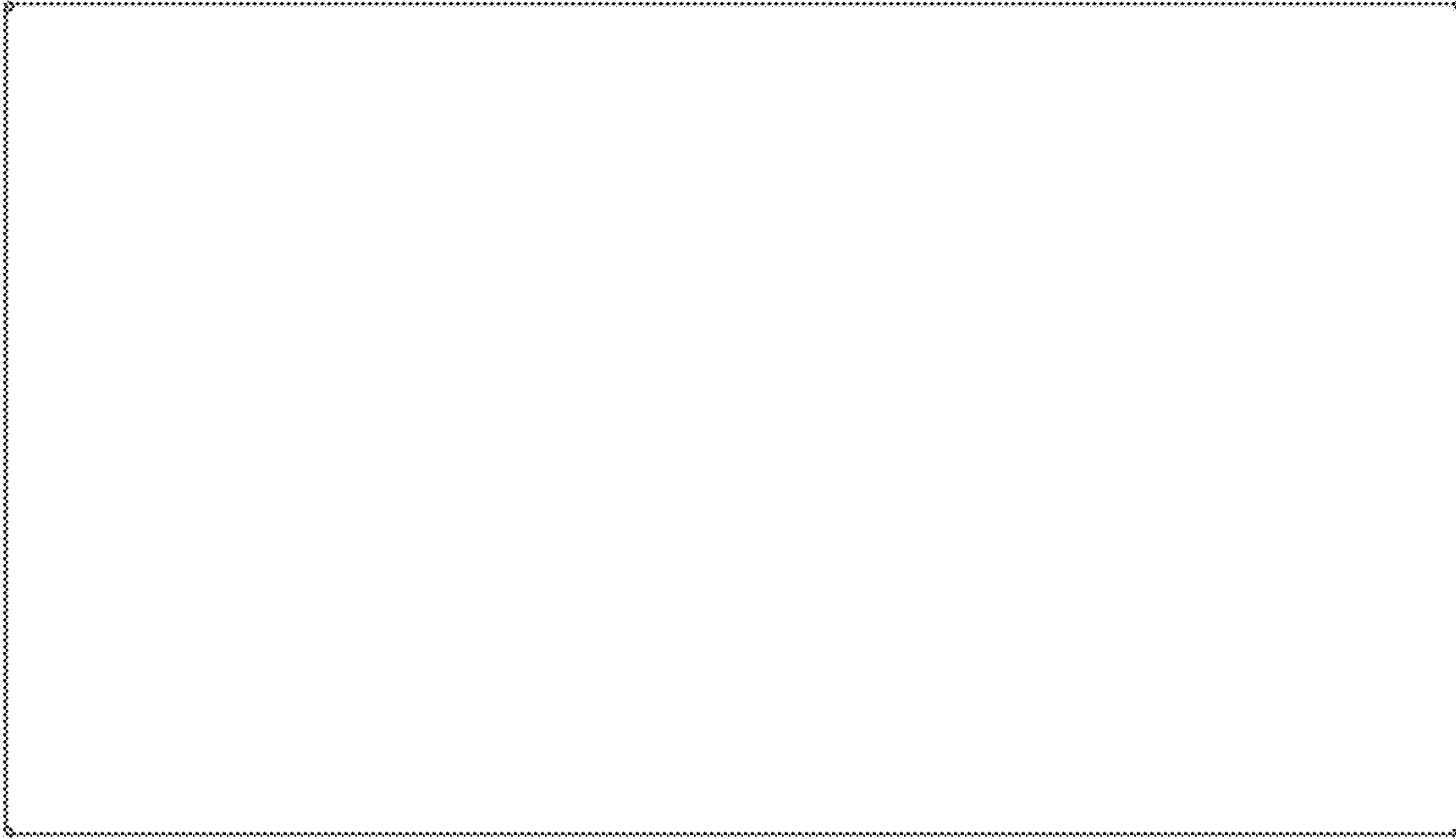


FIG. 3

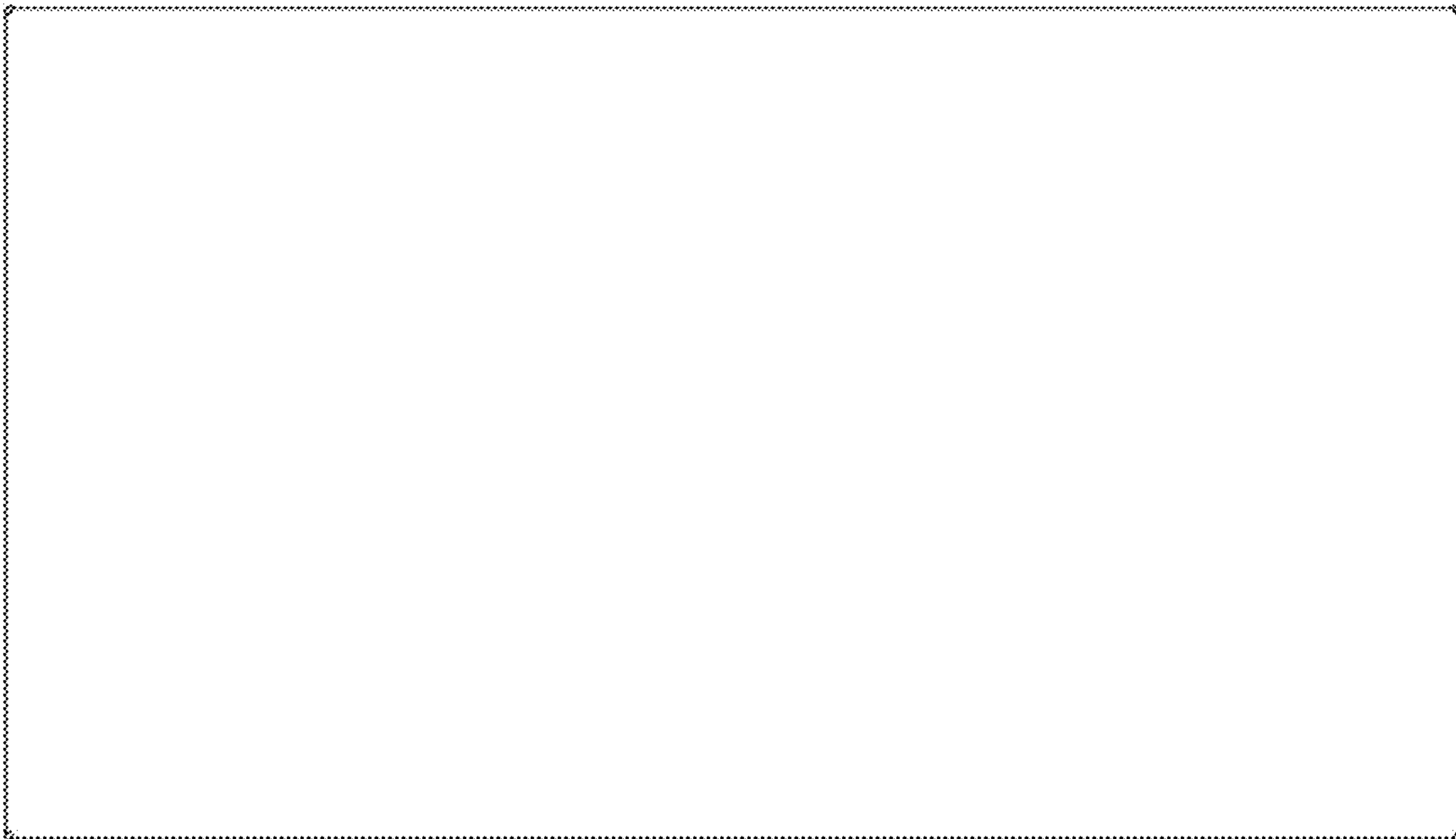


FIG. 4

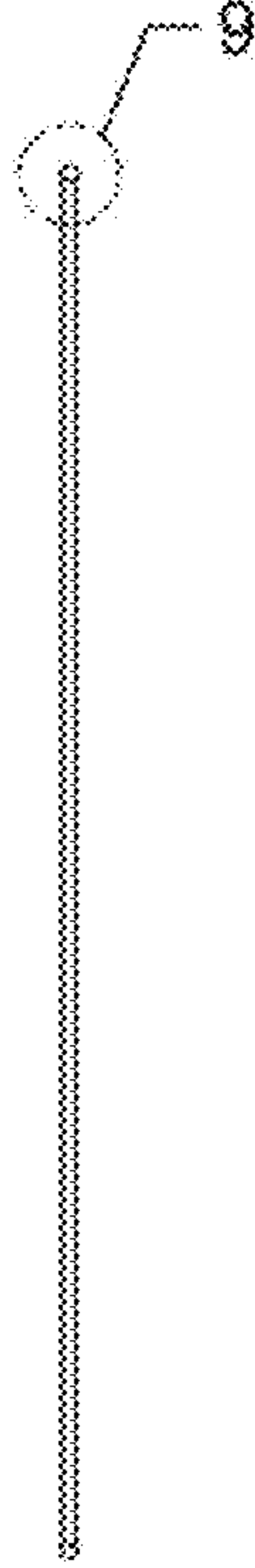


FIG. 5



FIG. 6

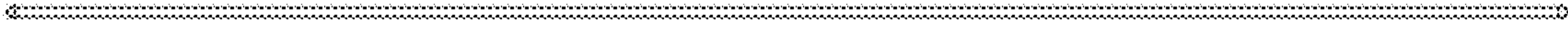


FIG. 7

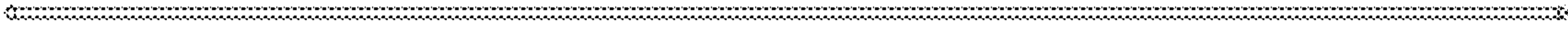


FIG. 8

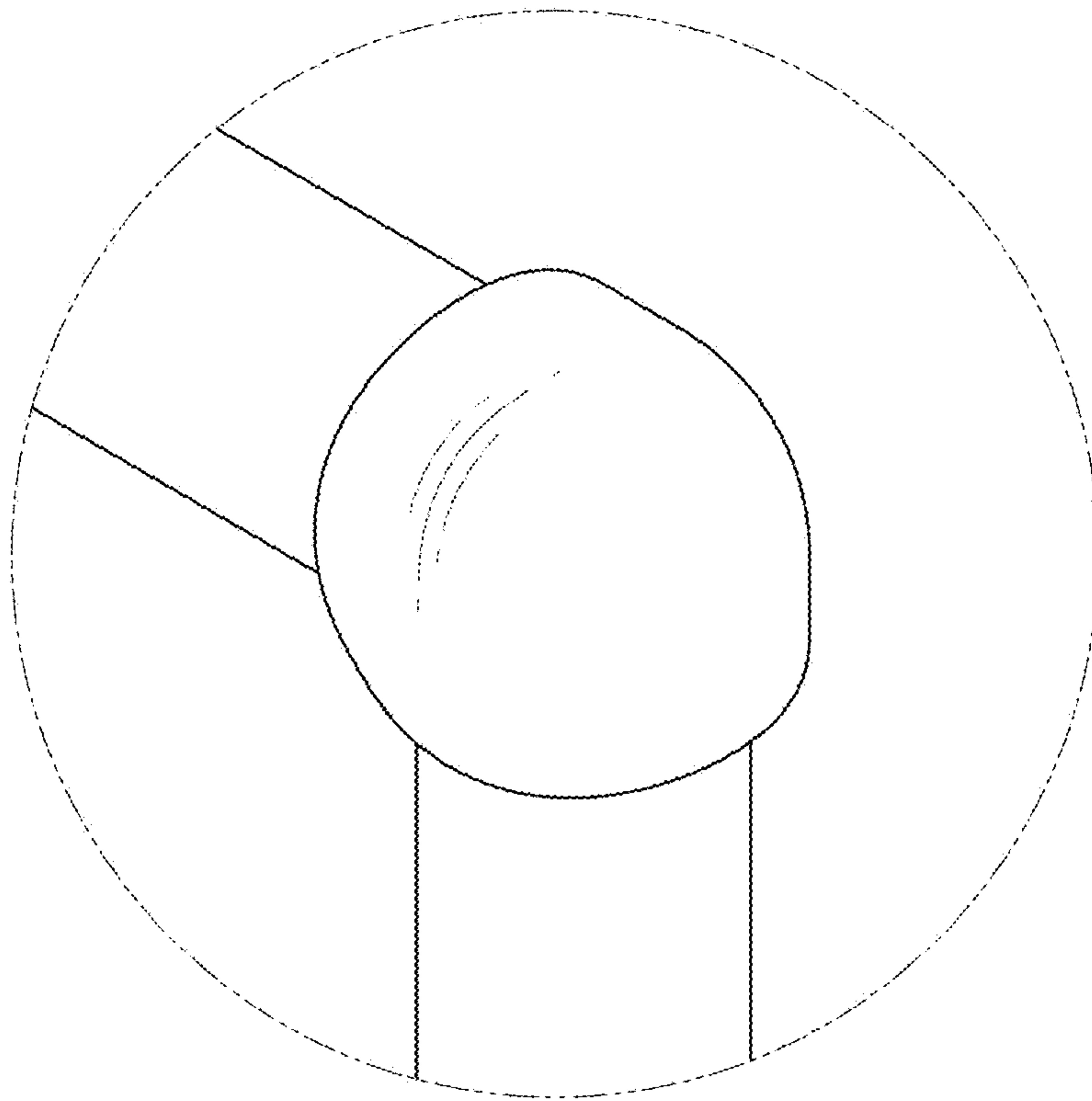


FIG. 9

