



US00D923588S

(12) **United States Design Patent** (10) **Patent No.:** **US D923,588 S**
Zhu (45) **Date of Patent:** **** Jun. 29, 2021**

(54) **LIGHTING CONTROLLER**

(71) Applicant: **Ganzhou Shangjie Technology Co., Ltd.**, Ganzhou (CN)
(72) Inventor: **Jianjun Zhu**, Ganzhou (CN)
(73) Assignee: **GANZHOU SHANGJIE TECHNOLOGY CO., LTD.**, Ganzhou (CN)

(**) Term: **15 Years**

(21) Appl. No.: **29/717,770**

(22) Filed: **Dec. 19, 2019**

(51) **LOC (13) Cl.** **14-03**

(52) **U.S. Cl.**
USPC **D13/168**

(58) **Field of Classification Search**
USPC D13/168; D14/155, 205, 218, 223, 240, D14/356, 358, 388
CPC G08C 17/02; G08C 19/00; G08C 19/02; G08C 19/12; G08C 19/28; G08C 23/04; G05B 11/01; H04B 1/202; H05B 45/00; H05B 47/10; H05B 47/19; H03J 9/00; H03J 9/02; H03J 9/04; H03J 9/06; H03J 1/0025; H01H 9/0225; H01H 9/0228; H01H 9/0235; F21S 4/00; F21S 4/10; F21S 4/28

See application file for complete search history.

(56) **References Cited**

U.S. PATENT DOCUMENTS

D346,152 S	*	4/1994	Zaugg	D13/168
D361,058 S		8/1995	Domel et al.		
D450,337 S		11/2001	Hamamura		
D496,653 S	*	9/2004	Townsend	D14/240
D502,929 S	*	3/2005	Copeland	D13/168
D520,991 S	*	5/2006	Ma	D14/240
D581,371 S	*	11/2008	Richmond	D13/168

(Continued)

Primary Examiner — Selina Sikder
(74) *Attorney, Agent, or Firm* — Innovation Capital Law Group, LLP; Vic Lin

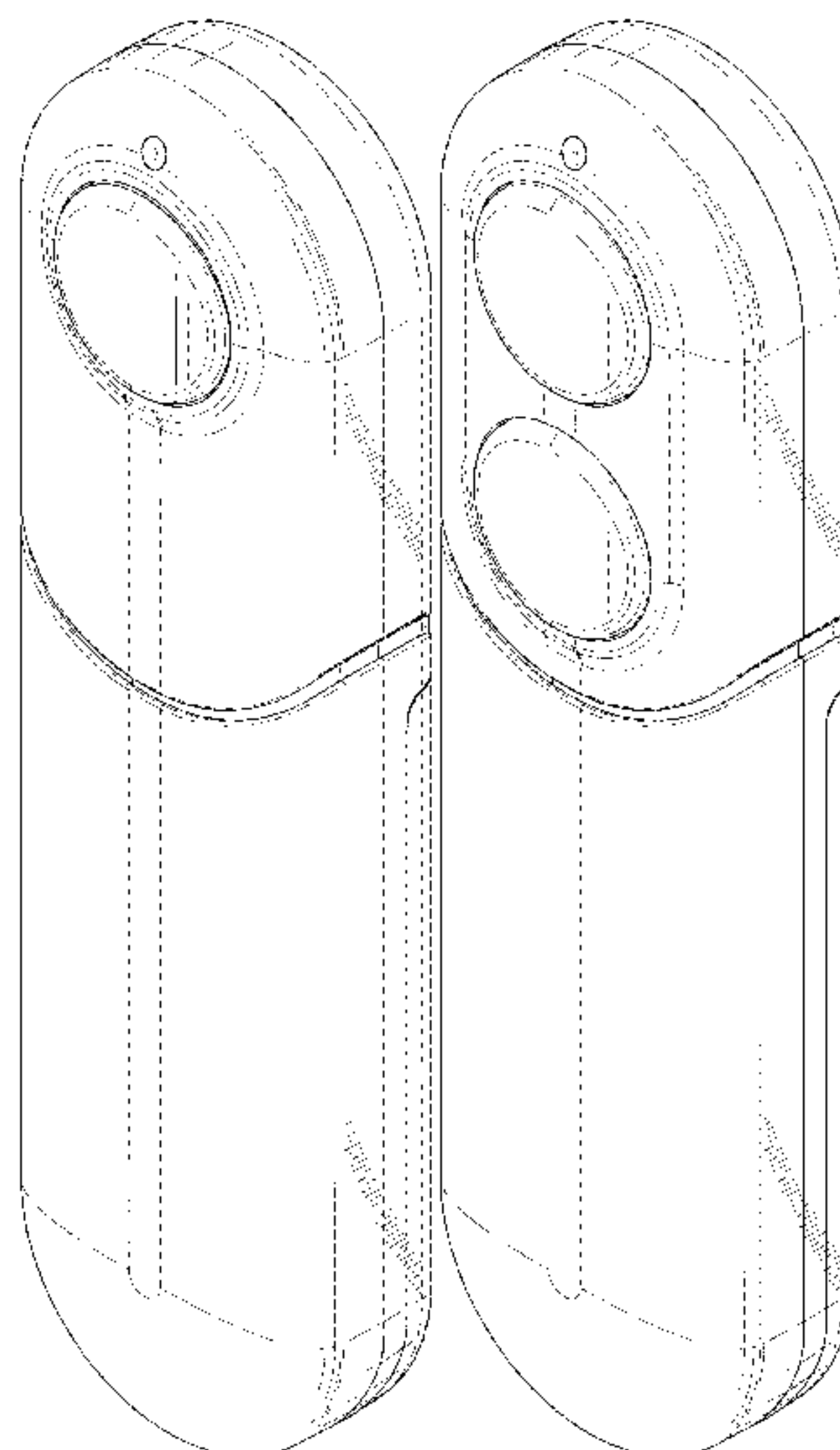
(57) **CLAIM**

The ornamental design for a lighting controller, as shown and described.

DESCRIPTION

FIG. 1 is a front elevation view of a first embodiment of a lighting controller, showing my new design;
FIG. 2 is a rear elevation view of the first embodiment thereof;
FIG. 3 is a right elevation view of the first embodiment thereof;
FIG. 4 is a left elevation view of the first embodiment thereof;
FIG. 5 is a top plan view of the first embodiment thereof;
FIG. 6 is a bottom plan view of the first embodiment thereof;
FIG. 7 is a front perspective view of the first embodiment thereof; and
FIG. 8 is a rear perspective view of the first embodiment thereof;
FIG. 9 is a front elevation view of a second embodiment of a lighting controller, showing my new design;
FIG. 10 is a rear elevation view of the second embodiment thereof;
FIG. 11 is a right elevation view of the second embodiment thereof;
FIG. 12 is a left elevation view of the second embodiment thereof;
FIG. 13 is a top plan elevation view of the second embodiment thereof;
FIG. 14 is a bottom plan view of the second embodiment thereof;
FIG. 15 is a front perspective view of the second embodiment thereof; and,
FIG. 16 is a rear perspective view of the second embodiment thereof.

1 Claim, 16 Drawing Sheets



(56)

References Cited

U.S. PATENT DOCUMENTS

D596,163	S	*	7/2009	Madonna	D14/218
D633,478	S	*	3/2011	Bolton	D14/218
D743,381	S		11/2015	Pi et al.		
D752,555	S	*	3/2016	Langhammer	D14/218
9,332,615	B1		5/2016	Peng		
D763,830	S	*	8/2016	Jones	D14/218
D776,640	S	*	1/2017	Simonian	D14/218
D797,686	S	*	9/2017	McRoberts	D13/168
D805,502	S	*	12/2017	Zhuang	D14/218
D827,587	S		9/2018	Hung		
D830,979	S		10/2018	Hung		
D840,954	S		2/2019	Wu		
D851,626	S		6/2019	Hsieh et al.		
D857,017	S	*	8/2019	Cheng	D14/388
D882,545	S		4/2020	Li		
D887,374	S		6/2020	Gong et al.		
D889,419	S	*	7/2020	Gossens	D13/168
D901,496	S	*	11/2020	Hachiya	D14/358
D910,580	S	*	2/2021	Zhu	D13/168

* cited by examiner

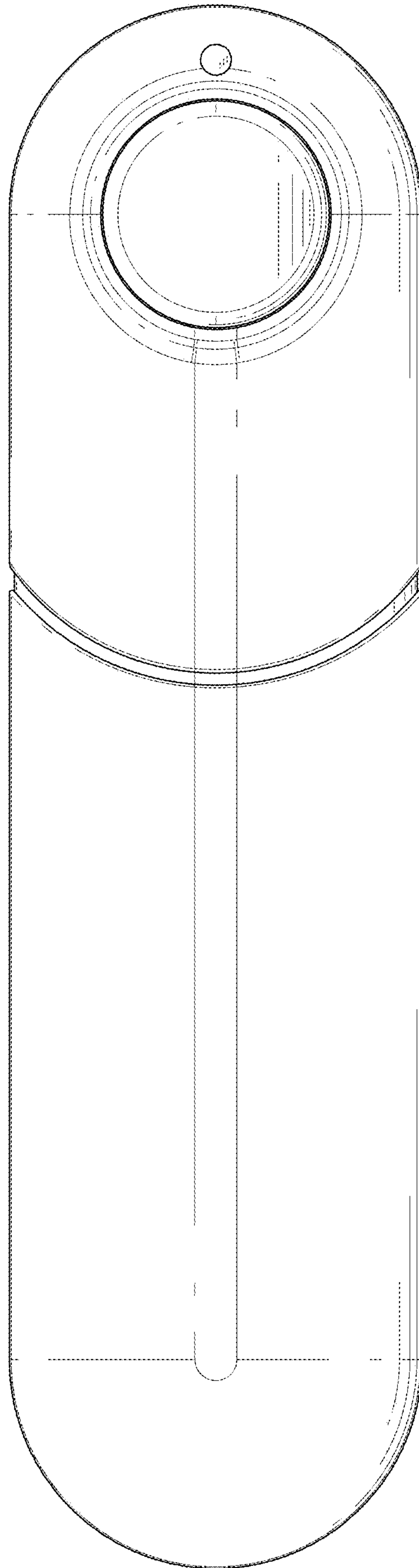


FIG. 1

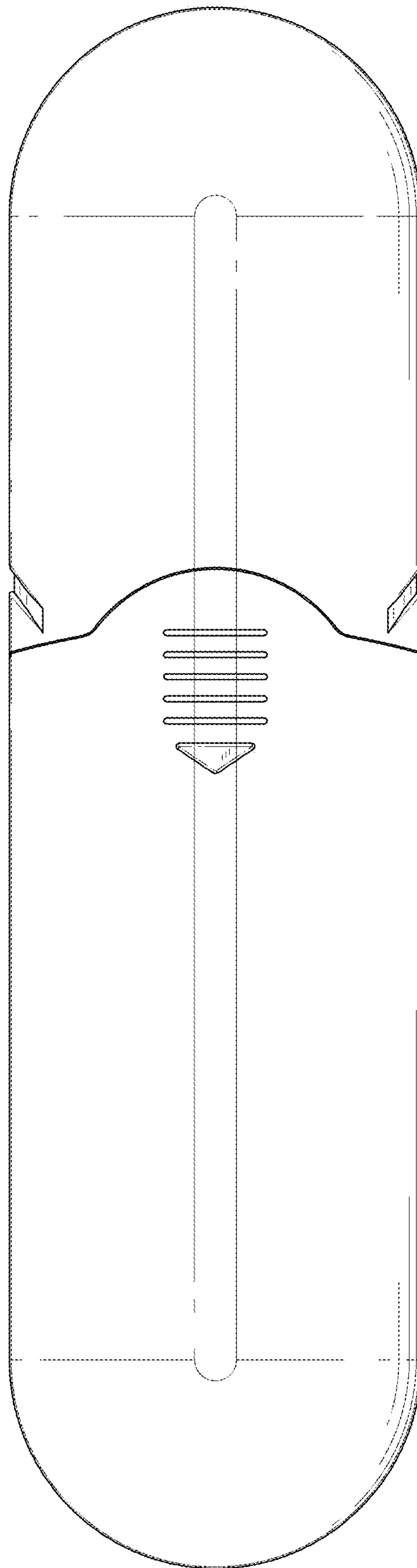


FIG. 2

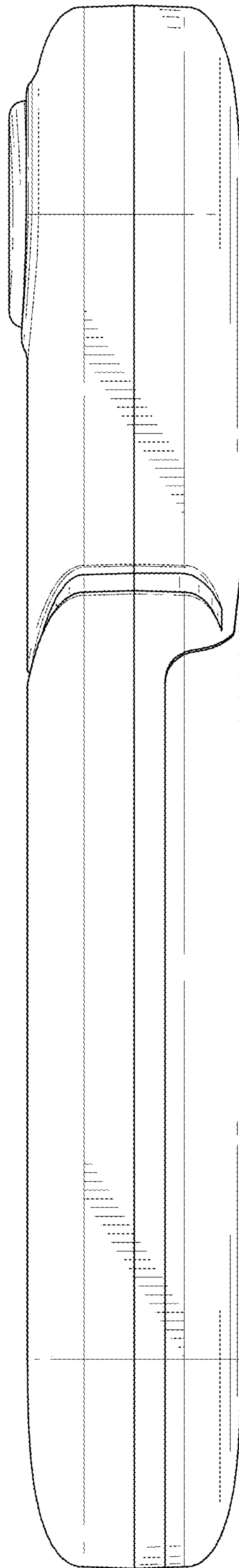


FIG. 3

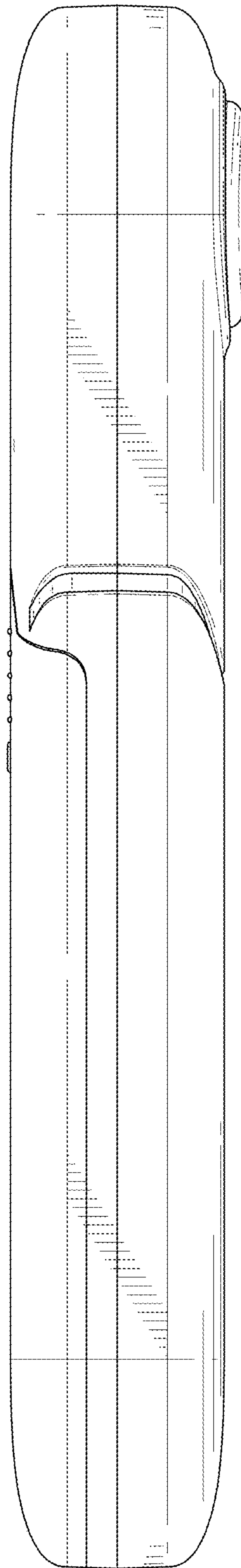


FIG. 4

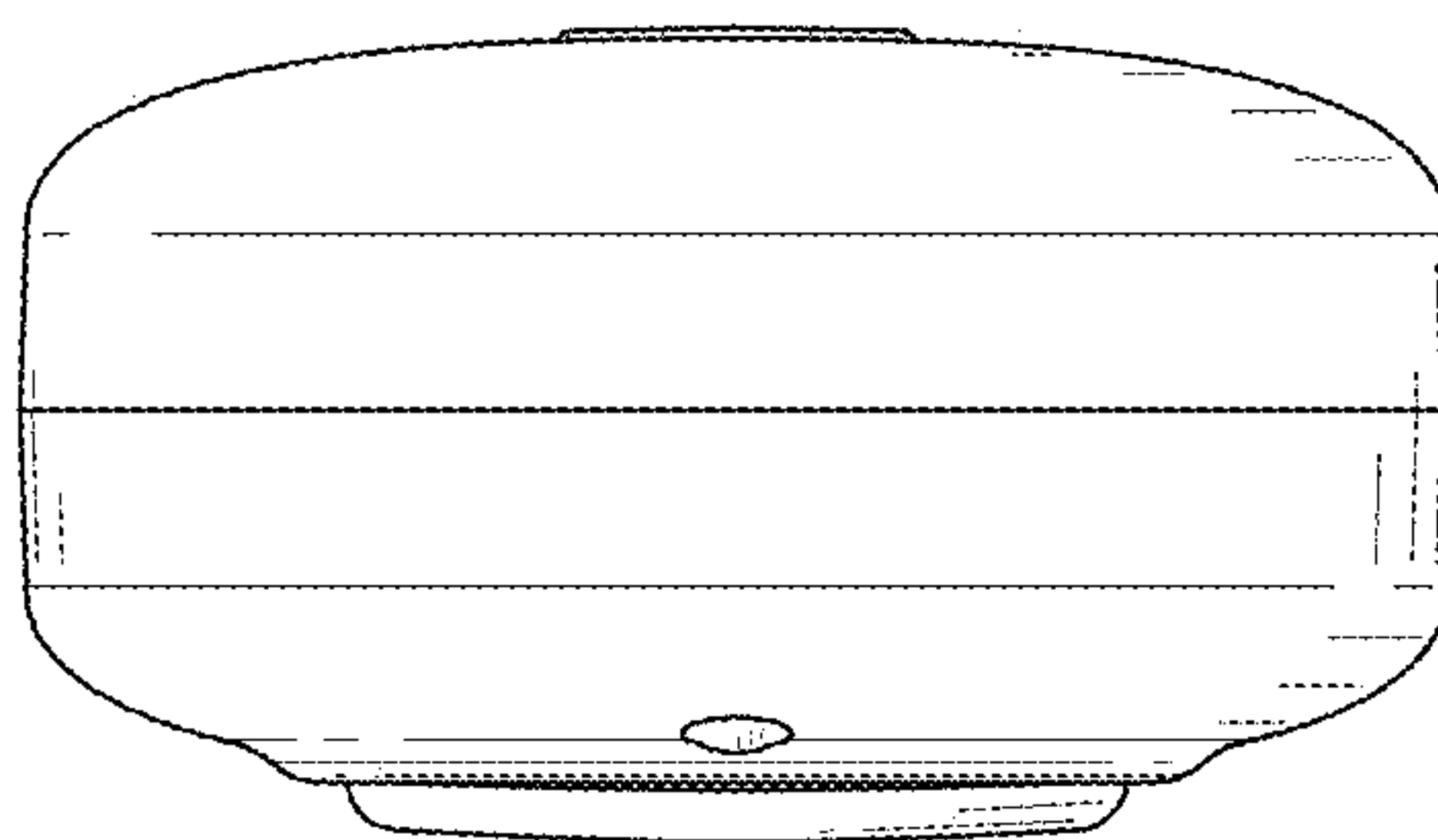


FIG. 5

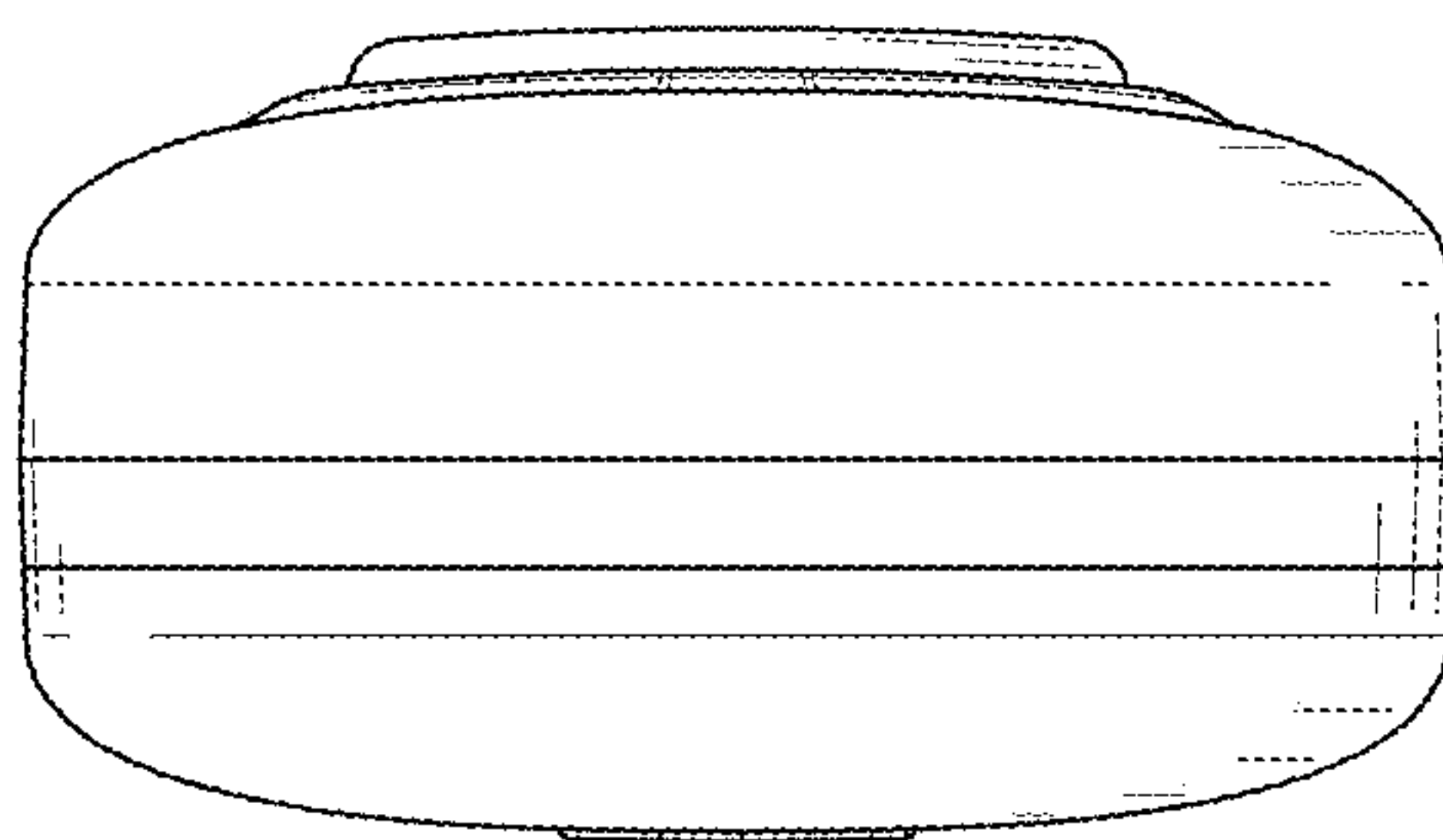


FIG. 6

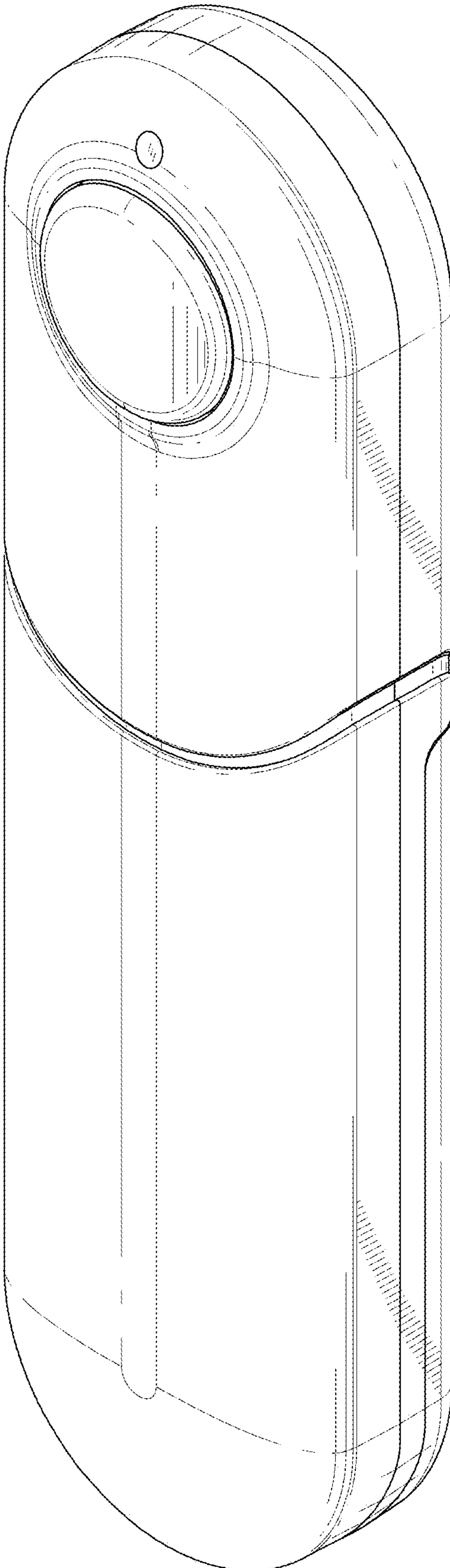


FIG. 7

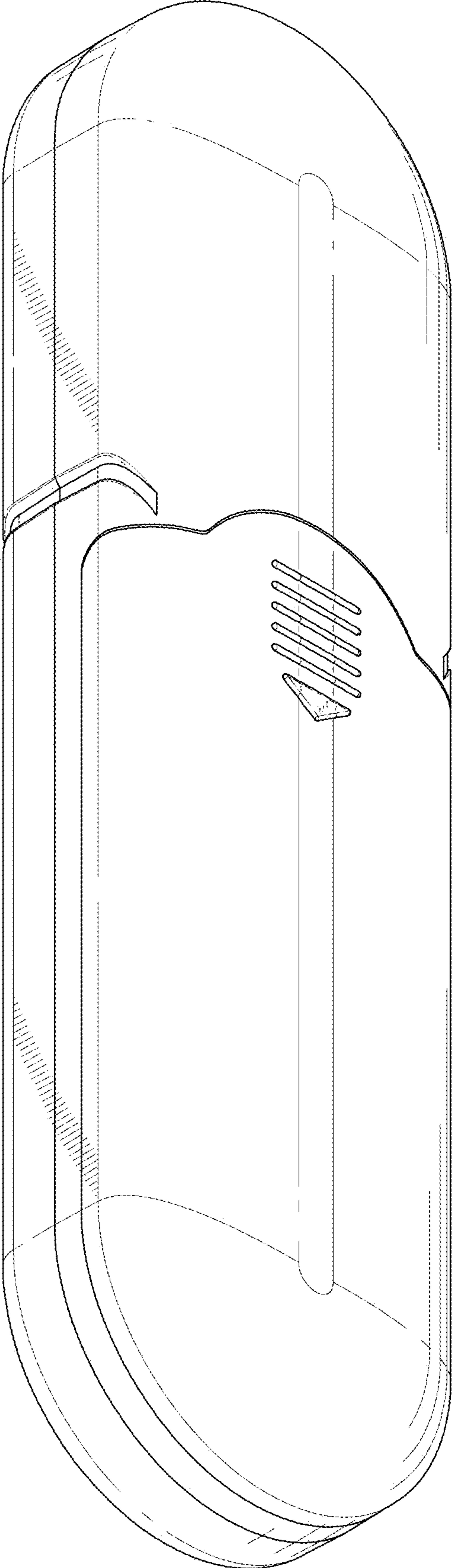


FIG. 8

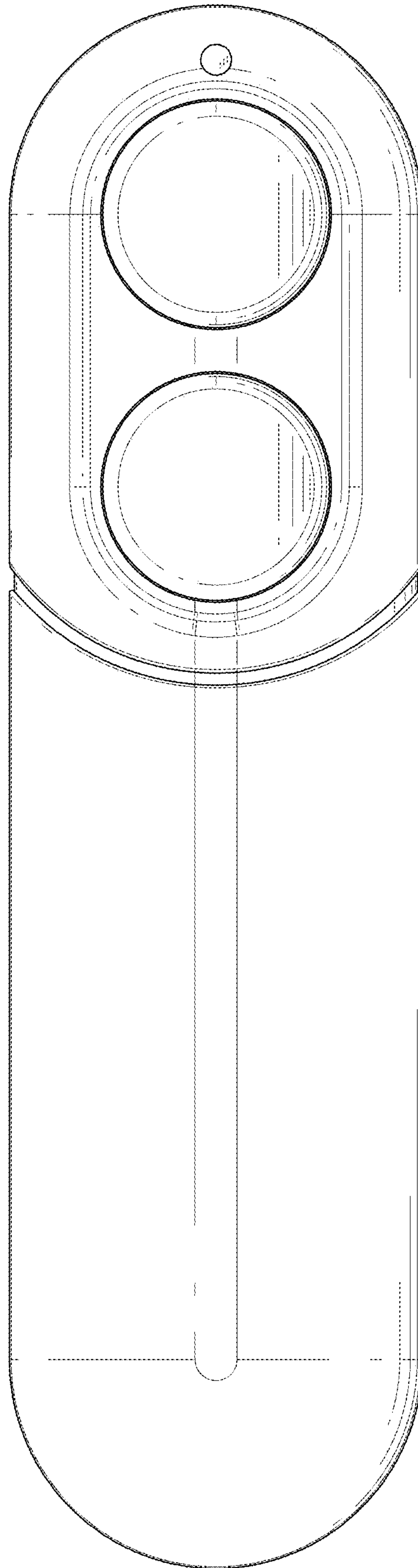


FIG. 9

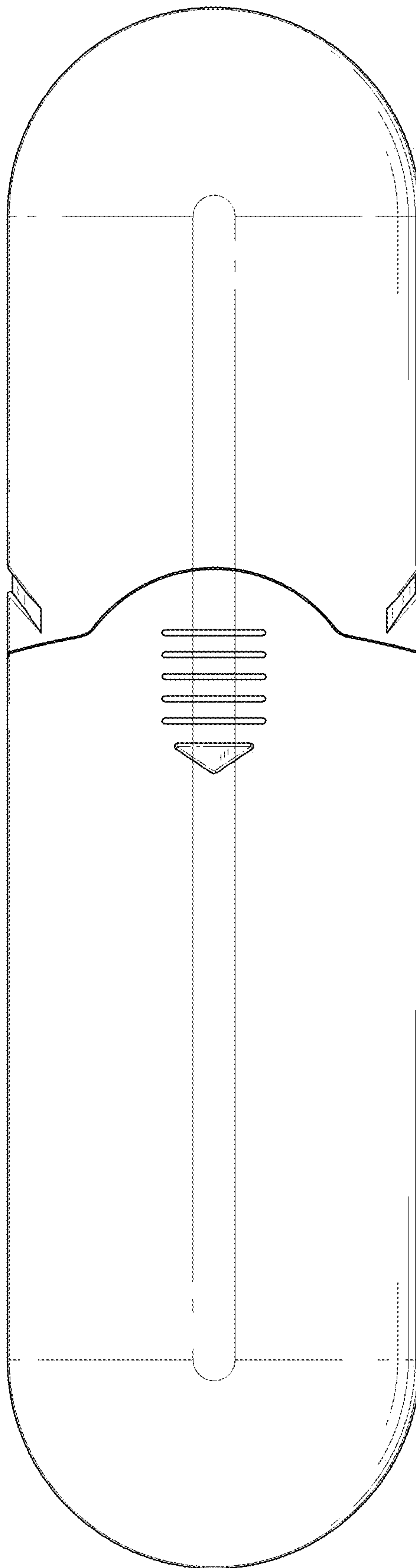


FIG. 10

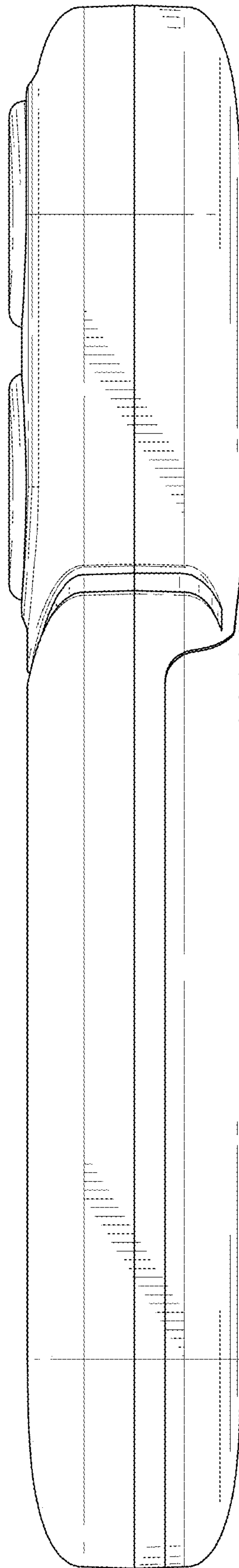


FIG. 11

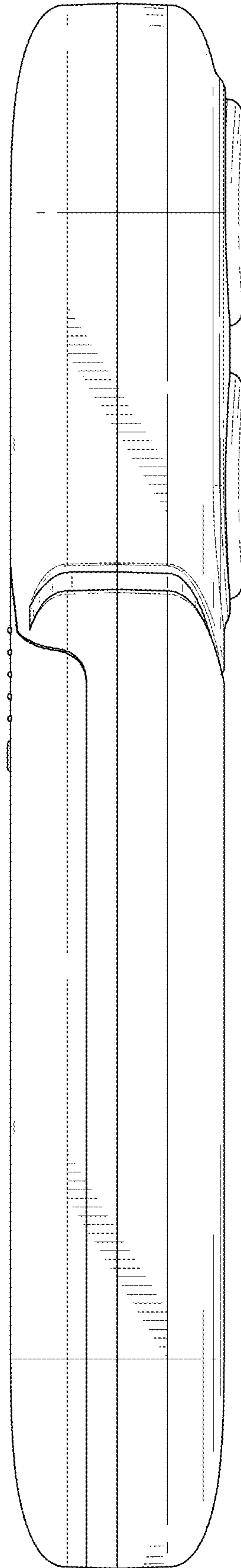


FIG. 12

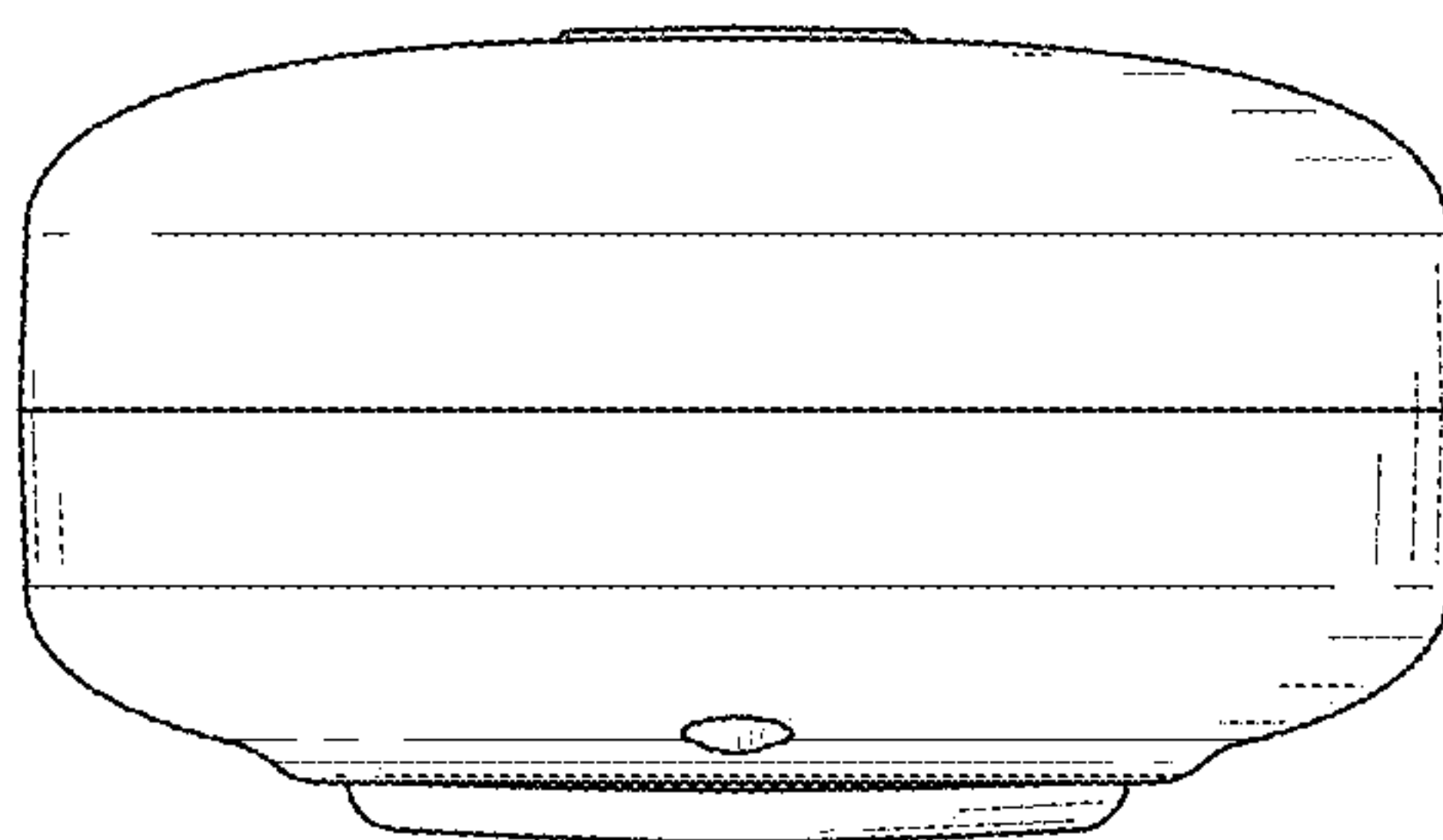


FIG. 13

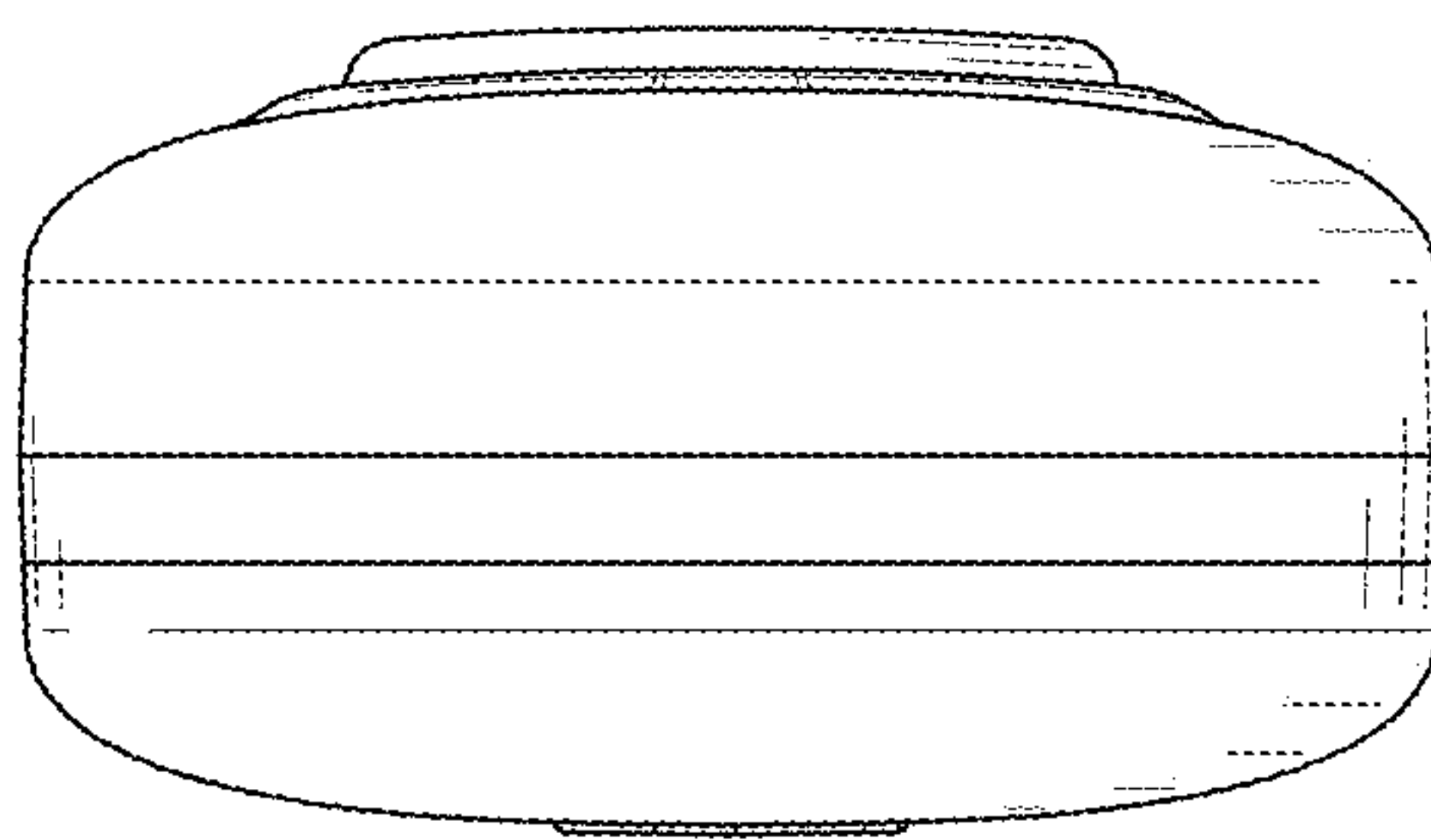


FIG. 14

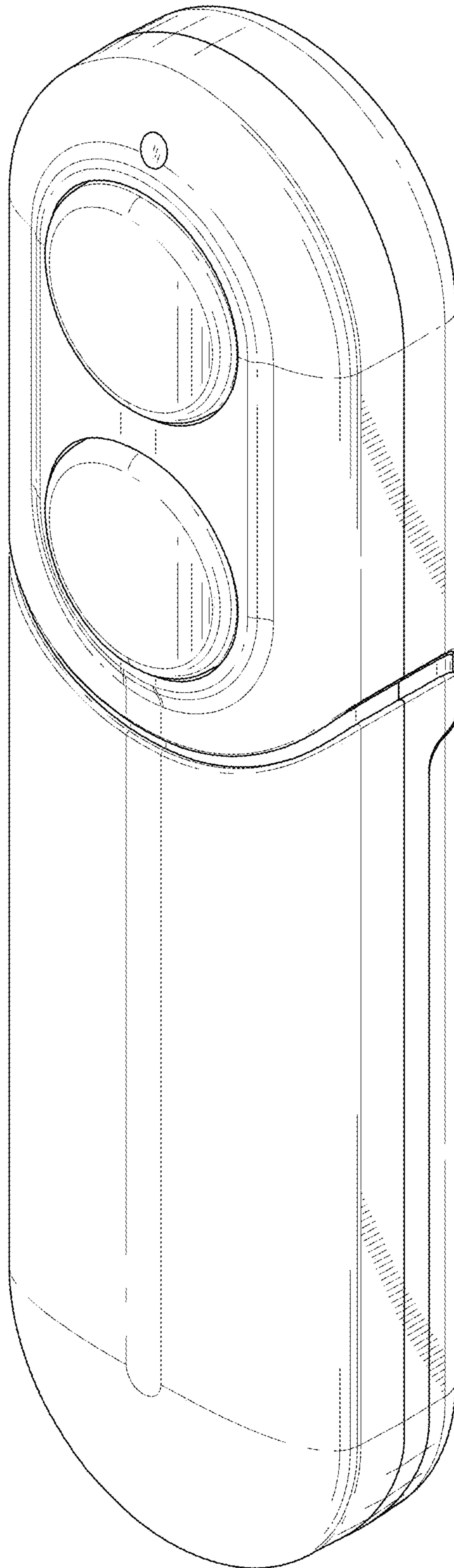


FIG. 15

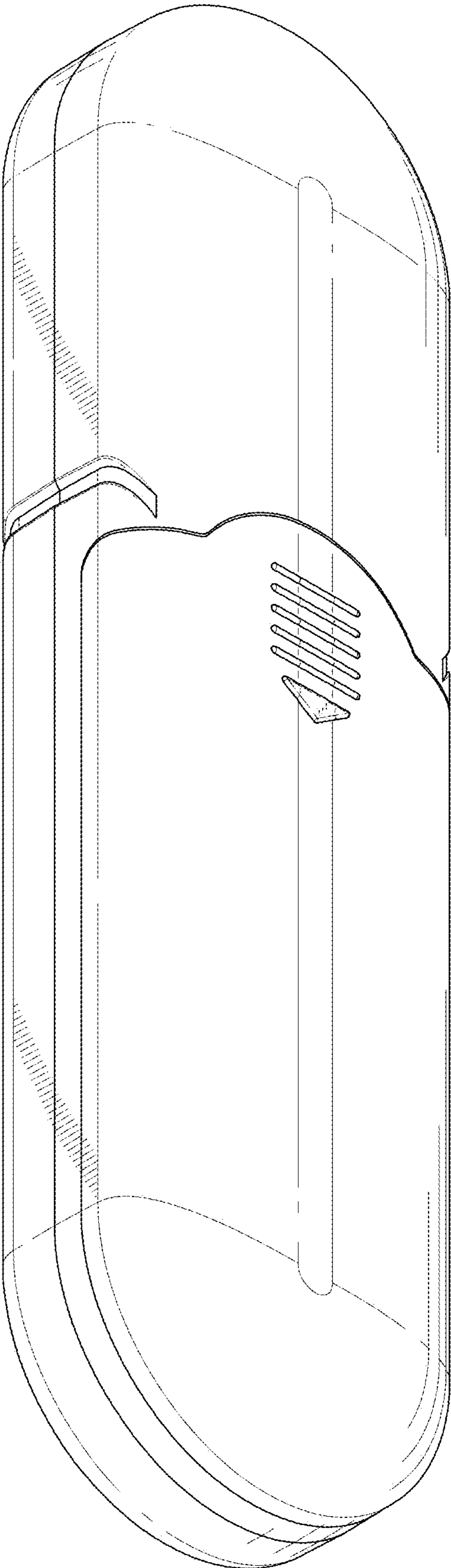


FIG. 16