



US00D923585S

(12) **United States Design Patent** (10) **Patent No.:** **US D923,585 S**
Stalter et al. (45) **Date of Patent:** **** Jun. 29, 2021**

(54) **CABLE MANAGER**
(71) Applicant: **GE Precision Healthcare LLC**,
Milwaukee, WI (US)
(72) Inventors: **Ross Christopher Stalter**, Hartland,
WI (US); **William Zang**, Grafton, WI
(US); **Del France**, San Rafael, CA (US)

(73) Assignee: **GE PRECISION HEALTHCARE
LLC**, Milwaukee, WI (US)

(**) Term: **15 Years**

(21) Appl. No.: **29/708,059**

(22) Filed: **Oct. 2, 2019**

(51) **LOC (13) Cl.** **13-03**

(52) **U.S. Cl.**
USPC **D13/156**

(58) **Field of Classification Search**
USPC D13/110, 123, 133, 137.1, 139.1, 139.4,
D13/152, 154, 155, 156, 158, 162, 164,
D13/173, 177, 184; D8/349-351, 353;
D14/238, 371-379, 447; D24/185
CPC H02G 3/14; H02G 3/081; H01R 13/6395;
H01R 13/447; H01R 25/006
See application file for complete search history.

(56) **References Cited**

U.S. PATENT DOCUMENTS

D236,480 S *	8/1975	Soltysik	D14/251
D361,768 S *	8/1995	Chen	D14/251
D571,815 S *	6/2008	Chung	D14/447
D613,263 S *	4/2010	Haberl	D14/149
D626,129 S *	10/2010	Lutz	D14/447
D626,239 S *	10/2010	Lia	D24/185
D684,147 S *	6/2013	Stifal	D14/239
D698,737 S *	2/2014	Hagarty	D13/156
D703,658 S *	4/2014	Higashi	D14/253
D770,438 S *	11/2016	Schwarz	D14/251
D776,095 S *	1/2017	Brown	D14/239

D791,140 S *	7/2017	Nuk	D14/447
D795,265 S *	8/2017	Li	D14/447
D800,134 S *	10/2017	McDonald	D14/447
D822,379 S *	7/2018	Li	D3/218
D831,664 S *	10/2018	Chen	D14/447
D900,595 S *	11/2020	Schmitz	D8/354
D903,689 S *	12/2020	Zheng	D14/447
D911,529 S *	2/2021	Meurer	D24/185

* cited by examiner

Primary Examiner — Jennifer O King

(74) *Attorney, Agent, or Firm* — McCoy Russell LLP

(57) **CLAIM**

The ornamental design for a cable manager, as shown and described.

DESCRIPTION

FIG. 1 is a front perspective view of a cable manager according to the claimed design.

FIG. 2 is a front view of the cable manager, with a rear view of the same being a mirror image thereof.

FIG. 3 is a top view of the cable manager, with a bottom view of the same being a mirror image thereof.

FIG. 4 is a right side view of the cable manager, with a left side view of the same being a mirror image thereof.

FIG. 5 is a cross-sectional view of the cable manager along line 5-5 of FIG. 2.

FIG. 6 is a cross-sectional view of the cable manager along line 6-6 of FIG. 2; and,

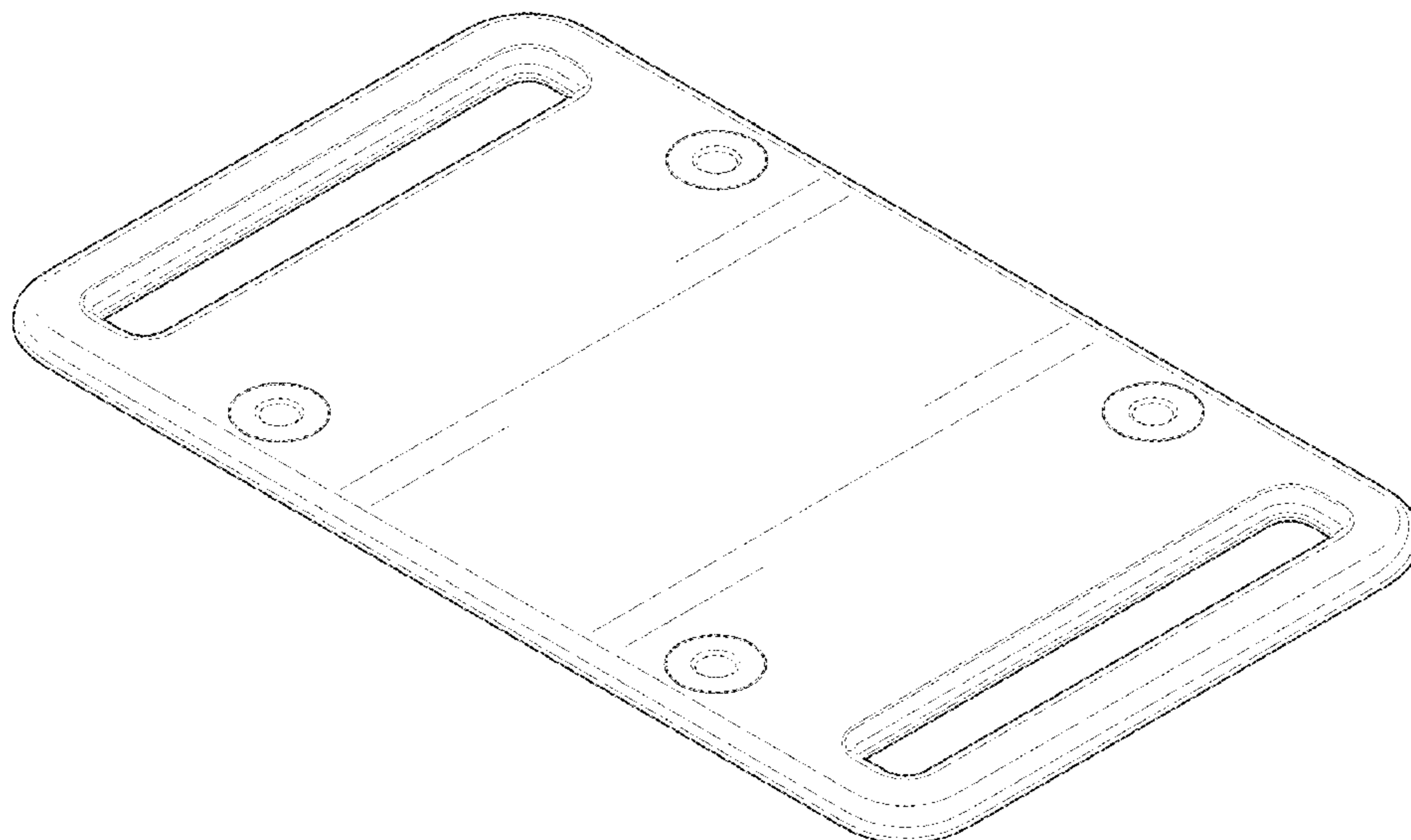
FIG. 7 is a front perspective view of the cable manager in a use environment.

The broken lines in FIGS. 1-2 and 5 illustrate portions of the cable manager that form no part of the claimed design.

The broken lines in FIG. 7 showing the display device, mount, and cables illustrate environmental subject matter that forms no part of the claimed design.

The broken lines in FIG. 2 representing the designation of the cross-sectional portions form no part of the claimed design.

1 Claim, 7 Drawing Sheets



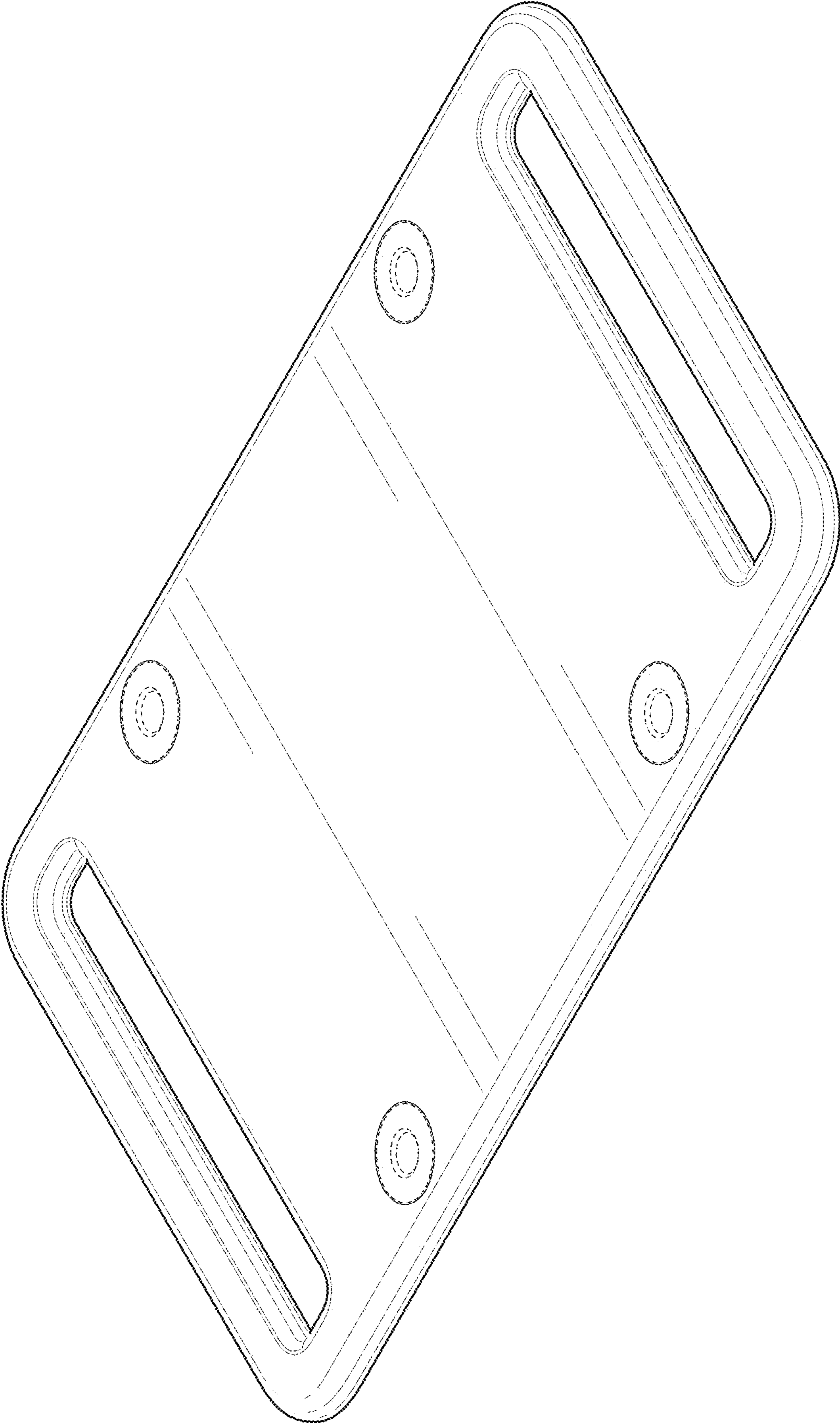


FIG. 1

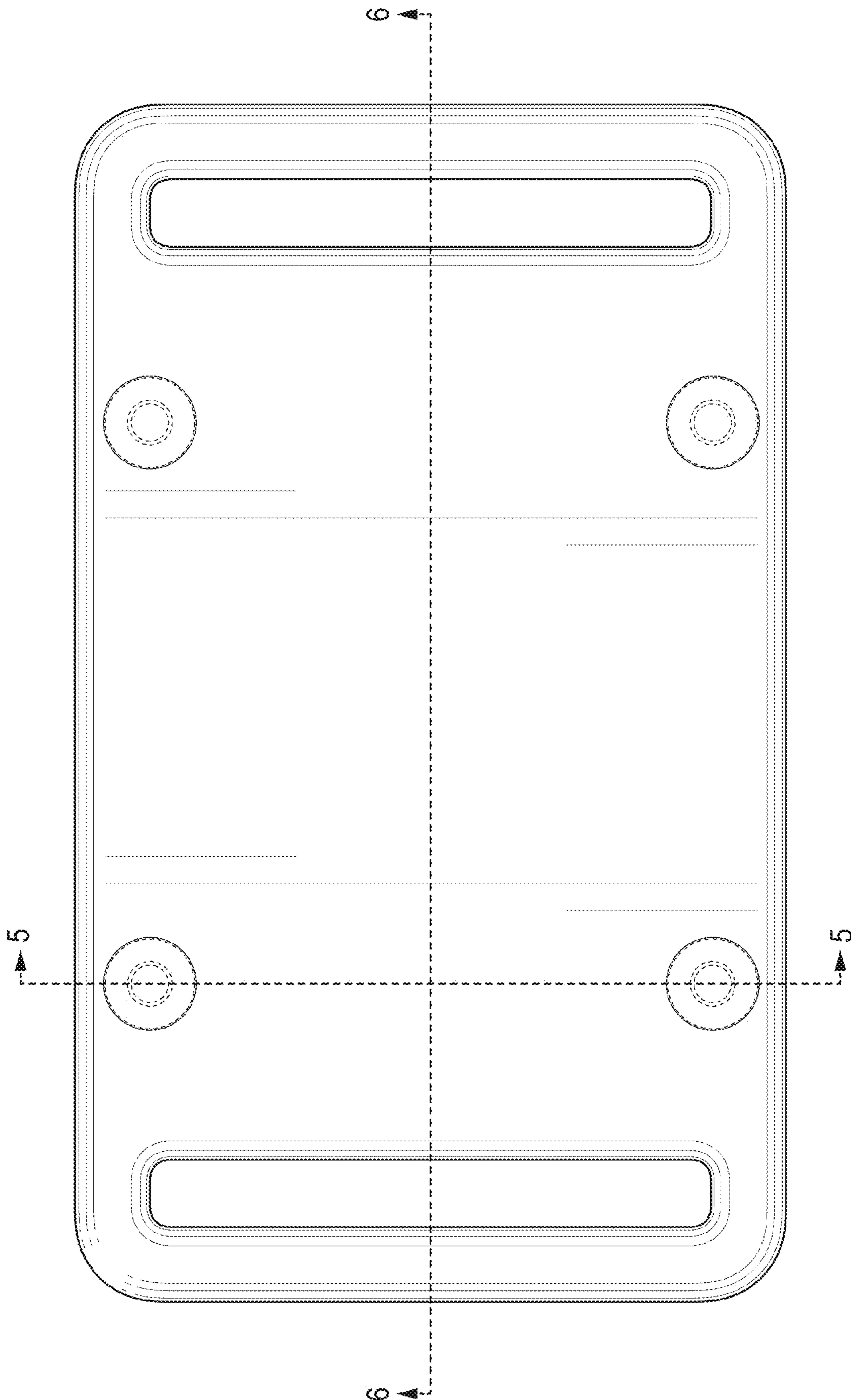


FIG. 2

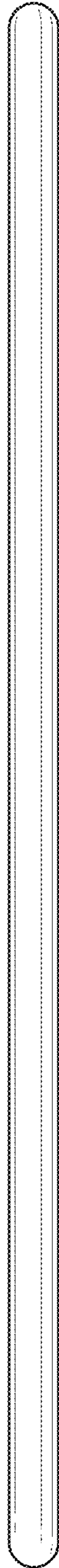


FIG. 3



FIG. 4



FIG. 5

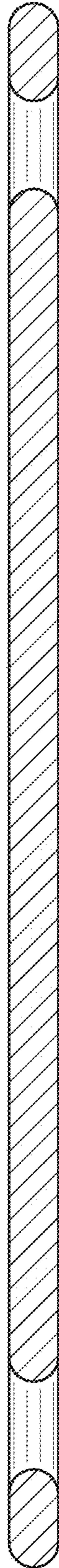


FIG. 6

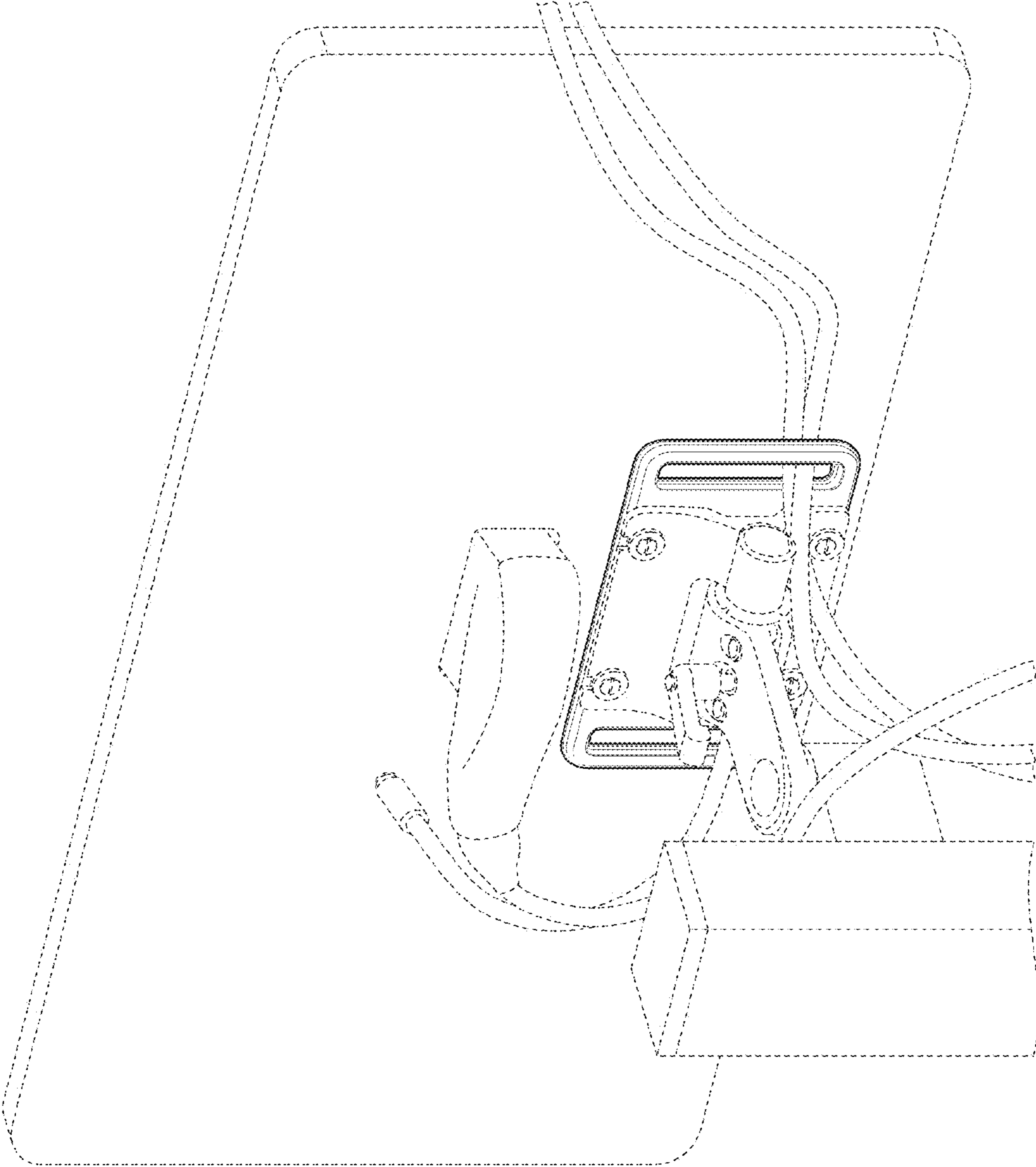


FIG. 7