



US00D923584S

(12) **United States Design Patent**  
**Schulz**

(10) **Patent No.:** **US D923,584 S**

(45) **Date of Patent:** **\*\* Jun. 29, 2021**

(54) **WIRING RACEWAY**

(71) Applicant: **Brian Schulz**, Lockport, NY (US)

(72) Inventor: **Brian Schulz**, Lockport, NY (US)

(\*\*) Term: **15 Years**

(21) Appl. No.: **29/702,993**

(22) Filed: **Aug. 23, 2019**

(51) **LOC (13) Cl.** ..... **13-03**

(52) **U.S. Cl.**  
USPC ..... **D13/155**

(58) **Field of Classification Search**  
USPC ..... D13/110, 123, 133, 137.1, 139.1, 139.4,  
D13/152, 154, 155, 156, 158, 162, 164,  
D13/173, 177, 184; D8/354, 349, 356,  
D8/155; D25/133  
CPC ..... H02G 3/32; G02B 6/3897  
See application file for complete search history.

D704,667 S \* 5/2014 Sharpe ..... D13/155  
D732,708 S \* 6/2015 Stauffer ..... D25/133  
D756,752 S \* 5/2016 Dentener ..... D8/356  
10,498,119 B2 \* 12/2019 Nehls ..... G02B 6/4452  
D889,941 S \* 7/2020 McCoy ..... D8/354  
D892,599 S \* 8/2020 Witherbee ..... D8/354  
2005/0056735 A1 \* 3/2005 Fedewa ..... F16L 3/22  
248/56  
2017/0184223 A1 \* 6/2017 Dean ..... F16L 3/1211

\* cited by examiner

*Primary Examiner* — Jennifer O King

(74) *Attorney, Agent, or Firm* — Ingenium Patents LLC;  
Peter R. Kramer

(57) **CLAIM**

The ornamental design for a wiring raceway, as shown and described.

**DESCRIPTION**

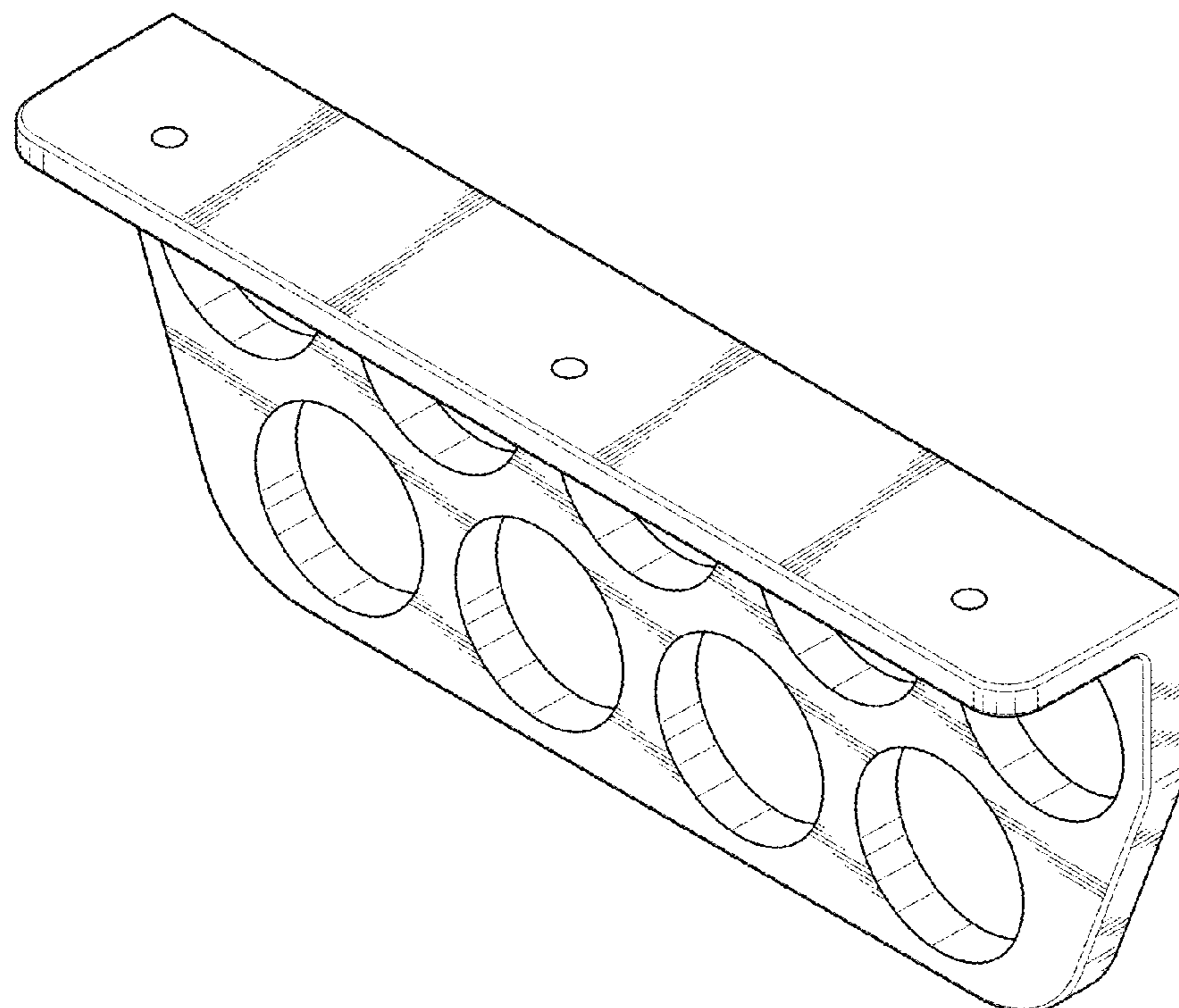
FIG. 1 is a front view.  
FIG. 2 is a rear view.  
FIG. 3 is view from right side.  
FIG. 4 is a view from left side.  
FIG. 5 is a top view.  
FIG. 6 is a bottom view; and,  
FIG. 7 is an elevational perspective view from rear-left angle.  
The instant invention relates to the ornamental aspects of a wiring raceway.

**1 Claim, 7 Drawing Sheets**

(56) **References Cited**

U.S. PATENT DOCUMENTS

3,737,131 A \* 6/1973 Larson ..... A47F 5/0823  
248/220.41  
4,795,121 A \* 1/1989 Comito ..... F21S 4/10  
211/26  
5,615,850 A \* 4/1997 Cloninger ..... F16L 3/22  
248/68.1  
D448,650 S \* 10/2001 Vrame ..... D8/354  
7,014,152 B2 \* 3/2006 Grendahl ..... H02G 3/32  
248/49  
7,039,965 B1 \* 5/2006 Ismert ..... E03C 1/021  
248/56



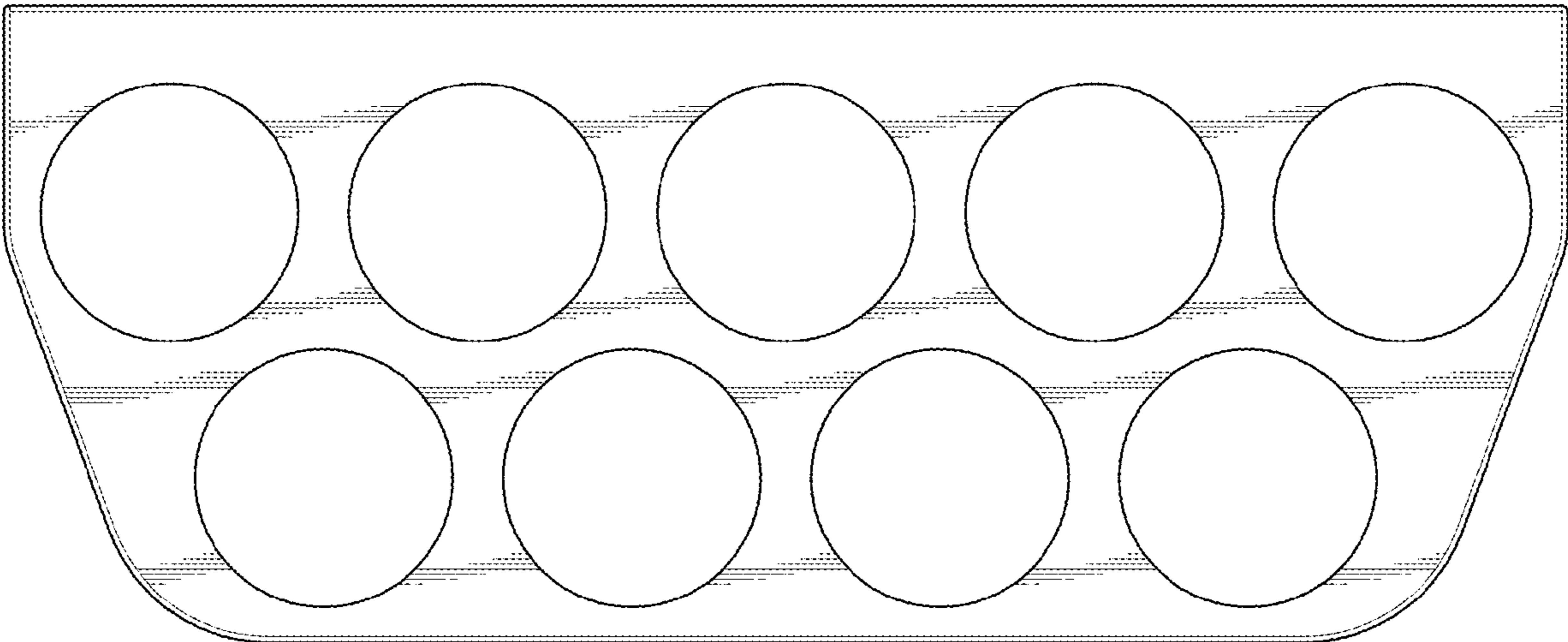


FIG. 1

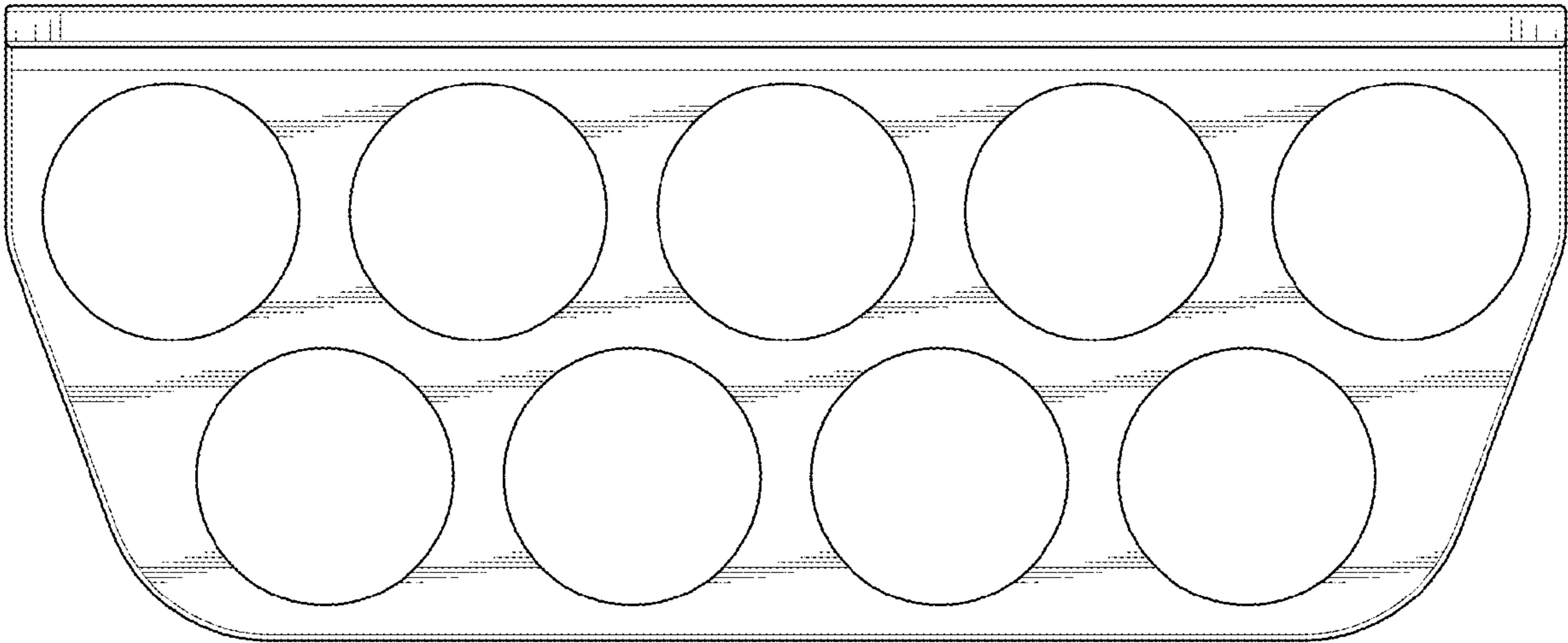


FIG. 2

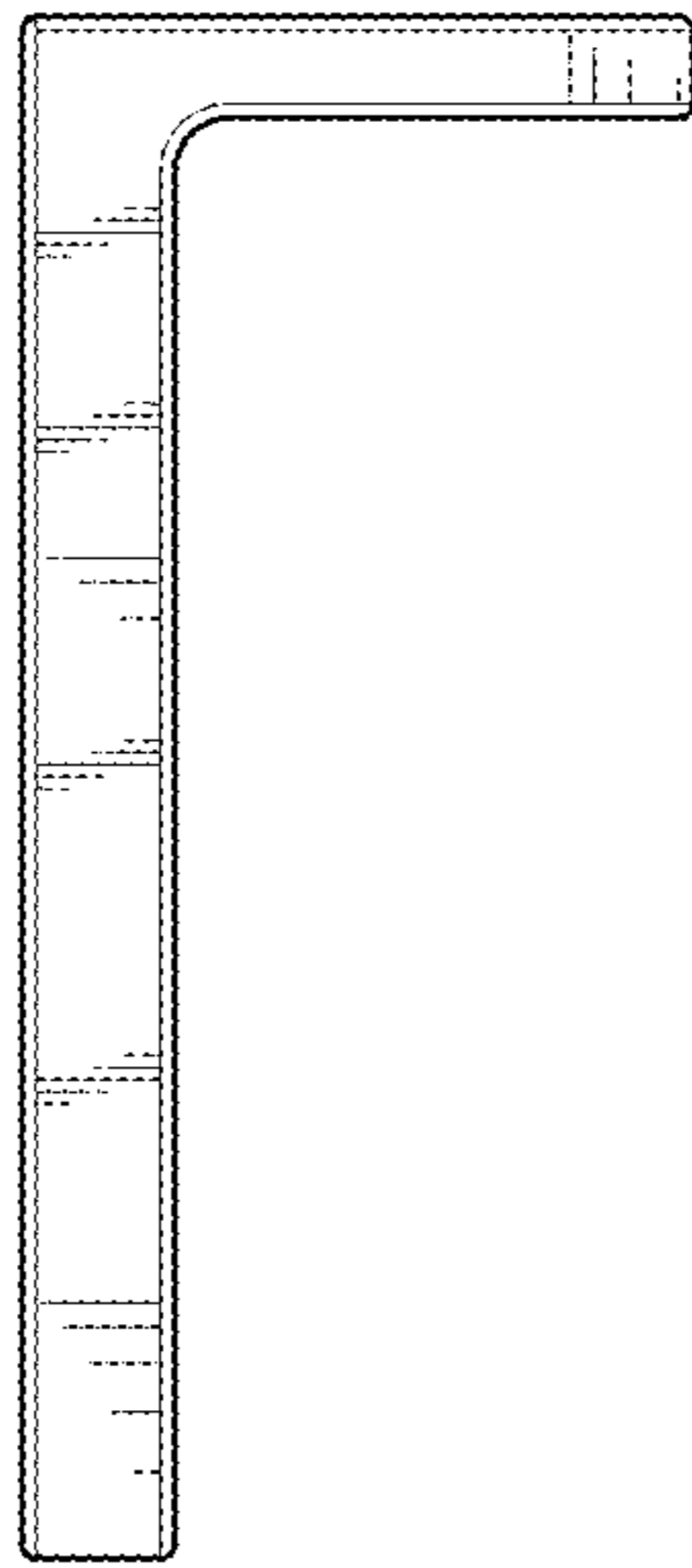


FIG. 3

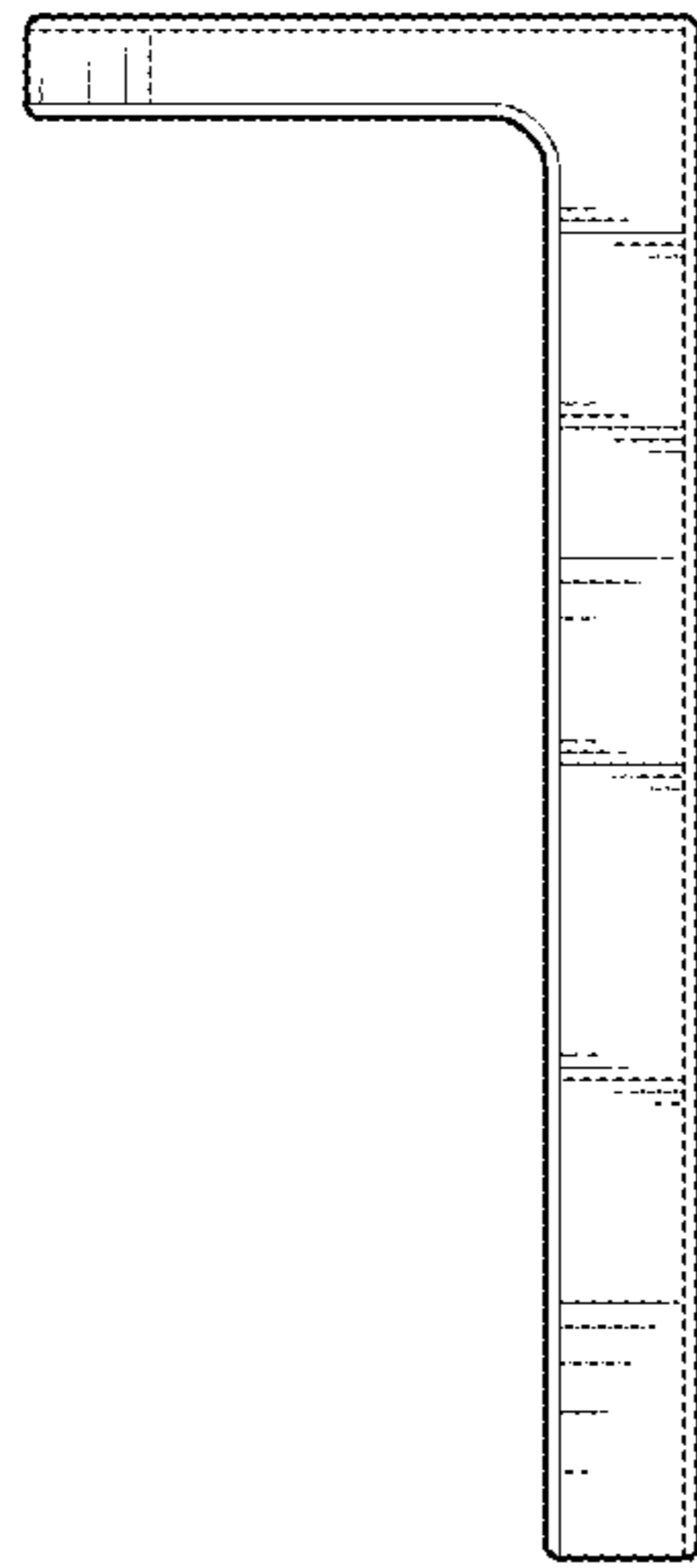


FIG. 4

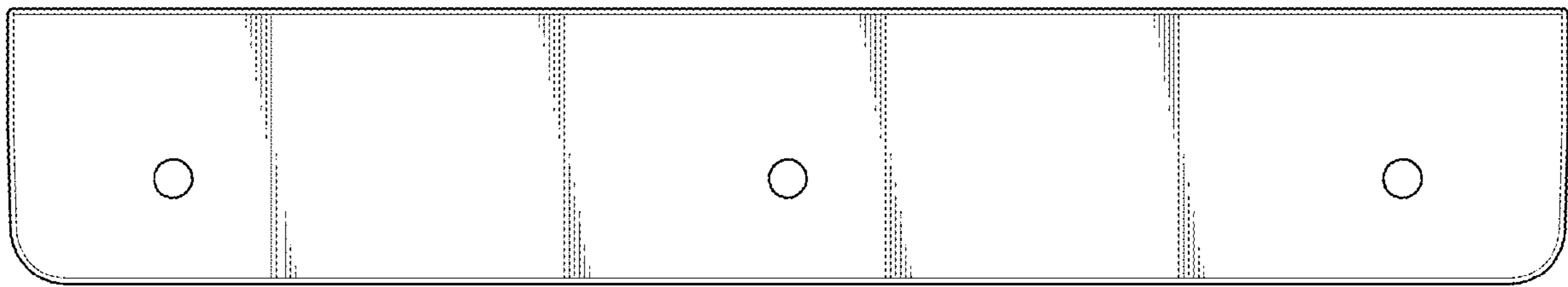


FIG. 5

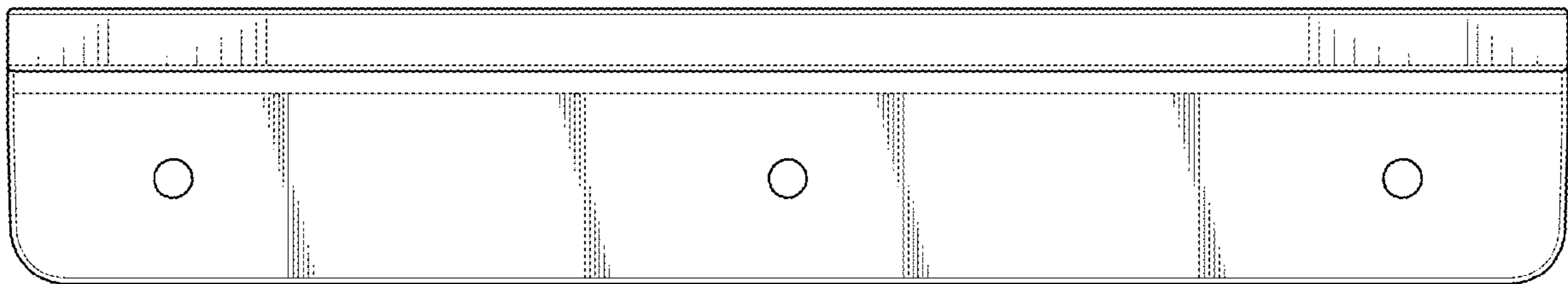


FIG. 6

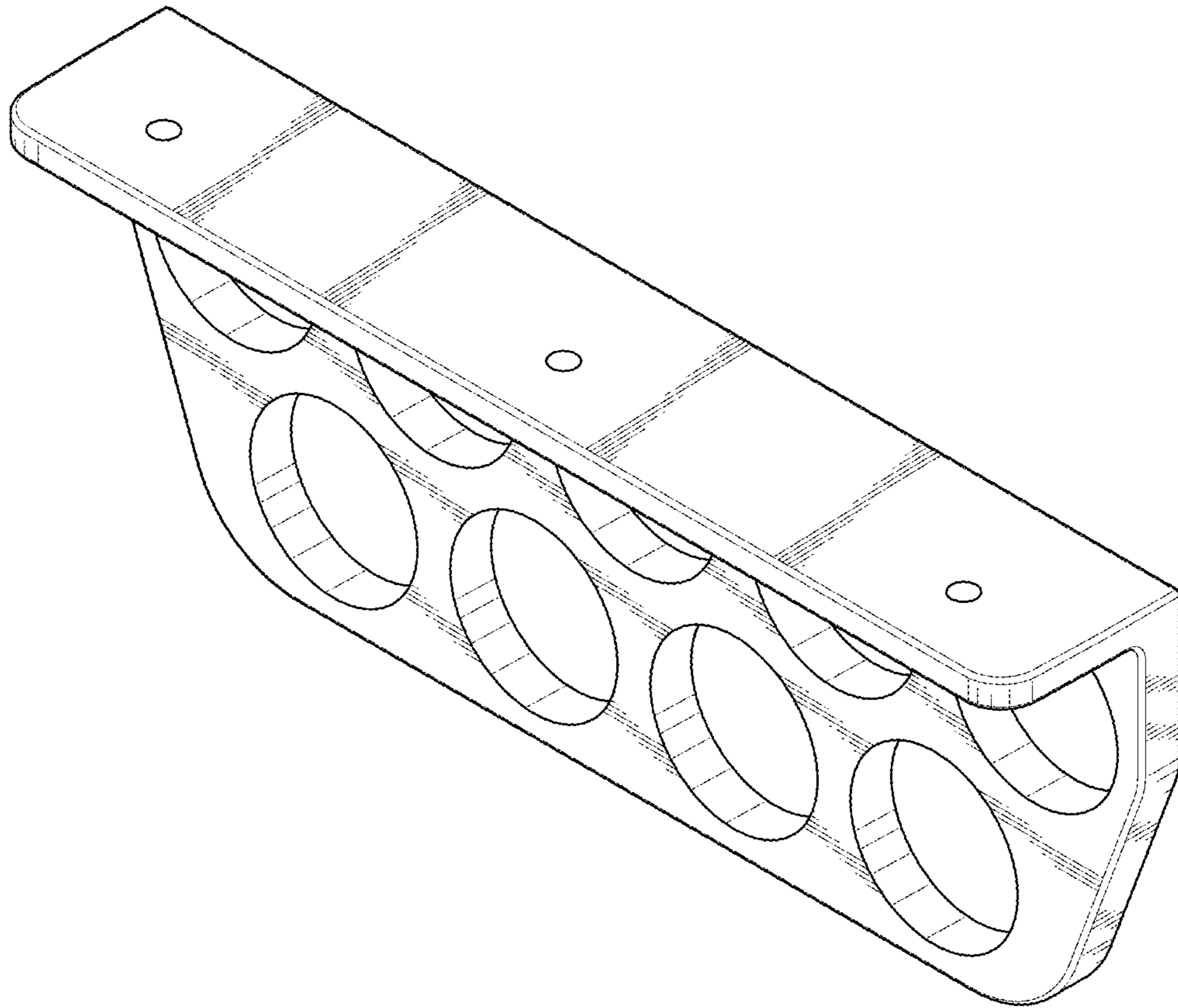


FIG. 7