



US00D923583S

(12) **United States Design Patent**
Smith

(10) **Patent No.:** **US D923,583 S**
(45) **Date of Patent:** **** Jun. 29, 2021**

- (54) **ADJUSTABLE TRANSITION COUPLER**
- (71) Applicant: **Bridgeport Fittings, LLC**, Stratford, CT (US)
- (72) Inventor: **Lawrence J. Smith**, Stamford, CT (US)
- (73) Assignee: **Bridgeport Fittings, LLC**, Stratford, CT (US)
- (**) Term: **15 Years**
- (21) Appl. No.: **29/693,003**
- (22) Filed: **May 30, 2019**
- (51) **LOC (13) Cl.** **13-03**
- (52) **U.S. Cl.**
USPC **D13/155**
- (58) **Field of Classification Search**
USPC D13/155, 133, 146, 149, 151, 153, 154, D13/156, 184, 199; D8/71, 73, 349, 354, D8/382, 394, 395, 396; D23/259, 262, D23/265, 269, 314, 386
CPC F16L 25/065; F16L 25/0036; F16L 25/01
See application file for complete search history.

7,883,338	B2	2/2011	Smith	
8,007,284	B2	8/2011	Smith	
D648,279	S *	11/2011	Kiely	D13/149
D668,617	S *	10/2012	Kiely	D13/149
D668,618	S *	10/2012	Smith	D13/149
8,466,378	B1 *	6/2013	Gretz	H02G 3/0616 174/659
D689,026	S	9/2013	Smith	
D691,693	S	10/2013	Smith	
D691,963	S *	10/2013	Smith	D13/155
D703,519	S *	4/2014	Senseney	D8/382
8,690,194	B1	4/2014	Smith	
D754,303	S *	4/2016	Smith	D23/259
D755,728	S *	5/2016	Smith	D13/155
9,343,883	B2	5/2016	Decesare et al.	
9,373,919	B1	6/2016	Smith	
D769,422	S *	10/2016	Whiteley	D23/262
D771,569	S *	11/2016	Smith	D13/151

(Continued)

Primary Examiner — Sandra Snapp
Assistant Examiner — Ieisha N Price
 (74) *Attorney, Agent, or Firm* — Ware, Fressola, Maguire & Barber LLP

(57) **CLAIM**

The ornamental design for an adjustable transition coupler, as shown and described.

DESCRIPTION

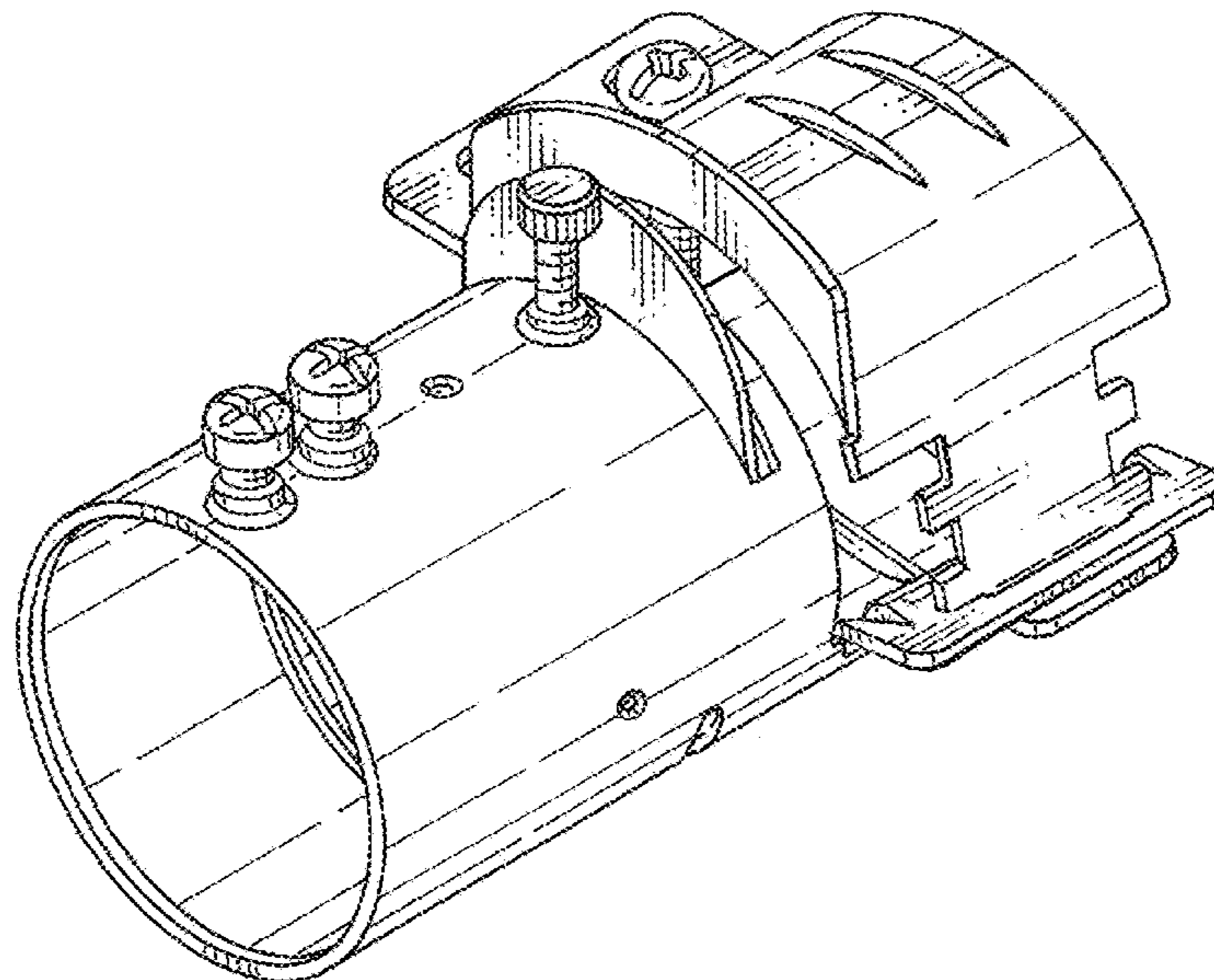
FIG. 1 is a front perspective view of an adjustable transition coupler showing my new design.
 FIG. 2 is a right side view thereof.
 FIG. 3 is a left side view thereof.
 FIG. 4 is a front view thereof.
 FIG. 5 is a rear view thereof.
 FIG. 6 is a top view thereof; and,
 FIG. 7 is a bottom view thereof.
 The broken lines in the drawings illustrate portions of the adjustable transition coupler and form no part of the claimed design.

1 Claim, 5 Drawing Sheets

(56) **References Cited**

U.S. PATENT DOCUMENTS

2,111,243	A *	3/1938	Hecht	F16L 25/08 285/404
D188,025	S *	5/1960	Curtiss	D23/265
D188,026	S *	5/1960	Curtiss	D23/265
D201,183	S *	5/1965	Sanders	D13/152
3,556,566	A *	1/1971	Bromberg	F16L 5/00 285/149.1
D336,282	S *	6/1993	Guginsky	D13/133
D380,197	S *	6/1997	Garcia	D13/152
7,563,100	B1	7/2009	Smith	
D600,650	S *	9/2009	Smith	D13/133
D600,651	S *	9/2009	Smith	D13/133
D601,094	S *	9/2009	Smith	D13/133



(56)

References Cited

U.S. PATENT DOCUMENTS

D782,621 S * 3/2017 Smith D23/259
D788,043 S * 5/2017 Smith D13/151
9,705,295 B1 * 7/2017 Smith H02G 3/0616
9,787,070 B2 10/2017 Decesare et al.
10,056,746 B1 8/2018 Smith
D838,676 S 1/2019 Smith
D840,948 S 2/2019 Smith
D843,952 S 3/2019 Smith
10,240,694 B2 3/2019 Decesare et al.
D845,251 S 4/2019 Smith
2018/0323591 A1 * 11/2018 Smith H02G 3/0616

* cited by examiner

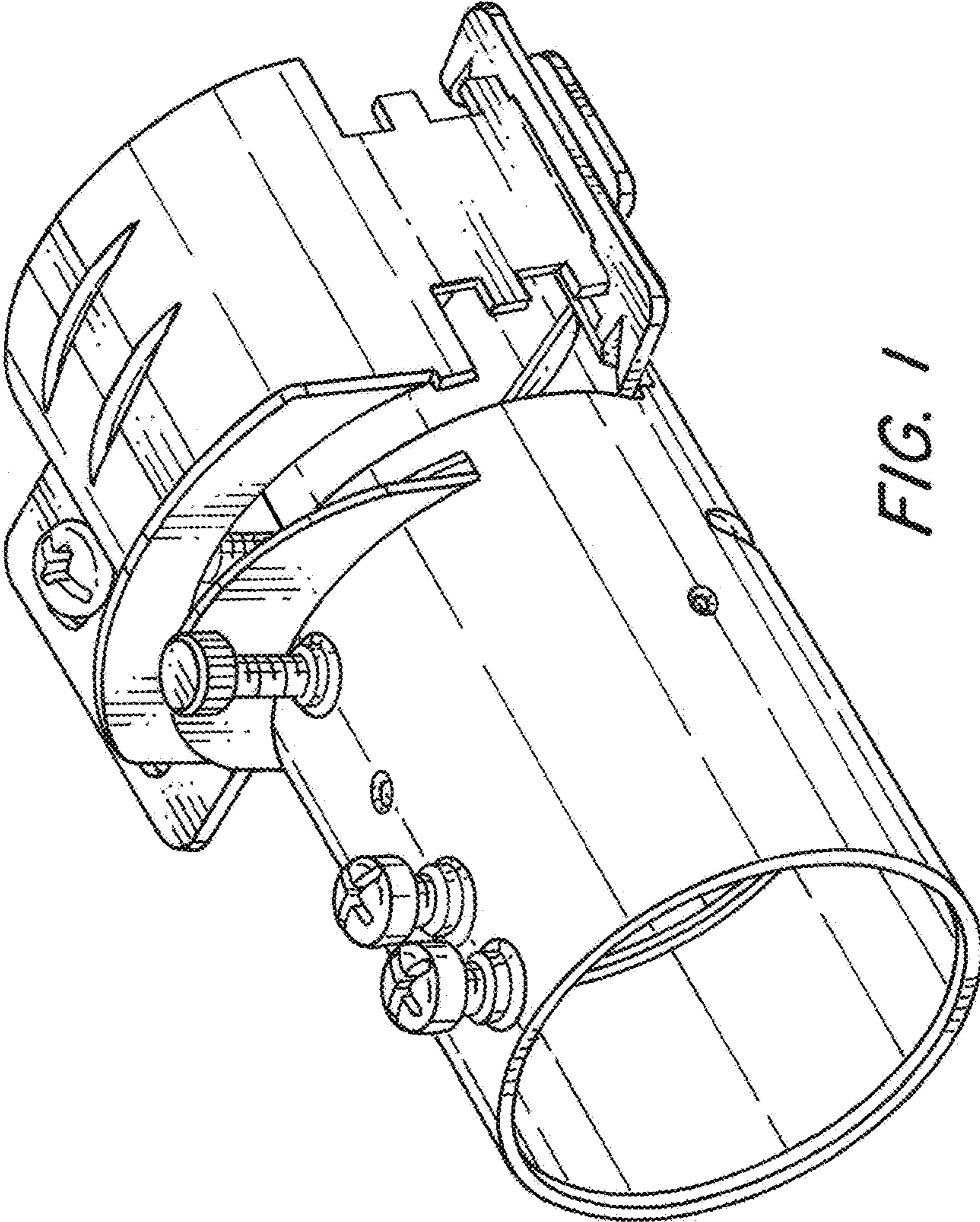


FIG. 1

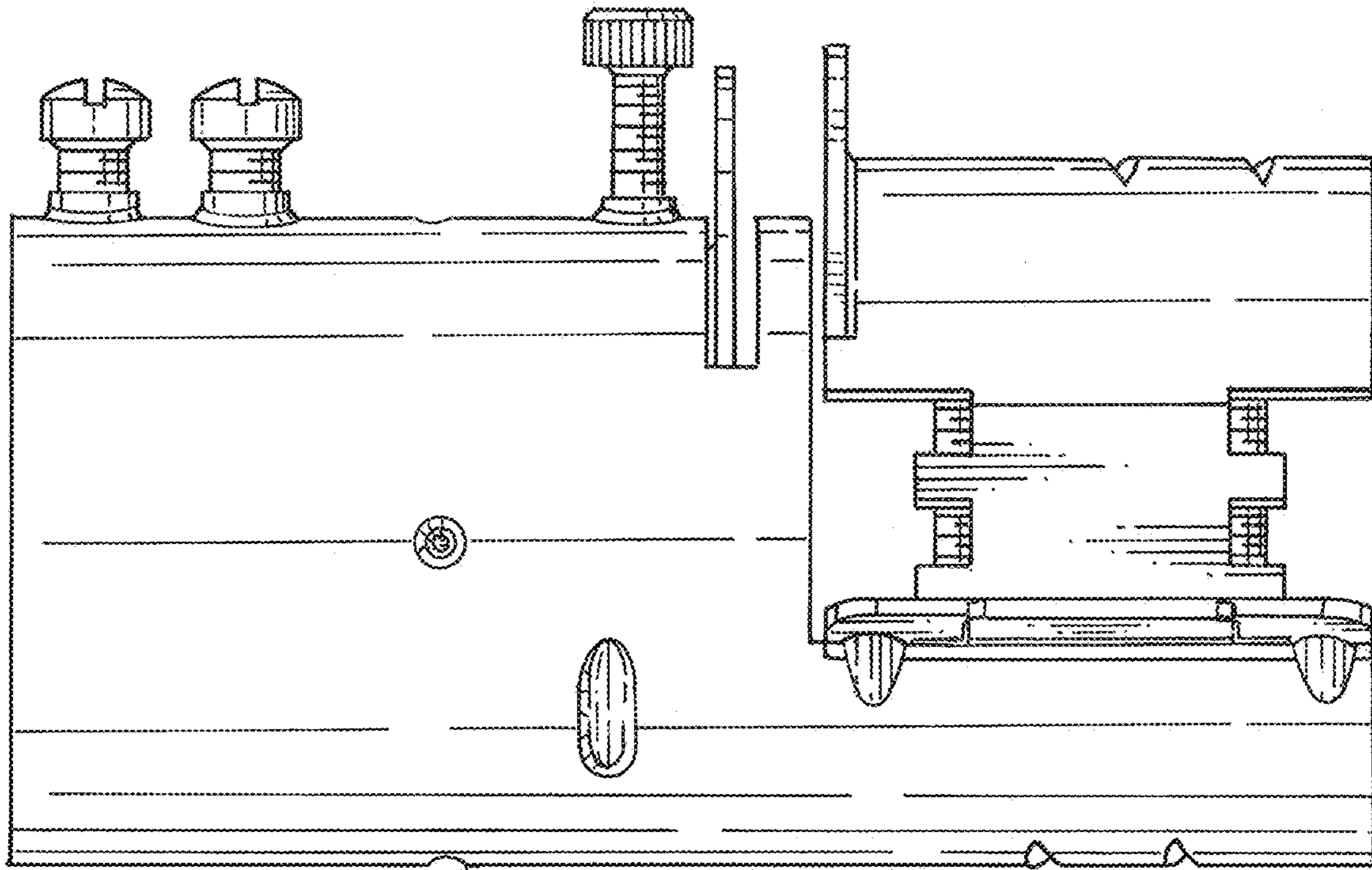


FIG. 2

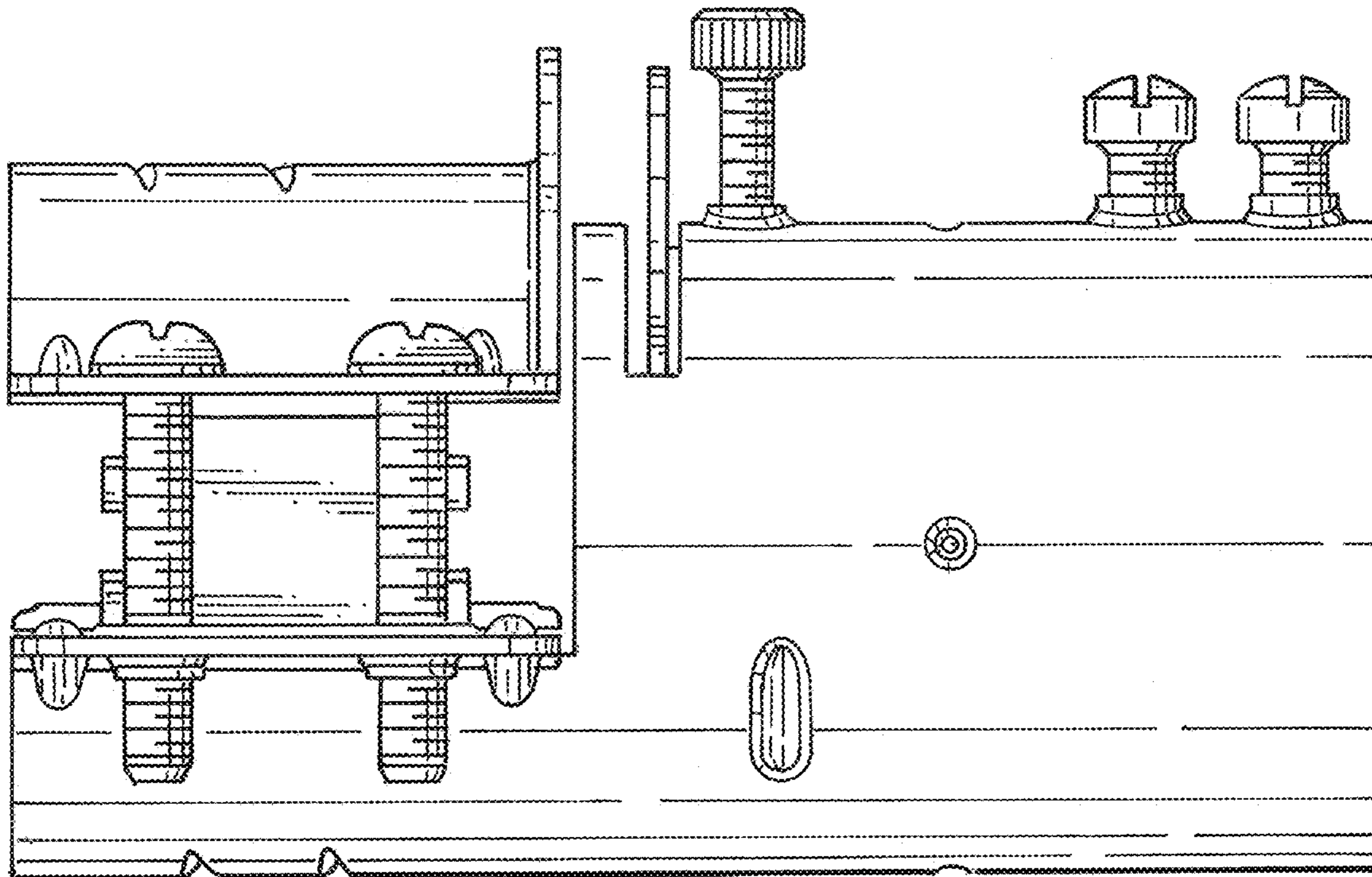


FIG. 3

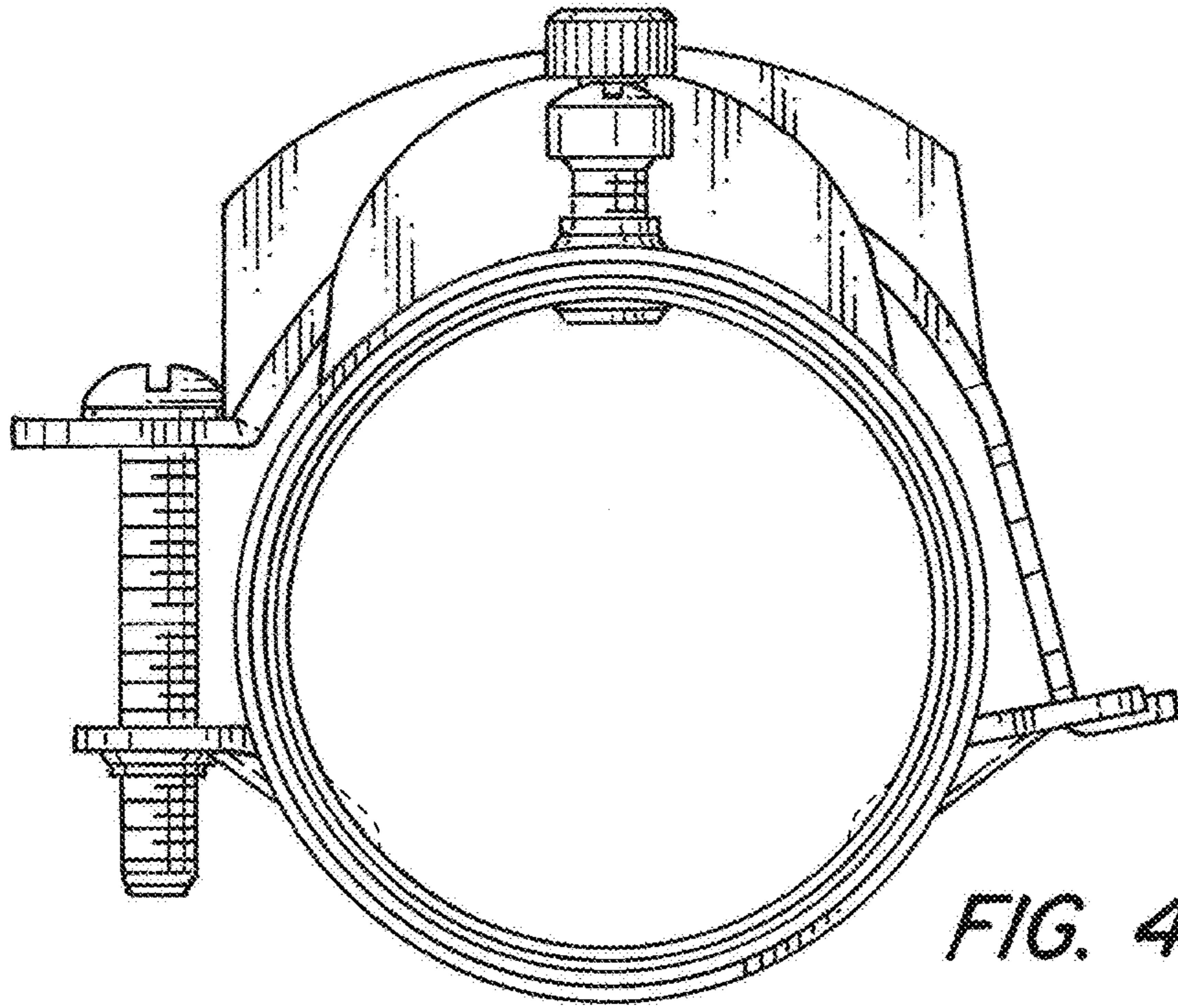


FIG. 4

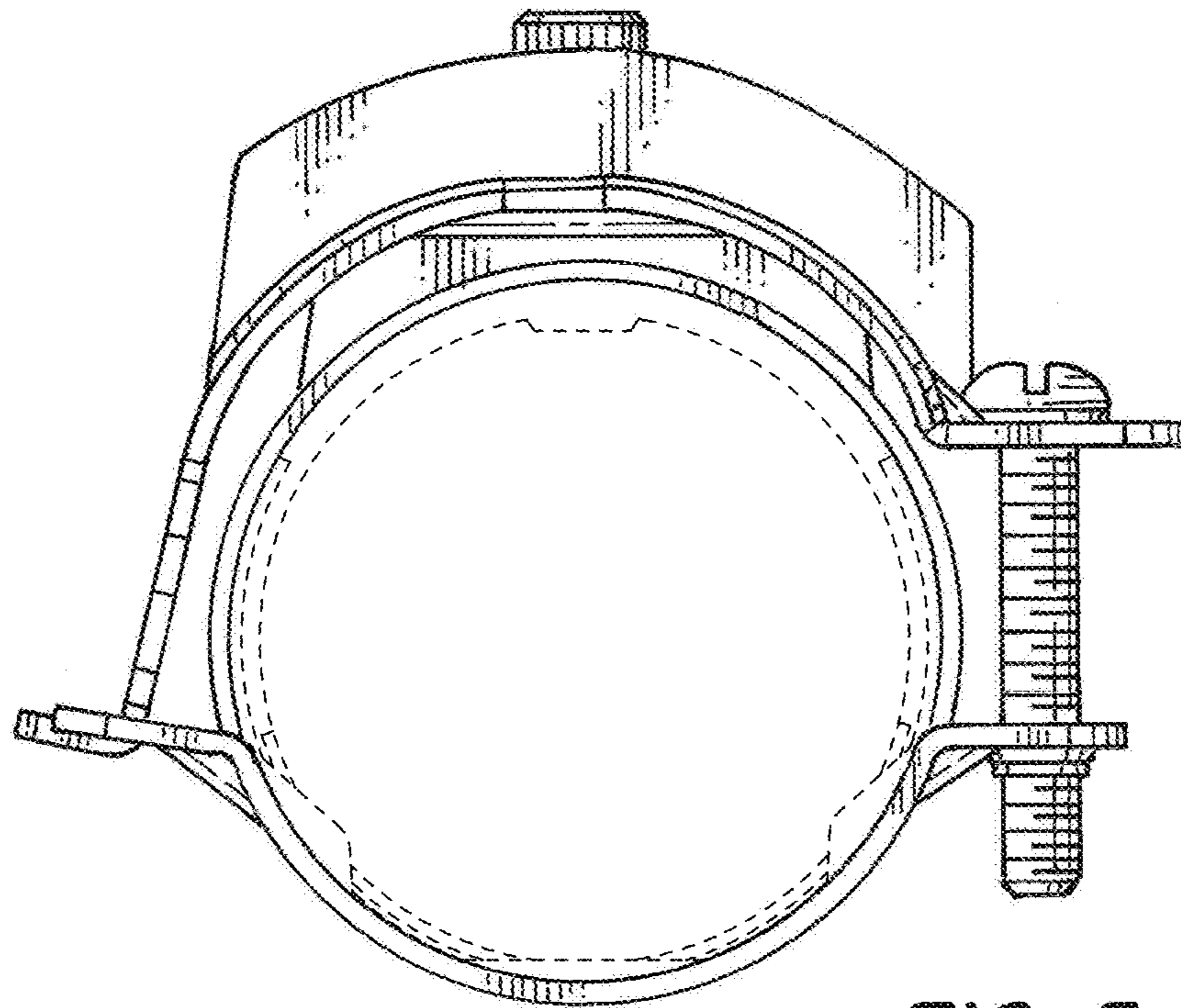


FIG. 5

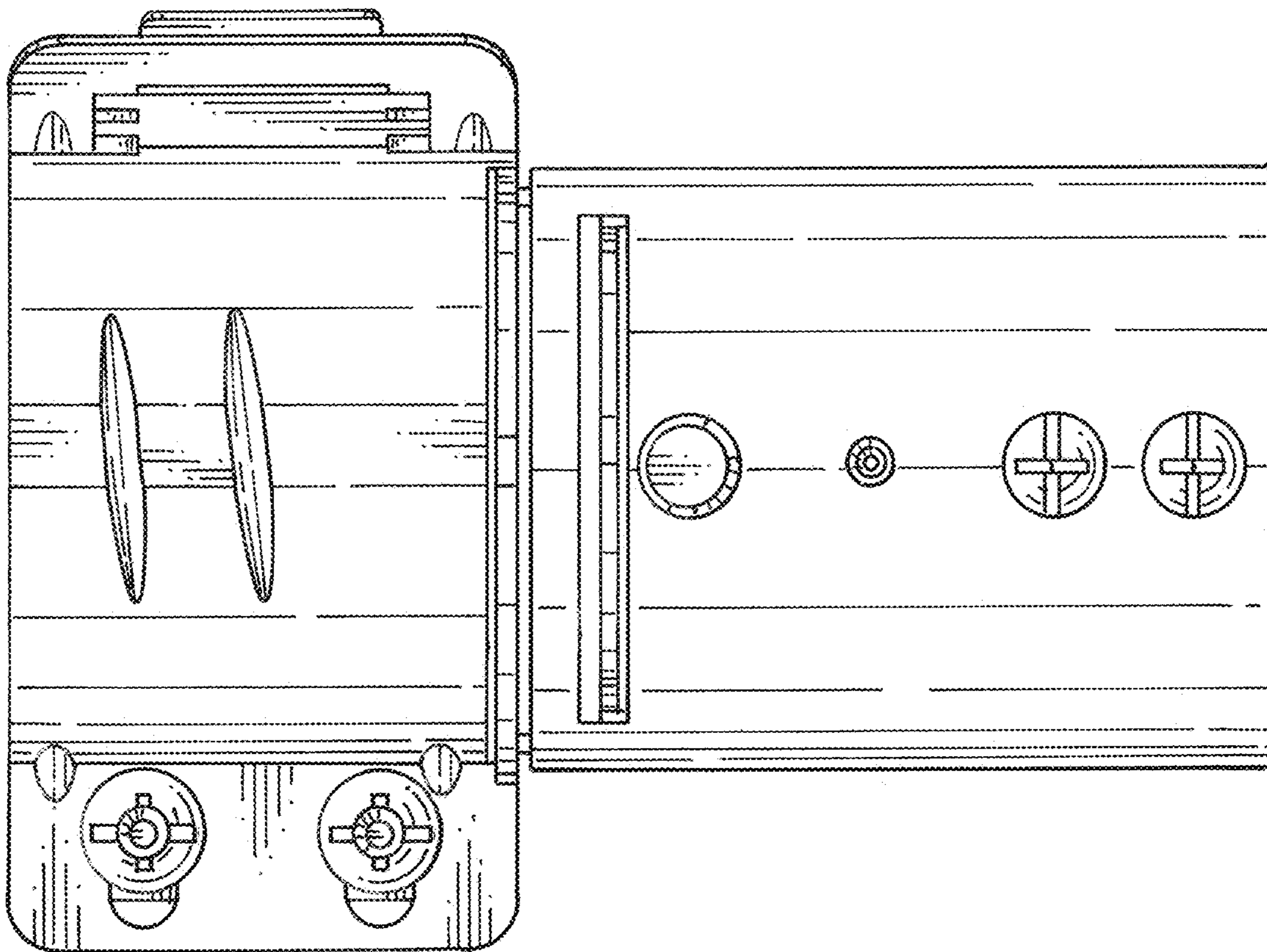


FIG. 6

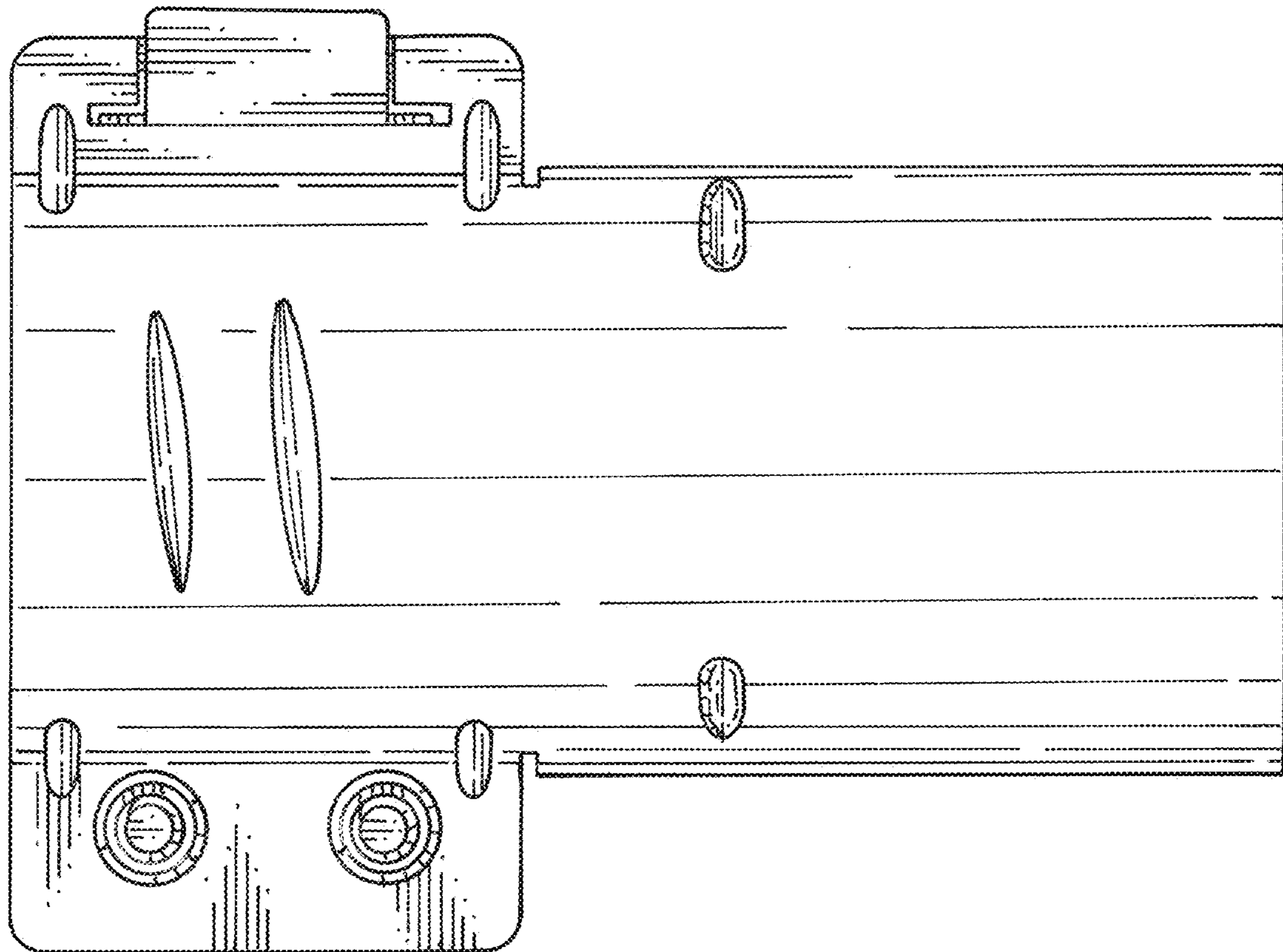


FIG. 7