



US00D923580S

(12) **United States Design Patent**
Oosaka

(10) **Patent No.:** **US D923,580 S**
(45) **Date of Patent:** **** Jun. 29, 2021**

(54) **CONNECTOR**

(71) Applicant: **Japan Aviation Electronics Industry, Limited**, Tokyo (JP)

(72) Inventor: **Junji Oosaka**, Tokyo (JP)

(73) Assignee: **JAPAN AVIATION ELECTRONICS INDUSTRY, LIMITED**, Tokyo (JP)

(**) Term: **15 Years**

(21) Appl. No.: **29/728,887**

(22) Filed: **Mar. 23, 2020**

(30) **Foreign Application Priority Data**

Oct. 1, 2019 (JP) 2019-022040

(51) **LOC (13) Cl.** **13-03**

(52) **U.S. Cl.**
USPC **D13/147**

(58) **Field of Classification Search**
USPC D13/120, 121, 133, 146, 147, 153, 199,
D13/154, 156, 184; D14/432, 433, 434,
D14/435.1, 438

CPC .. H01R 13/506; H01R 13/516; H01R 13/518;
H01R 13/58; H01R 13/627; H01R
13/6315; H01R 13/00; H01R 13/24;
H01R 13/26; H01R 13/28; H01R 13/508;
H01R 13/523; H01R 13/585; H01R
13/6271; H01R 13/6275; H01R 13/635;
H01R 13/639; H01R 13/64; H01R
13/642; H01R 13/6453; H01R 13/6474;
H01R 13/6581; H01R 13/6582; H01R
13/6586; H01R 13/6587; H01R 13/6588;
H01R 13/659; H01R 13/6591; H01R
13/6594; H01R 13/6595; H01R 13/6597;
H01R 13/66; H01R 13/6658; H01R
24/00; H01R 24/60; H01R 24/62; H01R
24/64; H01R 12/51; H01R 12/52; H01R
12/55; H01R 12/57; H01R 12/58; H01R
12/592; H01R 12/61; H01R 12/616;
H01R 12/63; H01R 12/70; H01R

12/7005; H01R 12/7076; H01R 12/71;
H01R 12/714; H01R 12/716; H01R
12/718; H01R 12/72; H01R 12/73; H01R
(Continued)

(56) **References Cited**

U.S. PATENT DOCUMENTS

D642,986 S * 8/2011 Nishimura D13/147
D684,120 S * 6/2013 Miyazaki D13/147
D695,691 S * 12/2013 Kobuchi D13/147
(Continued)

FOREIGN PATENT DOCUMENTS

JP D1627804 * 4/2019

Primary Examiner — Rosemary K Tarcza

Assistant Examiner — Seth David Kumpf

(74) *Attorney, Agent, or Firm* — Manabu Kanesaka

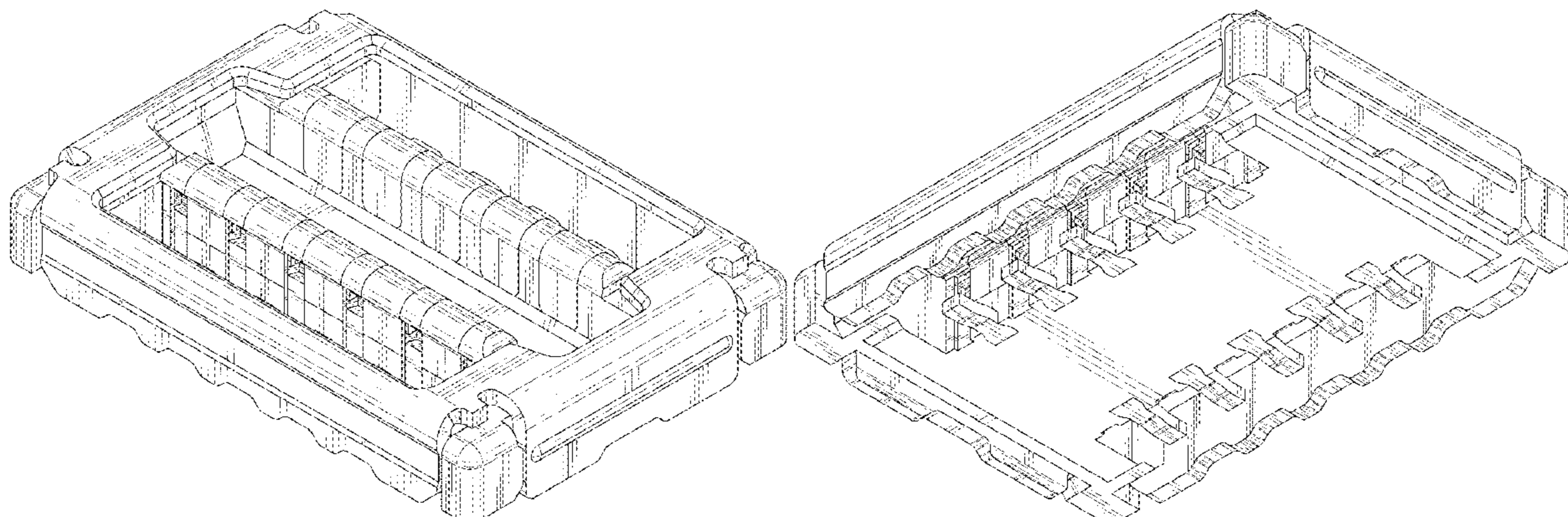
(57) **CLAIM**

The ornamental design for a connector, as shown and described.

DESCRIPTION

FIG. 1 is a front elevational view of a connector showing my new design;
FIG. 2 is a rear elevational view thereof;
FIG. 3 is a right side elevational view thereof;
FIG. 4 is a left side elevational view thereof;
FIG. 5 is a top plan view thereof;
FIG. 6 is a bottom plan view thereof;
FIG. 7 is a perspective view showing a front, top and right side thereof;
FIG. 8 is a perspective view showing a rear, bottom and left side thereof;
FIG. 9 is a perspective view showing a front, right and bottom side thereof; and,
FIG. 10 is a perspective view showing a rear, left and top side thereof.

1 Claim, 10 Drawing Sheets



(58) **Field of Classification Search**

CPC .. 12/737; H01R 12/777; H01R 12/778; H01R
12/79

See application file for complete search history.

(56) **References Cited**

U.S. PATENT DOCUMENTS

D703,146	S	*	4/2014	Takenaga	D13/147
D723,471	S	*	3/2015	Miyazaki	D13/147
D735,674	S	*	8/2015	Miyazaki	D13/147
D739,825	S	*	9/2015	Omodachi	D13/147
D739,826	S	*	9/2015	Omodachi	D13/147
D759,600	S	*	6/2016	Takemoto	D13/147
D774,462	S	*	12/2016	Omodachi	D13/147
D774,463	S	*	12/2016	Omodachi	D13/147
D774,464	S	*	12/2016	Takenaga	D13/147
D792,854	S	*	7/2017	Ashibu	D13/147
D793,342	S	*	8/2017	Ashibu	D13/147
D795,813	S	*	8/2017	Goto	D13/147
9,728,882	B1	*	8/2017	Nakazawa	H01R 12/716
D810,694	S	*	2/2018	Horino	D13/147
D811,344	S	*	2/2018	Ozeki	D13/147
D816,043	S	*	4/2018	Ashibu	H01R 12/00
						D13/147
D824,336	S	*	7/2018	Yayoshi	H01R 12/52
						D13/147
D826,166	S	*	8/2018	Yayoshi	H01R 12/716
						D13/147
D828,306	S	*	9/2018	Horino	H01R 12/716
						D13/147
2012/0231637	A1	*	9/2012	Takeuchi	H01R 12/716
						439/65
2014/0227899	A1	*	8/2014	Tanaka	H01R 13/631
						439/357
2016/0315430	A1	*	10/2016	Takeuchi	H01R 12/00
2018/0175561	A1	*	6/2018	Chen	H01R 12/52

* cited by examiner



FIG. 1



FIG. 2



FIG. 3

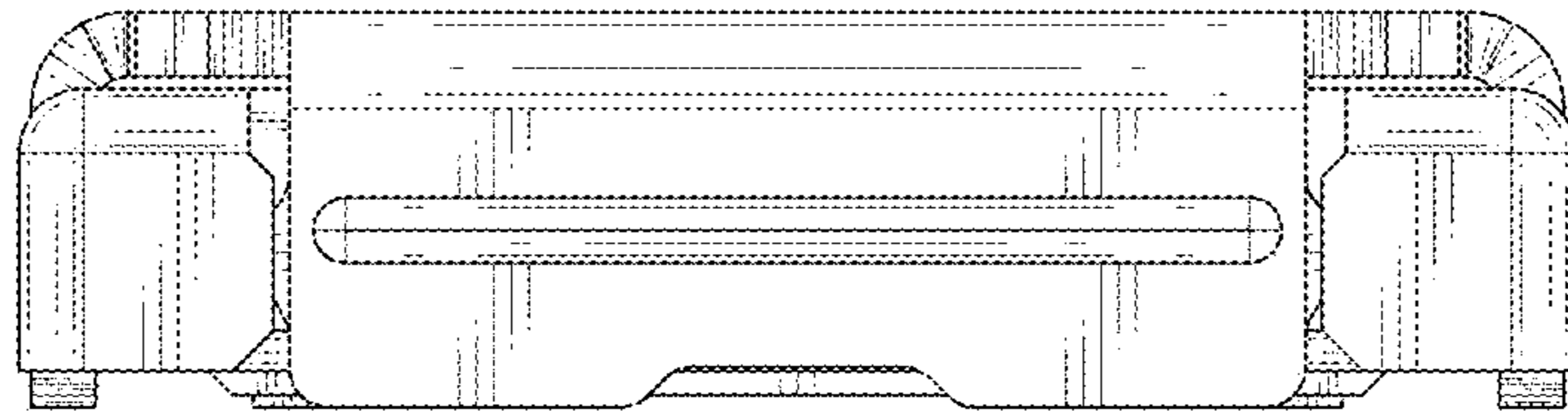


FIG. 4

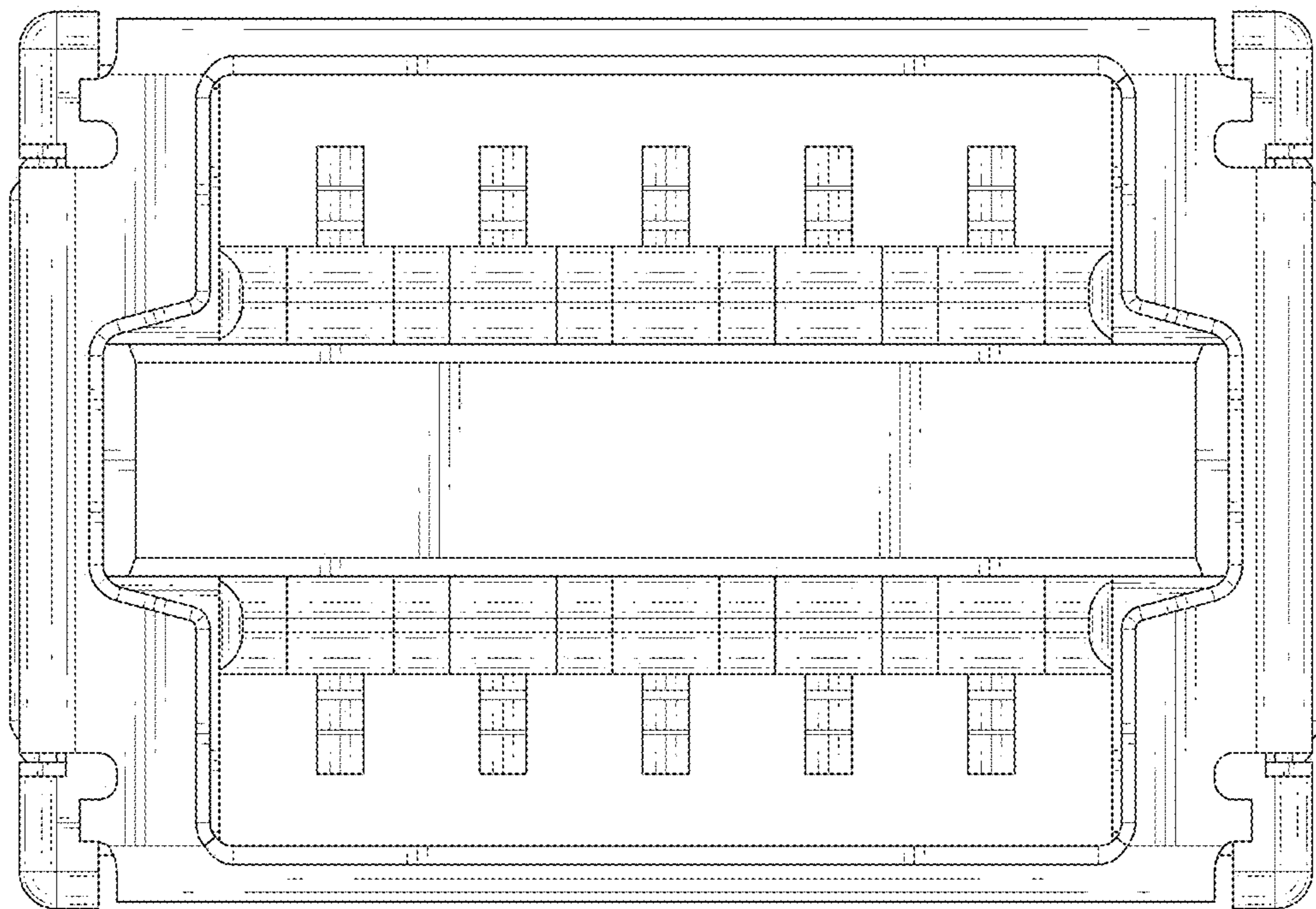


FIG. 5

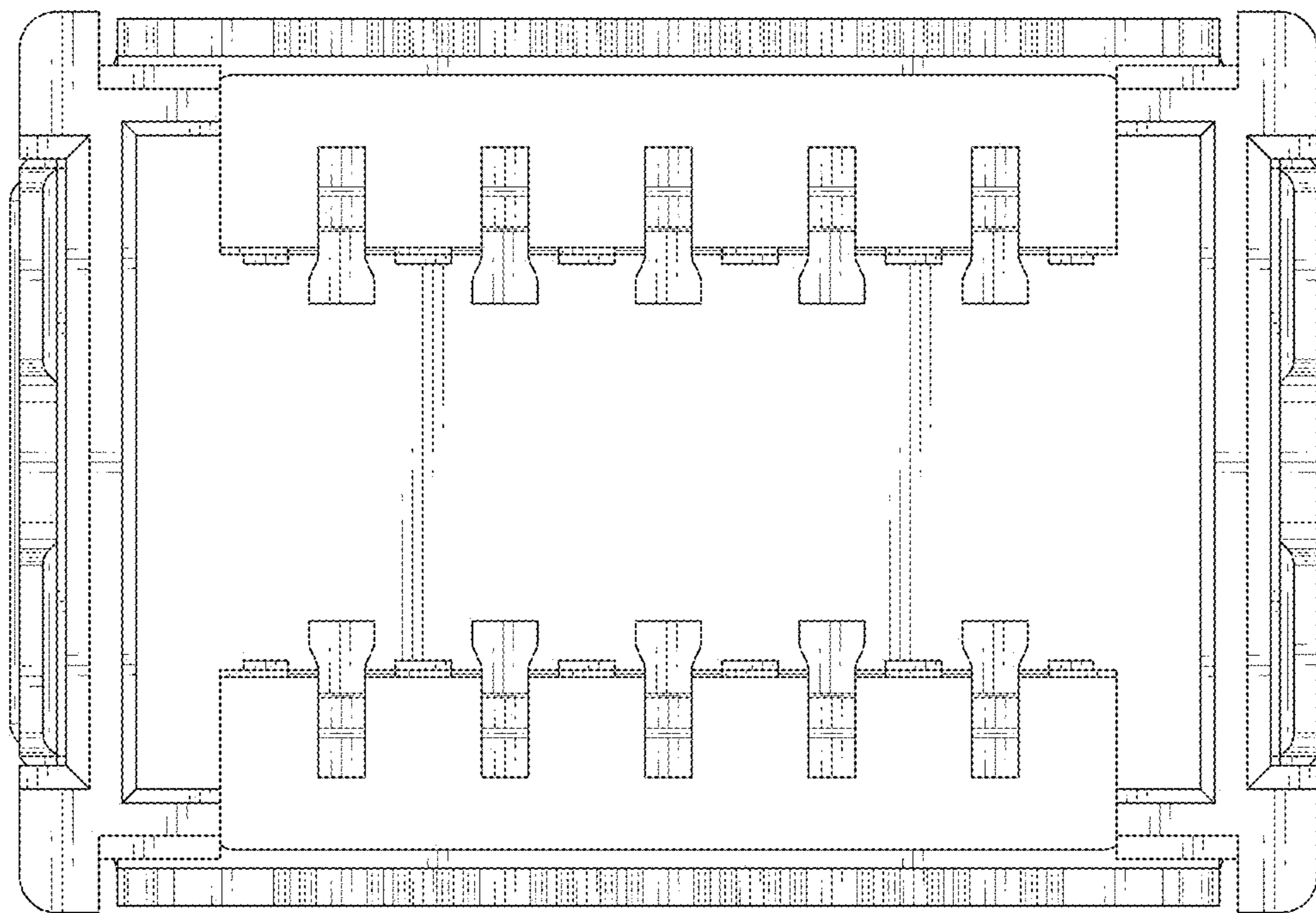


FIG. 6

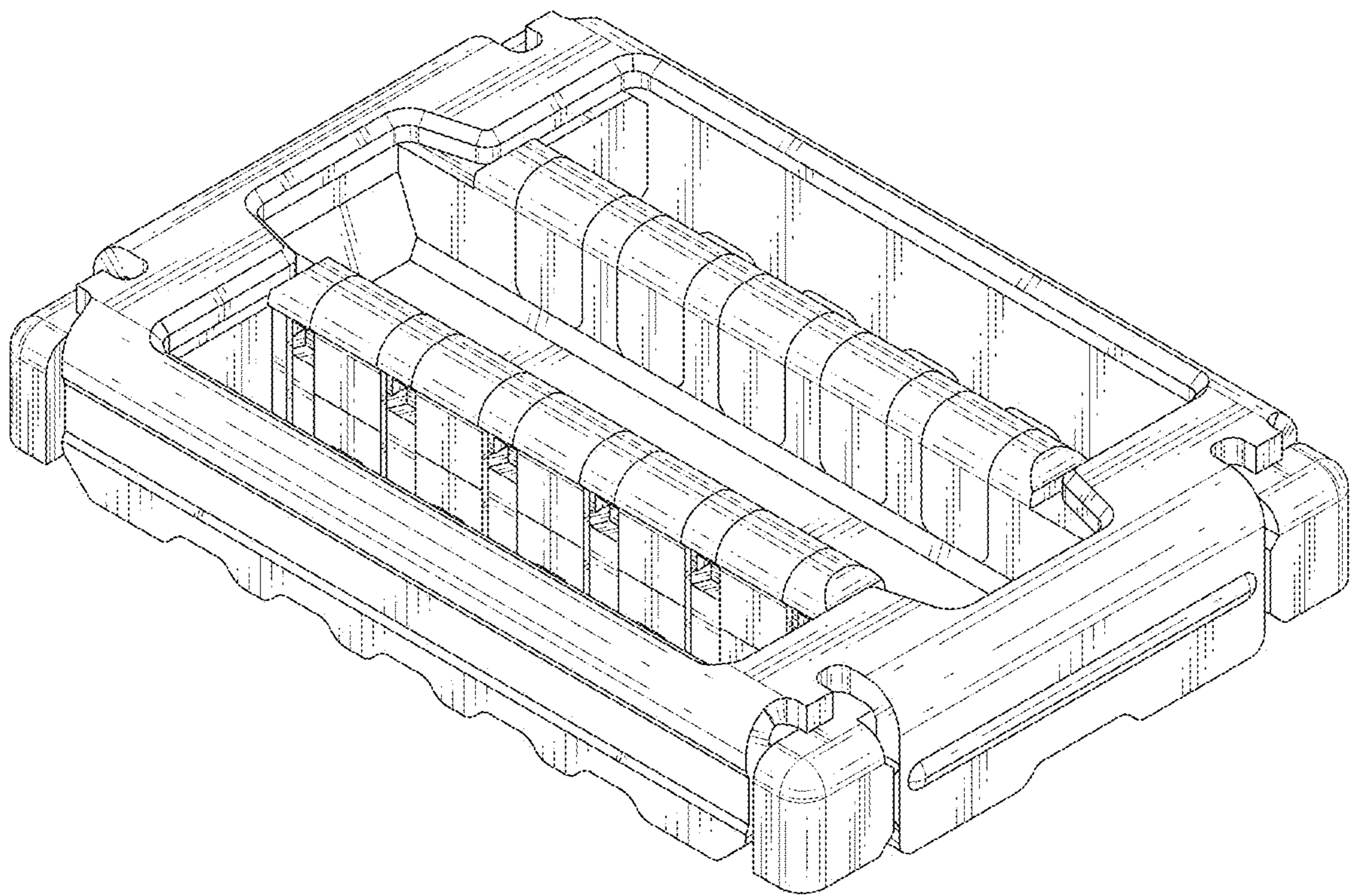


FIG. 7

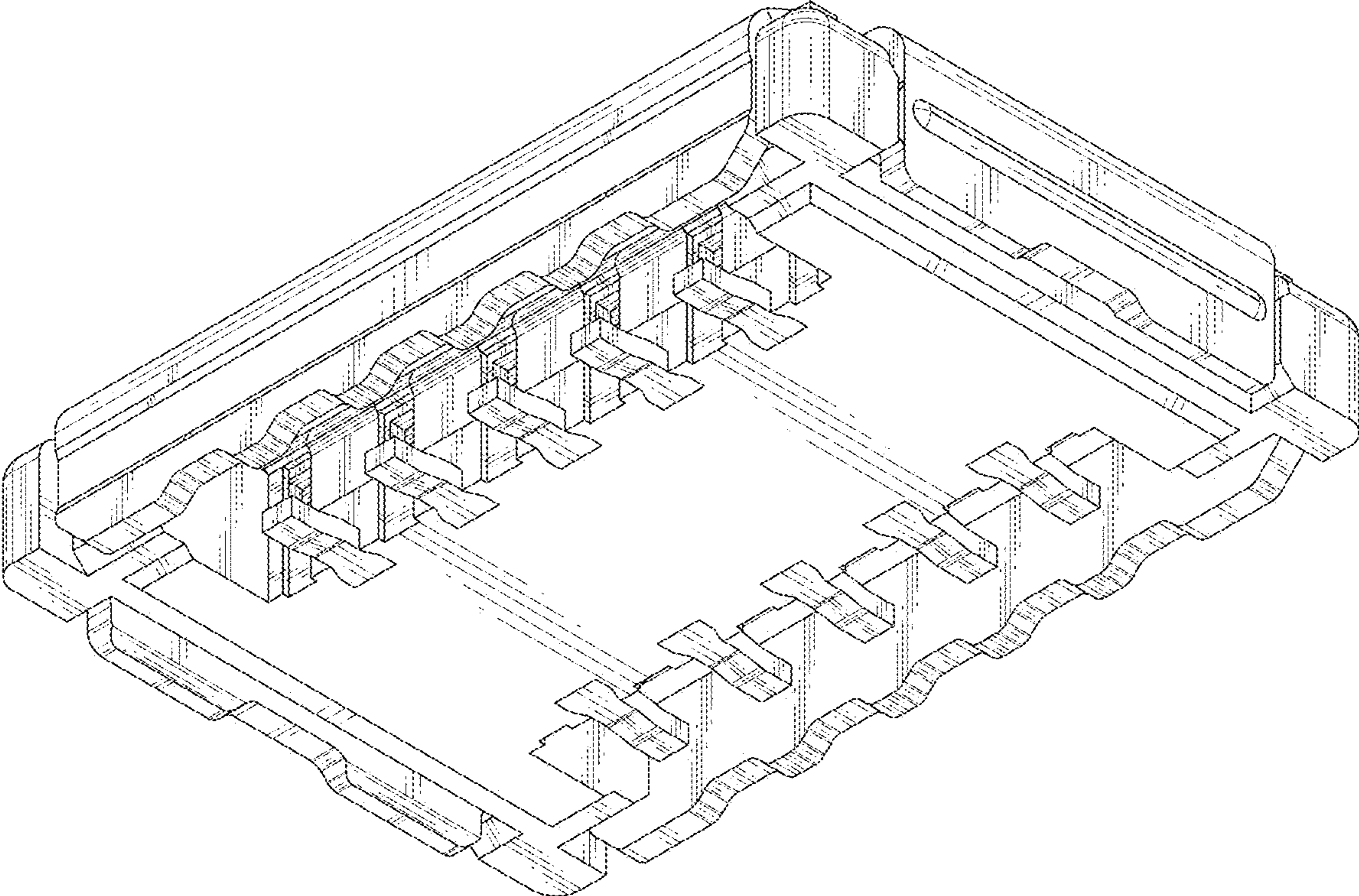


FIG. 8

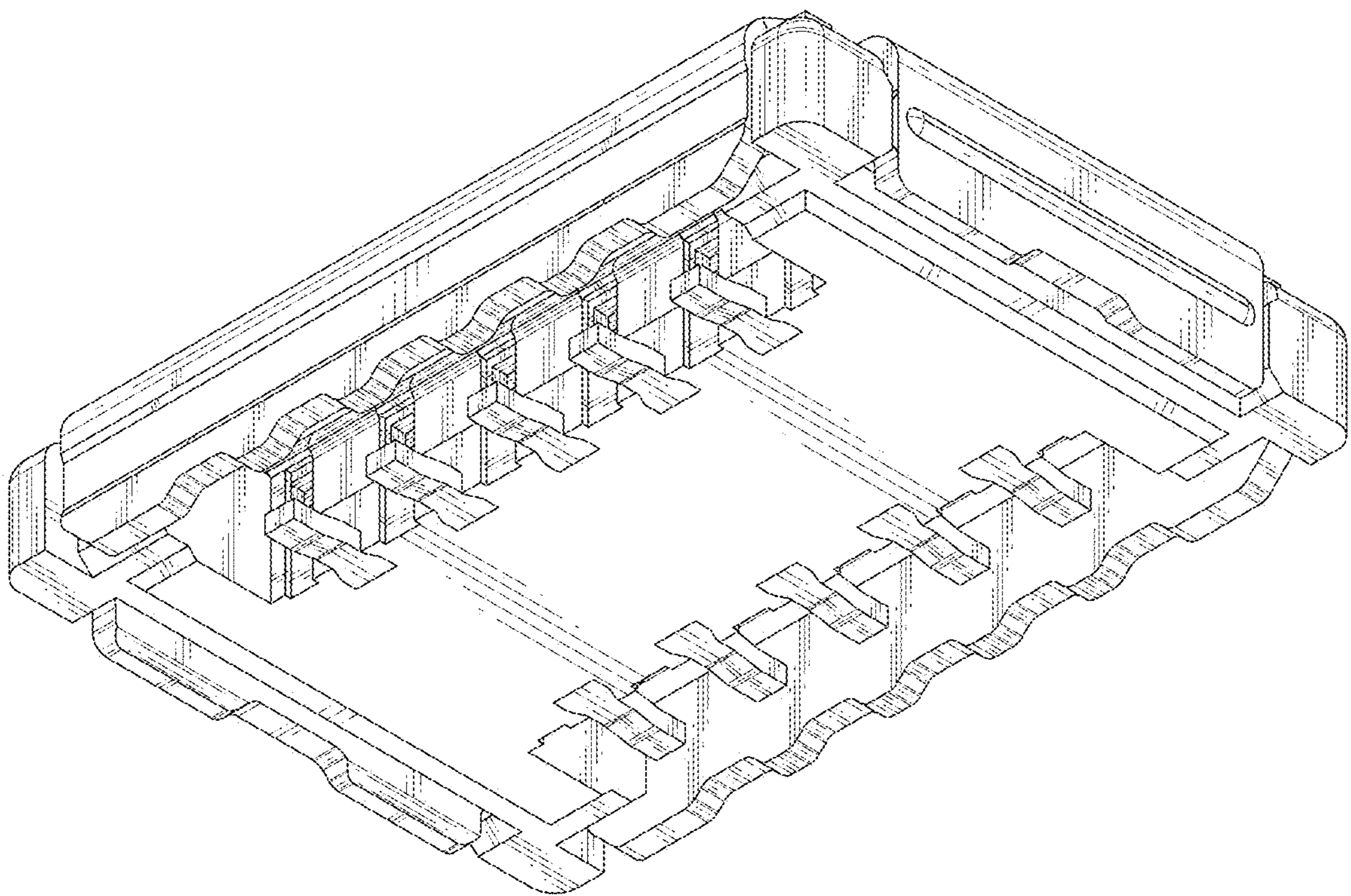


FIG. 9

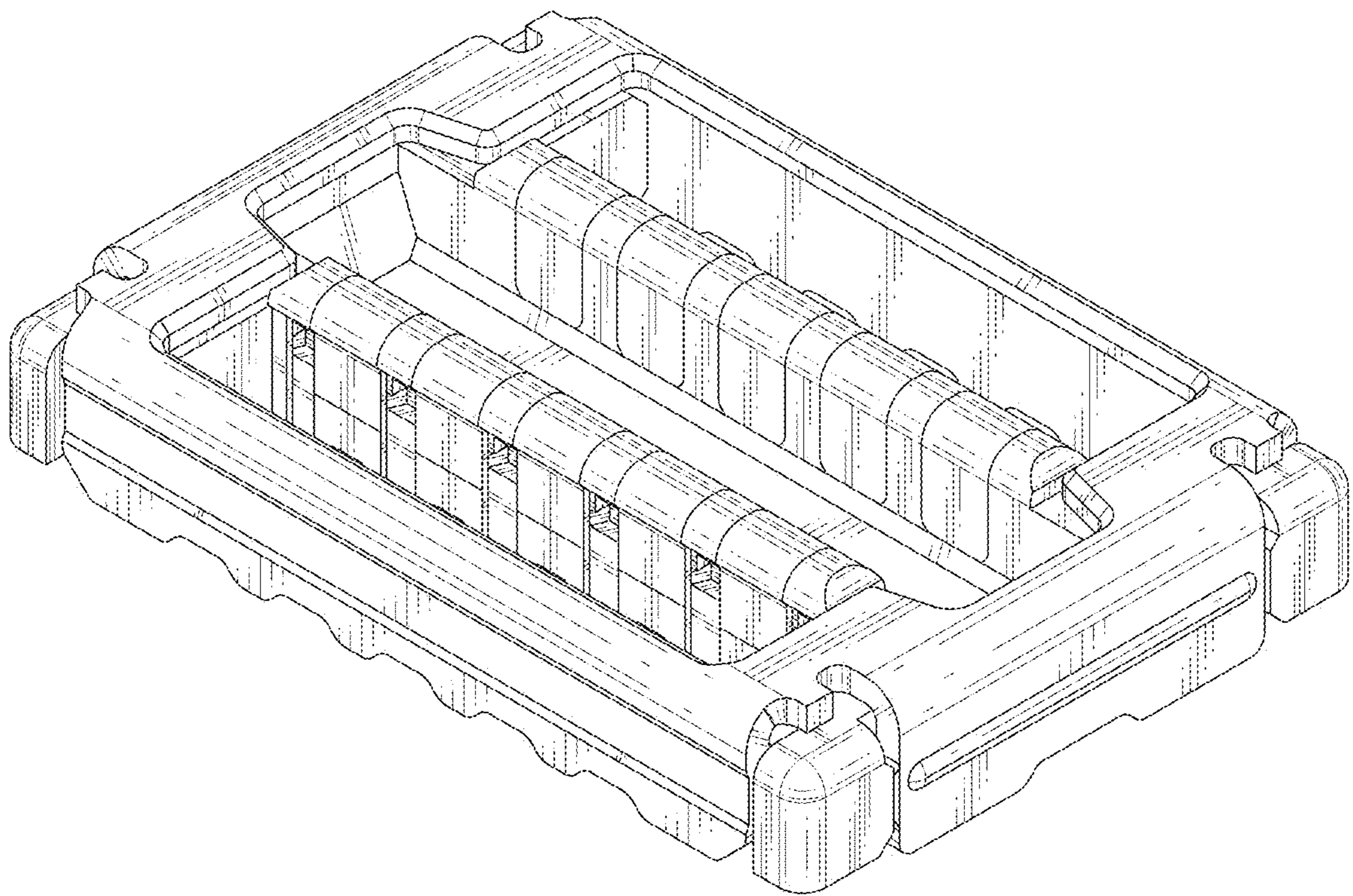


FIG. 10