



US00D923575S

(12) **United States Design Patent**
Zou

(10) **Patent No.:** **US D923,575 S**
(45) **Date of Patent:** **** Jun. 29, 2021**

(54) **PUSH PULL CONNECTOR (STRAIGHT)
WITH A DIAGONAL ANTI-SLIP PATTERN**

(71) Applicant: **Jiusheng Zou**, Dongguan (CN)

(72) Inventor: **Jiusheng Zou**, Dongguan (CN)

(**) Term: **15 Years**

(21) Appl. No.: **29/641,084**

(22) Filed: **Mar. 20, 2018**

(51) **LOC (13) Cl.** **13-03**

(52) **U.S. Cl.**
USPC **D13/133; D13/147; D13/151**

(58) **Field of Classification Search**
USPC D13/118, 123, 133, 146, 147, 149, 151,
D13/154, 173, 184, 199; D24/129
CPC ... H01R 4/18; H01R 4/24; H01R 9/00; H01R
9/05; H01R 13/52; H01R 13/622; H01R
13/627; H01R 13/66; H01R 25/00; H01R
31/00

See application file for complete search history.

(56) **References Cited**

U.S. PATENT DOCUMENTS

4,795,360	A *	1/1989	Newman	H01R 13/5221 439/277
5,685,730	A *	11/1997	Cameron	H01R 13/625 439/333
D511,747	S *	11/2005	Rey	D13/146
D527,346	S *	8/2006	Brodin	D13/146
D559,785	S *	1/2008	Tosetti	A61C 1/18 D13/133
D585,837	S *	2/2009	Kuehne	D13/146
7,874,860	B2 *	1/2011	Starke	H01R 13/622 439/216

D649,939	S *	12/2011	Erickson	D13/147
D667,793	S *	9/2012	Yamamoto	D13/133
D669,033	S *	10/2012	Senk	D13/133
D697,869	S *	1/2014	Yamamoto	D13/146
D700,143	S *	2/2014	Ichio	D13/120
D707,179	S *	6/2014	Smith	D13/146
D715,227	S *	10/2014	Leem	D13/146
D716,233	S *	10/2014	Lai	D13/146
D726,122	S *	4/2015	Su	D13/154
D726,123	S *	4/2015	Su	D13/154
D787,448	S *	5/2017	Robert	D13/151
D810,029	S *	2/2018	Robert	D13/151
D825,568	S *	8/2018	Morris	D14/433
D826,172	S *	8/2018	Morris	D13/147
D828,838	S *	9/2018	Morris	D14/433
10,393,045	B2 *	8/2019	Shock	F02D 41/266
D861,607	S *	10/2019	Matthews	D13/120
D872,693	S *	1/2020	Watkins	D13/133

* cited by examiner

Primary Examiner — Mark A Goodwin

(57) **CLAIM**

The ornamental design for a push pull connector (straight) with a diagonal anti-slip pattern, as shown and described.

DESCRIPTION

FIG. 1 is a front right bottom perspective end view of a push pull connector (straight) with a diagonal anti-slip pattern showing my new design.

FIG. 2 is a bottom view thereof.

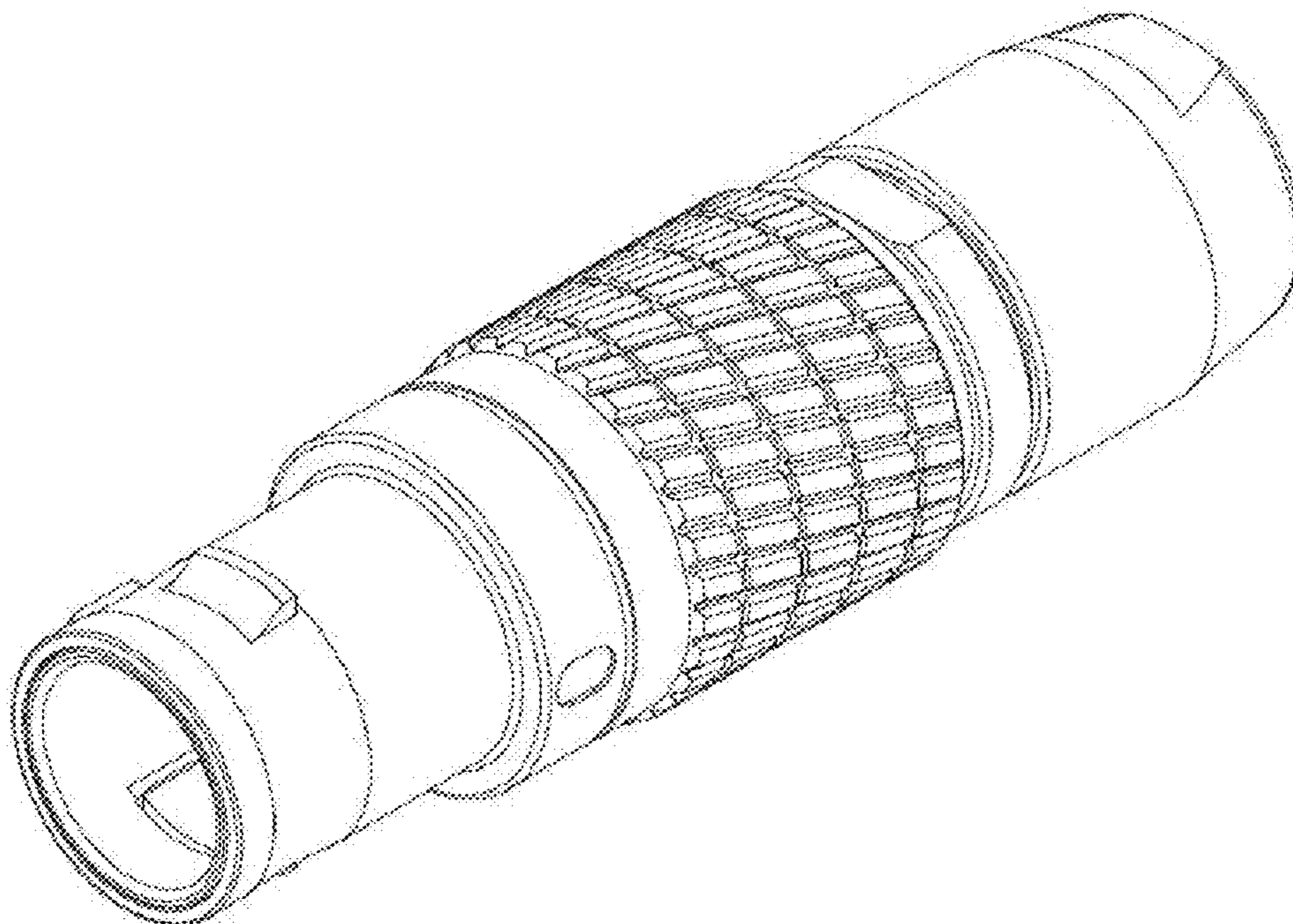
FIG. 3 is a left back bottom perspective end view thereof.

FIG. 4 is a bottom end side perspective view thereof.

FIG. 5 is a right side perspective view thereof; and,

FIG. 6 is a left side perspective view thereof.

1 Claim, 6 Drawing Sheets



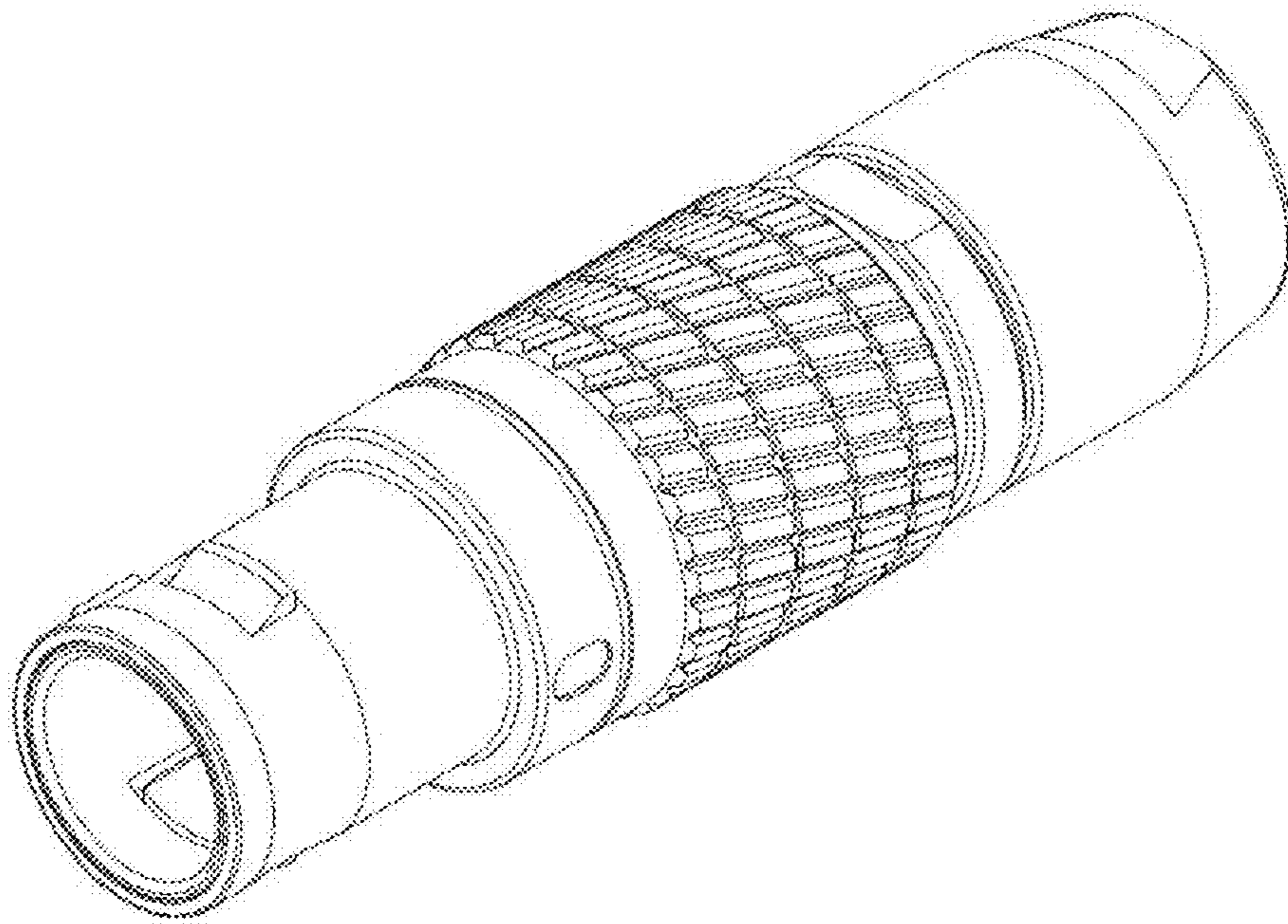


Figure 1

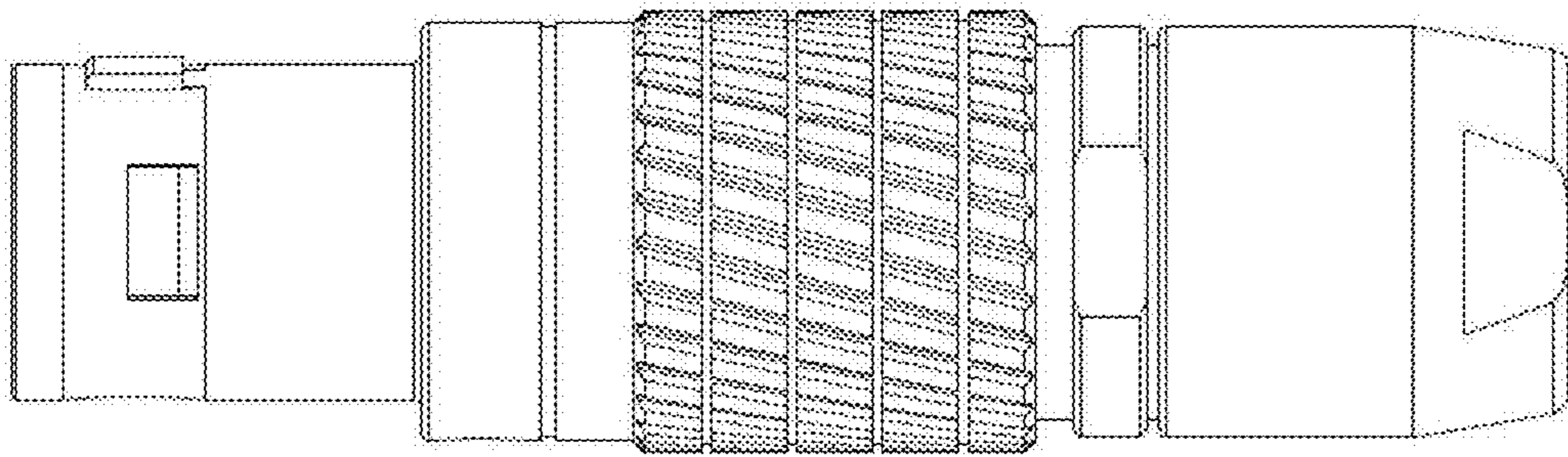


Figure 2

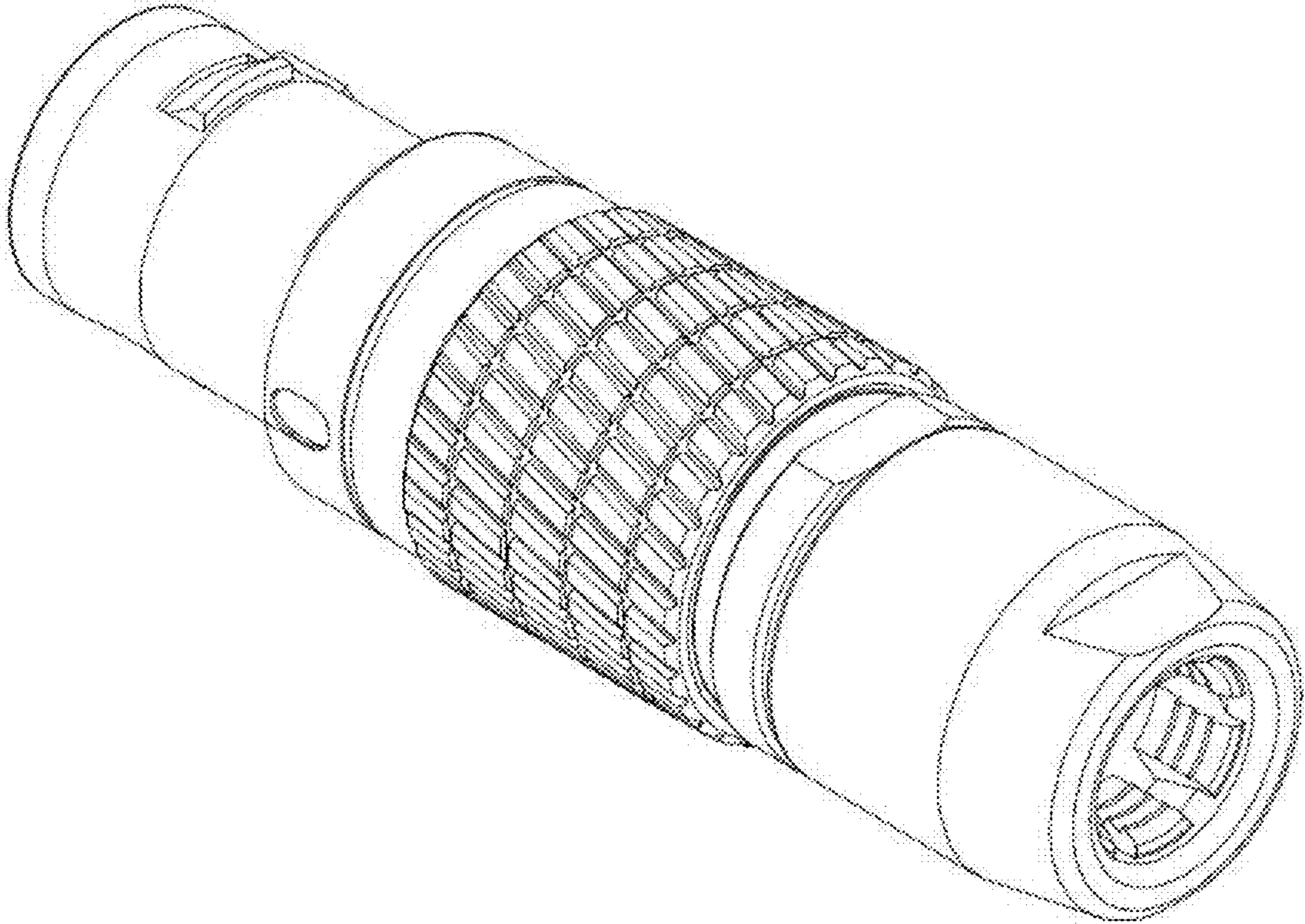


Figure 3

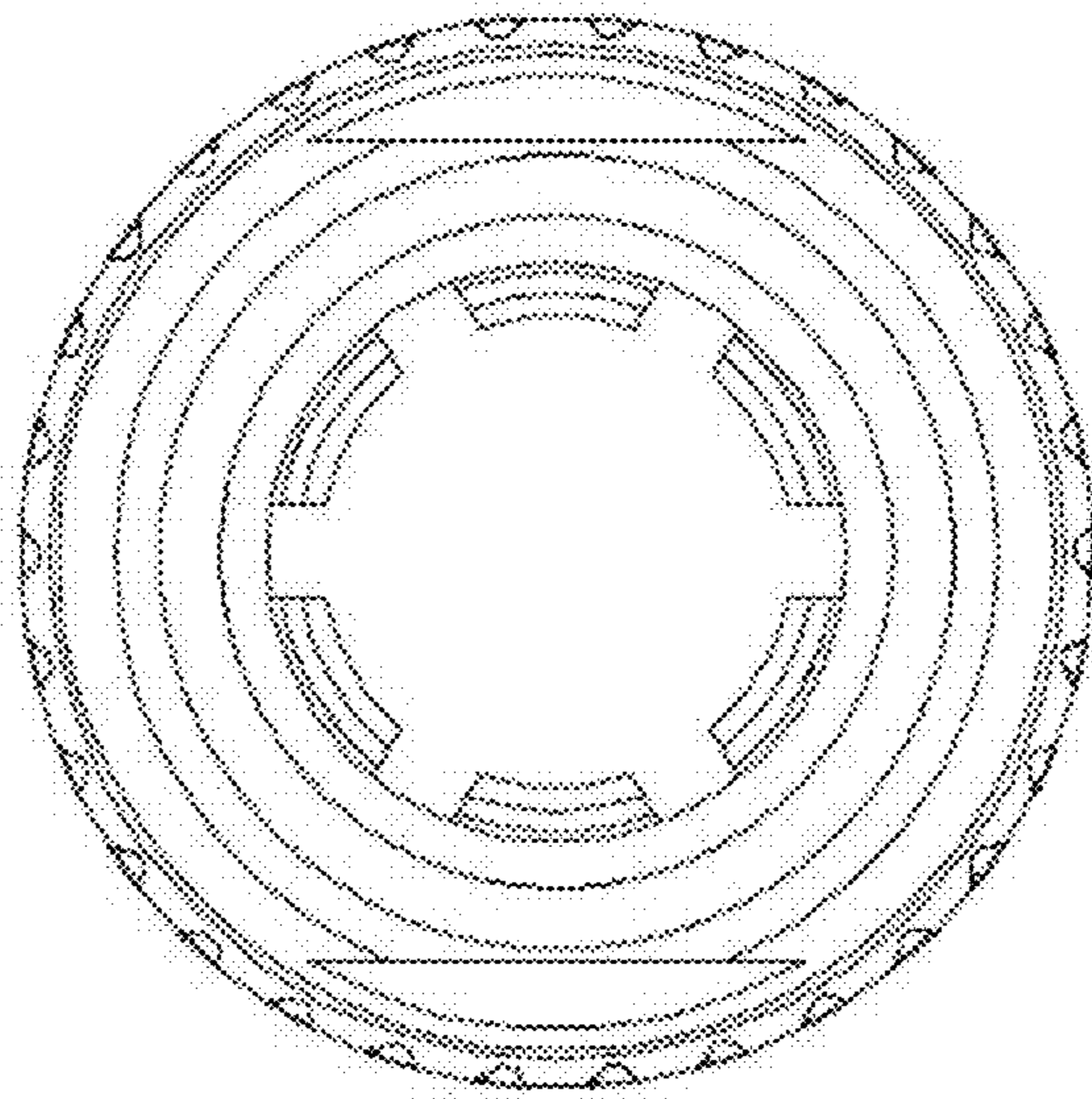


Figure 4

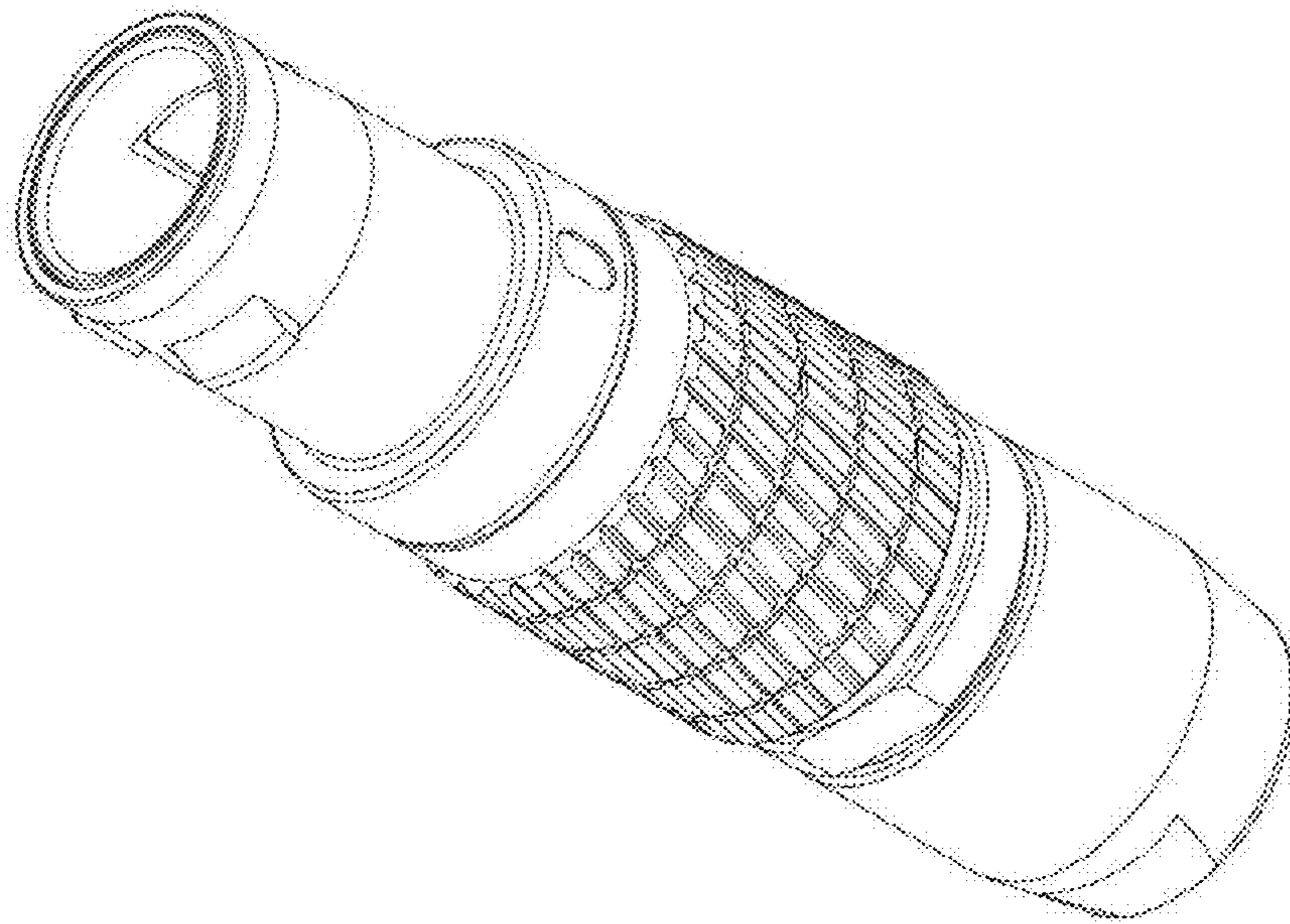


Figure 5

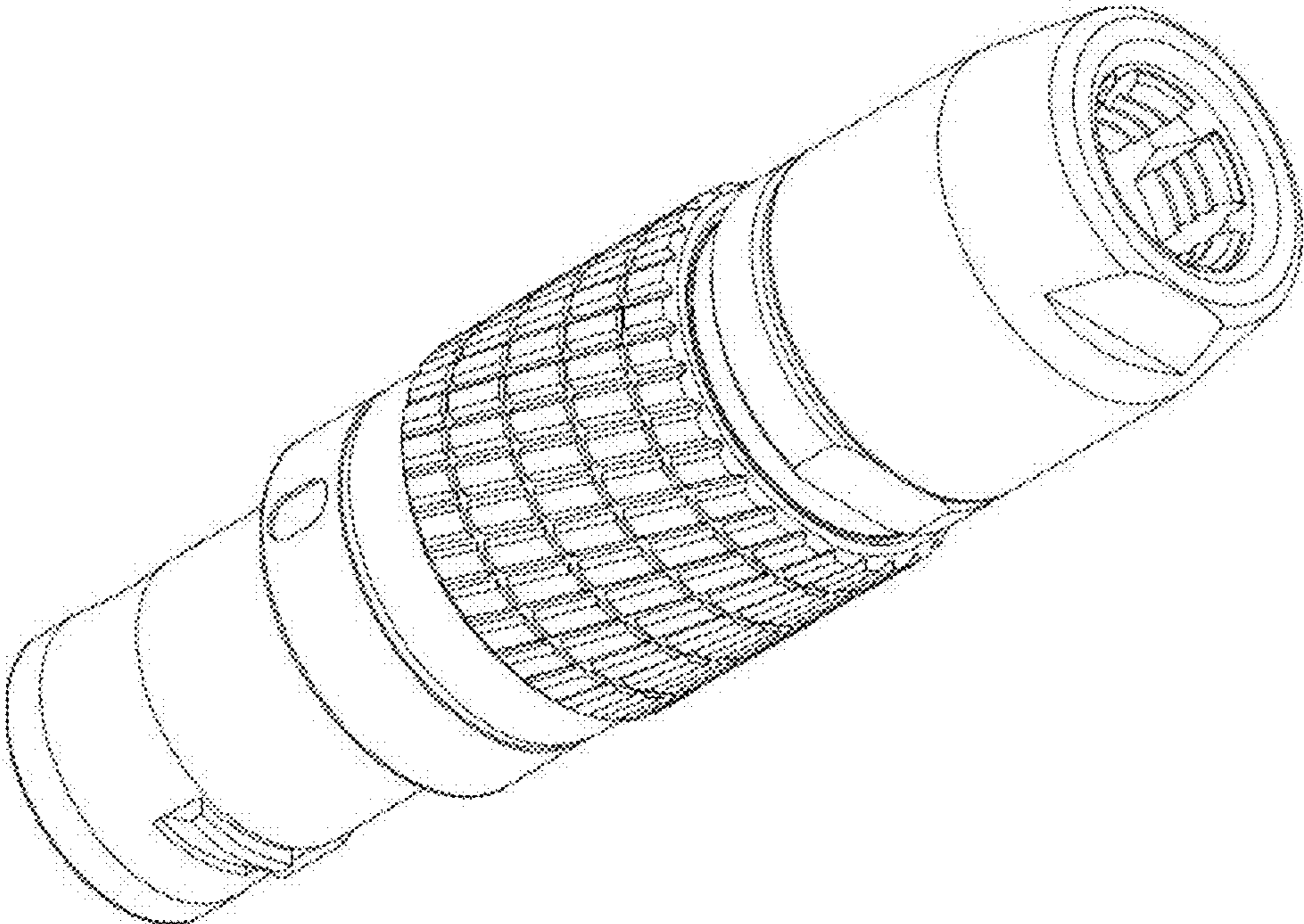


Figure 6