



US00D923573S

(12) **United States Design Patent**
Zhang

(10) **Patent No.:** **US D923,573 S**
(45) **Date of Patent:** **** Jun. 29, 2021**

(54) **STIRLING ENGINE**

(71) Applicant: **Yi Zhang**, Wuhan (CN)

(72) Inventor: **Yi Zhang**, Wuhan (CN)

(**) Term: **15 Years**

(21) Appl. No.: **29/759,344**

(22) Filed: **Nov. 22, 2020**

(51) **LOC (13) Cl.** **13-01**

(52) **U.S. Cl.**
USPC **D13/114; D21/528**

(58) **Field of Classification Search**
USPC D15/5, 1, 199; D13/101, 110, 112, 114,
D13/115, 118, 122, 180, 184, 199;
D21/528

CPC . F02G 1/04; F02G 1/043; F02G 1/044; F02G
1/057; F01K 23/06; F01K 23/10; F01B
29/10; F28D 7/06

See application file for complete search history.

(56) **References Cited**

U.S. PATENT DOCUMENTS

- 6,253,550 B1 * 7/2001 Langenfeld F01B 9/02
60/518
- 8,793,992 B2 8/2014 Schamp et al.
- D904,303 S * 12/2020 Xu D13/114
- D906,244 S * 12/2020 Xu D13/114
- 2003/0167766 A1 * 9/2003 Koscsisek F02G 1/06
60/517

- 2008/0295684 A1 * 12/2008 Lin F02G 1/044
92/186
- 2009/0272111 A1 * 11/2009 Abe F02G 1/045
60/522
- 2011/0107757 A1 * 5/2011 Engelhart F02G 1/053
60/526

OTHER PUBLICATIONS

Engine (balance-type type Stirling) CN305821193 Chen Fanghai
Jun. 2, 2020 (Year: 2020).*

* cited by examiner

Primary Examiner — Ania Aman

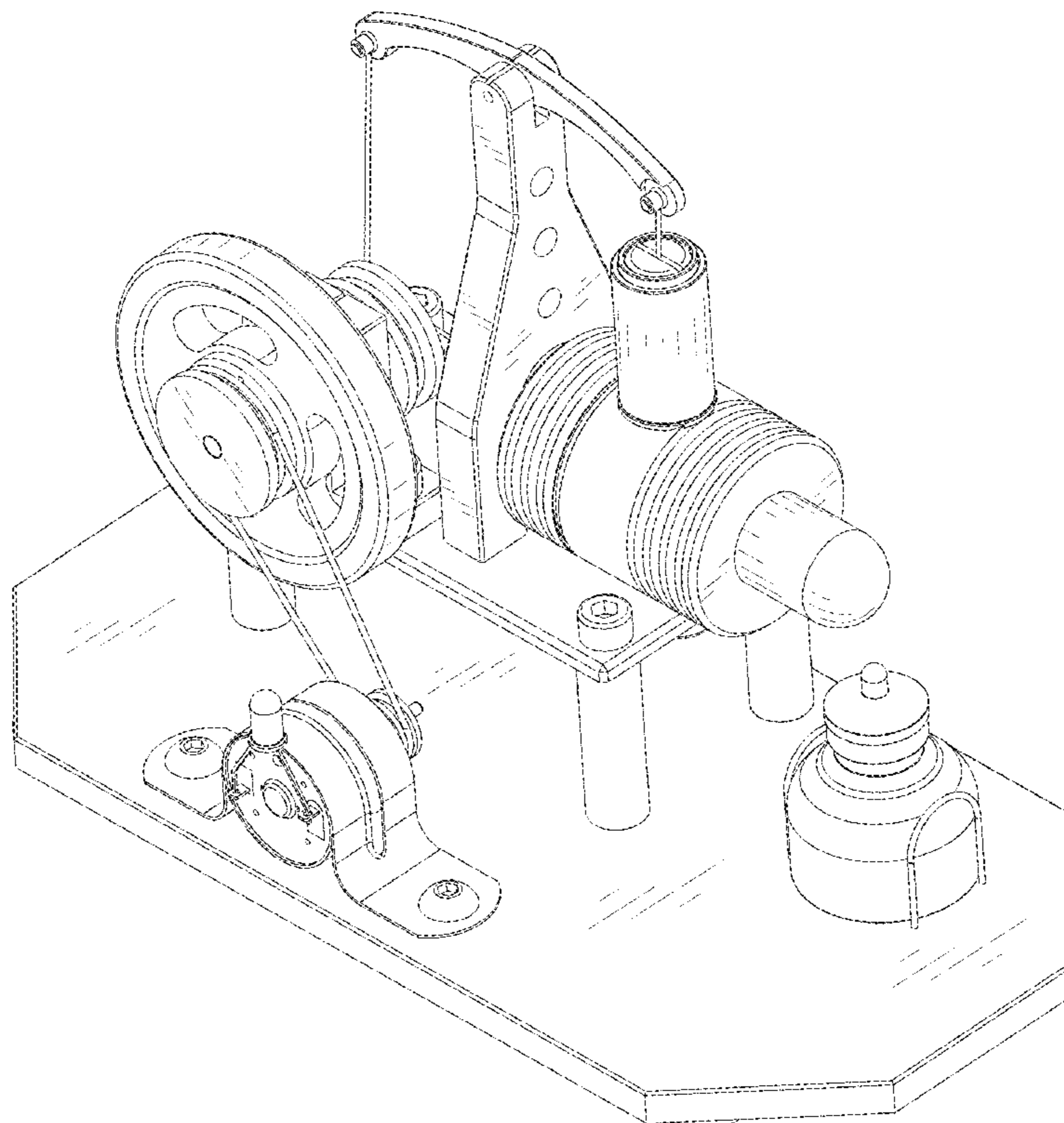
(57) **CLAIM**

The ornamental design for a stirling engine, as shown and
described.

DESCRIPTION

FIG. 1 is a front, top perspective view of the stirling engine
showing my new design;
FIG. 2 is a rear, top perspective view thereof;
FIG. 3 is a front, bottom perspective view thereof;
FIG. 4 is a front elevational view thereof;
FIG. 5 is a rear elevational view thereof;
FIG. 6 is a left side elevational view thereof;
FIG. 7 is a right side elevational view thereof;
FIG. 8 is a top plan view thereof; and,
FIG. 9 is a bottom plan view thereof.

1 Claim, 9 Drawing Sheets



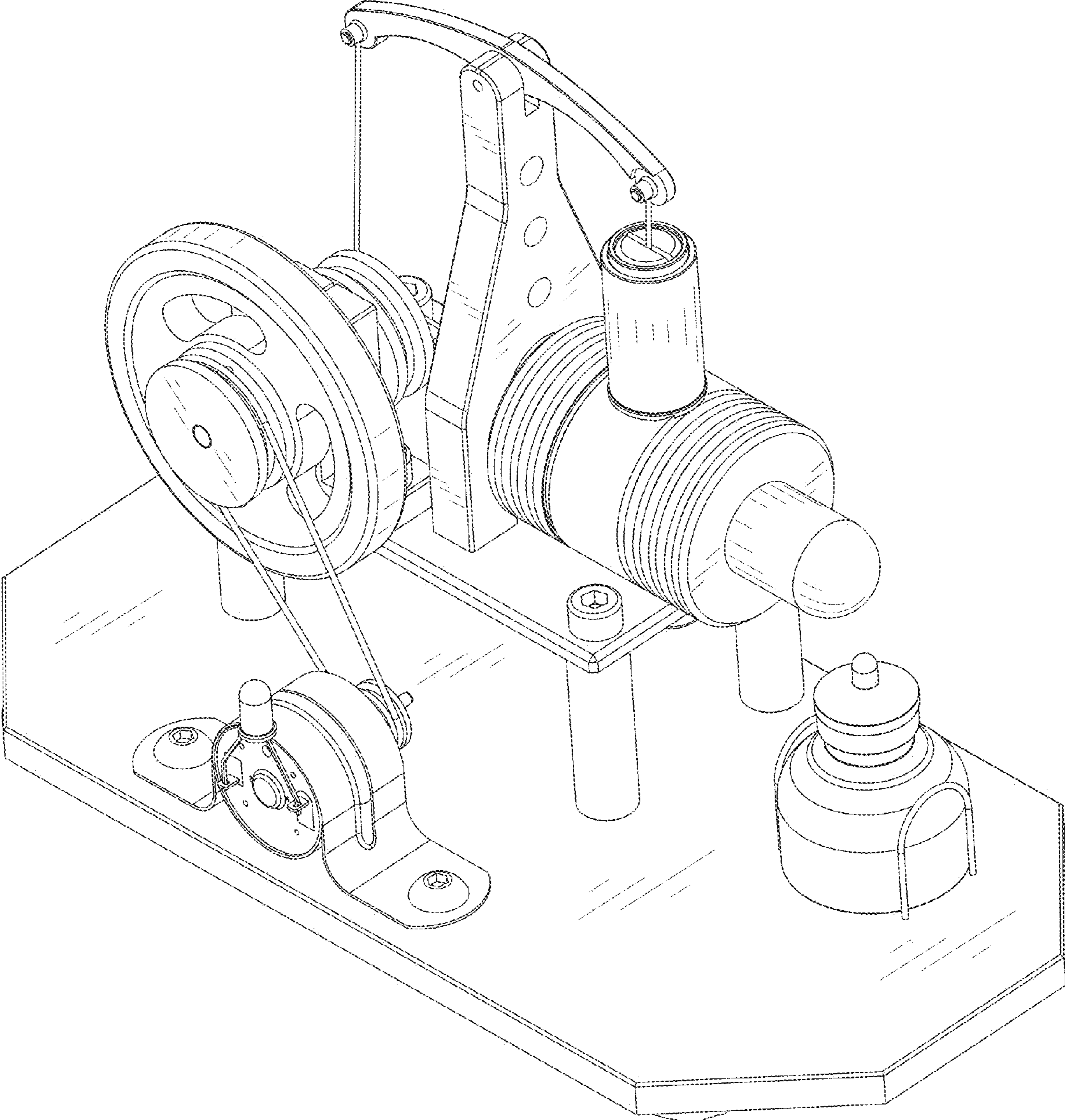


FIG. 1

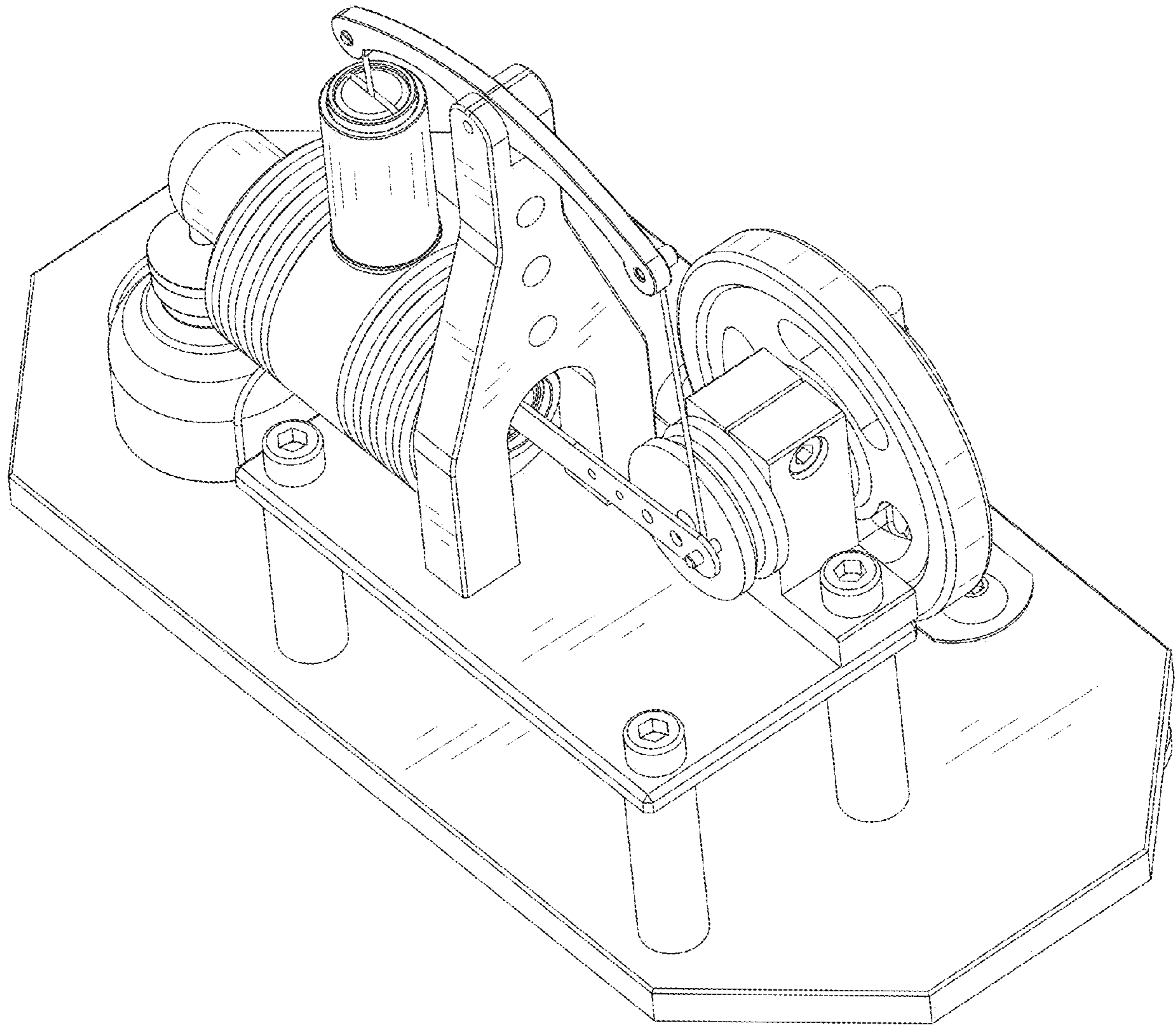


FIG. 2

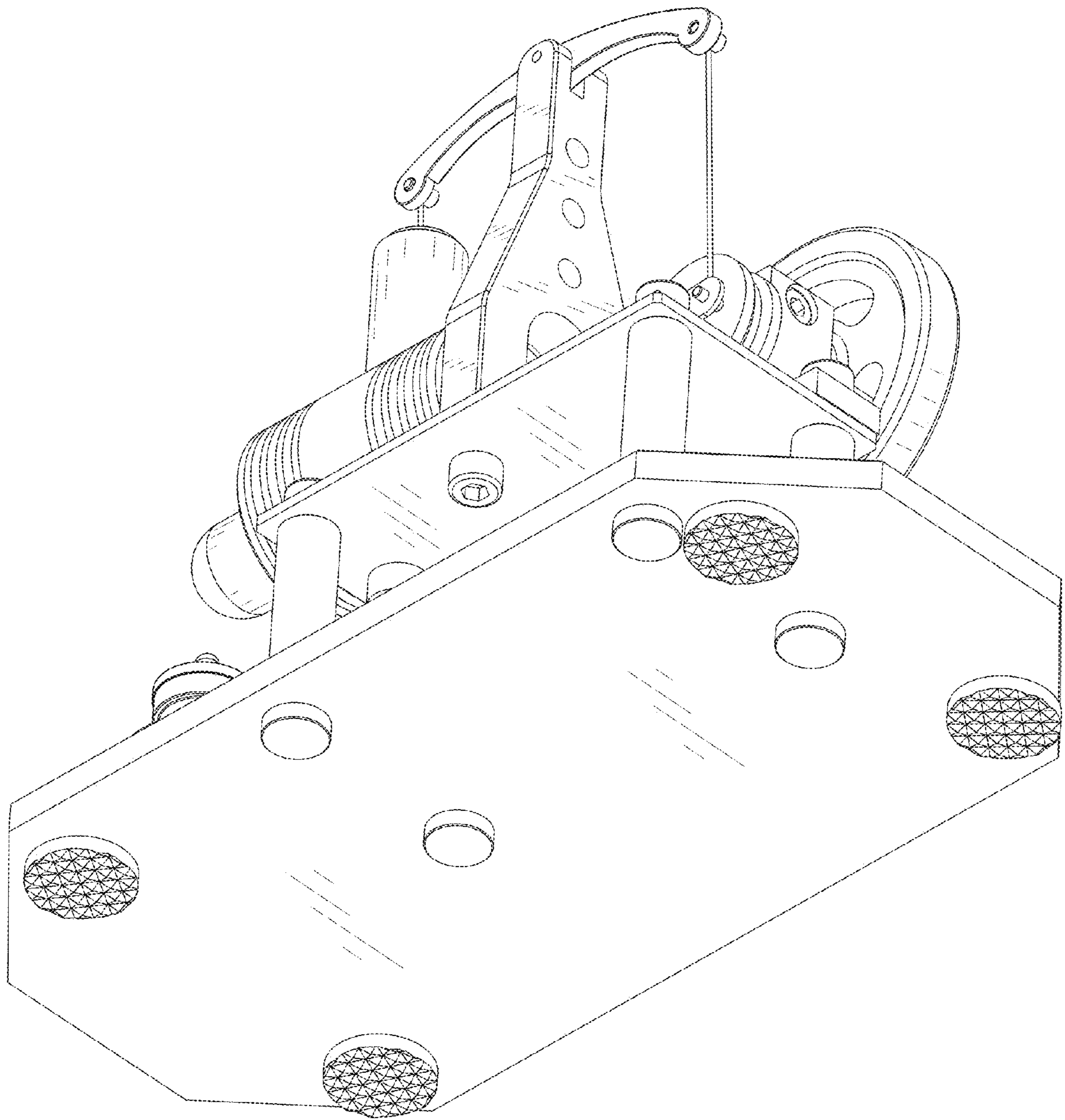


FIG. 3

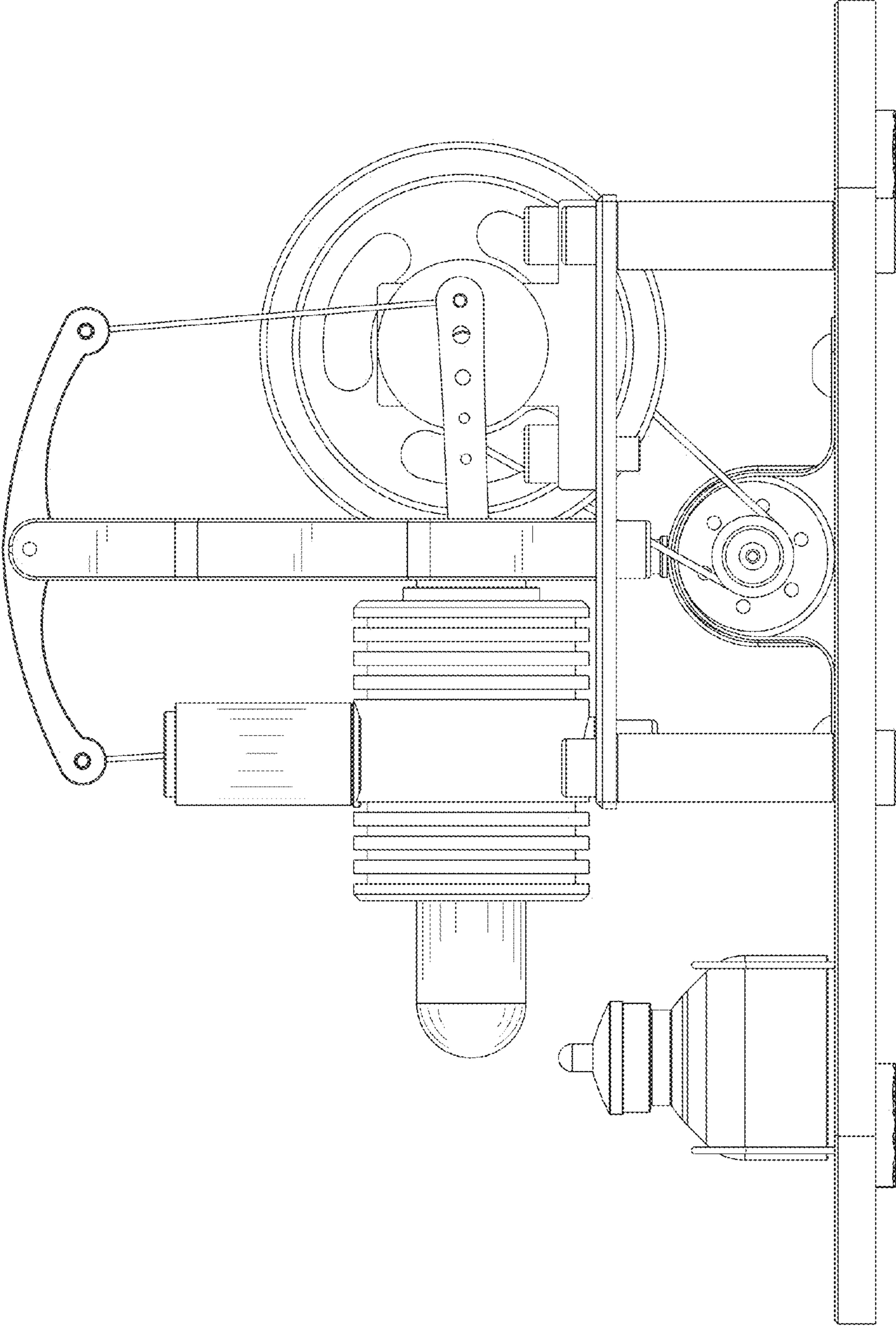


FIG. 4

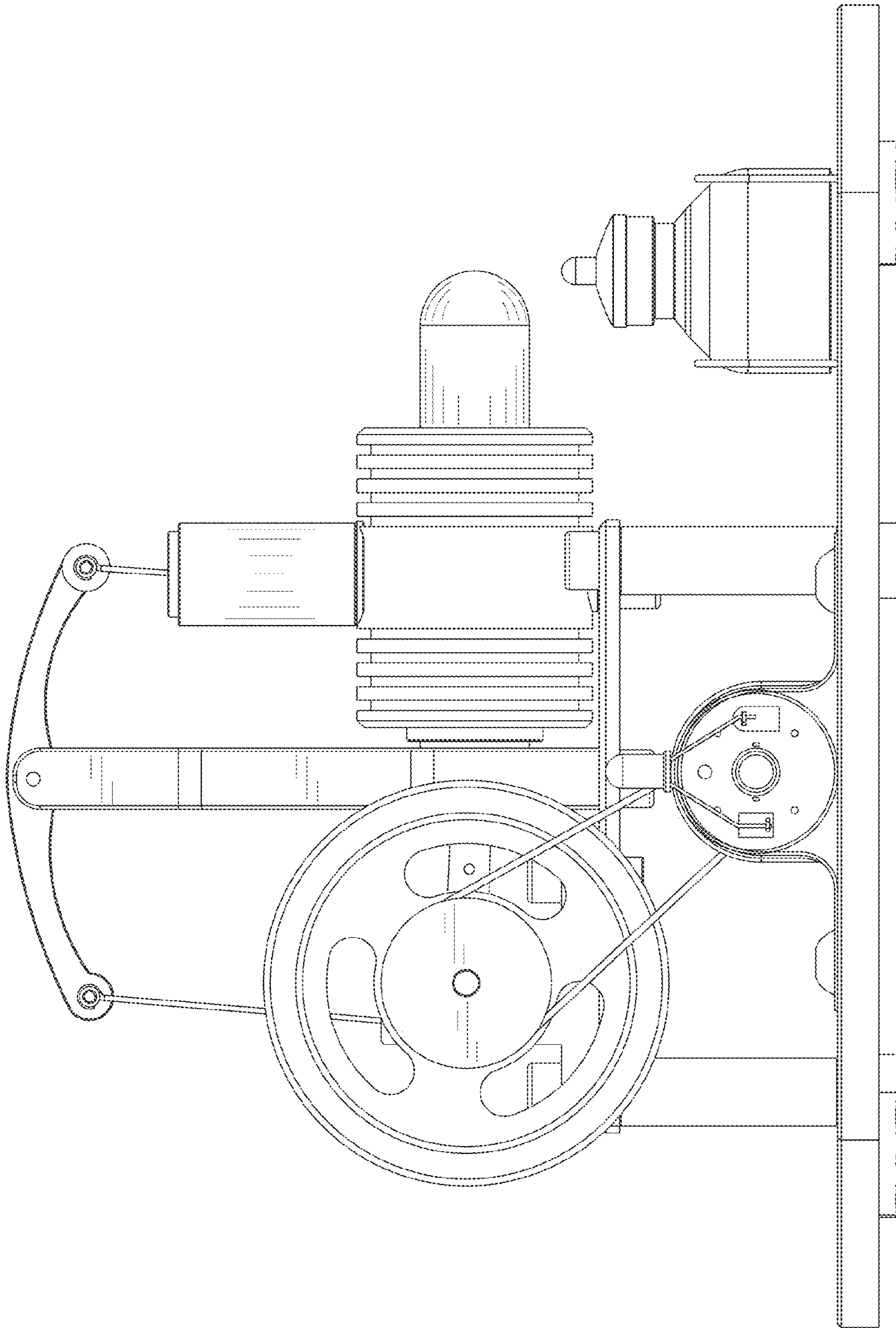


FIG. 5

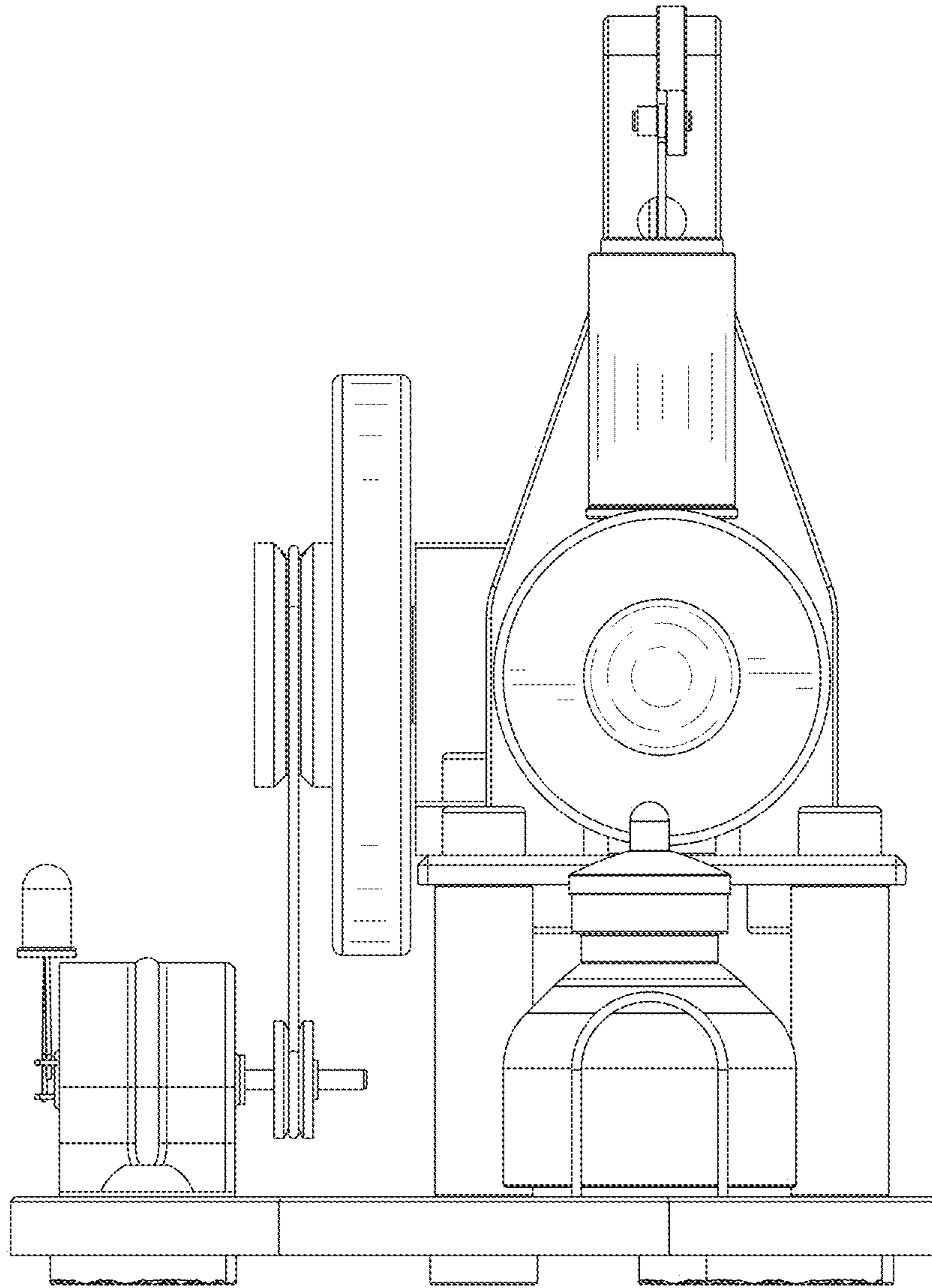


FIG. 6

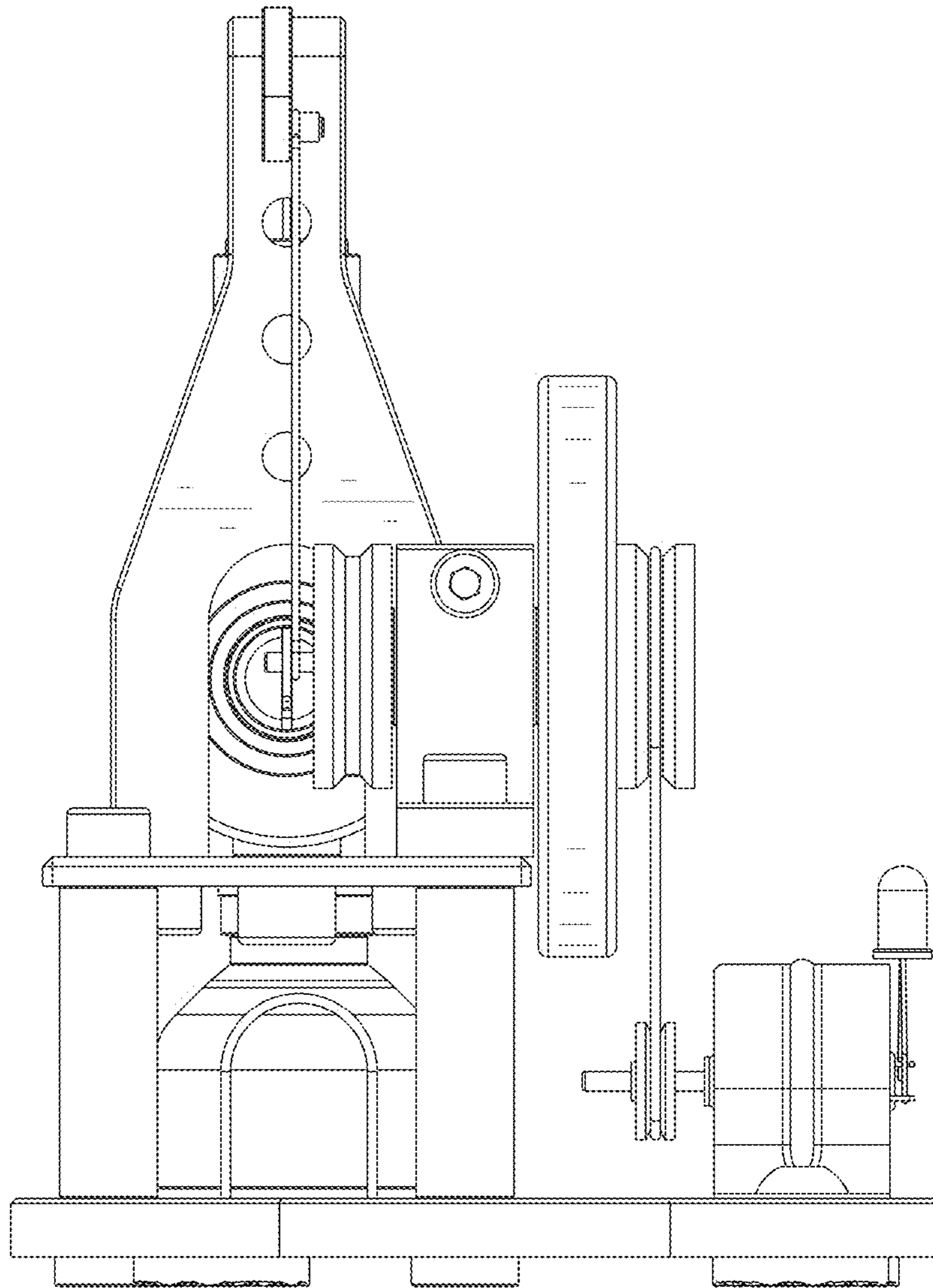


FIG. 7

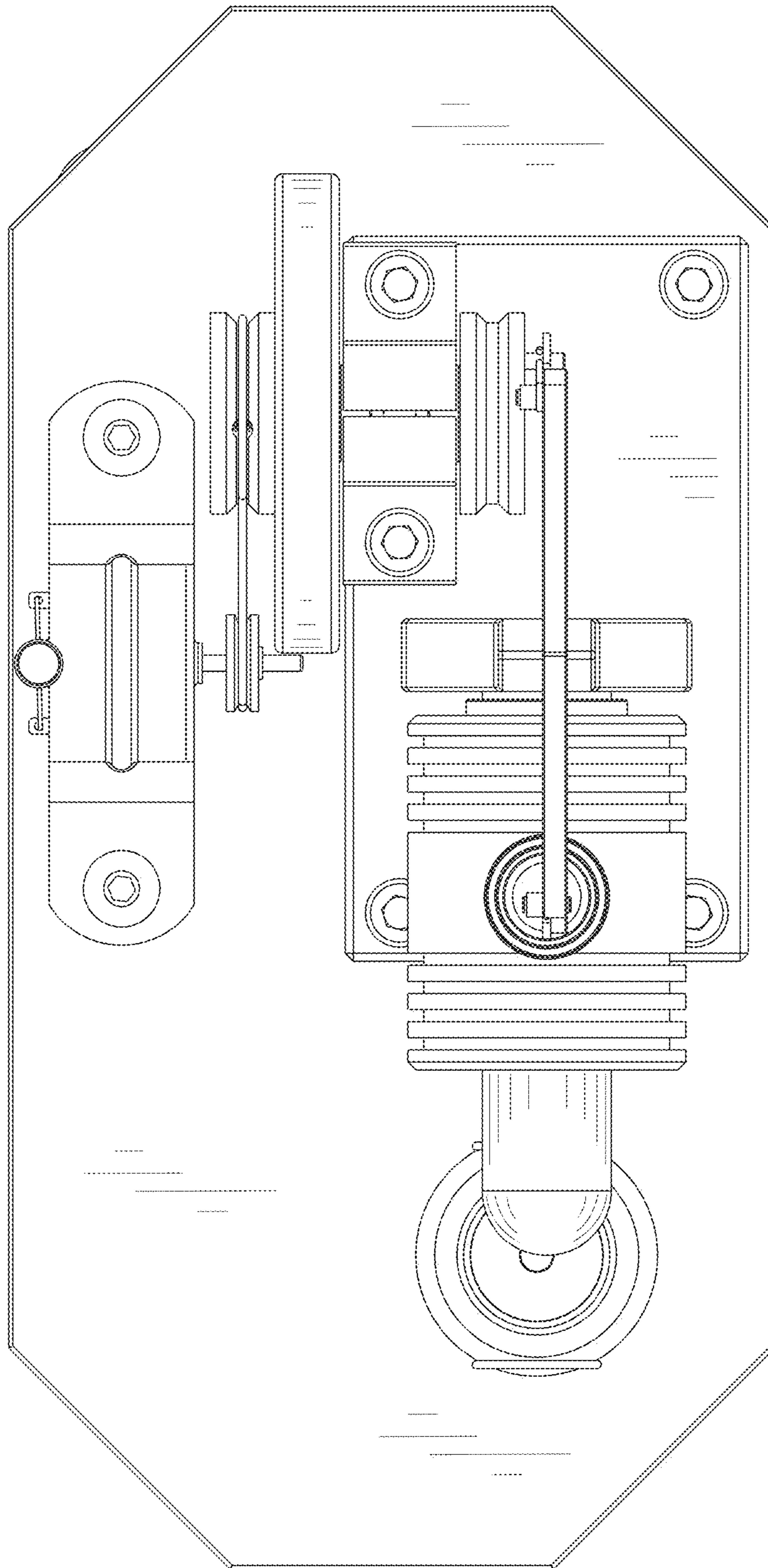


FIG. 8

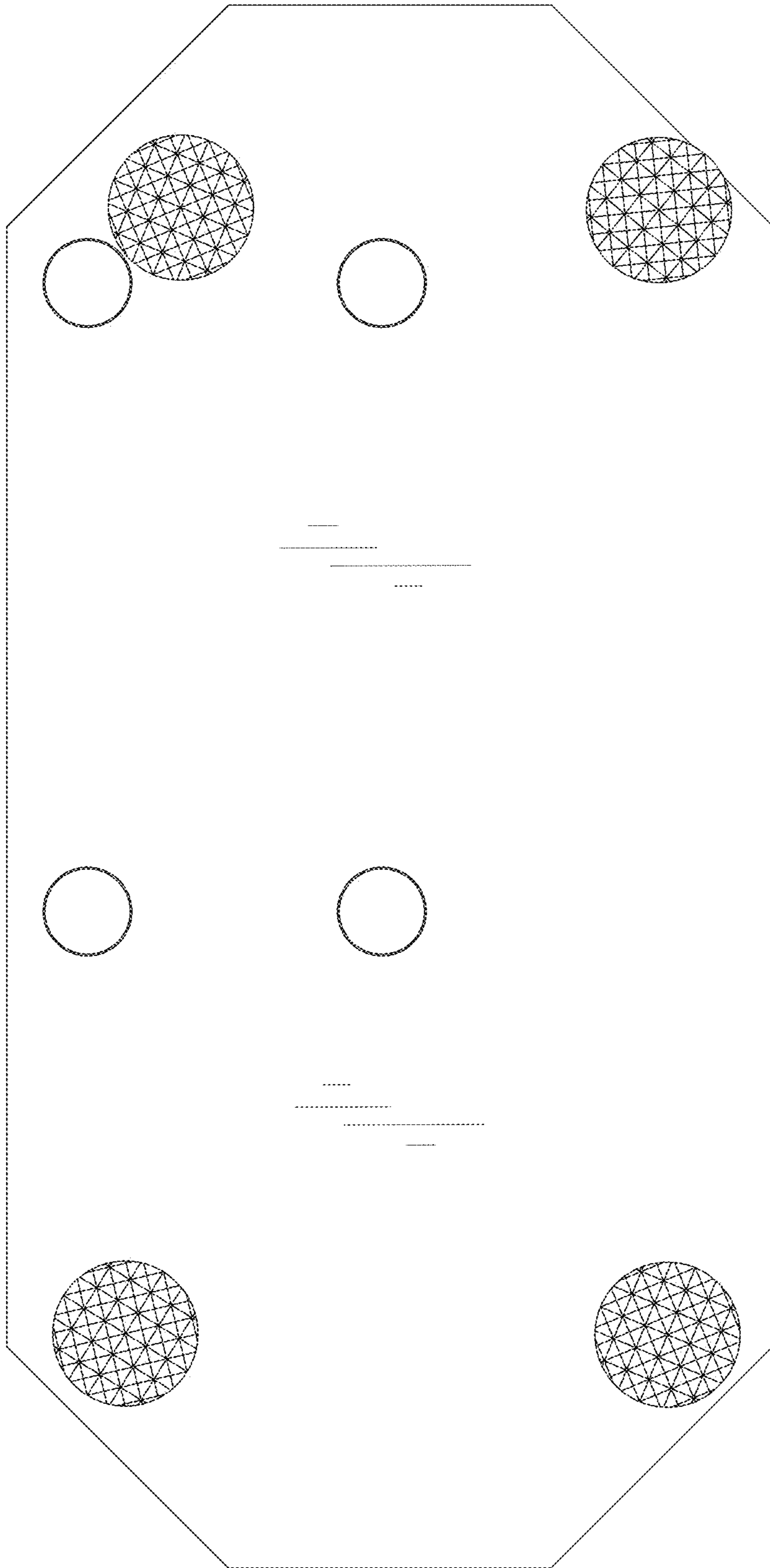


FIG. 9