



US00D923572S

(12) **United States Design Patent**
Zhang

(10) **Patent No.: US D923,572 S**

(45) **Date of Patent: ** Jun. 29, 2021**

(54) **STIRLING ENGINE**

(71) Applicant: **Yi Zhang**, Wuhan (CN)

(72) Inventor: **Yi Zhang**, Wuhan (CN)

(**) Term: **15 Years**

(21) Appl. No.: **29/759,343**

(22) Filed: **Nov. 22, 2020**

(51) **LOC (13) Cl.** **13-01**

(52) **U.S. Cl.**
USPC **D13/114; D21/528**

(58) **Field of Classification Search**
USPC D15/5, 1, 199; D13/101, 110, 112, 114,
D13/115, 118, 122, 180, 184, 199;
D21/528

CPC . F02G 1/04; F02G 1/043; F02G 1/044; F02G
1/057; F01K 23/06; F01K 23/10; F01B
29/10; F28D 7/06

See application file for complete search history.

(56) **References Cited**

U.S. PATENT DOCUMENTS

6,253,550	B1 *	7/2001	Langenfeld	F01B 9/02	60/518
8,793,992	B2	8/2014	Schamp et al.			
D904,303	S *	12/2020	Xu	D13/114	
D906,244	S *	12/2020	Xu	D13/114	
2003/0167766	A1 *	9/2003	Koscsisek	F02G 1/06	60/517

2008/0295684	A1 *	12/2008	Lin	F02G 1/044	92/186
2009/0272111	A1 *	11/2009	Abe	F02G 1/045	60/522
2011/0107757	A1 *	5/2011	Engelhart	F02G 1/053	60/526

OTHER PUBLICATIONS

Engine mockup (Stirling) CN 305982241 Chen Fanghai Nov. 8, 2020 (Year: 2020).*

* cited by examiner

Primary Examiner — Ania Aman

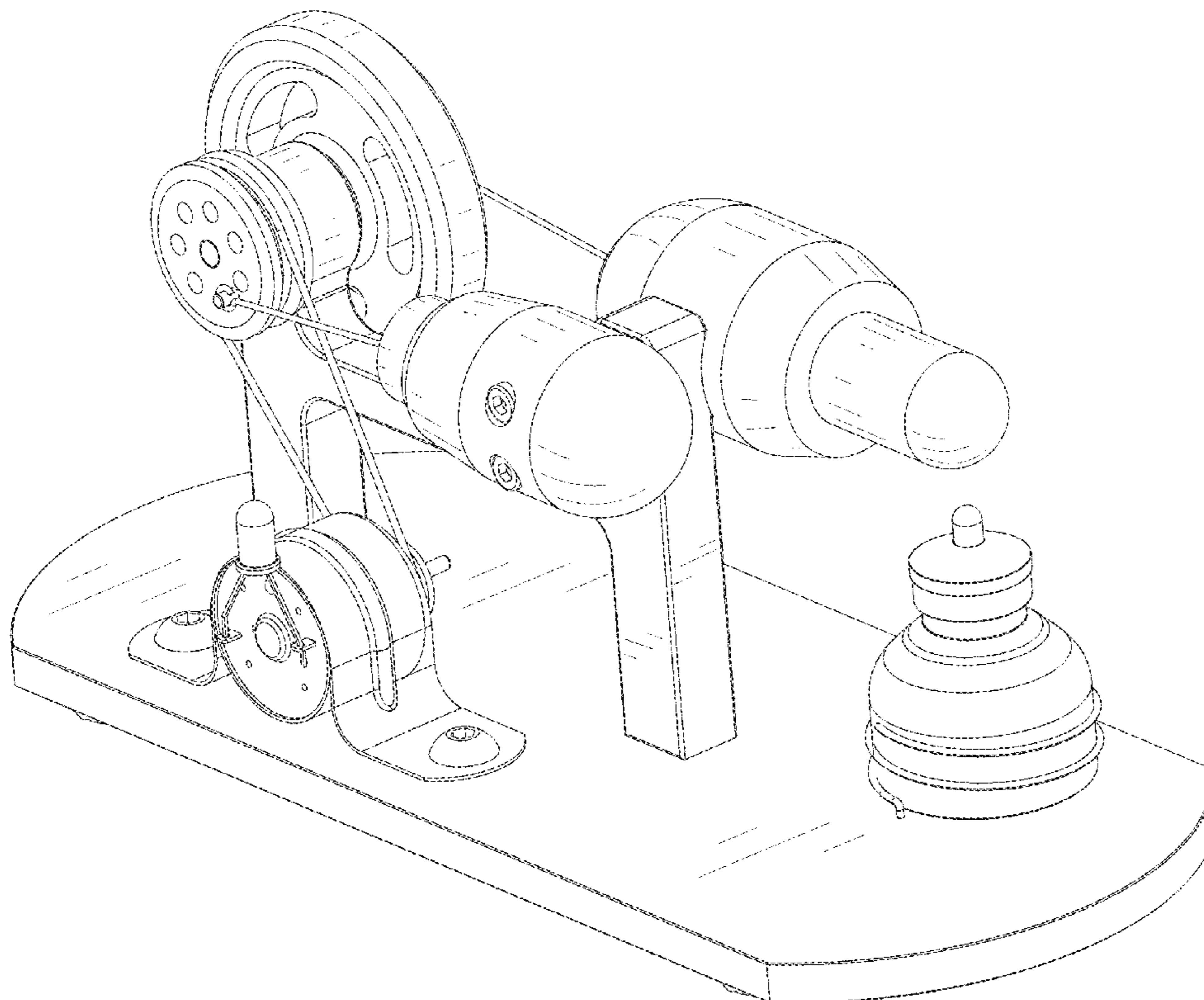
(57) **CLAIM**

The ornamental design for a stirling engine, as shown and described.

DESCRIPTION

FIG. 1 is a front, top perspective view of the stirling engine showing my new design;
 FIG. 2 is a rear, top perspective view thereof;
 FIG. 3 is a front, bottom perspective view thereof;
 FIG. 4 is a front elevational view thereof;
 FIG. 5 is a rear elevational view thereof;
 FIG. 6 is a left side elevational view thereof;
 FIG. 7 is a right side elevational view thereof;
 FIG. 8 is a top plan view thereof; and,
 FIG. 9 is a bottom plan view thereof.

1 Claim, 9 Drawing Sheets



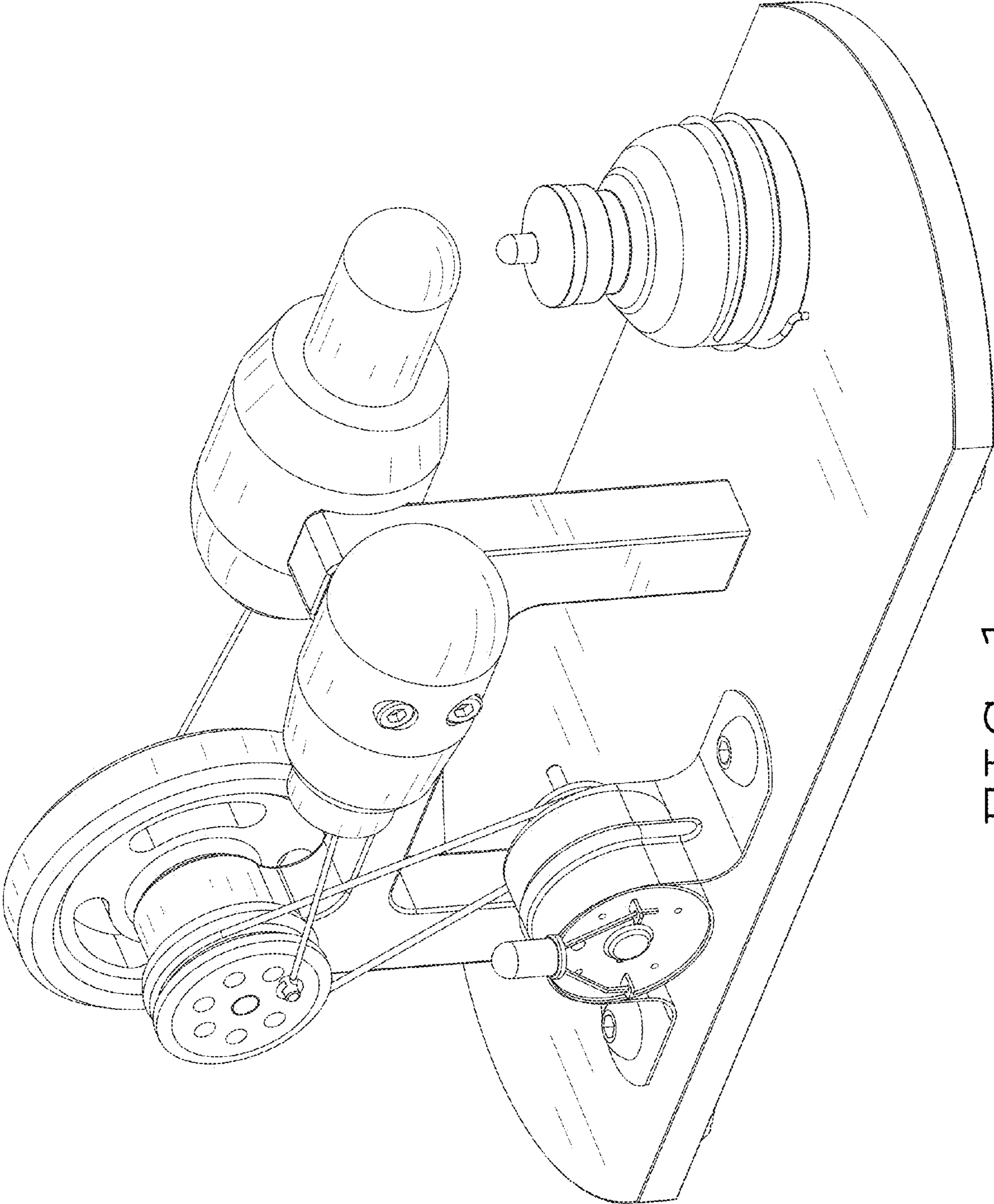


FIG. 1

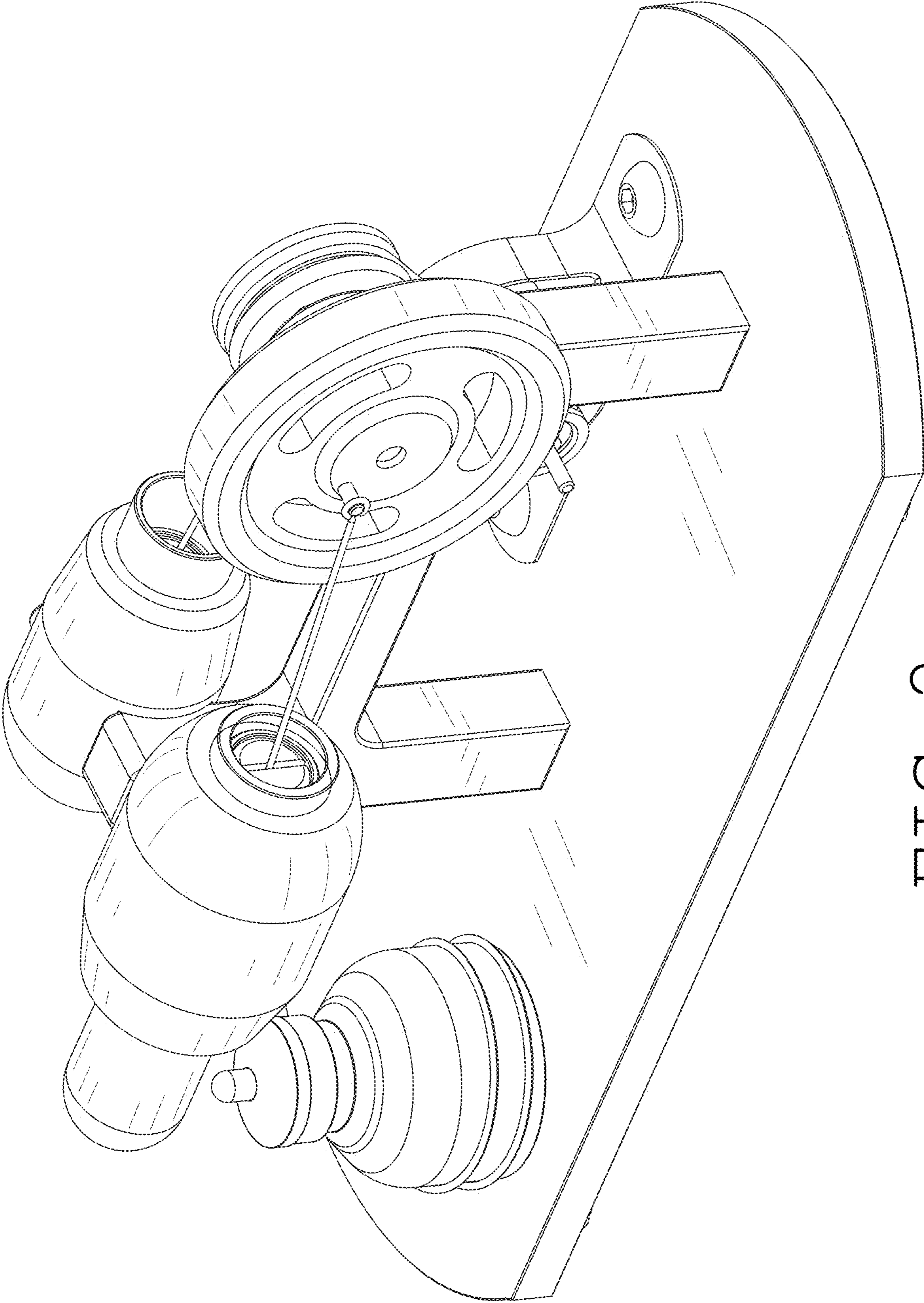


FIG. 2

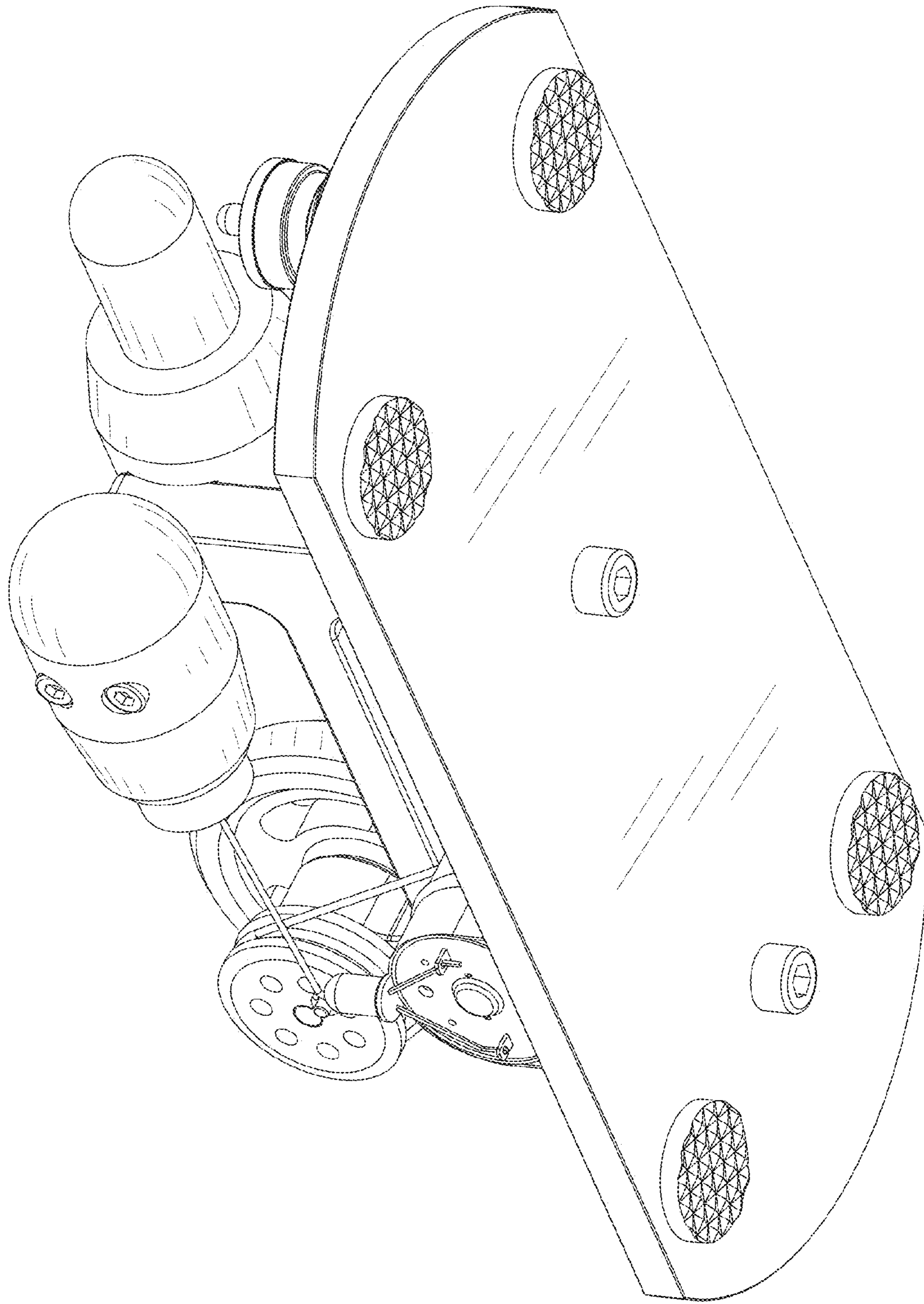


FIG. 3

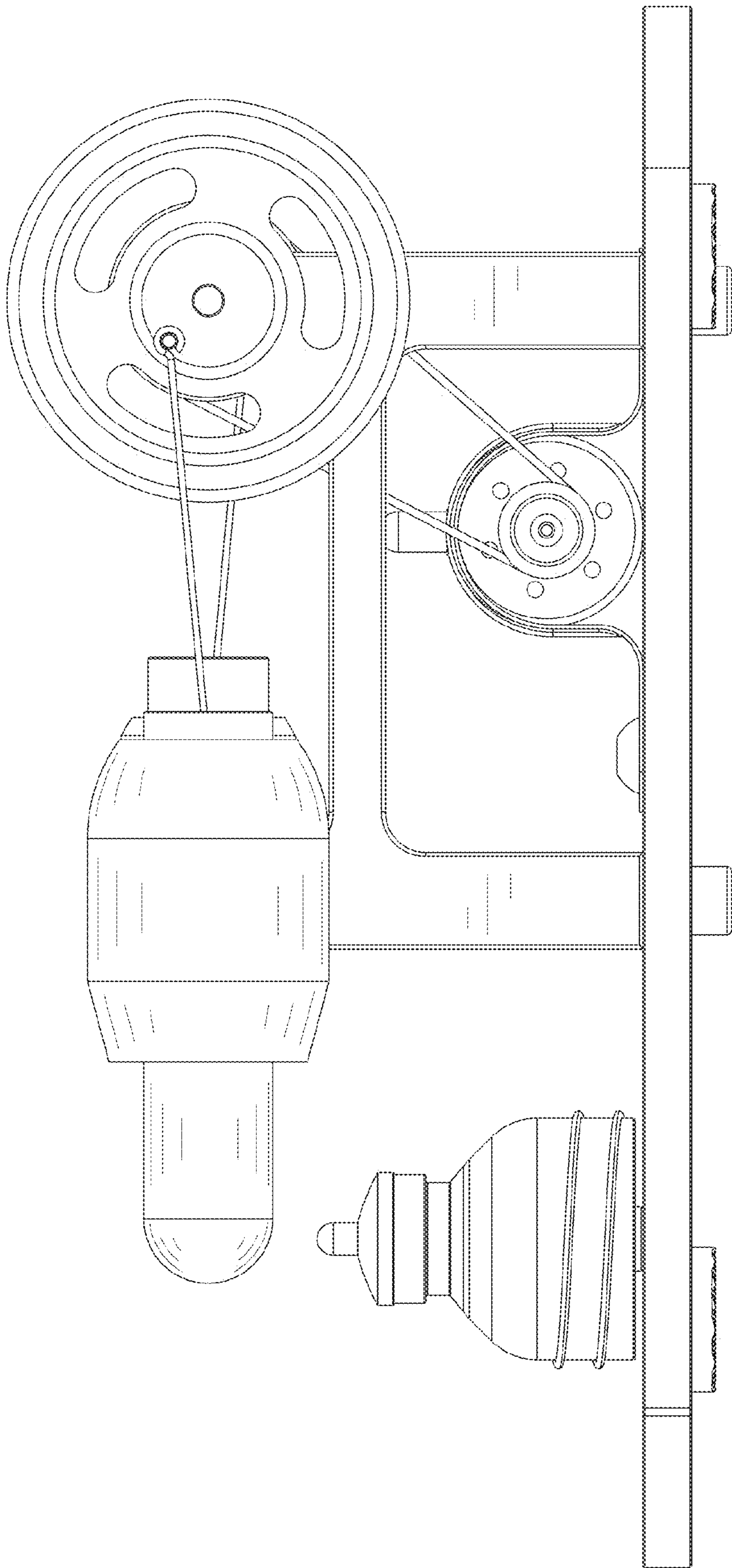


FIG. 4

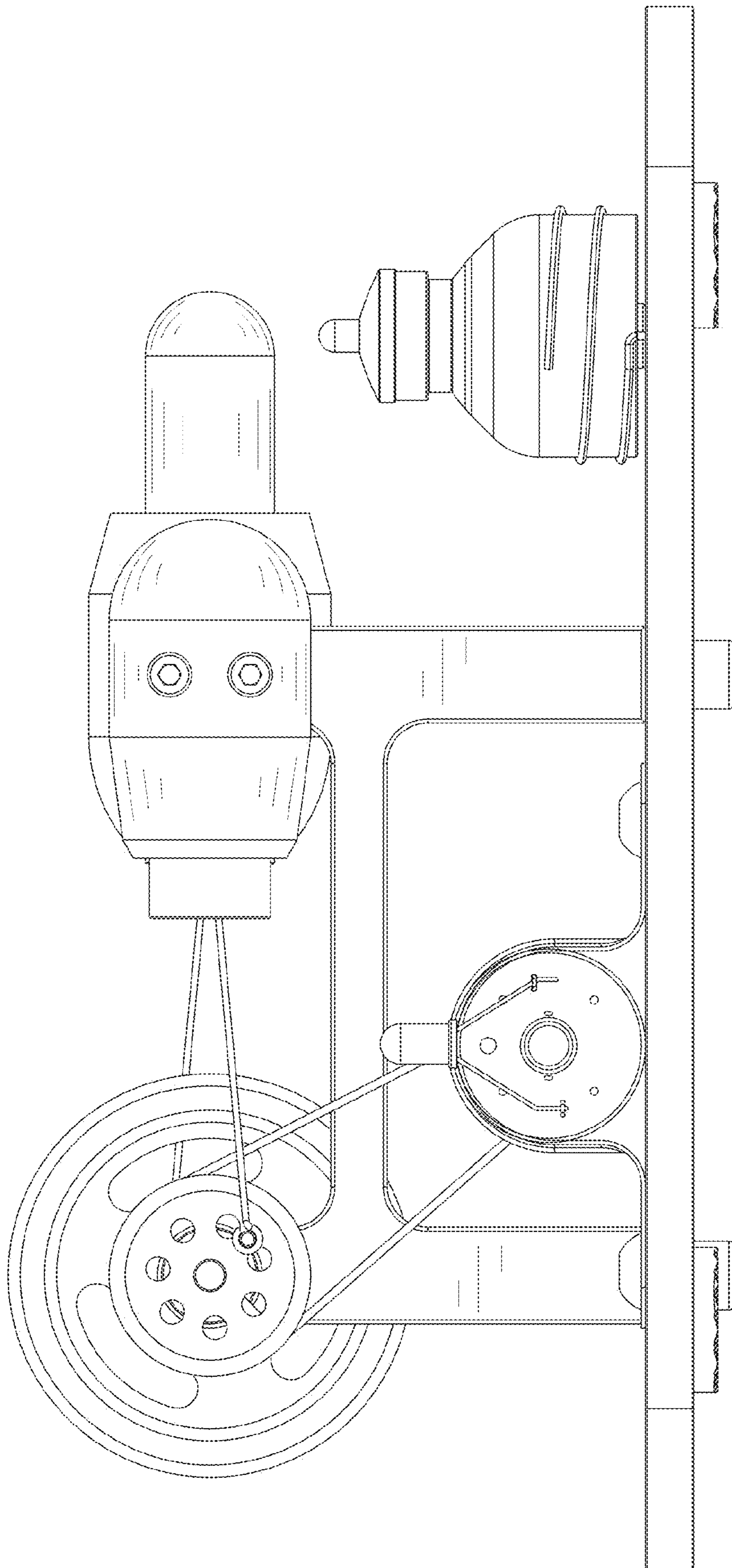


FIG. 5

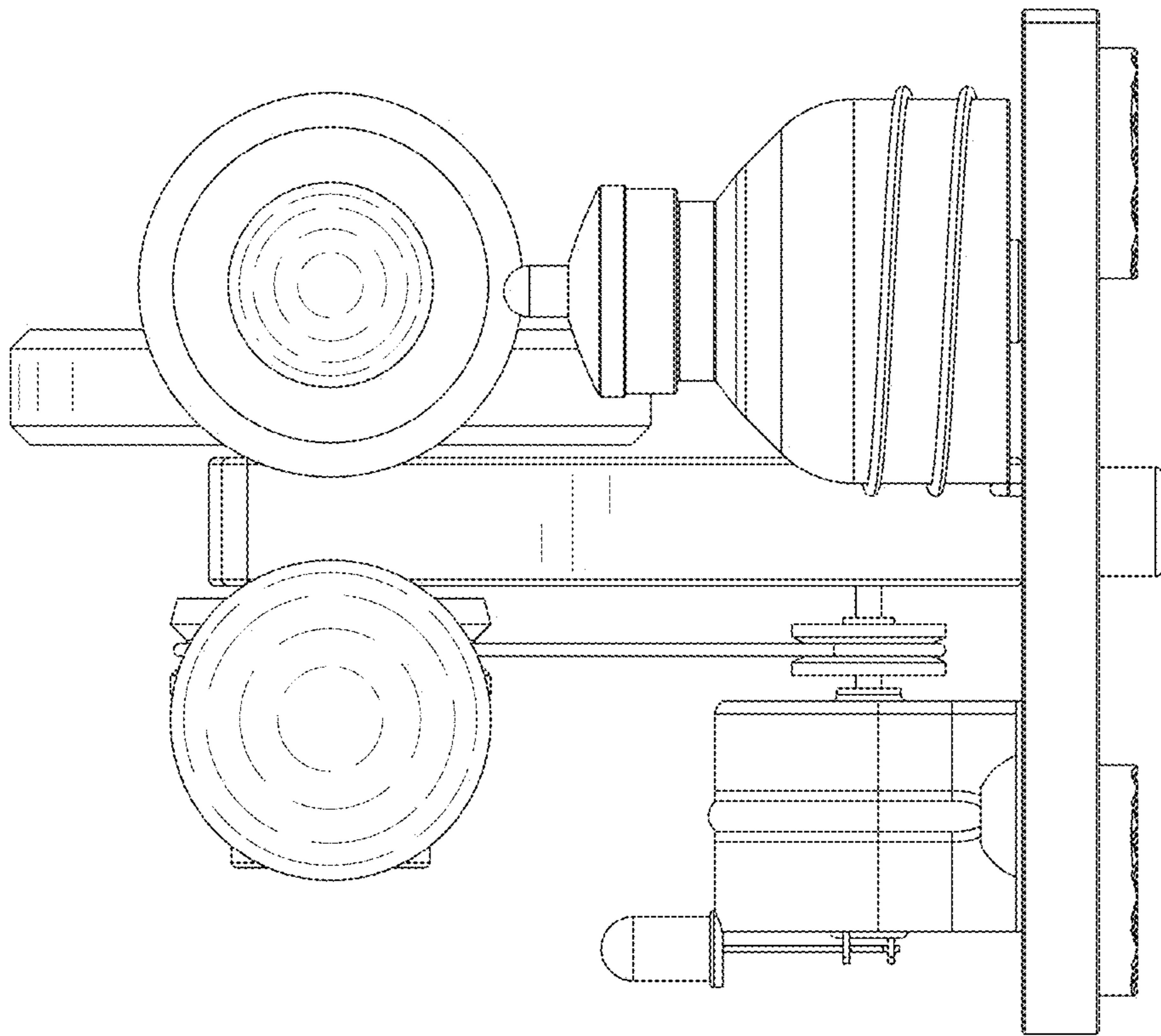


FIG. 6

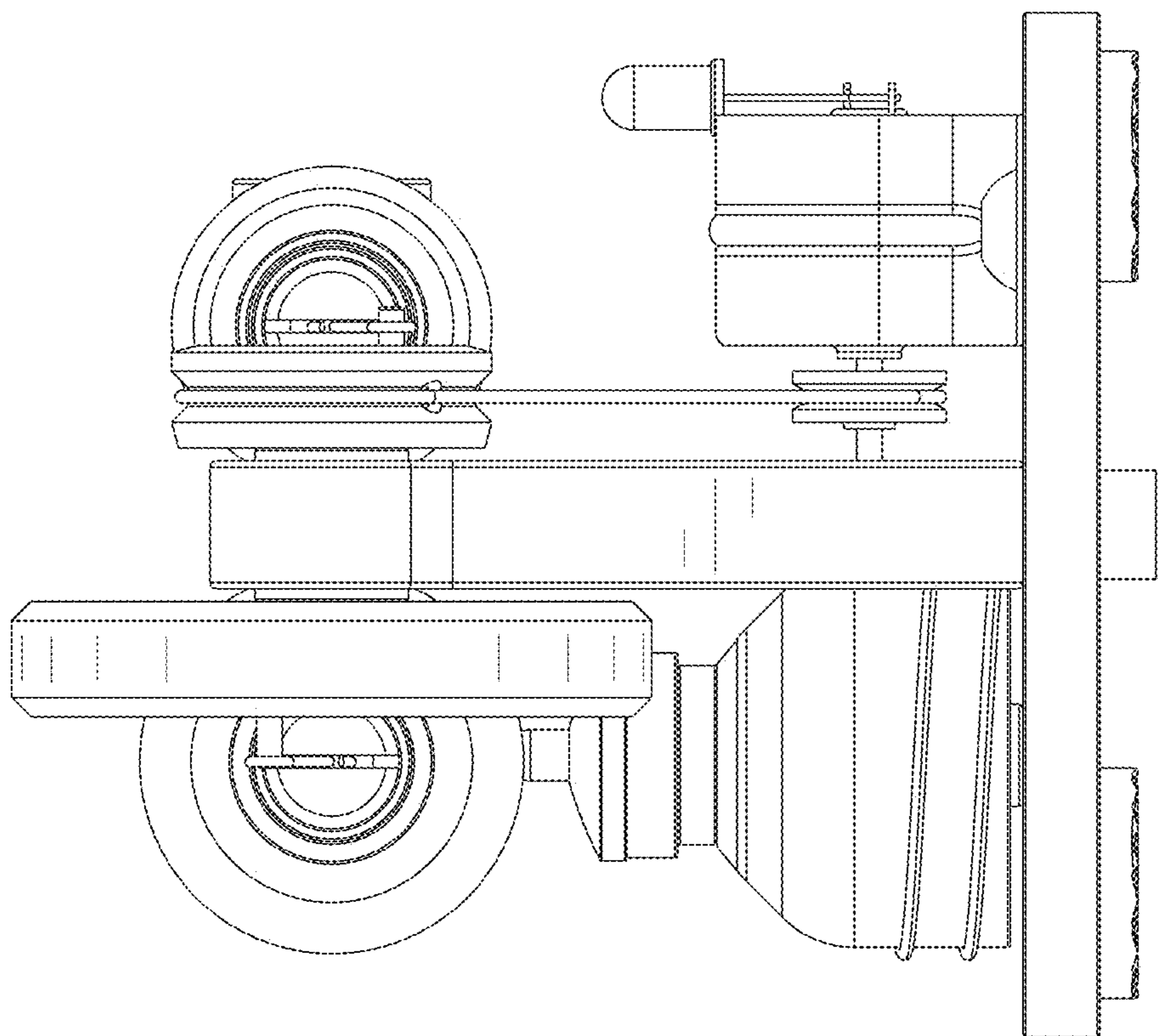


FIG. 7

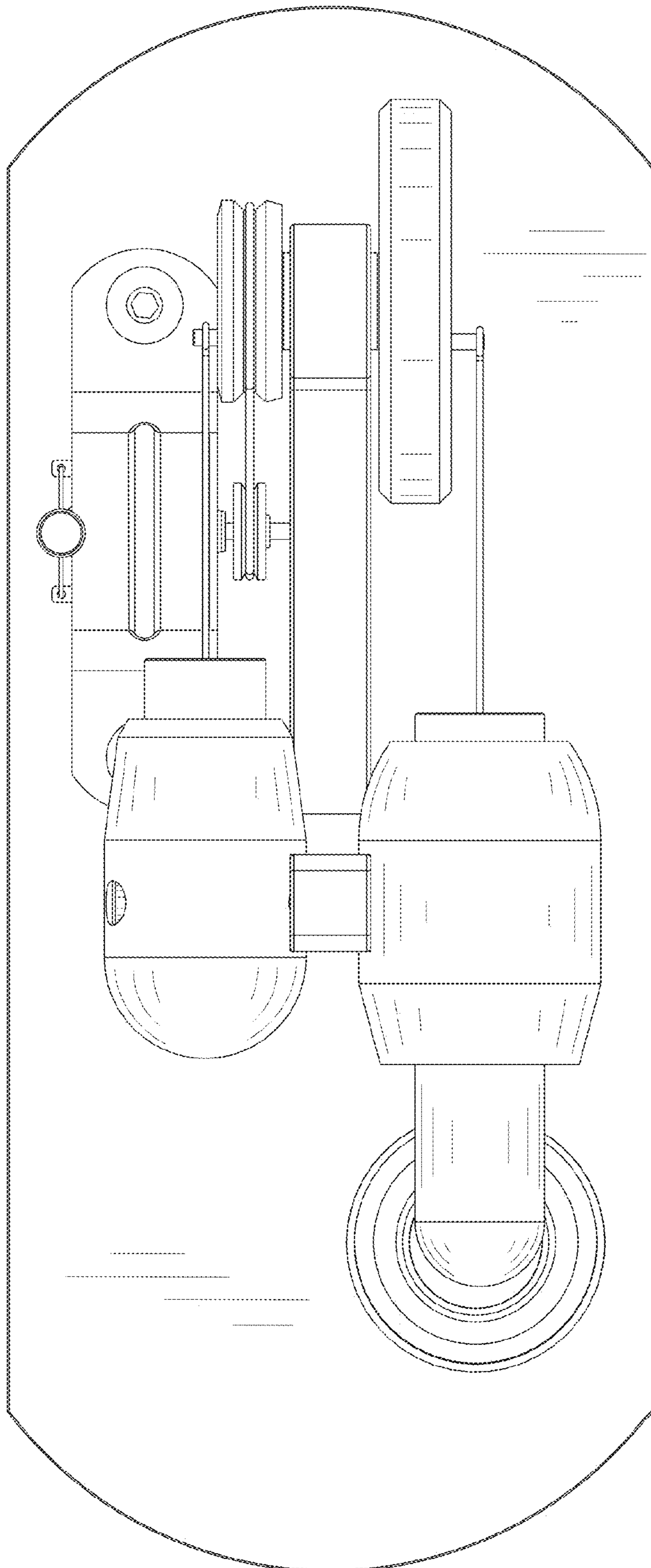


FIG. 8

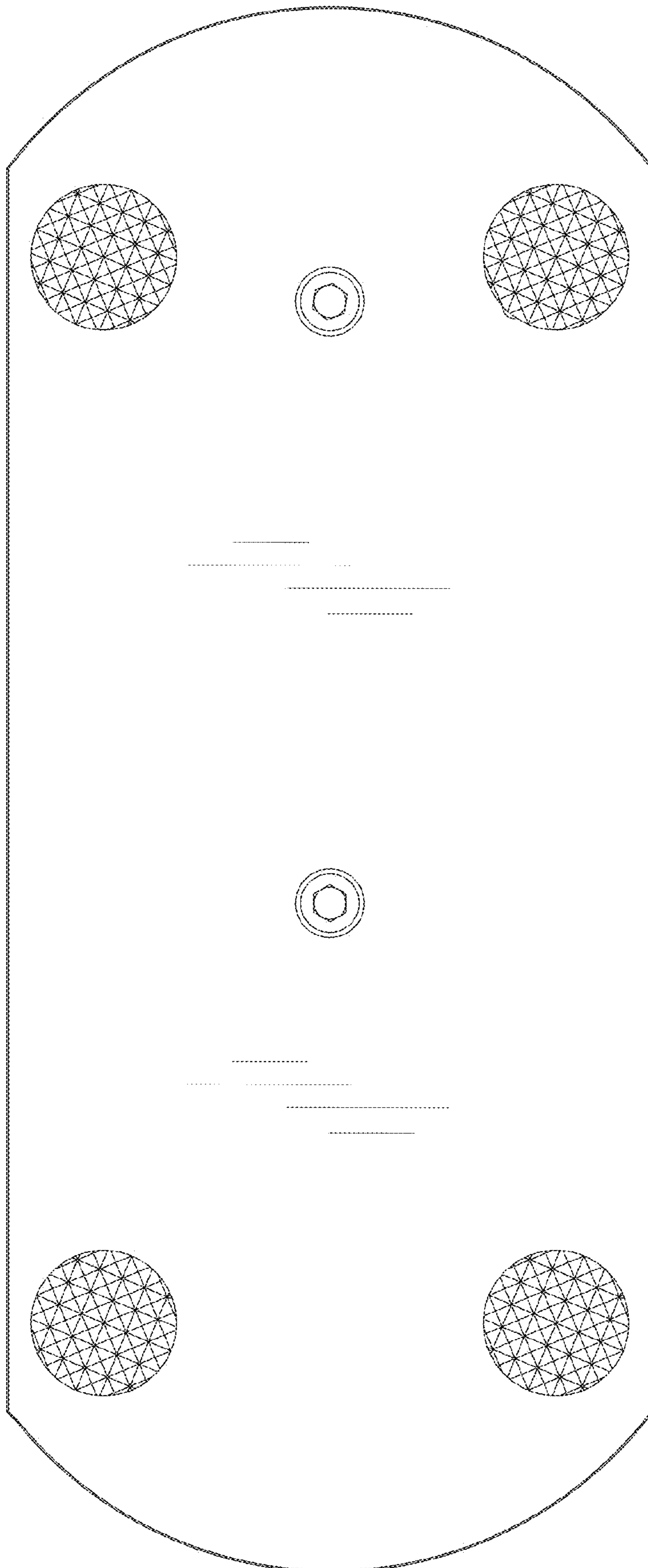


FIG. 9