



US00D923571S

(12) **United States Design Patent**
Del Aguila et al.

(10) **Patent No.:** **US D923,571 S**

(45) **Date of Patent:** **** Jun. 29, 2021**

(54) **HYDRAULIC PUMP**

(71) Applicant: **LIEBHERR MACHINES BULLE SA, Bulle (CH)**

(72) Inventors: **Marko Del Aguila, Bern (CH); Didier Angeloz, Le Paquier (CH); Jonas Lorenz, Memmingen (DE)**

(73) Assignee: **LIEBHERR MACHINES BULLE SA, Bulle (CH)**

(**) Term: **15 Years**

(21) Appl. No.: **29/708,326**

(22) Filed: **Oct. 4, 2019**

(30) **Foreign Application Priority Data**

Apr. 5, 2019 (EP) 006370334

(51) **LOC (13) Cl.** **13-01**

(52) **U.S. Cl.**
USPC **D13/112; D15/7**

(58) **Field of Classification Search**
USPC D13/101, 112, 113, 114, 118, 122, 184,
D13/199; D15/5, 6, 7, 8, 9; D23/231,
D23/225, 232

CPC F02M 37/04; F02M 37/14; F04B 1/005;
F04B 1/0417; F04B 9/045; B60T 8/4022
See application file for complete search history.

(56) **References Cited**

U.S. PATENT DOCUMENTS

D283,224 S * 4/1986 Lametto D15/7
D294,266 S * 2/1988 Dudeck D15/7

D466,522 S * 12/2002 Huang D15/7
6,616,420 B2 * 9/2003 Alaze B60T 8/4022
417/273
D528,982 S * 9/2006 Reverberi D13/122
D609,595 S * 2/2010 Soderstrom D15/7
D667,372 S * 9/2012 Lannoch D13/112
D713,860 S * 9/2014 Pedrollo D15/7
D778,836 S * 2/2017 Schieck D13/112
D854,498 S * 7/2019 Ebner D13/112

OTHER PUBLICATIONS

Aguila, M. et al., "LH30," U.S. Appl. No. 29/708,325, filed Oct. 4, 2019, 9 pages.

* cited by examiner

Primary Examiner — Derrick E Holland

(74) *Attorney, Agent, or Firm* — McCoy Russell LLP

(57) **CLAIM**

The ornamental design for a hydraulic pump, as shown and described.

DESCRIPTION

FIG. 1 is a front view of a hydraulic pump according to the claimed design.

FIG. 2 is a bottom view of the hydraulic pump.

FIG. 3 is a top view of the hydraulic pump.

FIG. 4 is a rear view of the hydraulic pump.

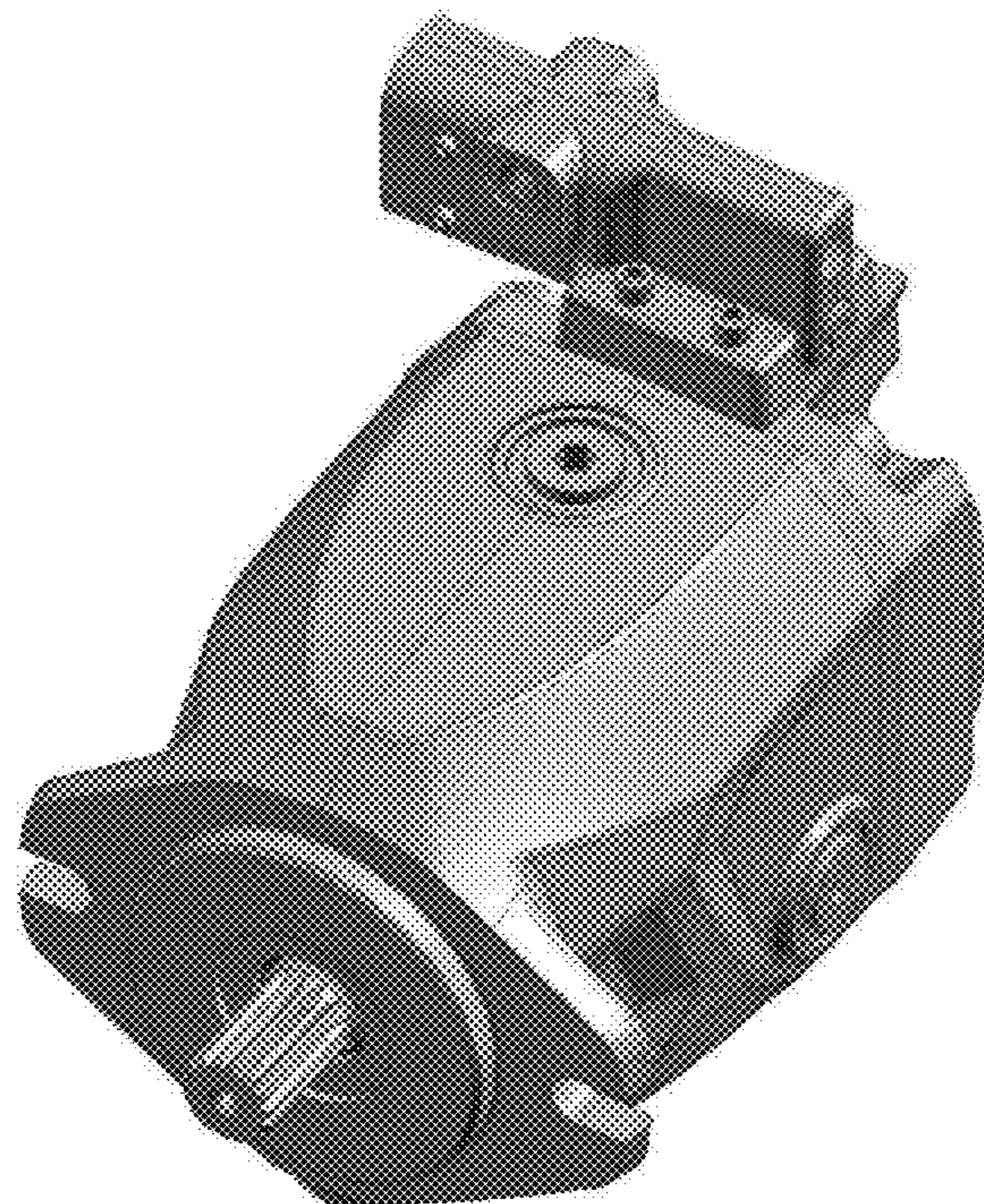
FIG. 5 is a left side view of the hydraulic pump.

FIG. 6 is a right side view of the hydraulic pump; and,

FIG. 7 is a top-left-front perspective view of the hydraulic pump.

The broken lines in the drawings enclose portions of the hydraulic pump that form no part of the claimed design.

1 Claim, 7 Drawing Sheets



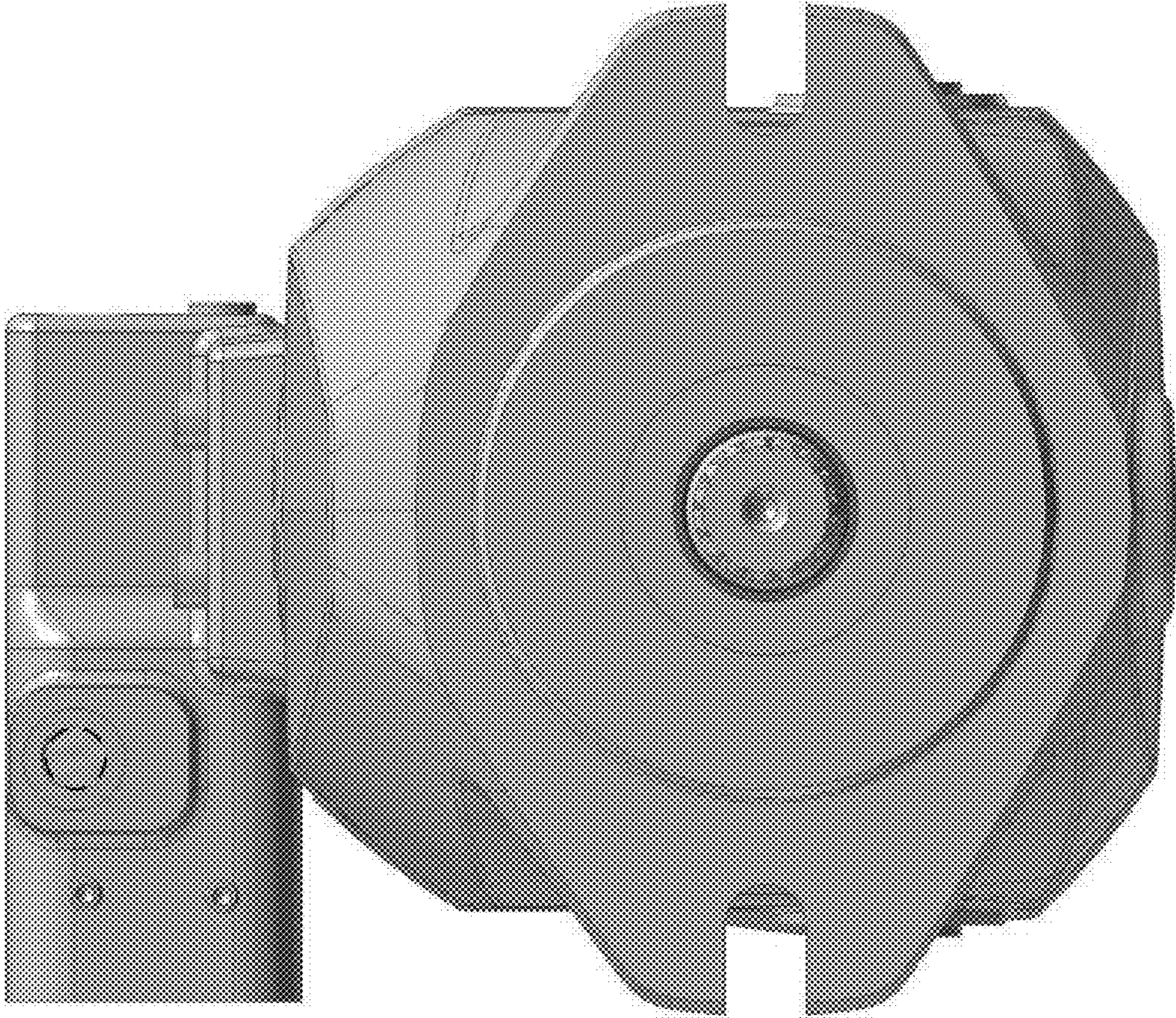


FIG. 1

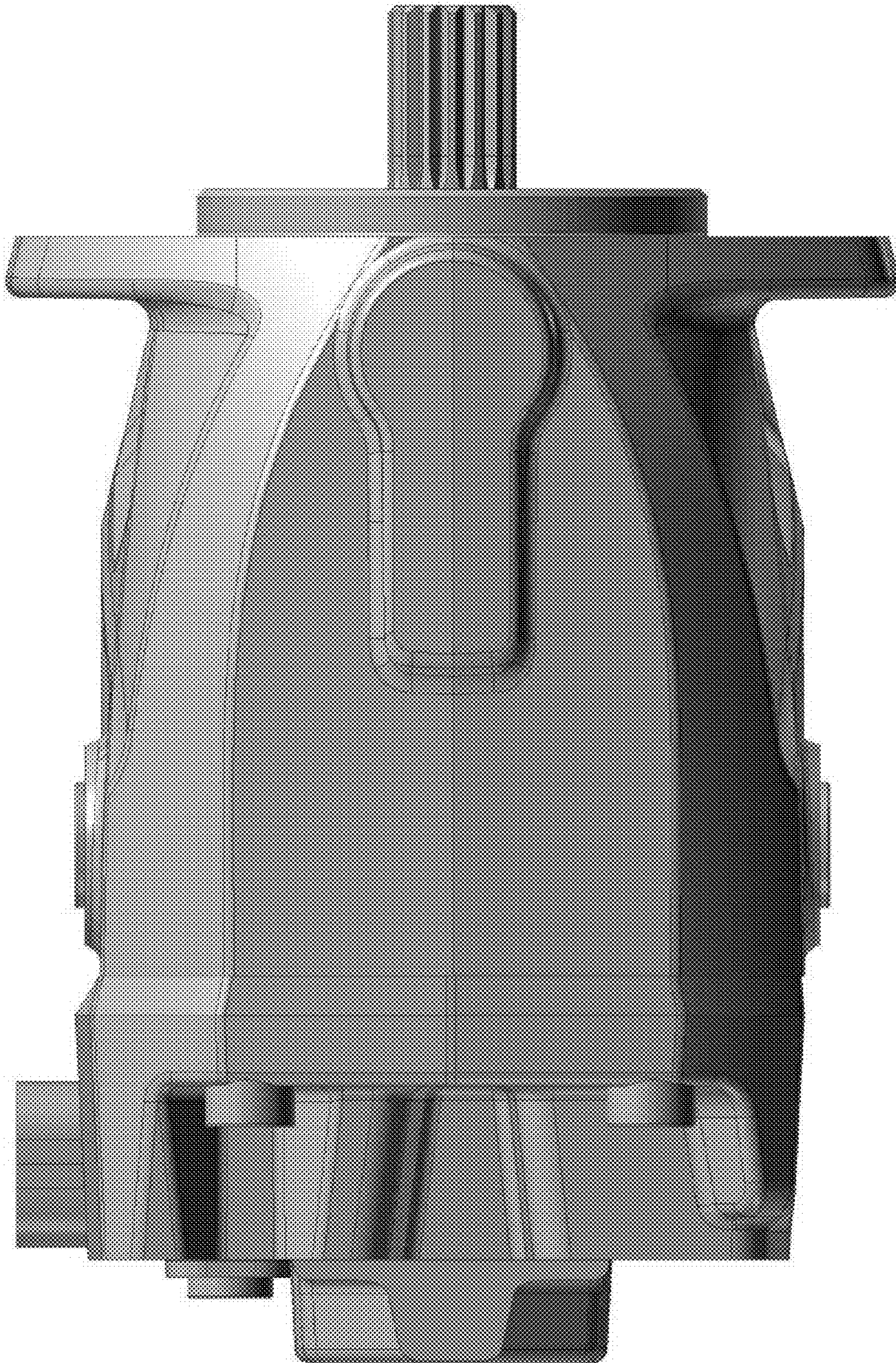


FIG. 2

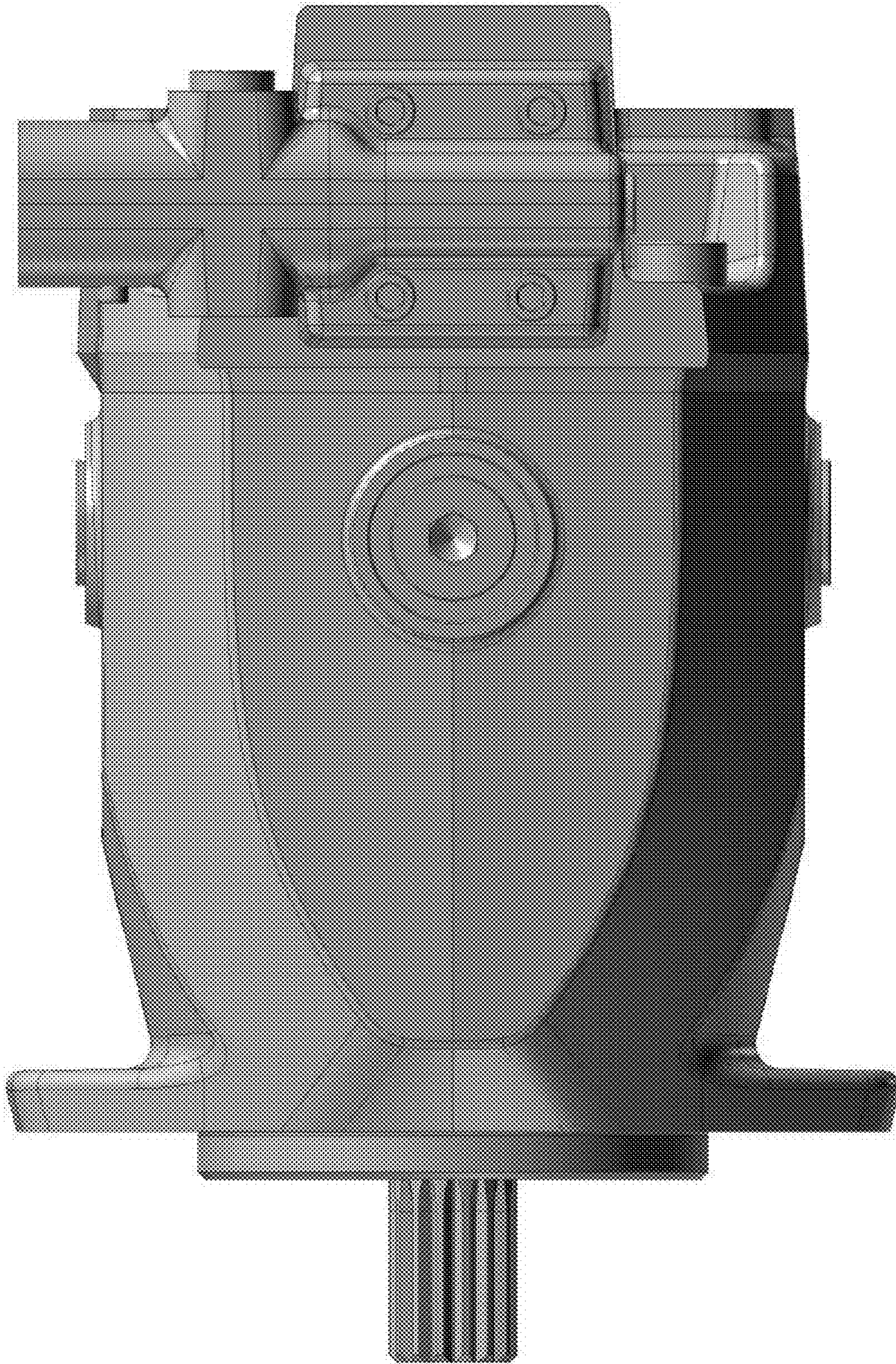


FIG. 3

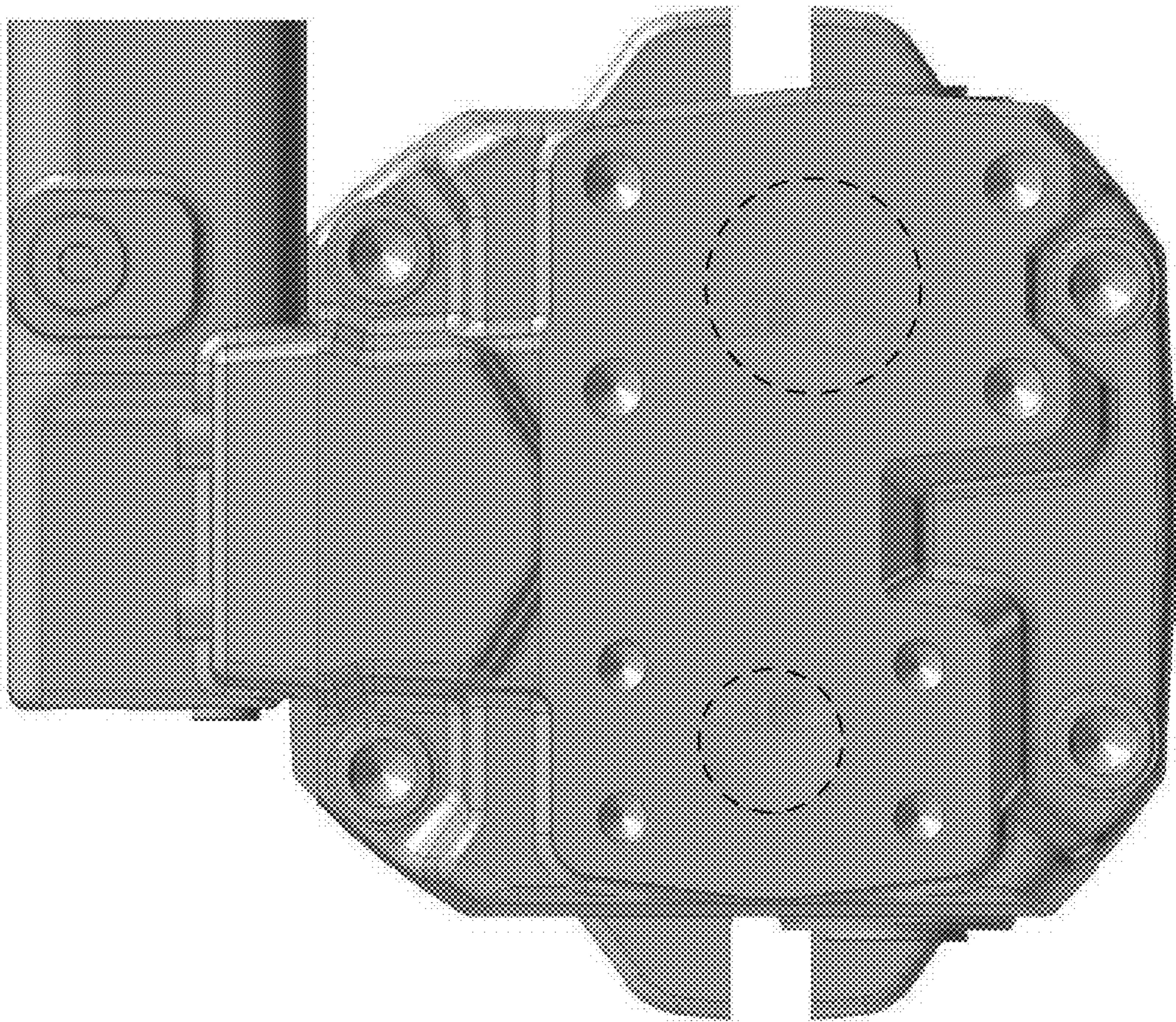


FIG. 4

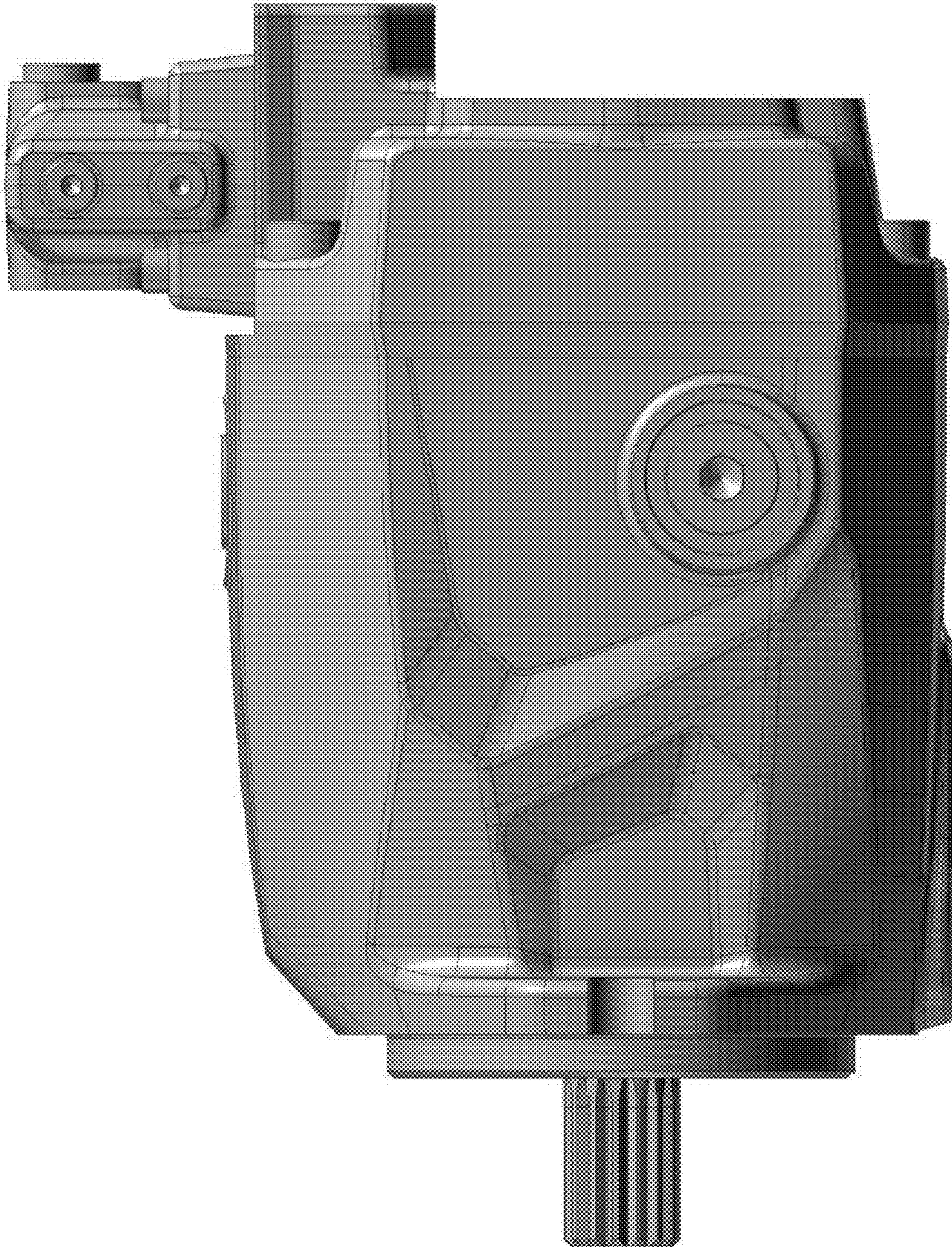


FIG. 5

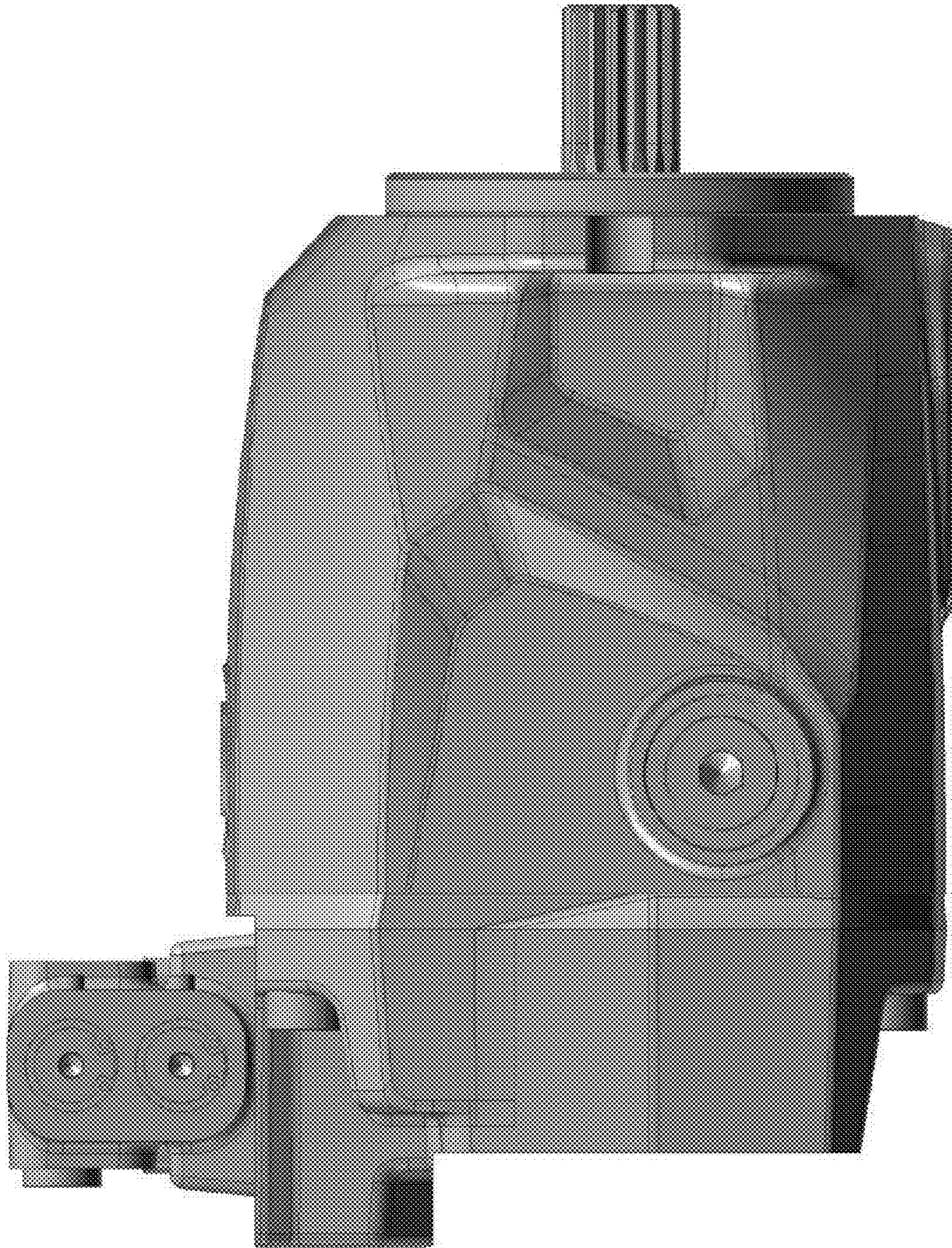


FIG. 6

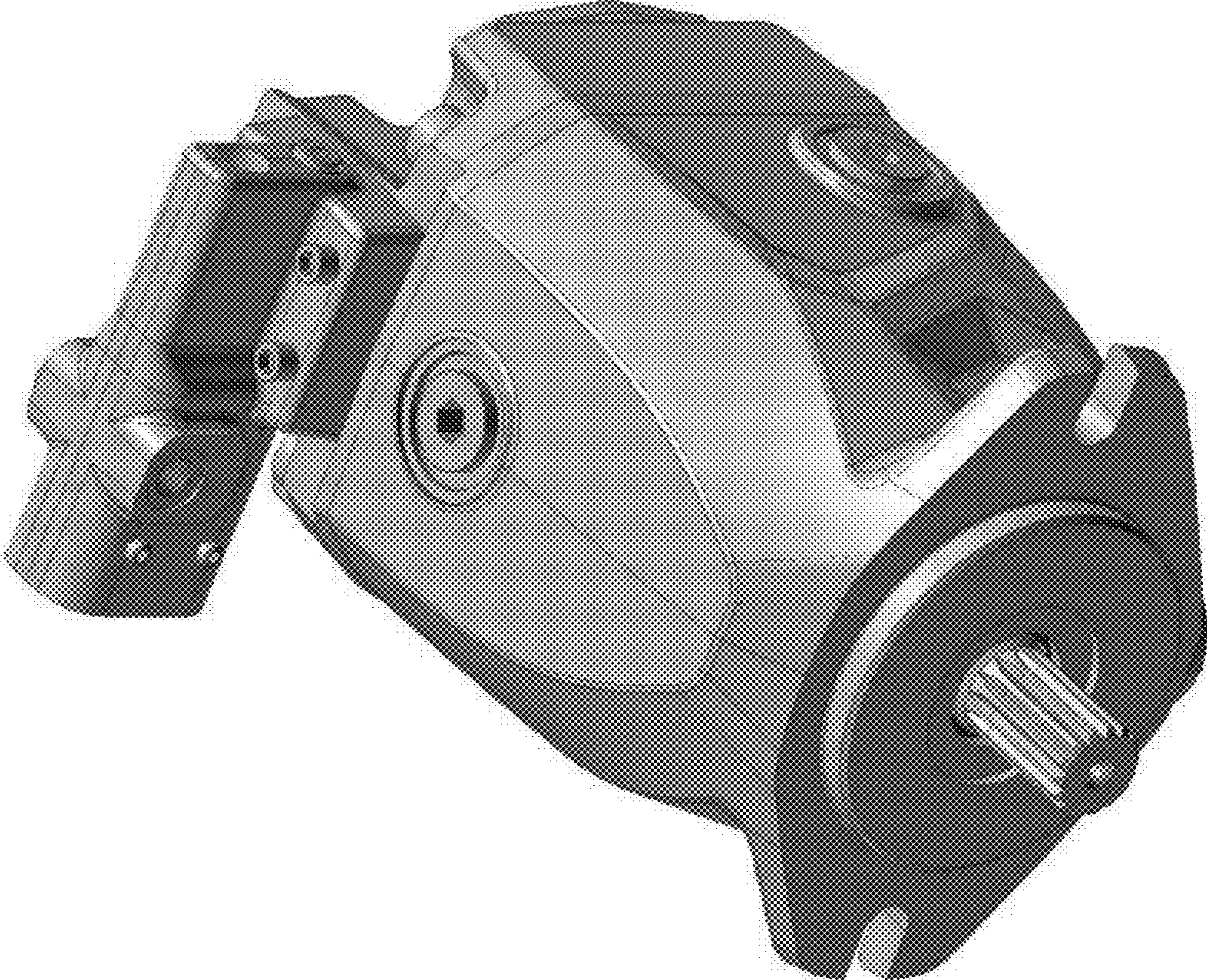


FIG. 7