



US00D923570S

(12) **United States Design Patent** (10) **Patent No.:** **US D923,570 S**
Miyazaki et al. (45) **Date of Patent:** **** Jun. 29, 2021**

(54) **ELECTRIC RETRACTING UNIT FOR
ELECTRIC RETRACTABLE DOOR MIRROR
FOR VEHICLE**

Primary Examiner — Catherine S Posthauer
Assistant Examiner — Alison M Ofstun
(74) *Attorney, Agent, or Firm* — Greenblum & Bernstein,
P.L.C.

(71) Applicant: **MURAKAMI CORPORATION,**
Shizuoka (JP)

(72) Inventors: **Takayuki Miyazaki,** Fujieda (JP);
Hiroki Takeuchi, Fujieda (JP);
Yoshihiro Murata, Fujieda (JP); **Kenji
Ichikawa,** Shizuoka (JP)

(57) **CLAIM**

The ornamental design for an electric retracting unit for electric retractable door mirror for vehicle, as shown and described.

(73) Assignee: **MURAKAMI CORPORATION,**
Shizuoka (JP)

(**) Term: **15 Years**

DESCRIPTION

(21) Appl. No.: **29/677,774**

(22) Filed: **Jan. 23, 2019**

(30) **Foreign Application Priority Data**

Jul. 27, 2018 (JP) 2018-016465

(51) **LOC (13) Cl.** **13-01**

(52) **U.S. Cl.**
USPC **D13/112**

(58) **Field of Classification Search**
USPC D13/107, 108, 110–118, 122, 133, 146,
D13/147, 153, 154, 184, 199; D12/187
CPC H01R 13/00; H01R 13/424; H01R 13/64;
H01R 4/00; H01R 11/00; H01R 31/06;
H01R 24/38; H02J 3/38; H02J 7/0042;
(Continued)

FIG. 1 is a front elevational view of an electric retracting unit for electric retractable door mirror for vehicle, showing our new design;
FIG. 2 is a rear elevational view thereof;
FIG. 3 is a top view thereof;
FIG. 4 is a bottom view thereof;
FIG. 5 is a right side elevational view thereof;
FIG. 6 is a left side elevational view thereof;
FIG. 7 is a cross-sectional view taken along line 7-7 of FIG. 1;
FIG. 8 is a cross-sectional view taken along line 8-8 of FIG. 3;
FIG. 9 is a top, left, front perspective view thereof;
FIG. 10 is a bottom, right, front perspective view thereof;
FIG. 11 is a bottom, left, rear perspective view thereof;
FIG. 12 is a top, right, rear perspective view thereof;
FIG. 13 is a bottom view thereof, shown in a position of use; and,
FIG. 14 is a top, right, rear perspective view thereof, shown in an environment of use.
In the drawings, the broken lines illustrate portions of the article that form no part of the claimed design or environmental subject matter that forms no part of the claimed design. In FIG. 14, the broken lines illustrate the environmental subject matter and form no part of the claimed design.

(56) **References Cited**

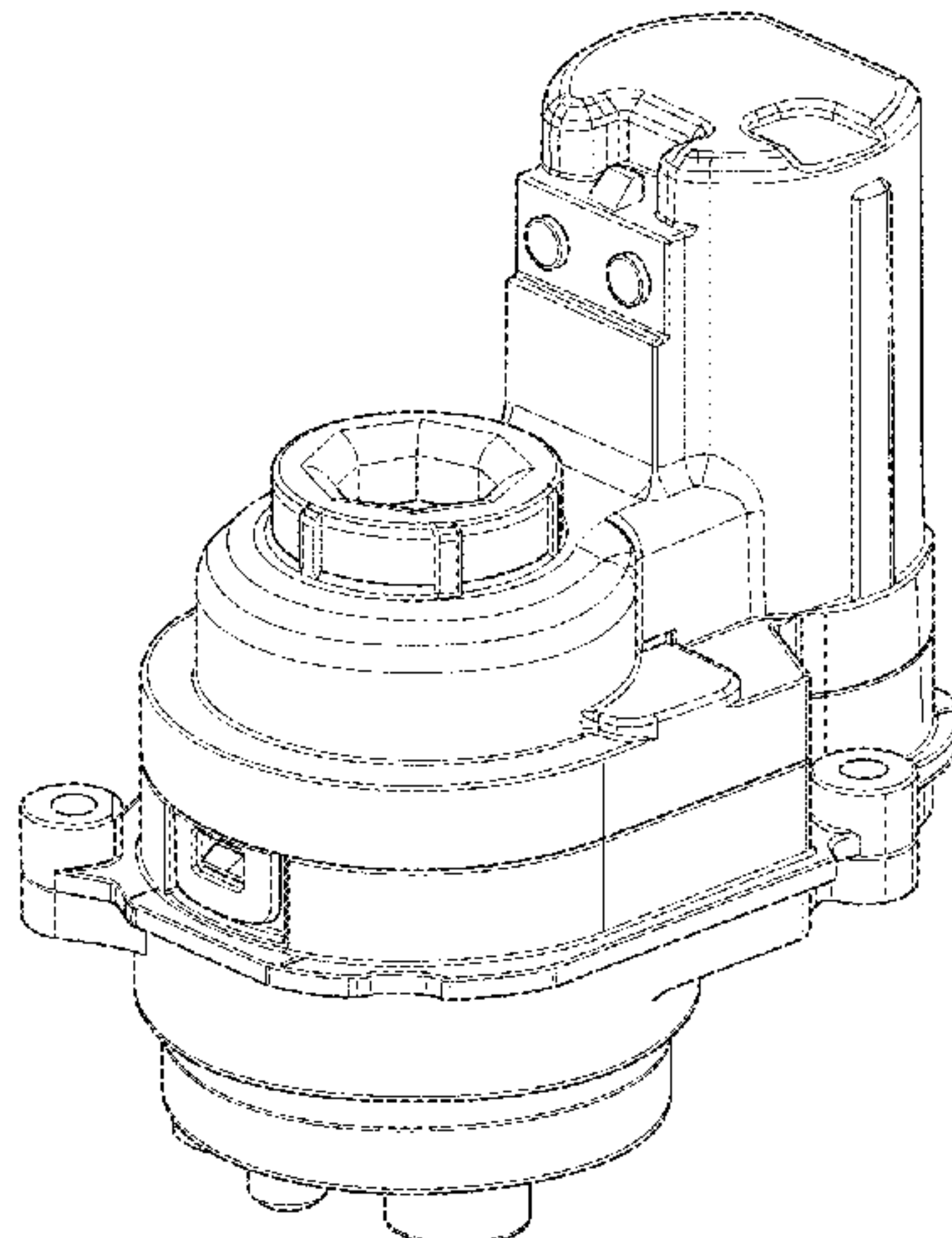
U.S. PATENT DOCUMENTS

D578,064 S * 10/2008 Nimberger D13/114
D618,170 S * 6/2010 Miller D13/114
(Continued)

OTHER PUBLICATIONS

U.S. Appl. No. 29/677,712 to Kenji Ichikawa et al., filed Jan. 23, 2019.

1 Claim, 14 Drawing Sheets



(58) **Field of Classification Search**

CPC H02J 7/0045; H02J 7/0052; B60R 1/00;
 B60R 1/06; B60R 1/072; B60R 1/074

See application file for complete search history.

(56) **References Cited**

U.S. PATENT DOCUMENTS

D618,615	S *	6/2010	Basic	D13/114
7,726,623	B2 *	6/2010	Muller	B60R 1/04 248/475.1
9,244,249	B2 *	1/2016	Kim	B60R 1/12
D770,977	S *	11/2016	Wu	D13/114
10,190,610	B1 *	1/2019	Busscher	F16B 5/125
D880,421	S *	4/2020	Koike	D13/118
D886,697	S *	6/2020	Sugimura	D12/187
D887,331	S *	6/2020	Sugimura	D12/187
2004/0218297	A1 *	11/2004	Sakata	B60R 1/074 359/877
2005/0168853	A1 *	8/2005	Kyoden	B60R 1/07 359/873
2007/0242373	A1 *	10/2007	Yamauchi	B60R 1/06 359/841
2011/0141591	A1 *	6/2011	Iseki	B60R 1/074 359/841
2018/0105112	A1	4/2018	Motomiya et al.		
2018/0105113	A1	4/2018	Motomiya et al.		
2018/0111557	A1	4/2018	Motomiya et al.		
2018/0111558	A1	4/2018	Motomiya et al.		
2018/0281682	A1	10/2018	Ichikawa et al.		
2018/0281683	A1	10/2018	Motomiya et al.		
2018/0287454	A1	10/2018	Motomiya et al.		
2020/0208620	A1 *	7/2020	Chou	F04B 41/00

* cited by examiner

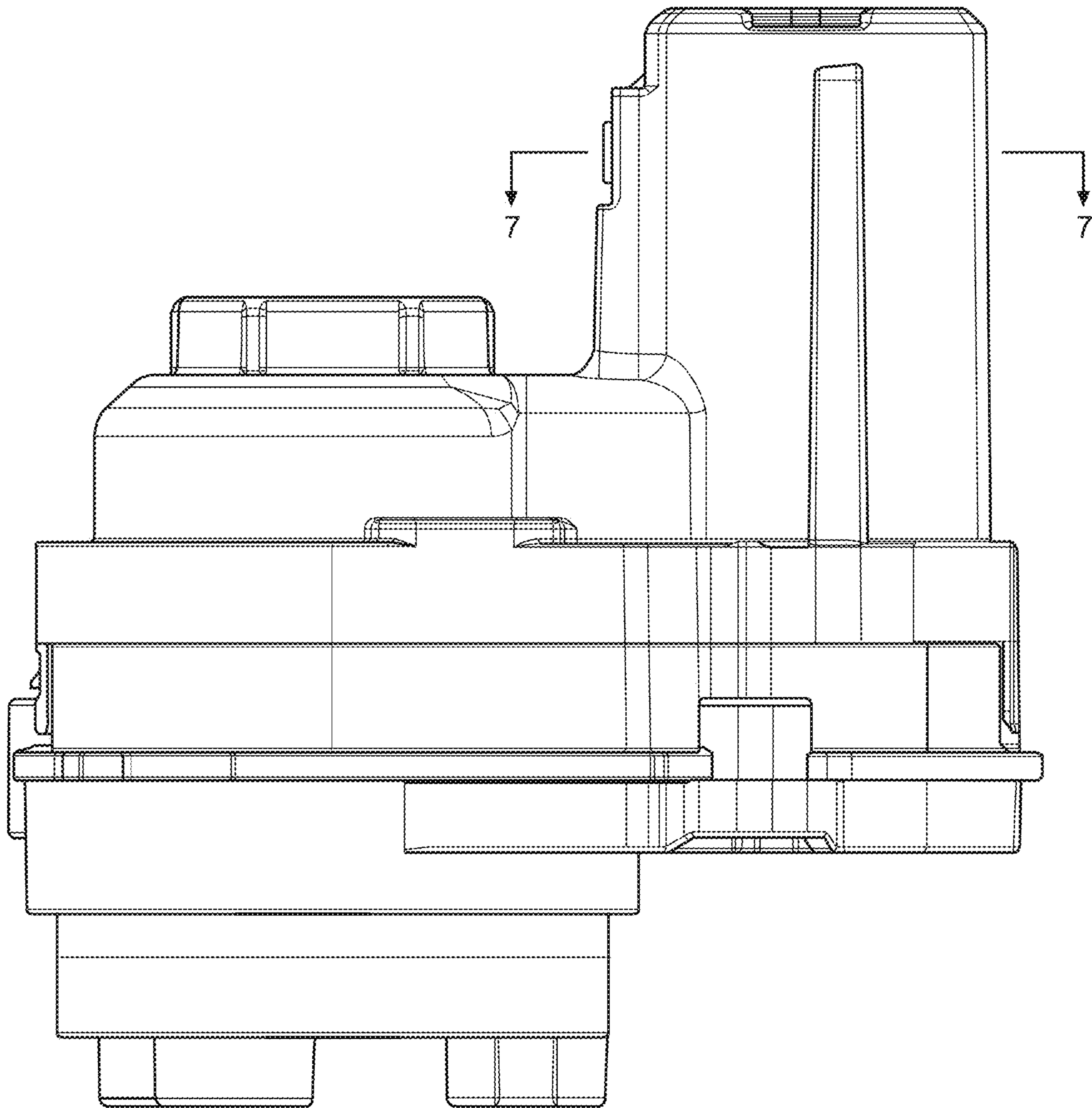


FIG. 1

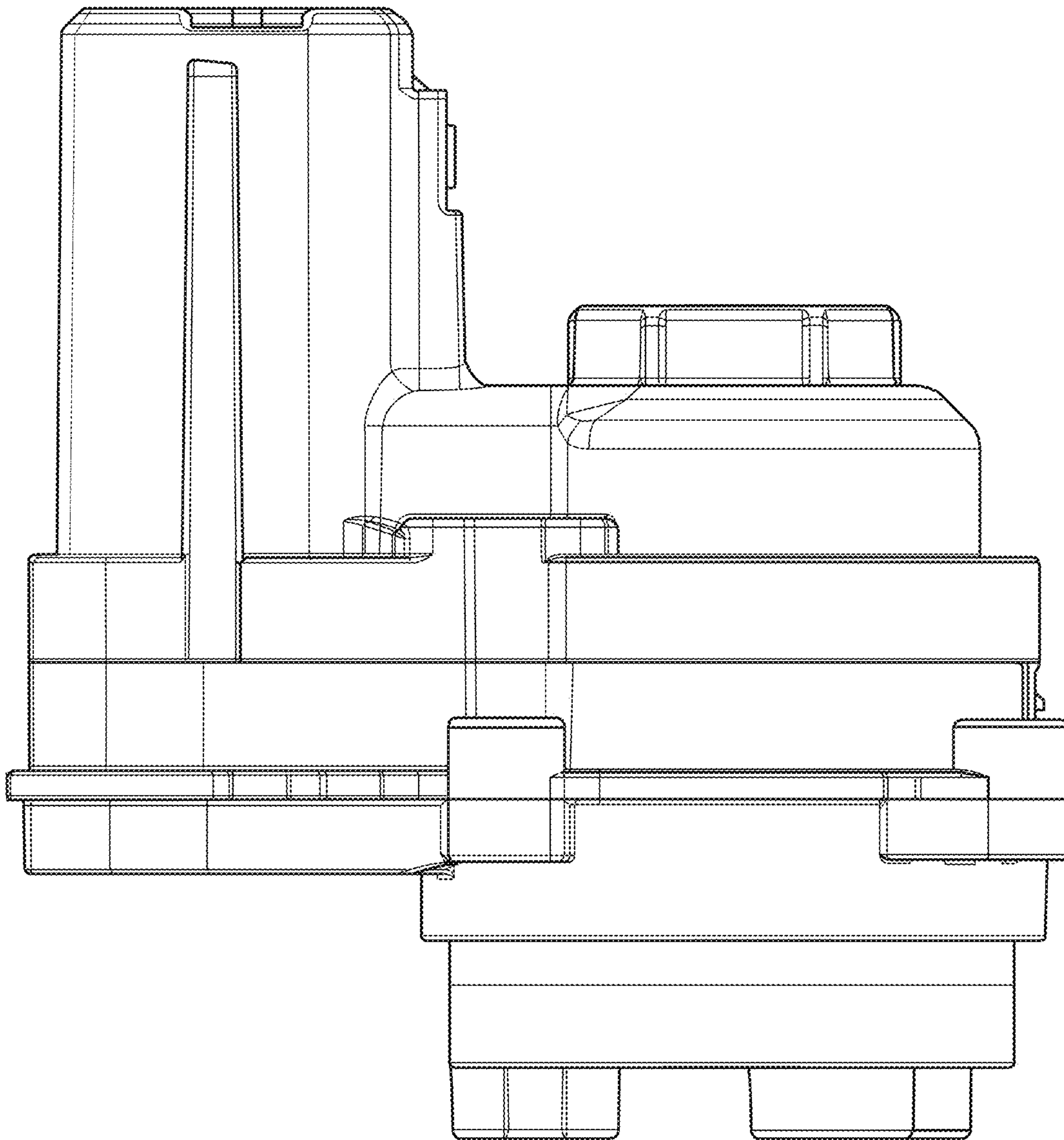


FIG. 2

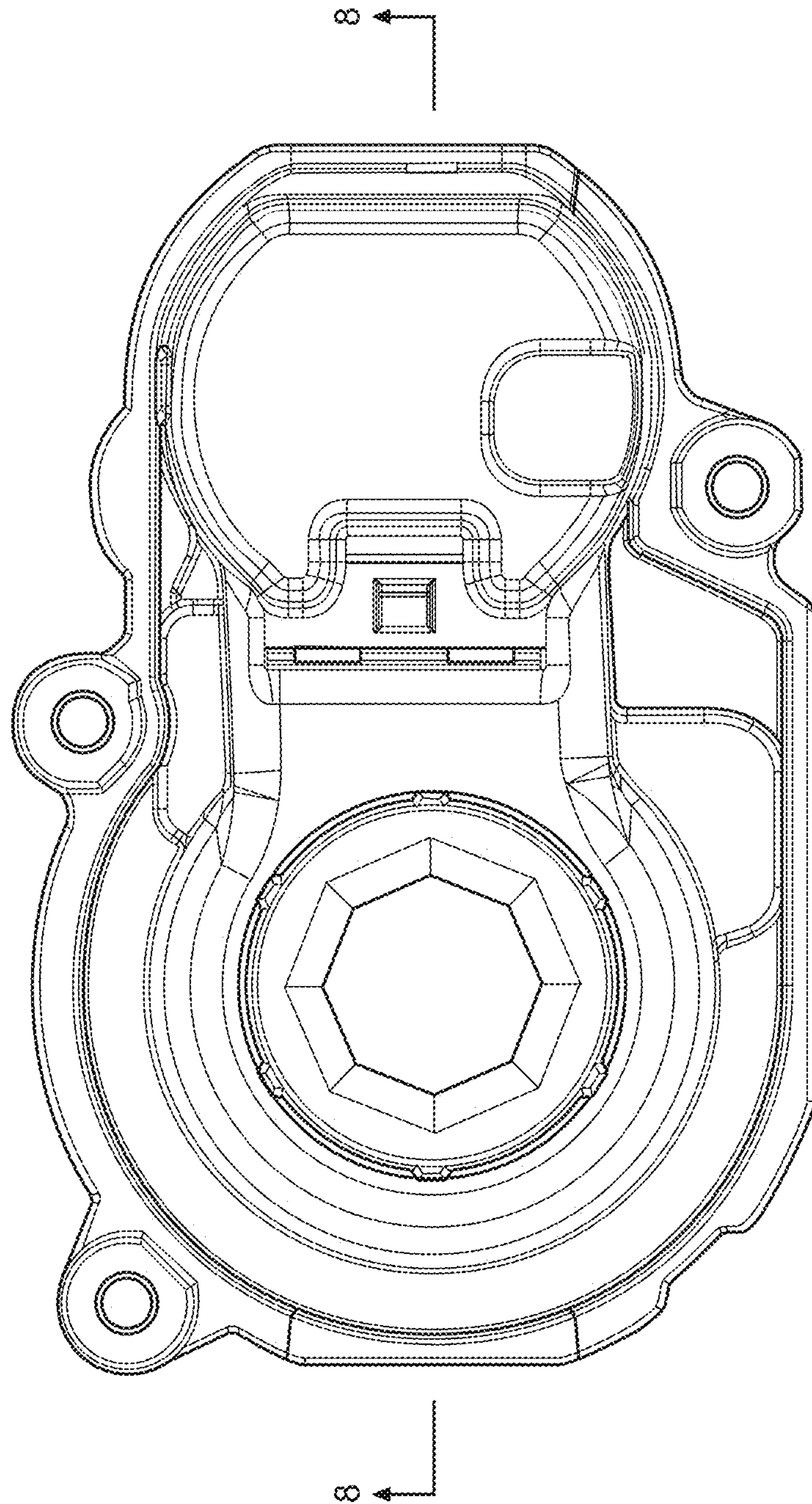


FIG. 3

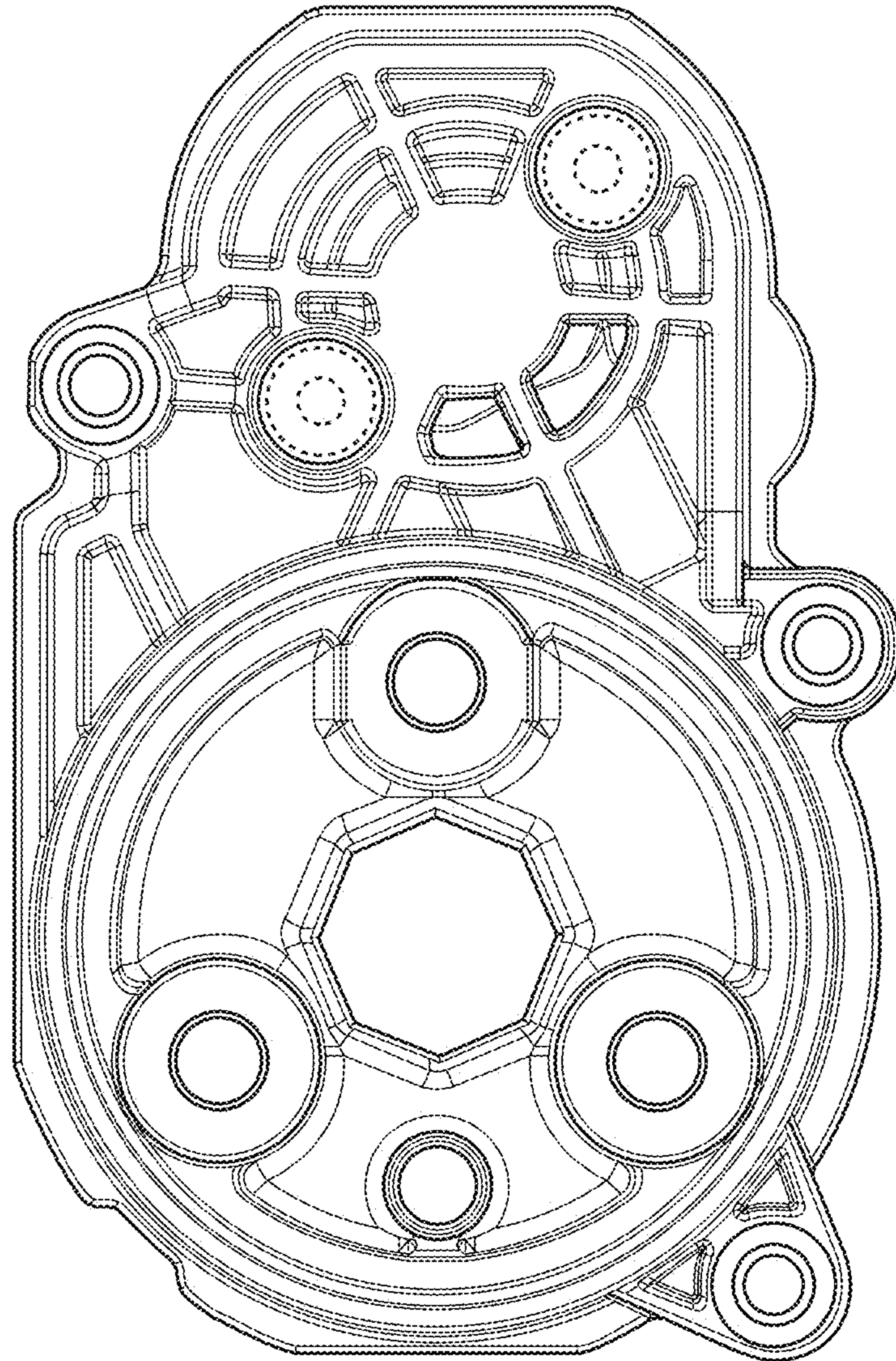


FIG. 4

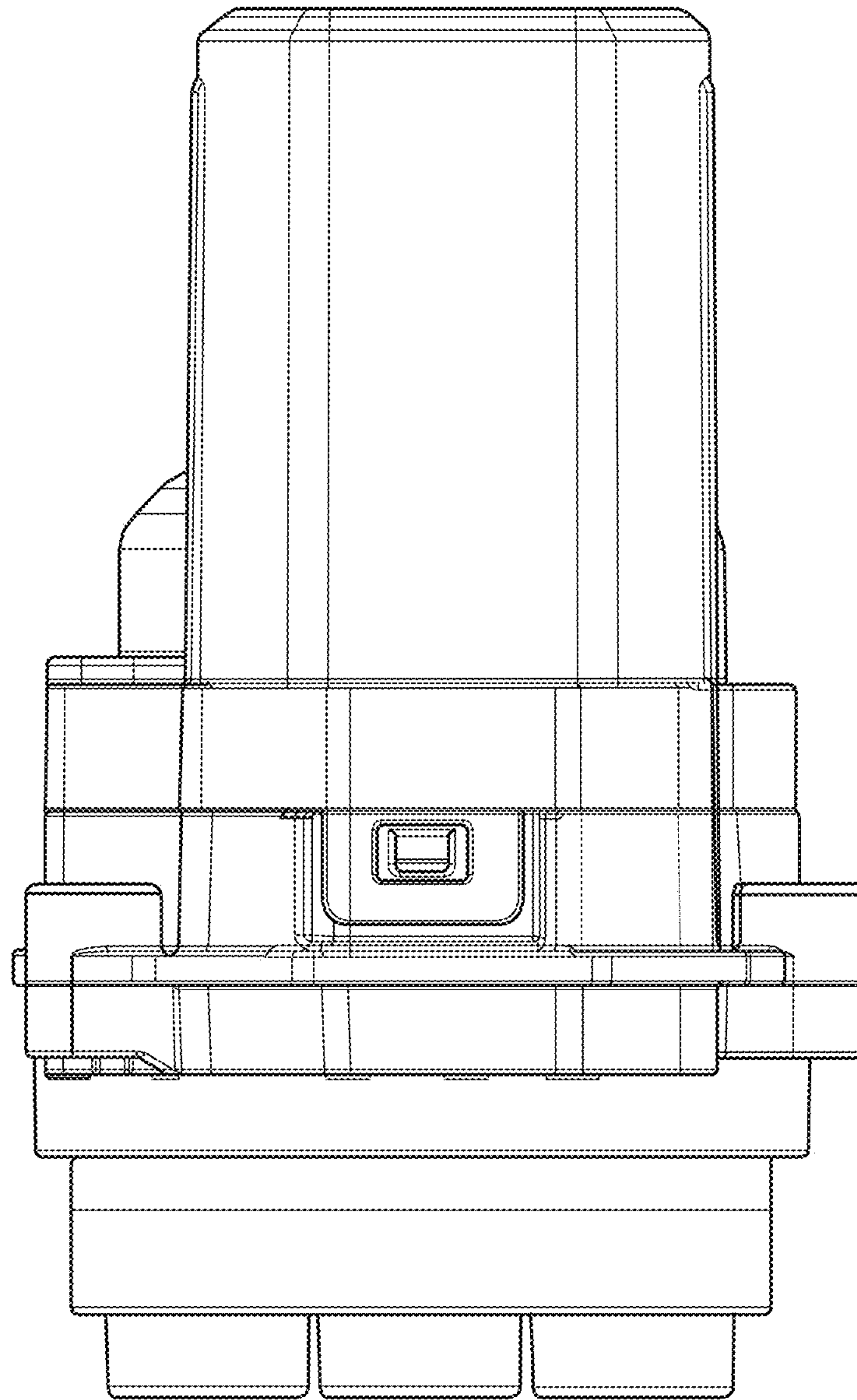


FIG. 5

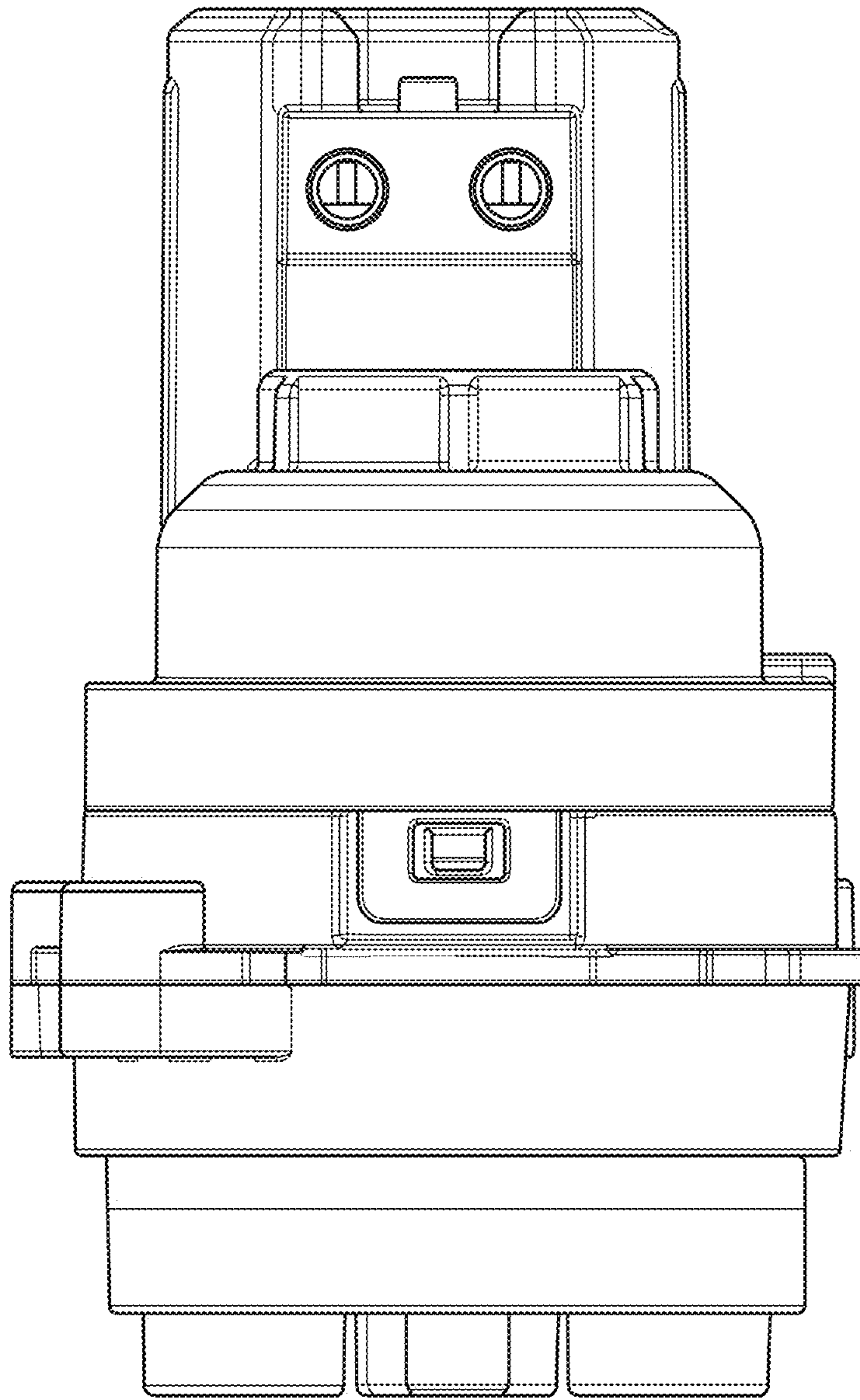


FIG. 6

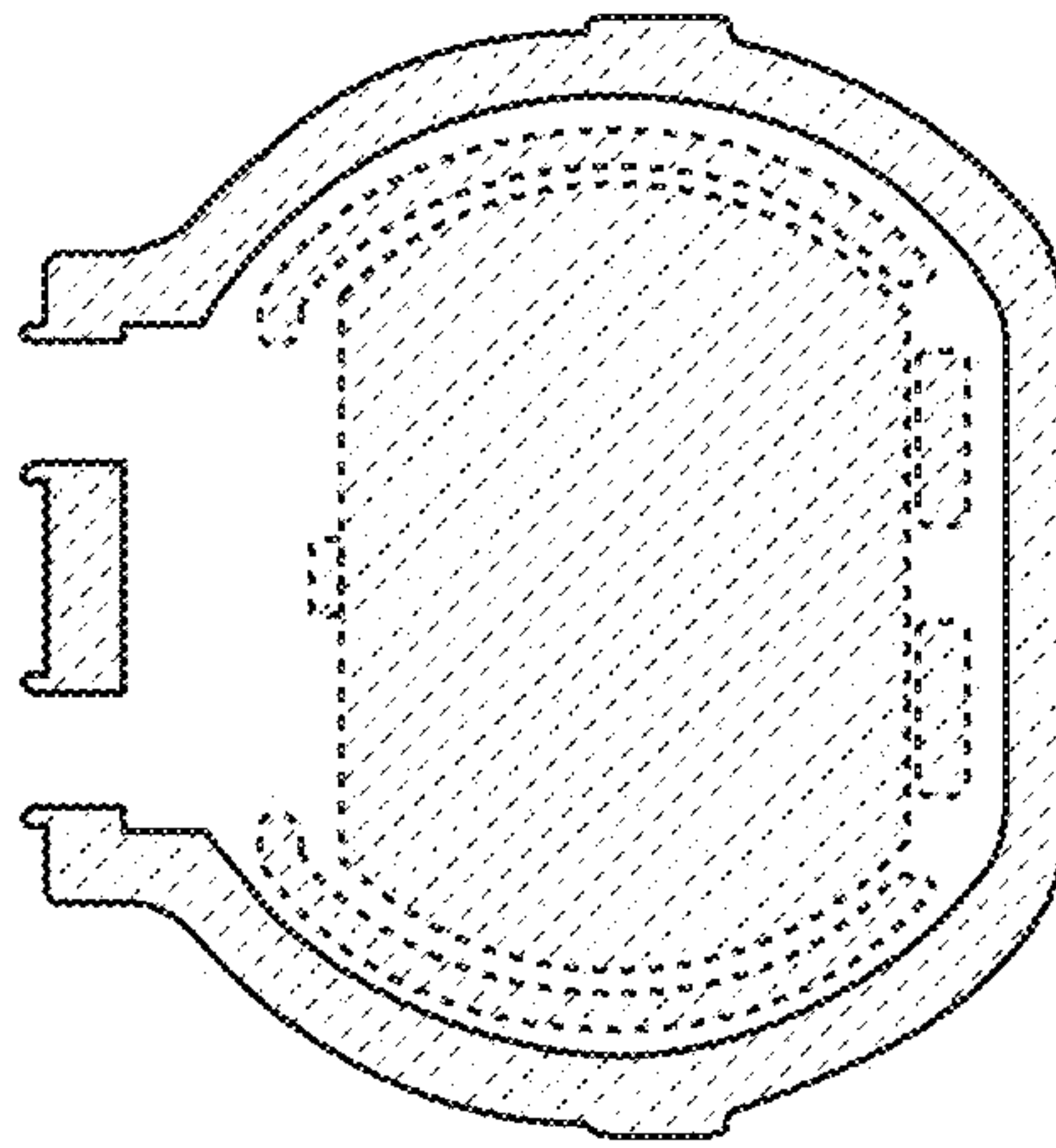


FIG. 7

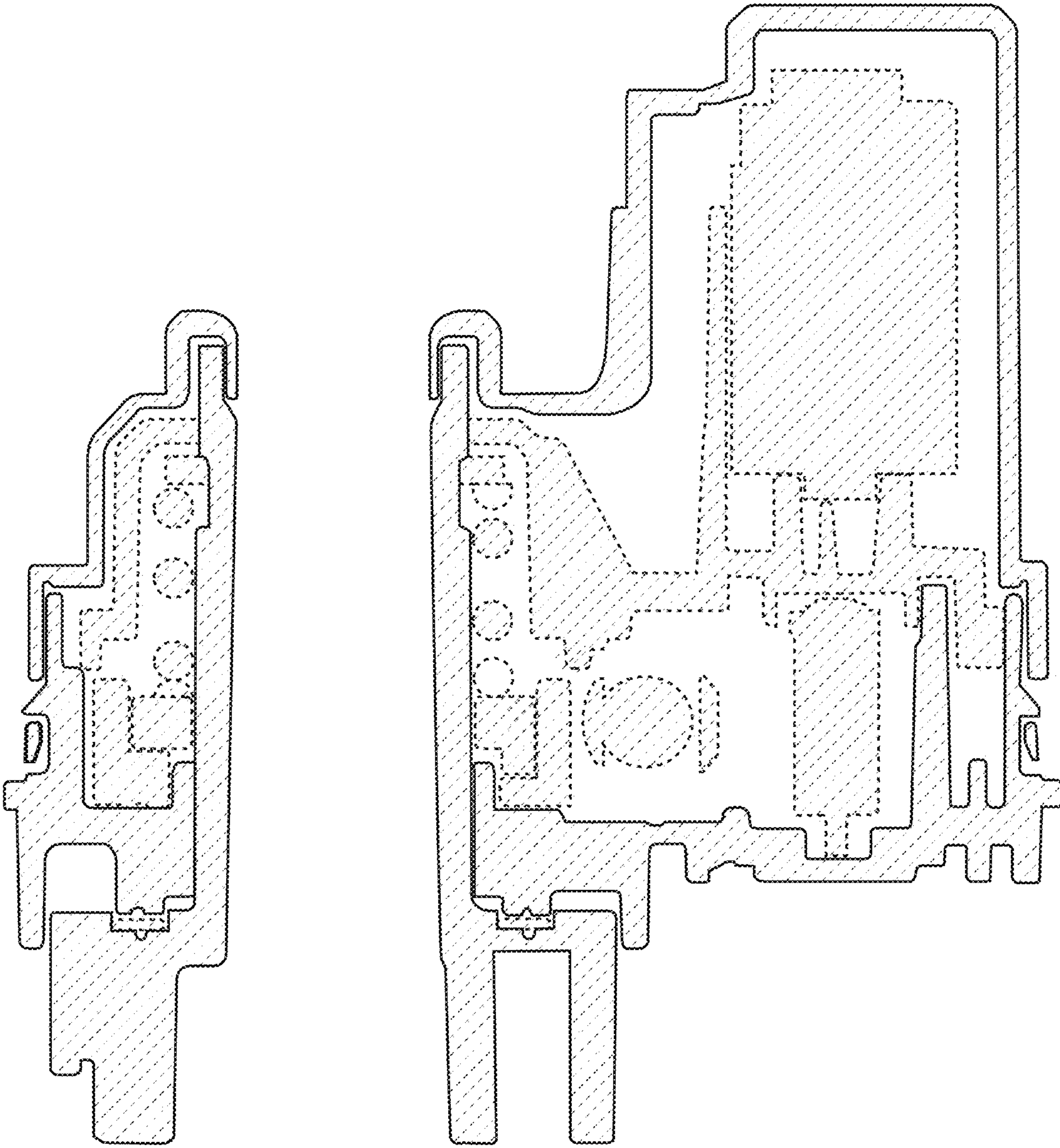


FIG. 8

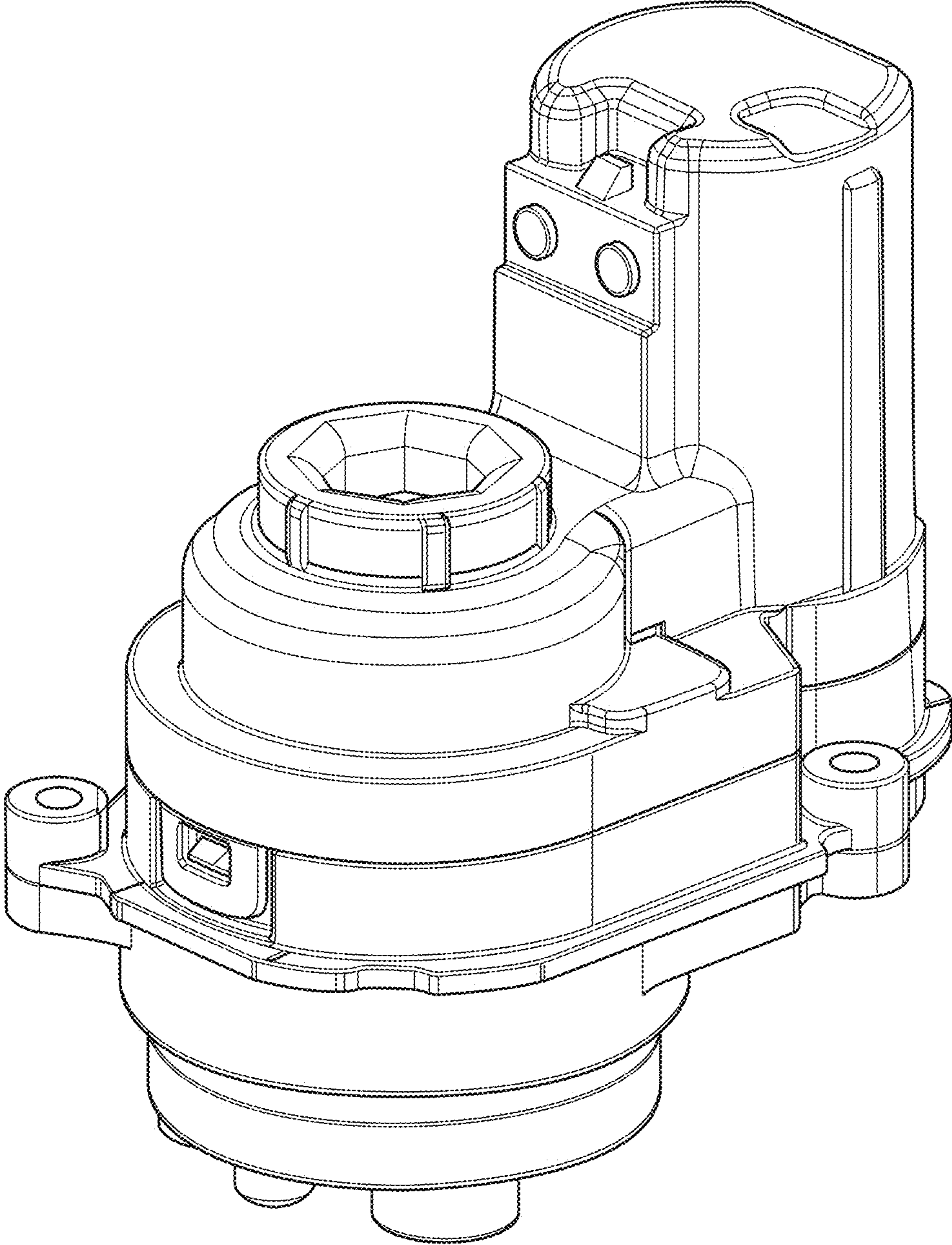


FIG. 9

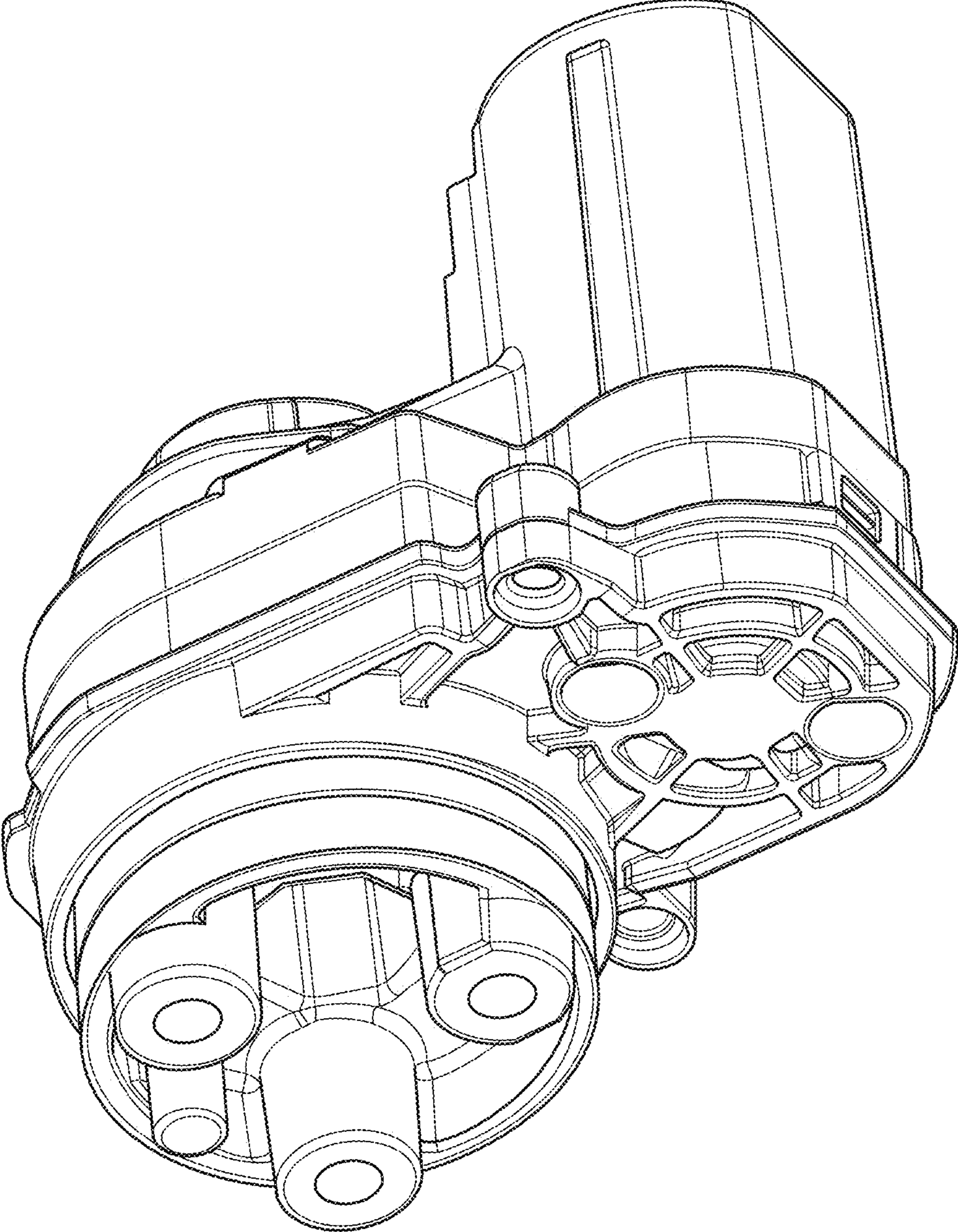


FIG. 10

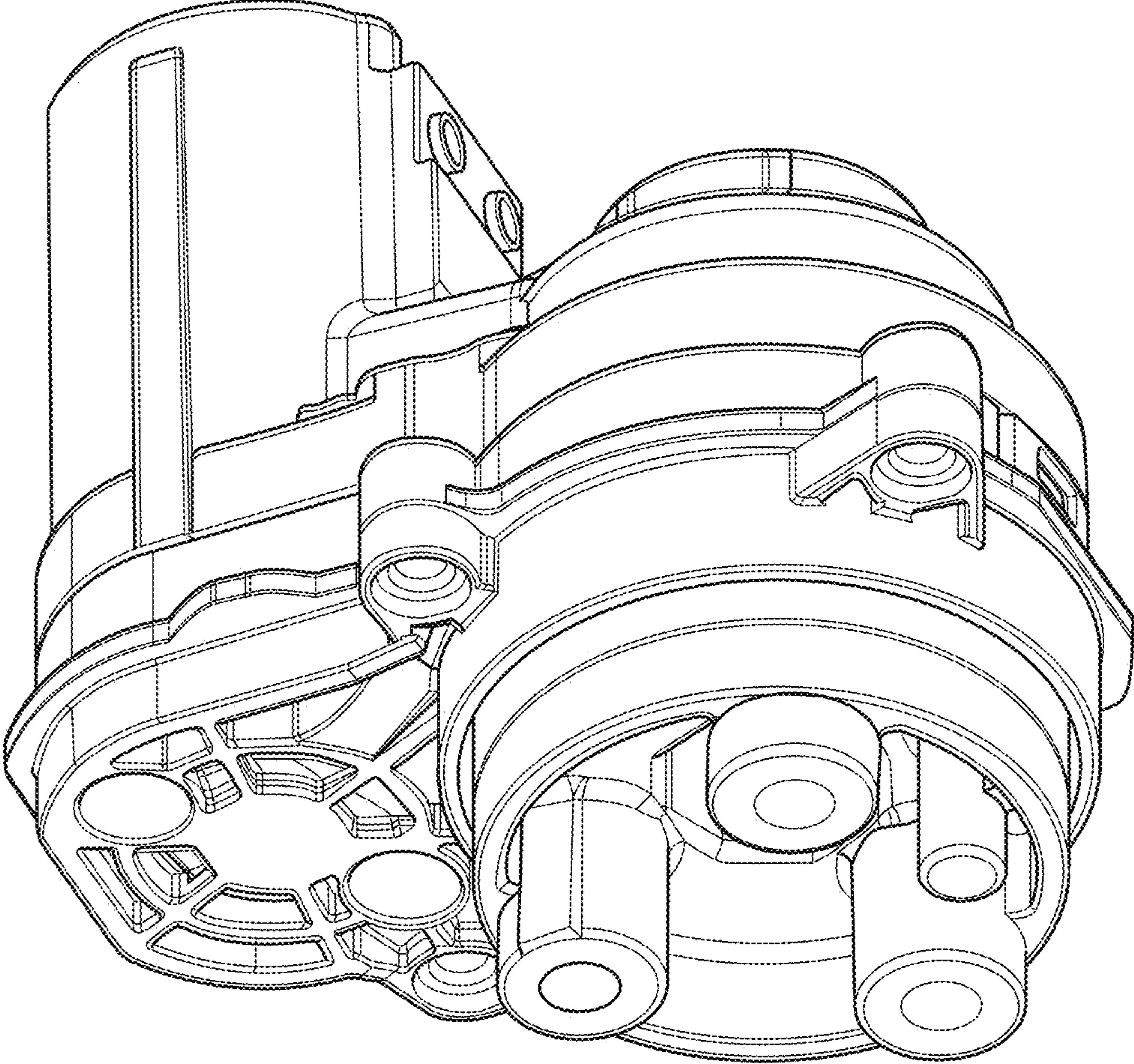


FIG. 11

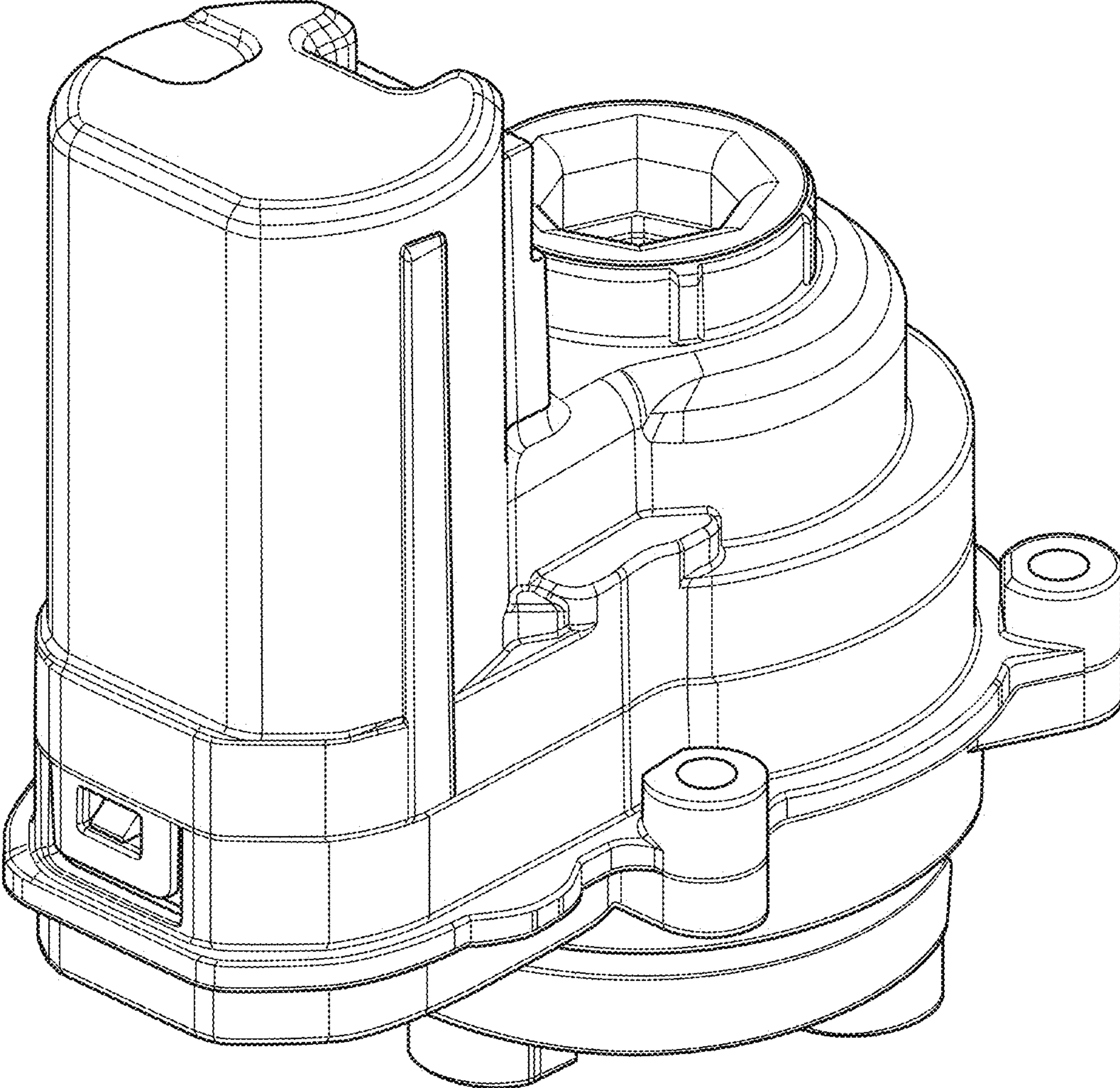


FIG. 12

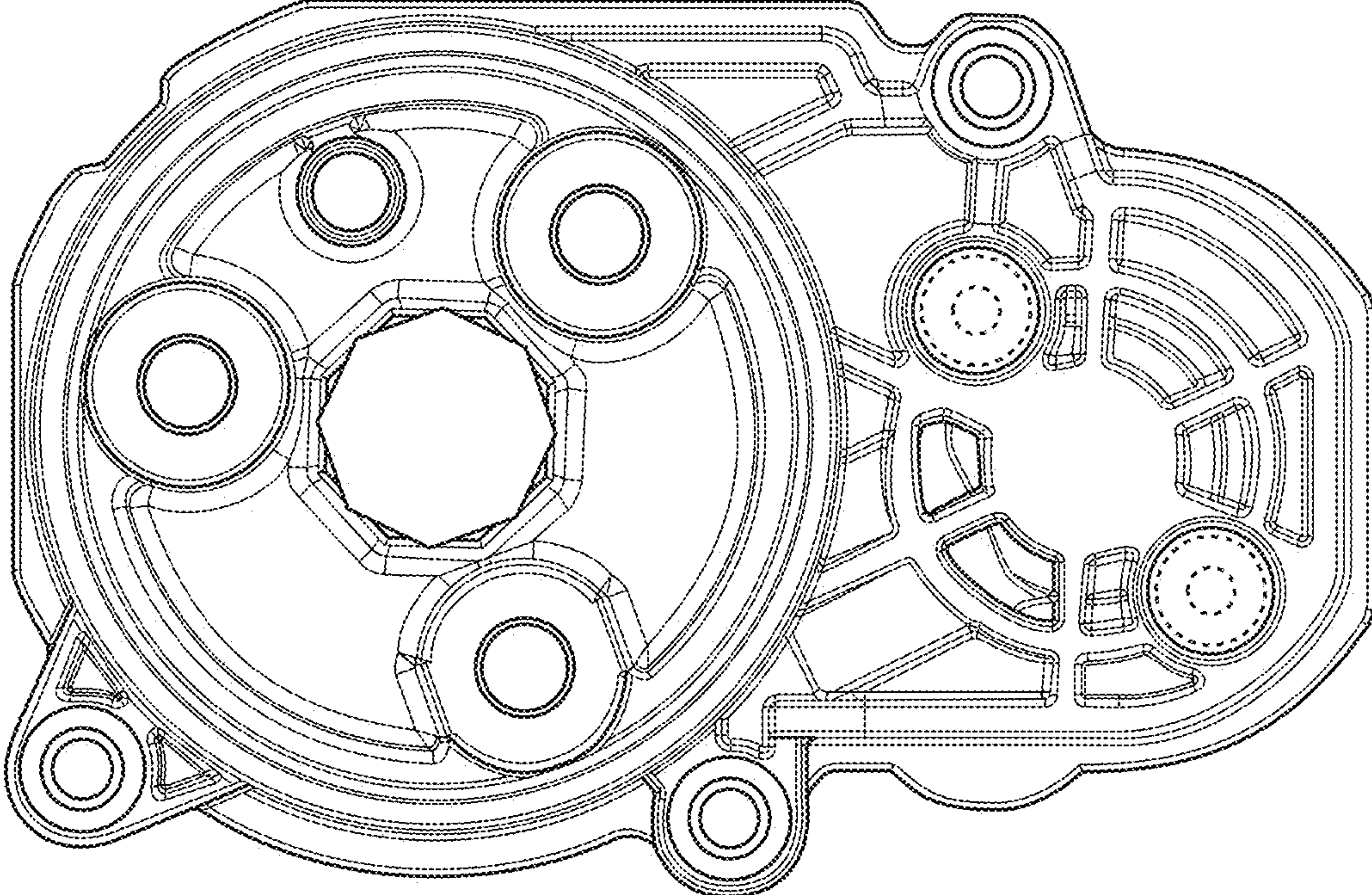


FIG. 13

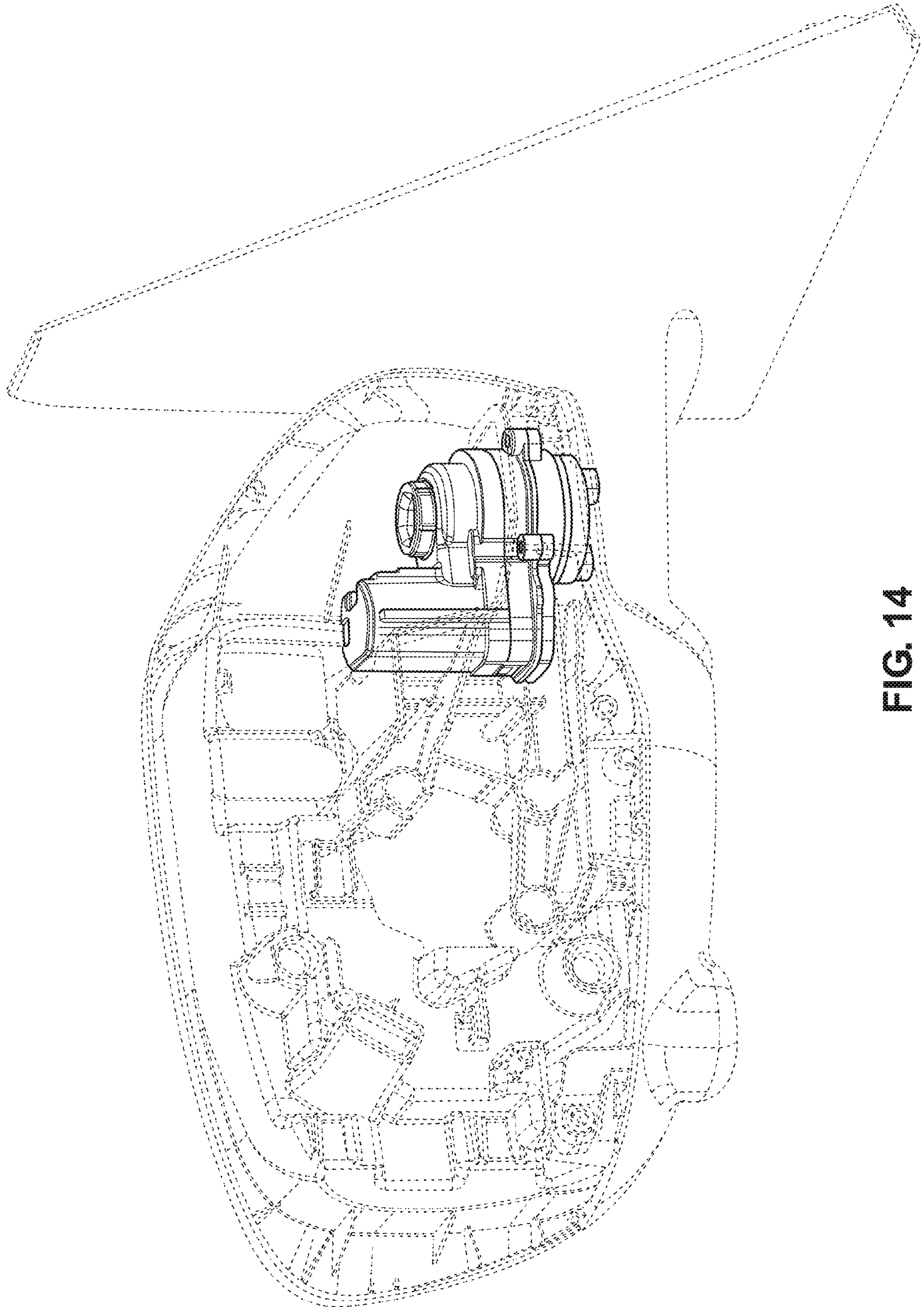


FIG. 14