



US00D923569S

(12) **United States Design Patent**  
**Ichikawa et al.**

(10) **Patent No.:** **US D923,569 S**  
(45) **Date of Patent:** **\*\* Jun. 29, 2021**

(54) **ELECTRIC RETRACTING UNIT FOR  
ELECTRIC RETRACTABLE DOOR MIRROR  
FOR VEHICLE**

(71) Applicant: **MURAKAMI CORPORATION,**  
Shizuoka (JP)

(72) Inventors: **Kenji Ichikawa,** Shizuoka (JP);  
**Yoshihiro Murata,** Fujieda (JP);  
**Takayuki Miyazaki,** Fujieda (JP);  
**Hiroki Takeuchi,** Fujieda (JP)

(73) Assignee: **MURAKAMI CORPORATION,**  
Shizuoka (JP)

(\*\*) Term: **15 Years**

(21) Appl. No.: **29/677,712**

(22) Filed: **Jan. 23, 2019**

(30) **Foreign Application Priority Data**

Jul. 27, 2018 (JP) ..... 2018-016454

(51) **LOC (13) Cl.** ..... **13-01**

(52) **U.S. Cl.**  
USPC ..... **D13/112**

(58) **Field of Classification Search**  
USPC ..... D13/107, 108, 110–118, 122, 133, 146,  
D13/147, 153, 154, 184, 199; D12/187  
CPC ..... H01R 13/00; H01R 13/424; H01R 13/64;  
H01R 4/00; H01R 11/00; H01R 31/06;  
H01R 24/38; H02J 3/38; H02J 7/0042;  
(Continued)

(56) **References Cited**

**U.S. PATENT DOCUMENTS**

D578,064 S \* 10/2008 Nimberger ..... D13/114  
D618,170 S \* 6/2010 Miller ..... D13/114  
(Continued)

**OTHER PUBLICATIONS**

U.S. Appl. No. 29/677,774 to Takayuki Miyazaki et al., filed Jan. 23,  
2019.

*Primary Examiner* — Catherine S Posthauer  
*Assistant Examiner* — Alison M Ofstun  
(74) *Attorney, Agent, or Firm* — Greenblum & Bernstein,  
P.L.C.

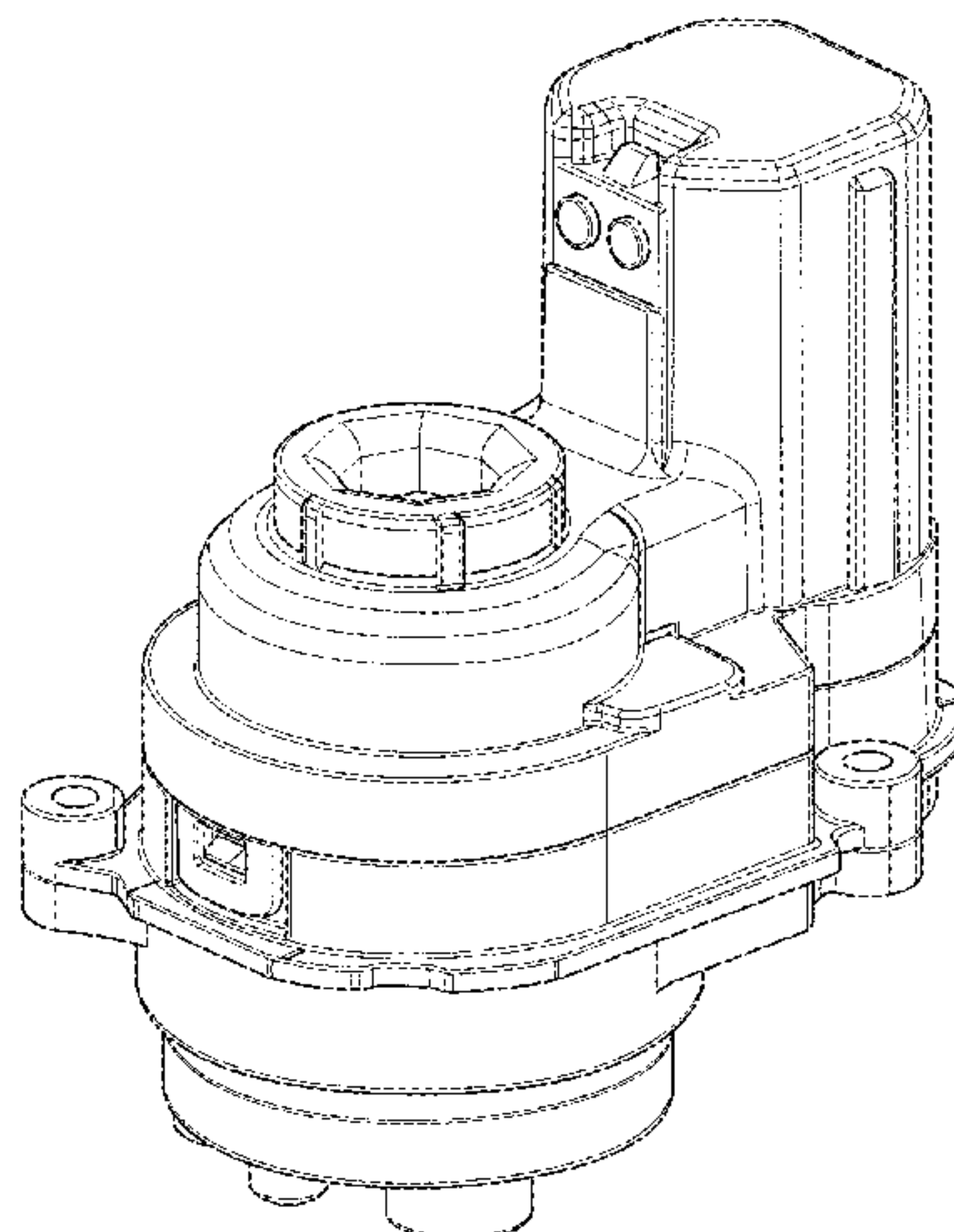
(57) **CLAIM**

The ornamental design for an electric retracting unit for electric retractable door mirror for vehicle, as shown and described.

**DESCRIPTION**

FIG. 1 is a front elevational view of an electric retracting unit for electric retractable door mirror for vehicle, showing our new design;  
FIG. 2 is a rear elevational view thereof;  
FIG. 3 is a top view thereof;  
FIG. 4 is a bottom view thereof;  
FIG. 5 is a right side elevational view thereof;  
FIG. 6 is a left side elevational view thereof;  
FIG. 7 is a cross-sectional view taken along line 7-7 of FIG. 1;  
FIG. 8 is a cross-sectional view taken along line 8-8 of FIG. 3;  
FIG. 9 is a top, left, front perspective view thereof;  
FIG. 10 is a bottom, right, front perspective view thereof;  
FIG. 11 is a bottom, left, rear perspective view thereof;  
FIG. 12 is a top, right, rear perspective view thereof;  
FIG. 13 is a bottom view thereof, shown in a position of use; and,  
FIG. 14 is a top, right, rear perspective view thereof, shown in an environment of use.  
In the drawings, the broken lines illustrate portions of the article that form no part of the claimed design or environmental subject matter that forms no part of the claimed design. In FIG. 14, the broken lines illustrate the environmental subject matter and form no part of the claimed design.

**1 Claim, 14 Drawing Sheets**



(58) **Field of Classification Search**

CPC ..... H02J 7/0045; H02J 7/0052; B60R 1/00;  
 B60R 1/06; B60R 1/072; B60R 1/074  
 See application file for complete search history.

(56) **References Cited**

U.S. PATENT DOCUMENTS

D618,615	S *	6/2010	Basic	.....	D13/114
7,726,623	B2 *	6/2010	Muller	.....	B60R 1/04 248/475.1
9,244,249	B2 *	1/2016	Kim	.....	B60R 1/12
D770,977	S *	11/2016	Wu	.....	D13/114
10,190,610	B1 *	1/2019	Busscher	.....	F16B 5/125
D880,421	S *	4/2020	Koike	.....	D13/118
D886,697	S *	6/2020	Sugimura	.....	D12/187
D887,331	S *	6/2020	Sugimura	.....	D12/187
2004/0218297	A1 *	11/2004	Sakata	.....	B60R 1/074 359/877
2005/0168853	A1 *	8/2005	Kyoden	.....	B60R 1/07 359/873
2007/0242373	A1 *	10/2007	Yamauchi	.....	B60R 1/06 359/841
2011/0141591	A1 *	6/2011	Iseki	.....	B60R 1/074 359/841
2018/0105112	A1	4/2018	Motomiya et al.		
2018/0105113	A1	4/2018	Motomiya et al.		
2018/0111557	A1	4/2018	Motomiya et al.		
2018/0111558	A1	4/2018	Motomiya et al.		
2018/0281682	A1	10/2018	Ichikawa et al.		
2018/0281683	A1	10/2018	Motomiya et al.		
2018/0287454	A1	10/2018	Motomiya et al.		
2020/0208620	A1 *	7/2020	Chou	.....	F04B 41/00

\* cited by examiner

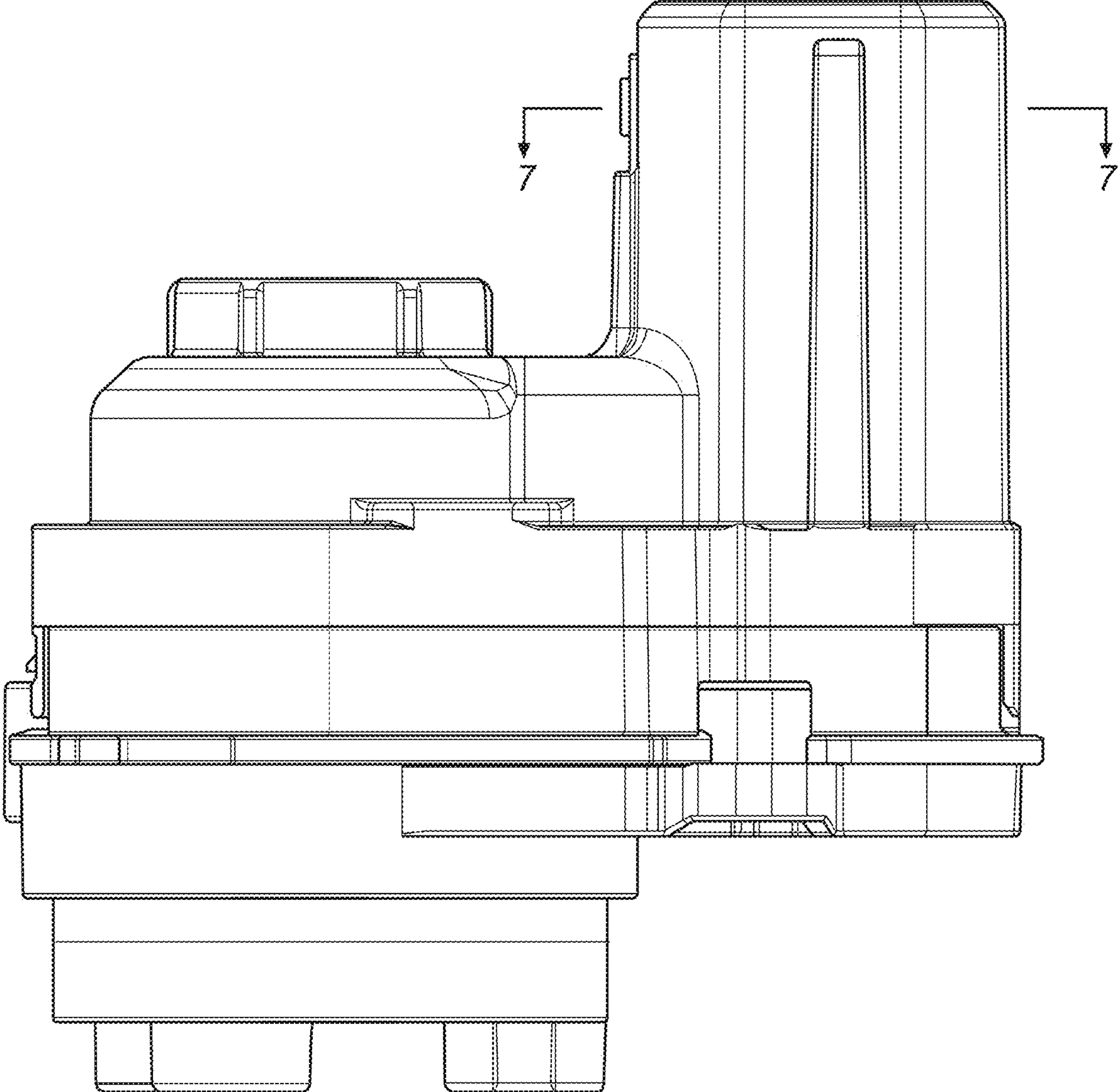


FIG. 1

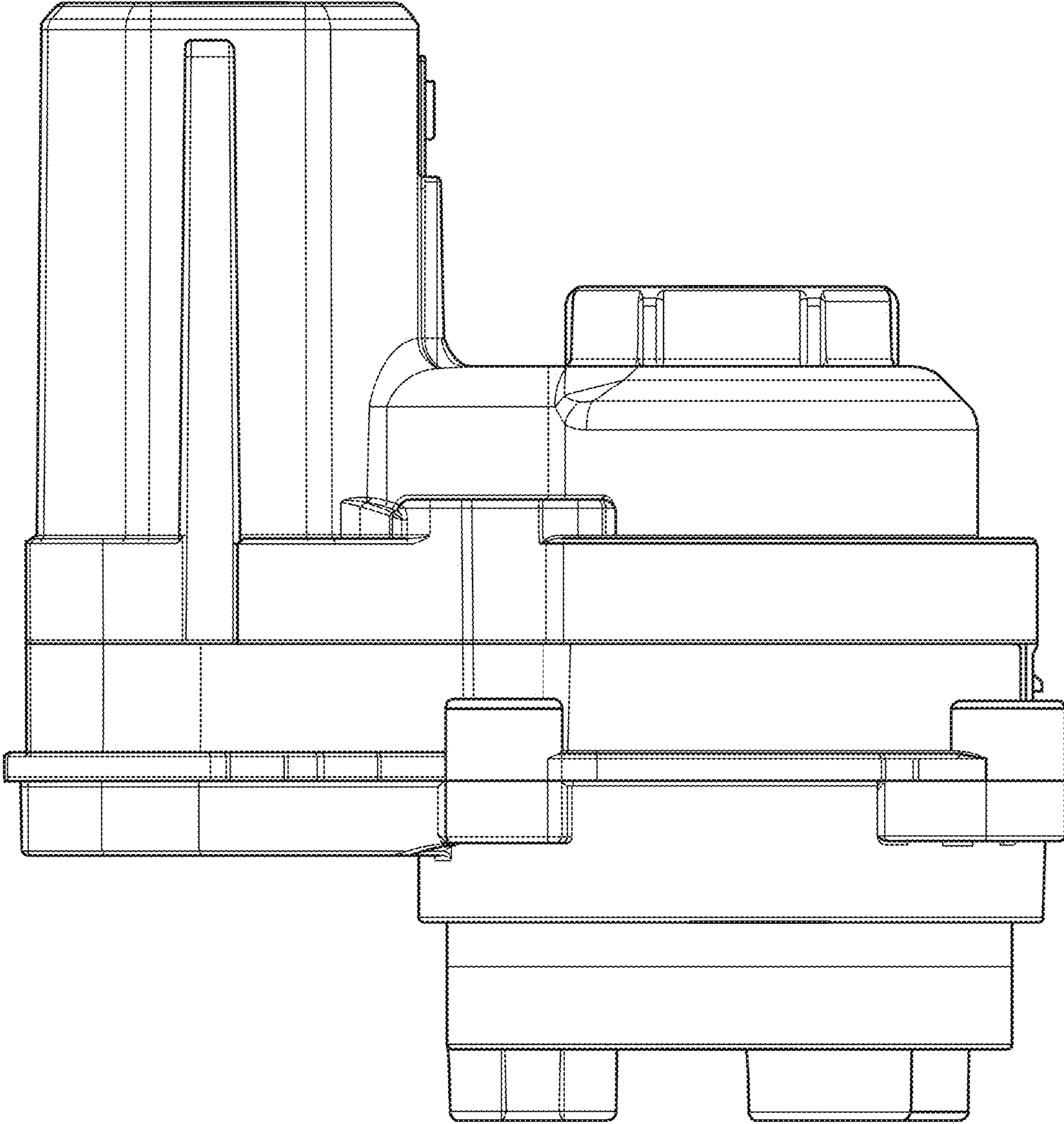


FIG. 2



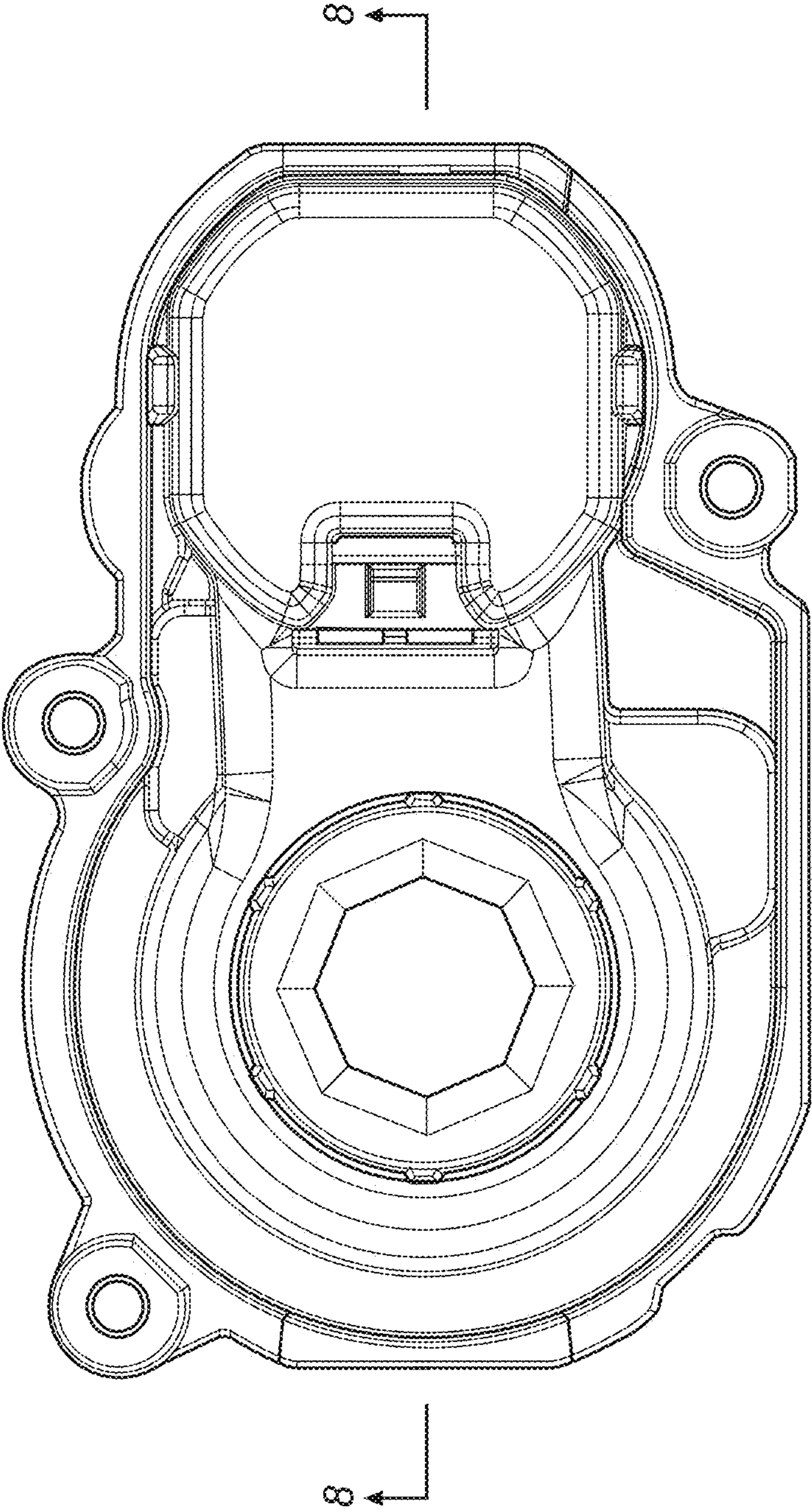


FIG. 3

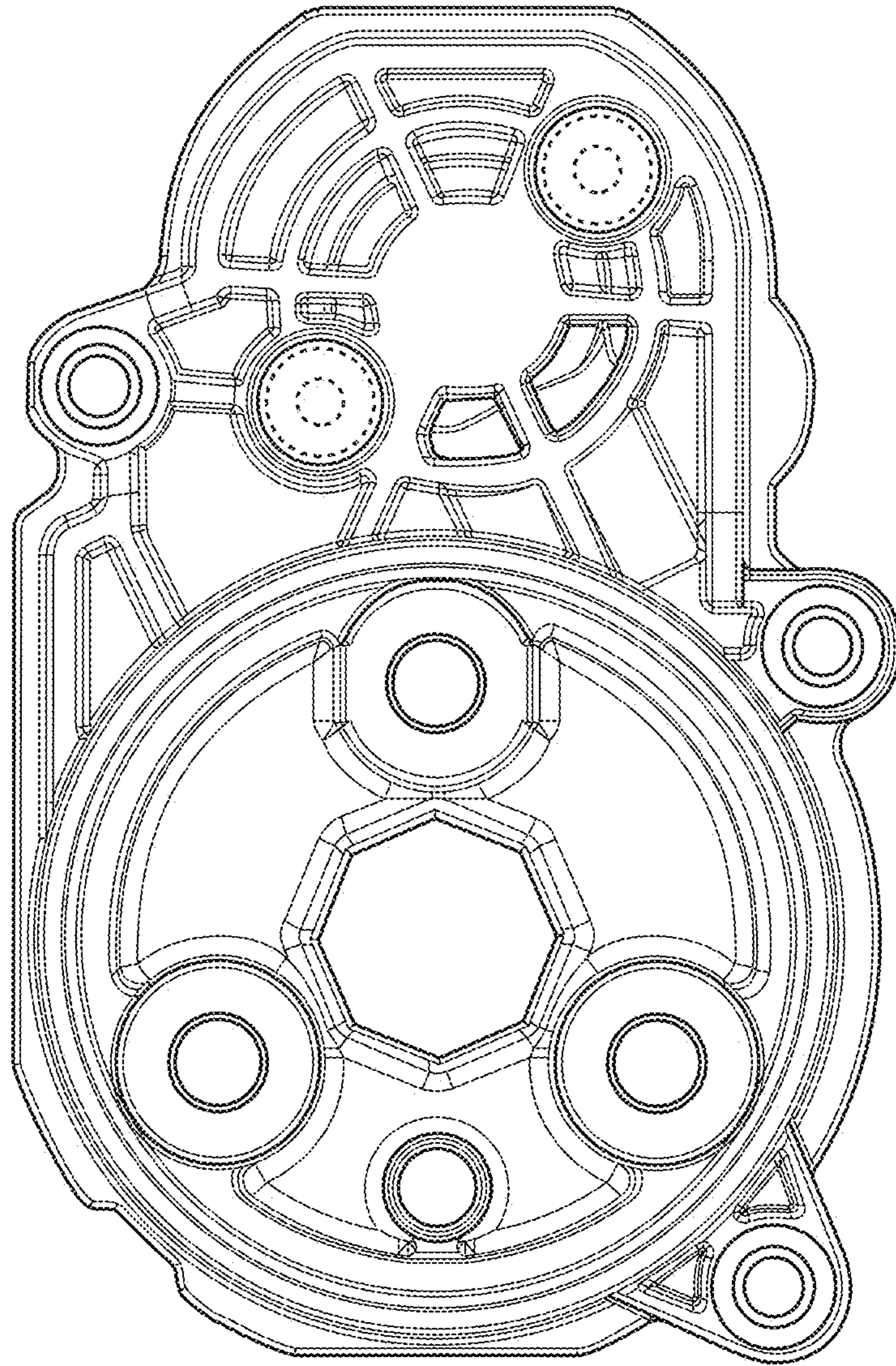


FIG. 4

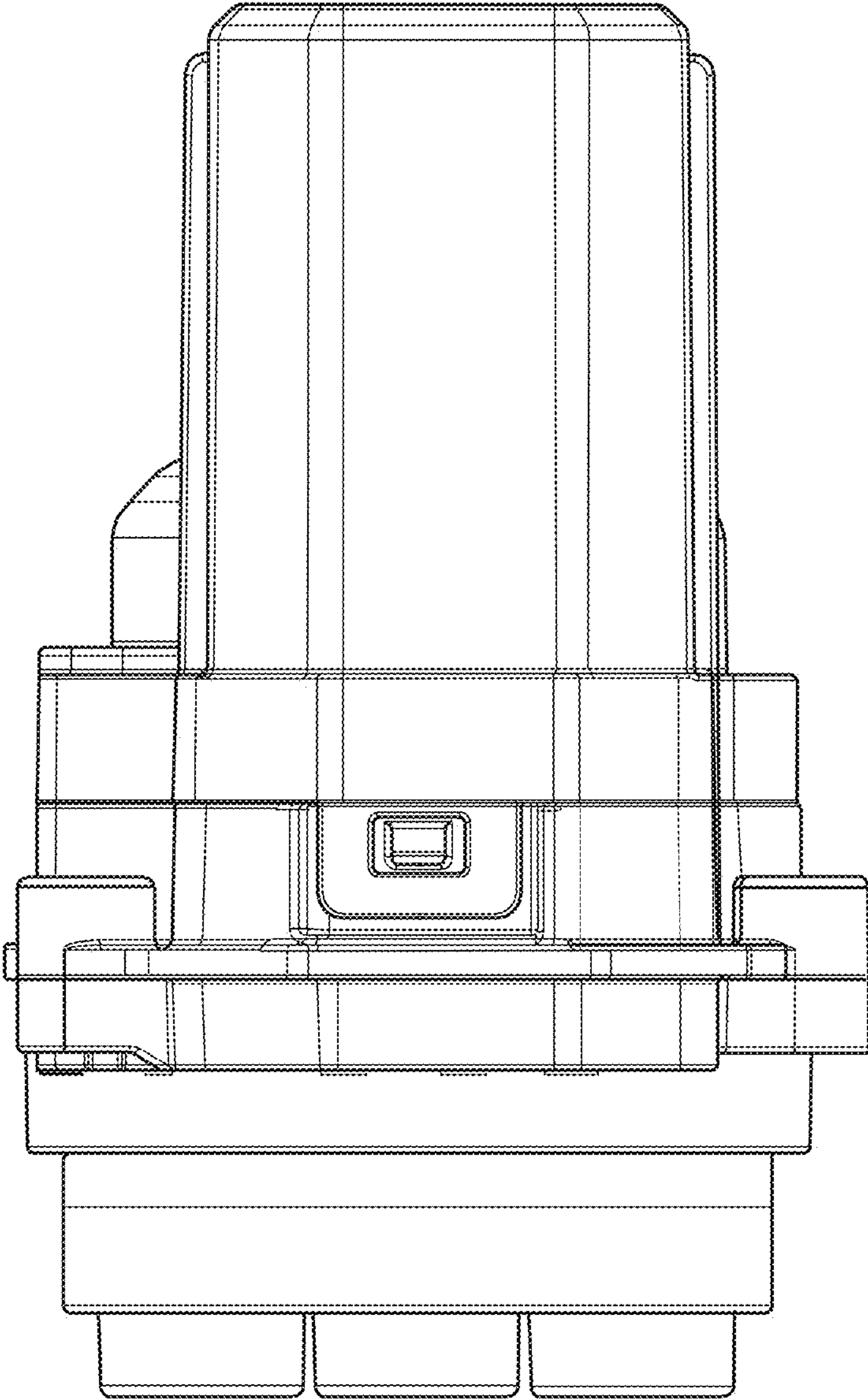


FIG. 5



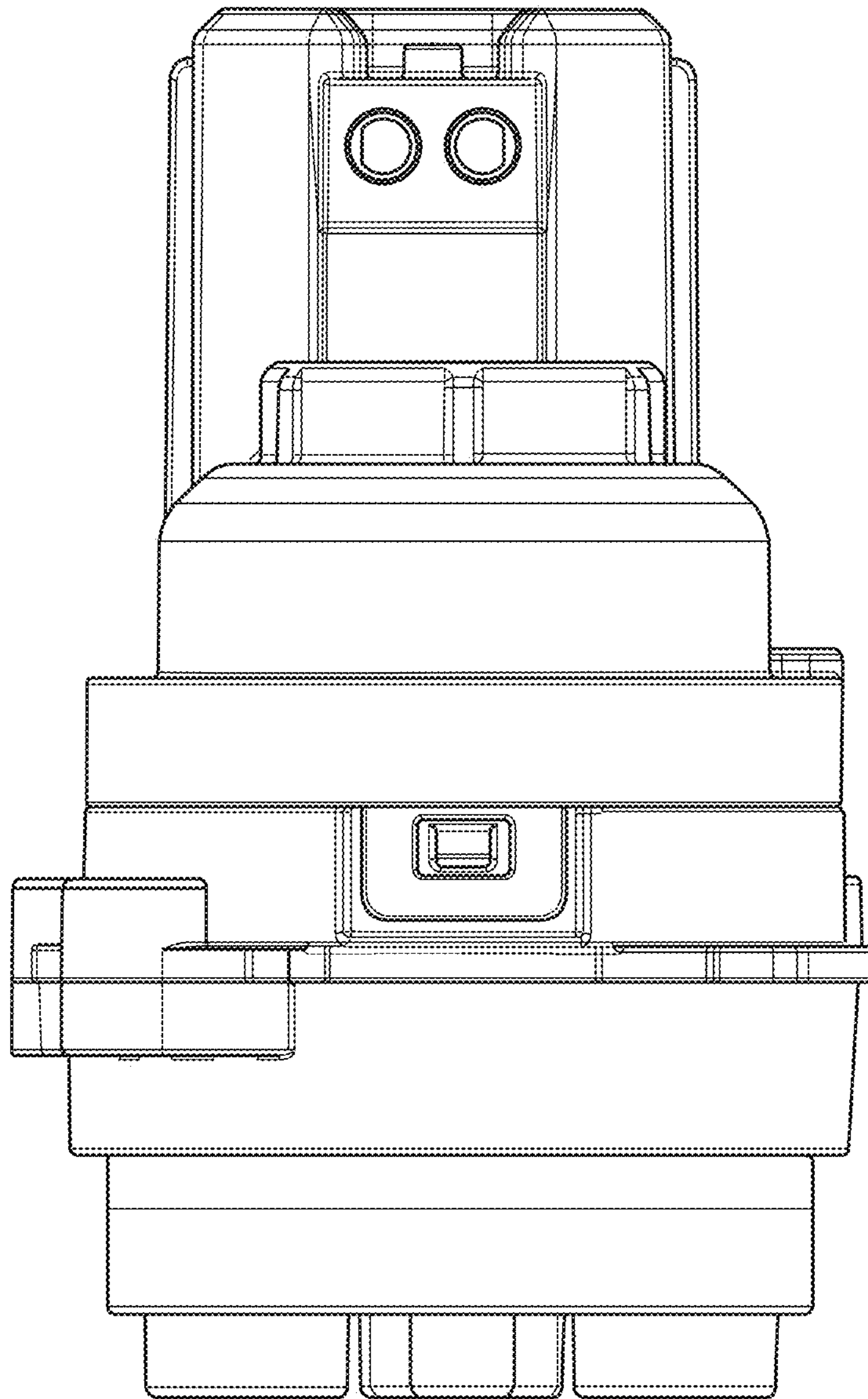


FIG. 6



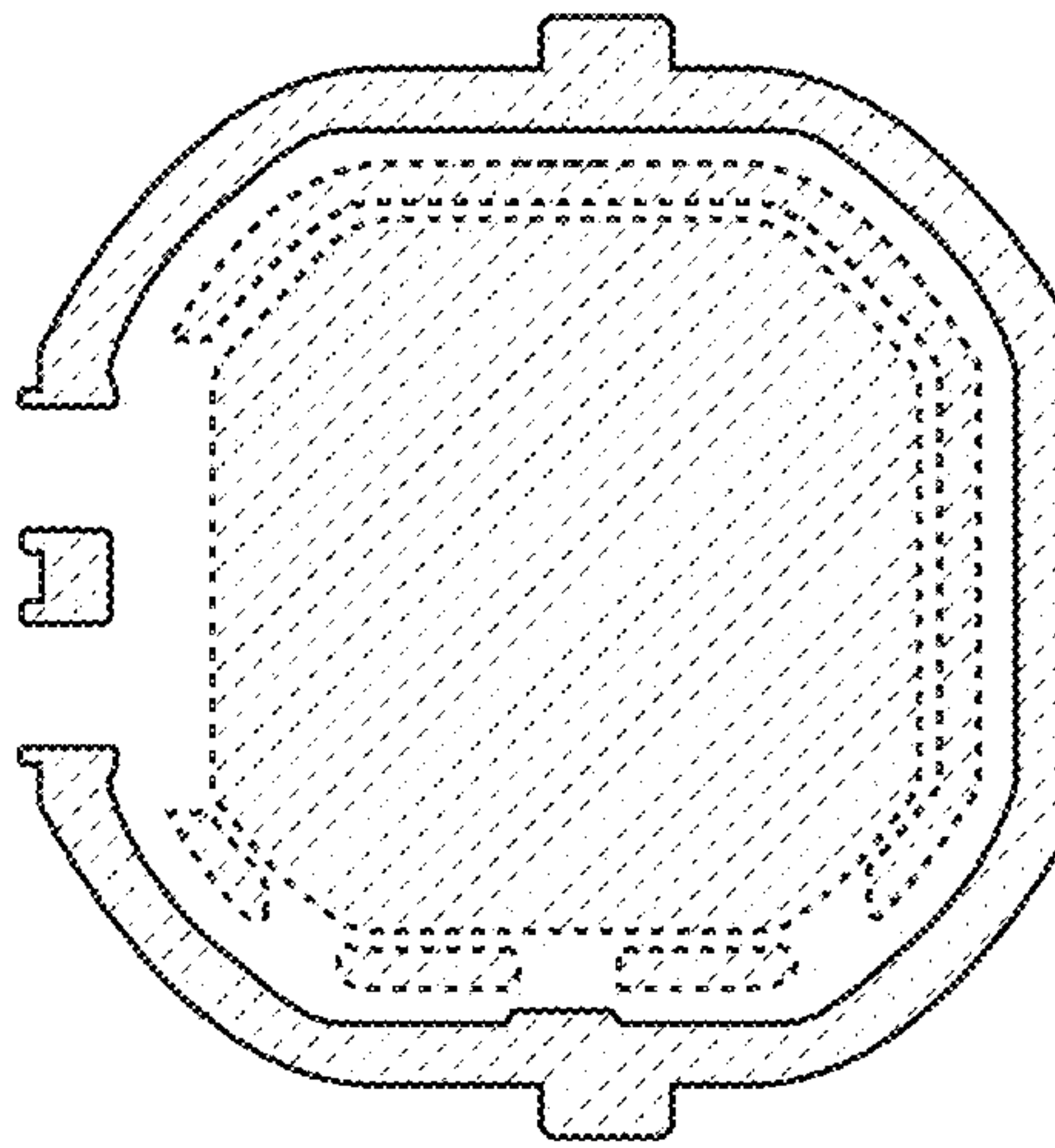


FIG. 7

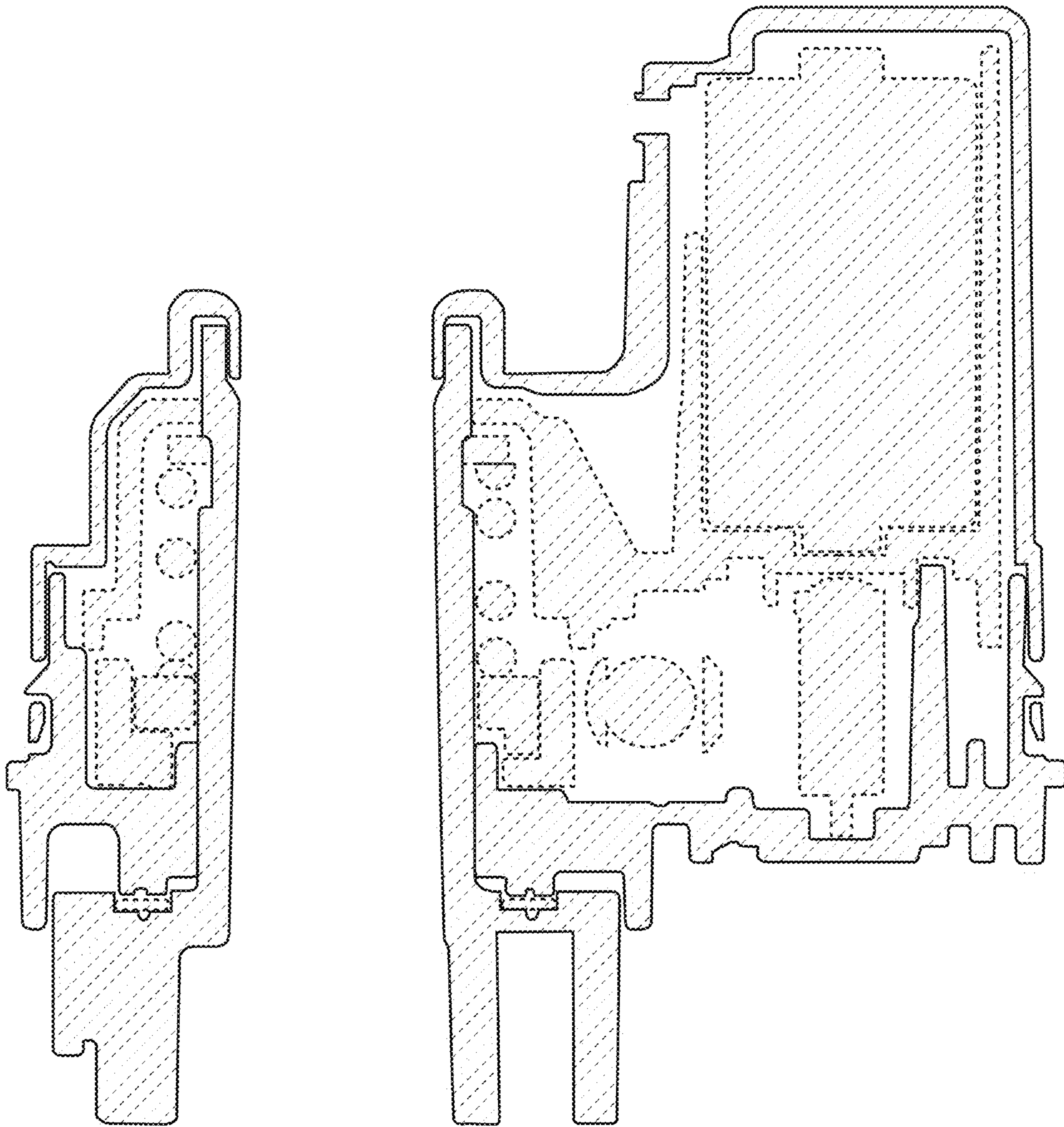


FIG. 8

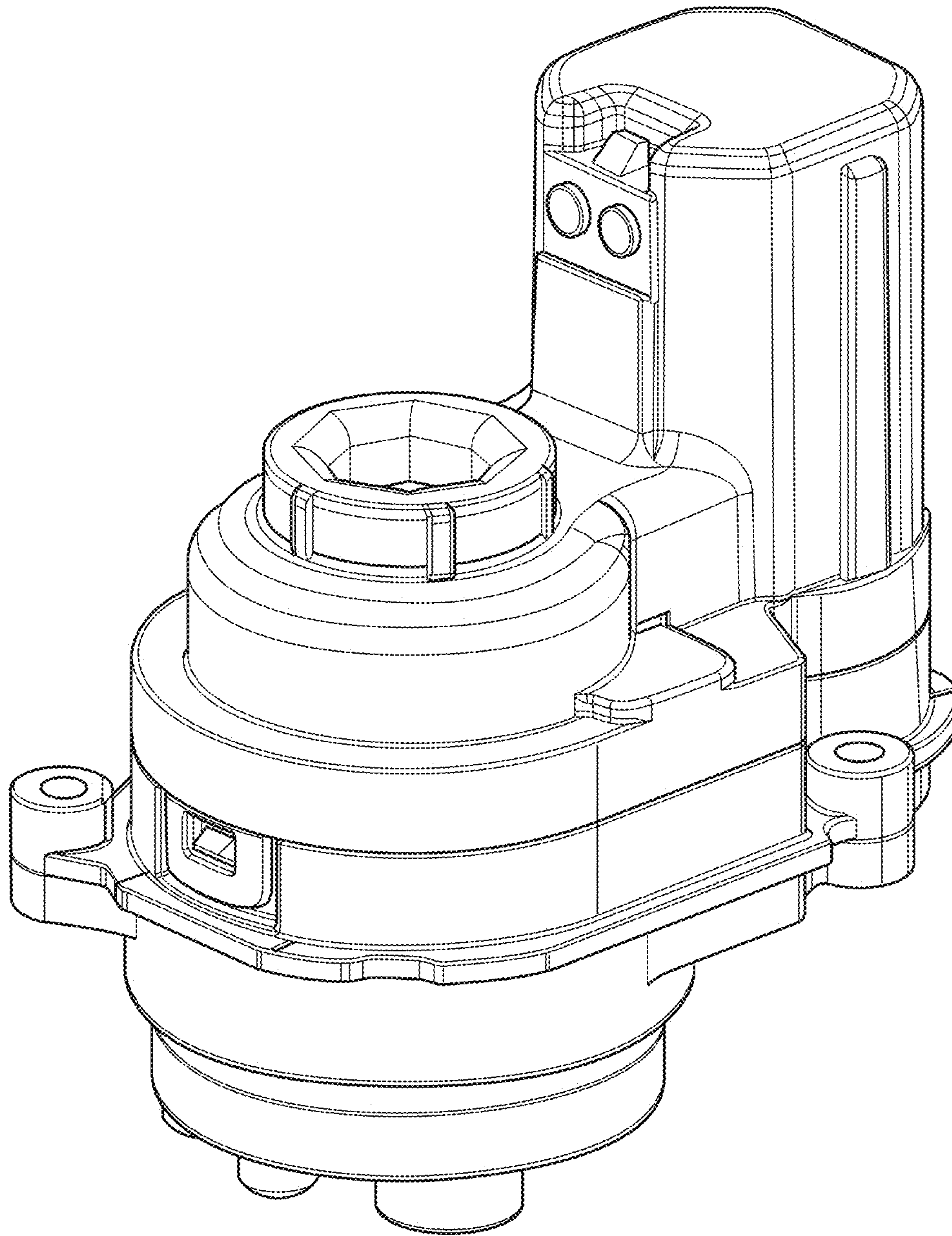


FIG. 9



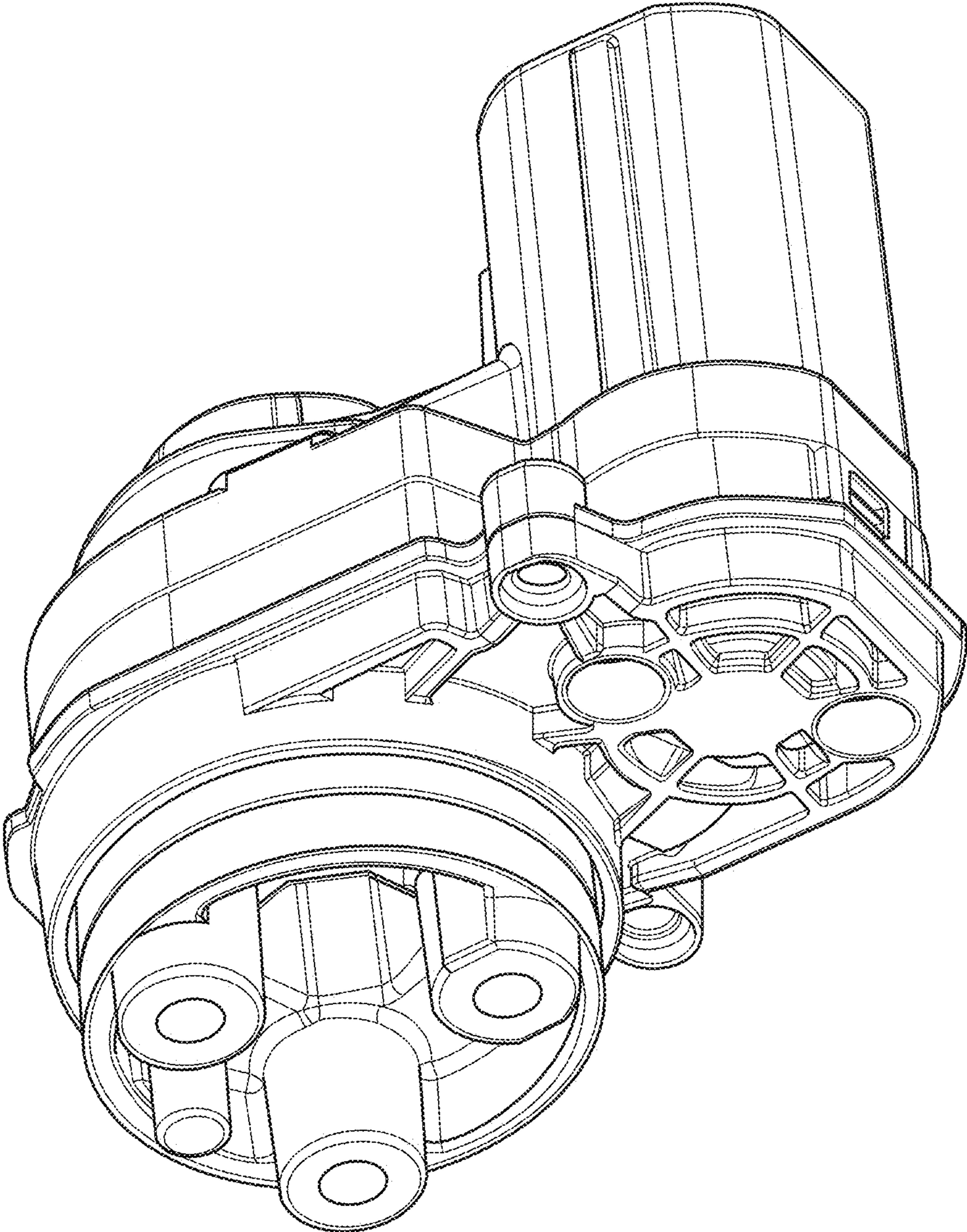


FIG. 10



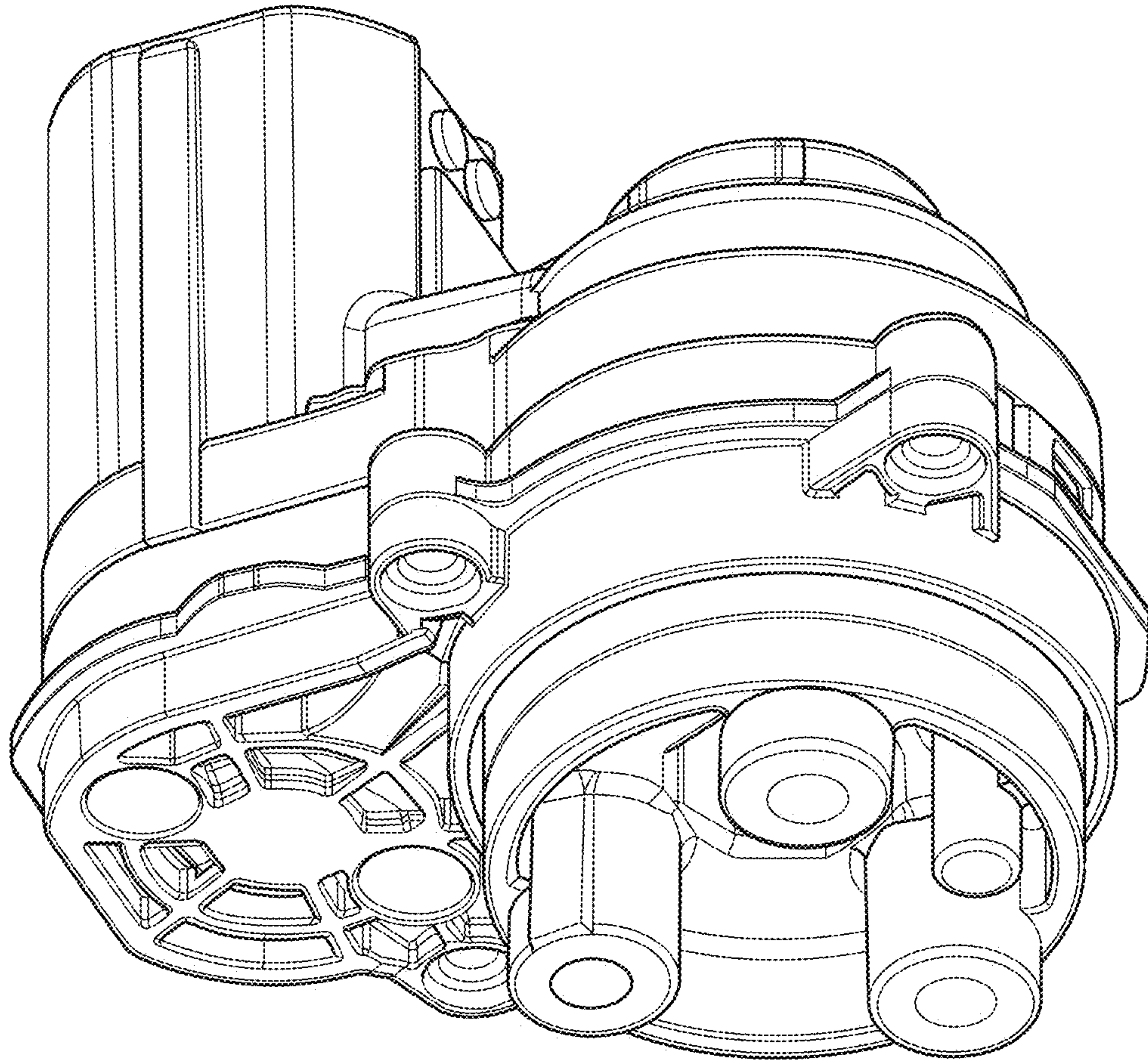


FIG. 11

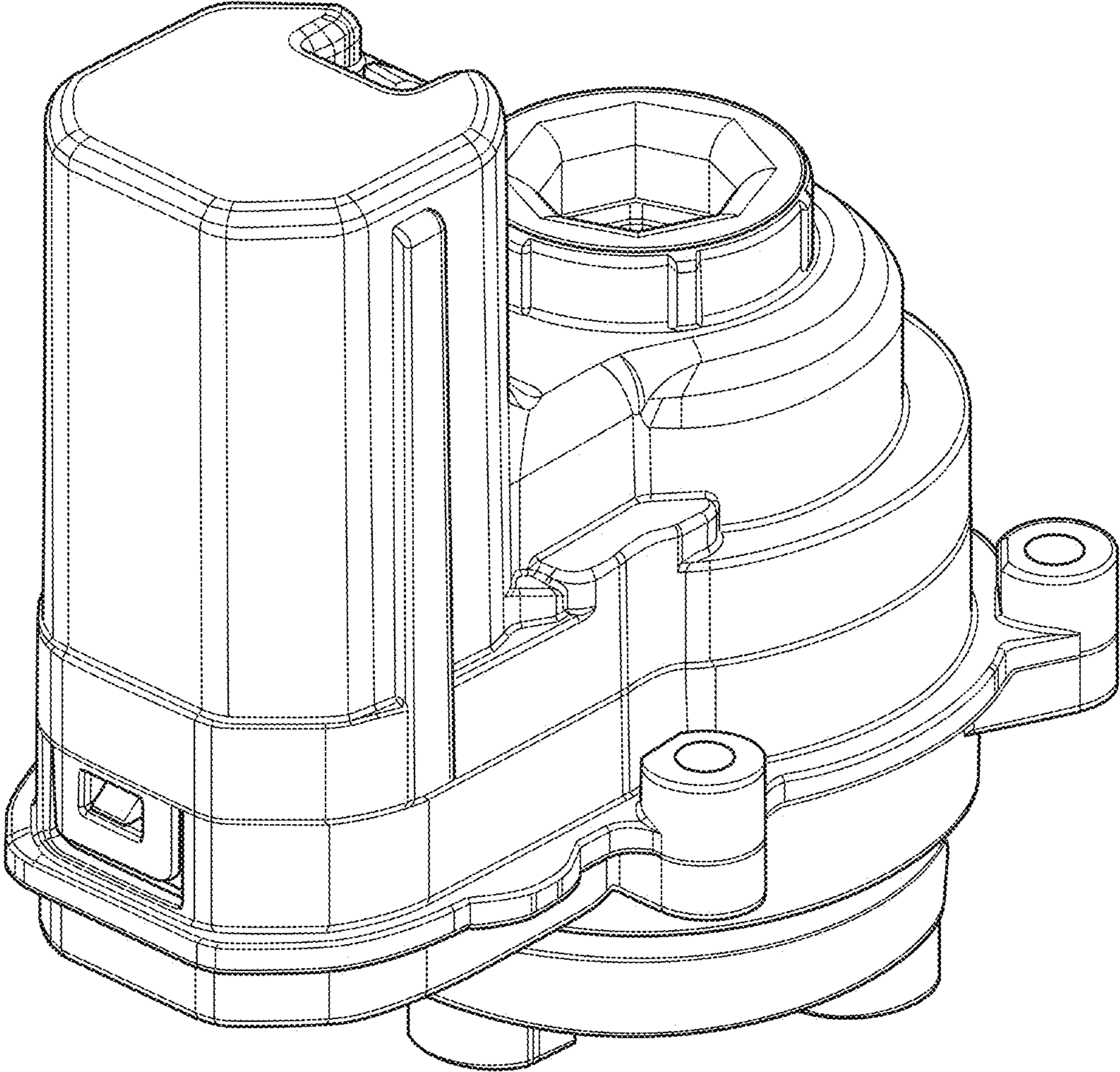


FIG. 12



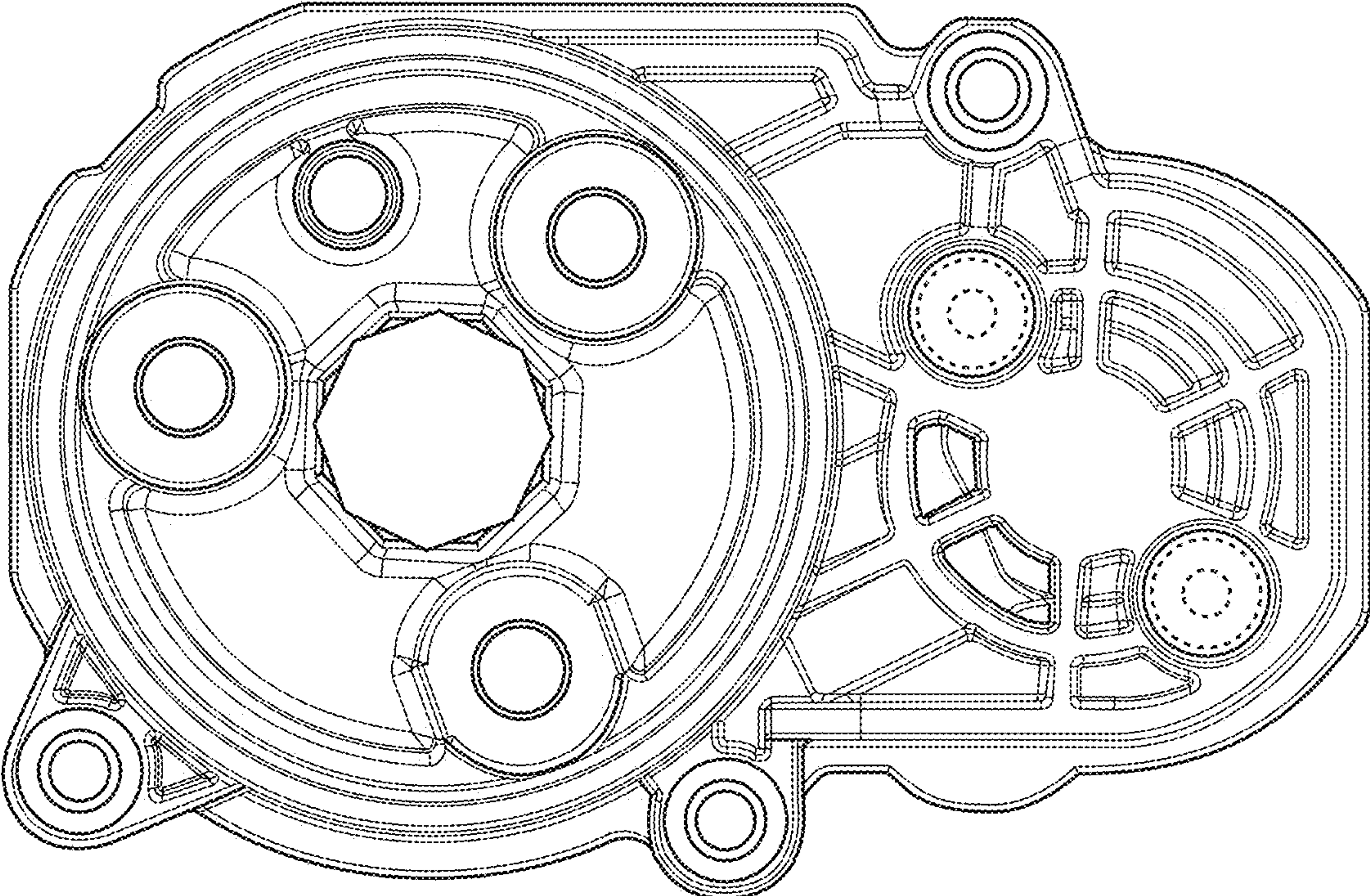


FIG. 13

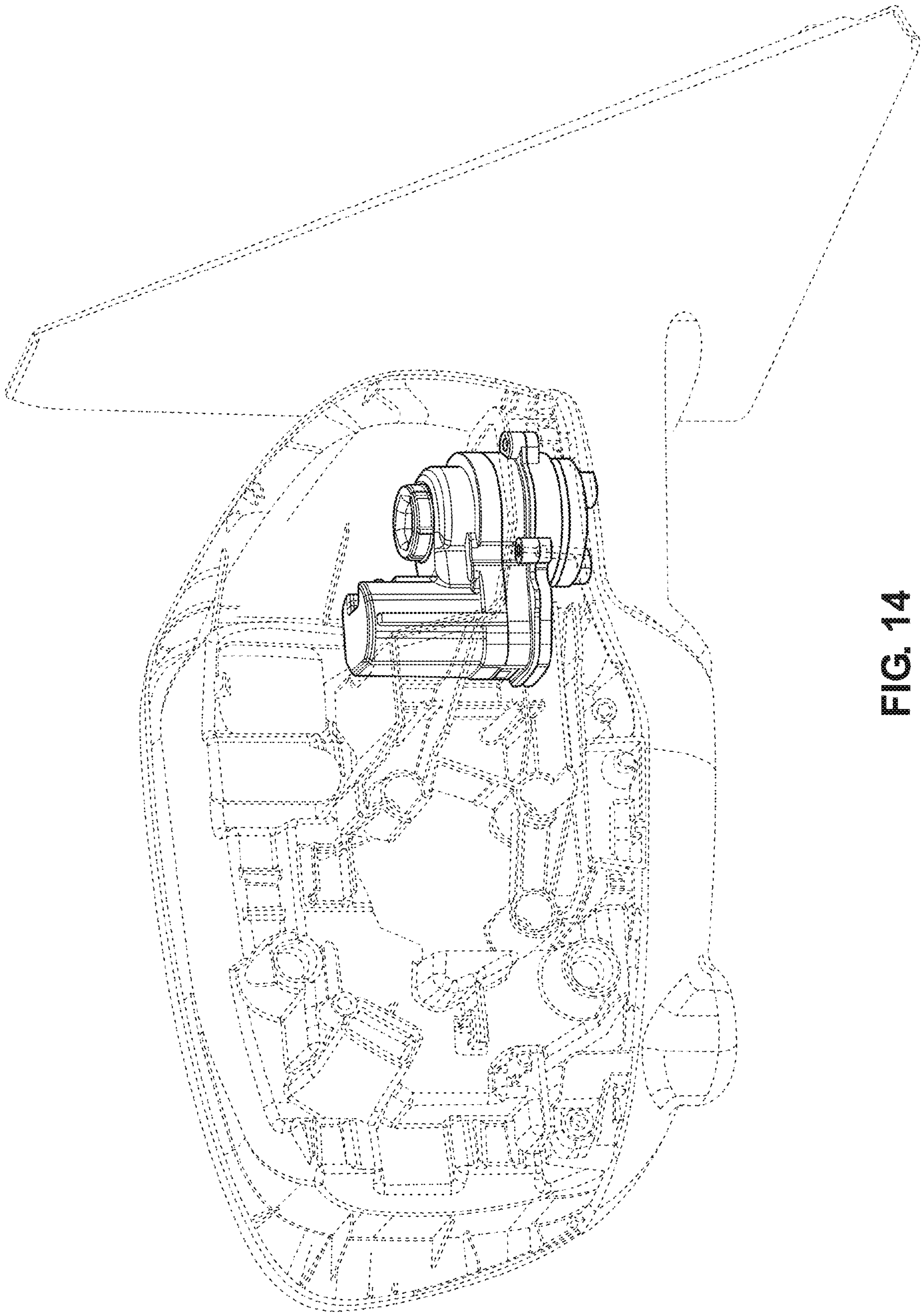


FIG. 14