



US00D923566S

(12) **United States Design Patent** (10) **Patent No.:** **US D923,566 S**
Wang (45) **Date of Patent:** **** Jun. 29, 2021**

(54) **ELECTRIC TOOTHBRUSH CHARGER**

OTHER PUBLICATIONS

- (71) Applicant: **Hai Wang**, Hong Kong (HK)
- (72) Inventor: **Hai Wang**, Hong Kong (HK)
- (73) Assignee: **INNOTECH APPLIANCE LIMITED**,
Hong Kong (HK)
- (**) Term: **15 Years**
- (21) Appl. No.: **29/705,912**
- (22) Filed: **Sep. 17, 2019**
- (51) **LOC (13) Cl.** **13-02**
- (52) **U.S. Cl.**
USPC **D13/108; D6/534**
- (58) **Field of Classification Search**
USPC D13/103, 107, 108, 109, 110, 116, 118,
D13/119, 199; D3/205; D4/100, 101,
D4/199; D6/524, 526, 534; D14/209.1,
D14/224, 251, 252, 434; D27/172, 183,
D27/186, 193
CPC H04R 1/1025; H02J 7/342; H01M 10/44
See application file for complete search history.

“InterDesign York Stand Toothbrush Holder”. Found online Dec. 29, 2020 at walmart.com. Reference dated Aug. 29, 2016. Retrieved from <https://www.walmart.com/ip/InterDesign-York-Stand-Toothbrush-Holder/38479576>. (Year: 2016).*

“Fitter Patter Umbrella Stand”. Found online Jan. 4, 2021 at hivemodern.com. Reference dated Sep. 17, 2019. Retrieved from https://tineye.com/search/8e9ebe84a90120cce3f033c23fa2d8bda6b03bed?sort=crawl_date&order=asc&page=1. (Year: 2019).*

“Skull Shaver Stand for Electric Razors”. Found online Dec. 29, 2020 at ebay.com. Reference dated Sep. 24, 2017. Retrieved from https://tineye.com/search/590a85666d2ecf4460e47b5c6283ab3b2e925026?sort=crawl_date&order=asc&page=1&ia=ebay.com. (Year: 2017).*

* cited by examiner

Primary Examiner — Kendra Leslie Hamilton
Assistant Examiner — Amanda Christensen

(56) **References Cited**

U.S. PATENT DOCUMENTS

D32,670 S *	5/1900	Scott	D4/199
1,627,652 A *	5/1927	Kornicker	A47F 7/00
				248/158
5,396,993 A *	3/1995	Spitler	A47J 47/16
				211/41.2
D396,762 S *	8/1998	Bermillo	D6/534
D510,905 S *	10/2005	Thirouin	D13/108
D572,188 S *	7/2008	Prat-Pfister	D13/108
D637,842 S *	5/2011	Kraemer	D6/534
D677,503 S *	3/2013	Floyd	D6/526
D699,473 S *	2/2014	Szczepanowski	D6/526
D764,406 S *	8/2016	Uchida	D13/108
9,730,500 B1 *	8/2017	Provost	A45D 27/29
D872,725 S *	1/2020	Lindof	D14/253
2018/0356078 A1 *	12/2018	Rolf	F21V 33/0056

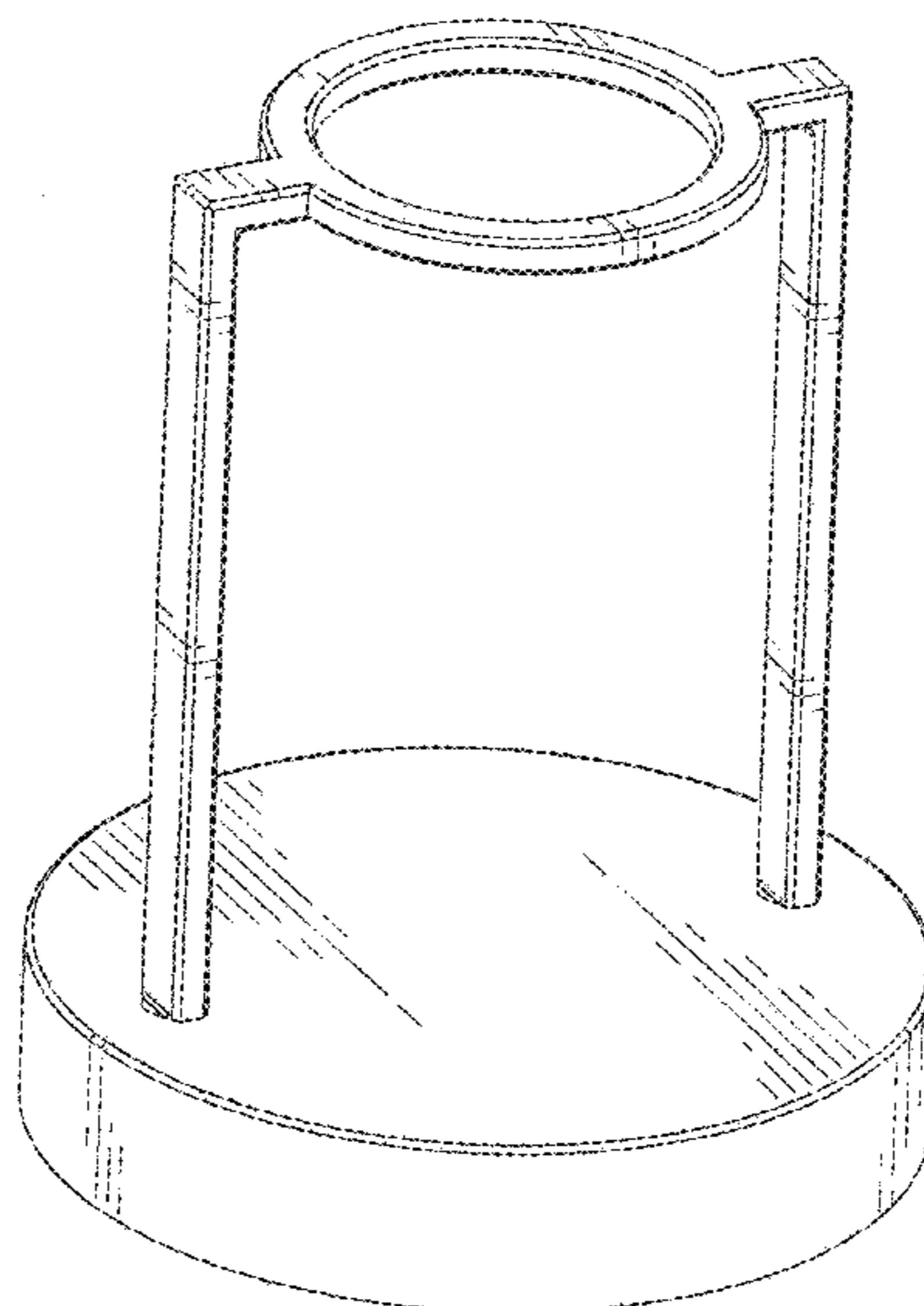
(57) **CLAIM**

The ornamental design for an electric toothbrush charger, as shown and described.

DESCRIPTION

FIG. 1 is a top, front, left side perspective view of an electric toothbrush charger, showing my new design;
 FIG. 2 is a front elevational view thereof;
 FIG. 3 is a rear elevational view thereof;
 FIG. 4 is a left side elevational view thereof;
 FIG. 5 is a right side elevational view thereof;
 FIG. 6 is a top plan view thereof; and,
 FIG. 7 is a bottom plan view thereof.
 The broken lines in the drawings depict portions of the electric toothbrush charger that form no part of the claimed design.

1 Claim, 7 Drawing Sheets



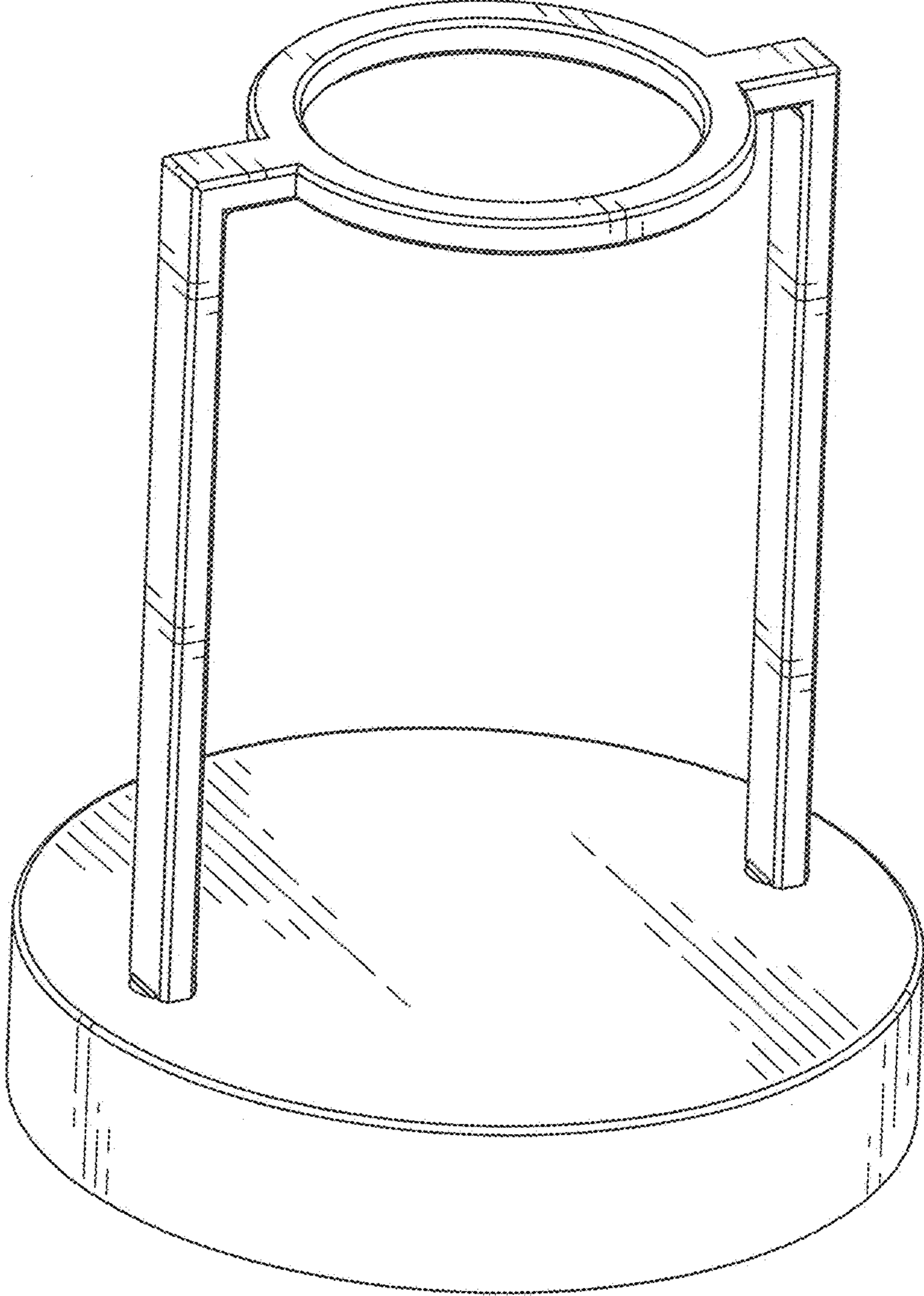


FIG.1

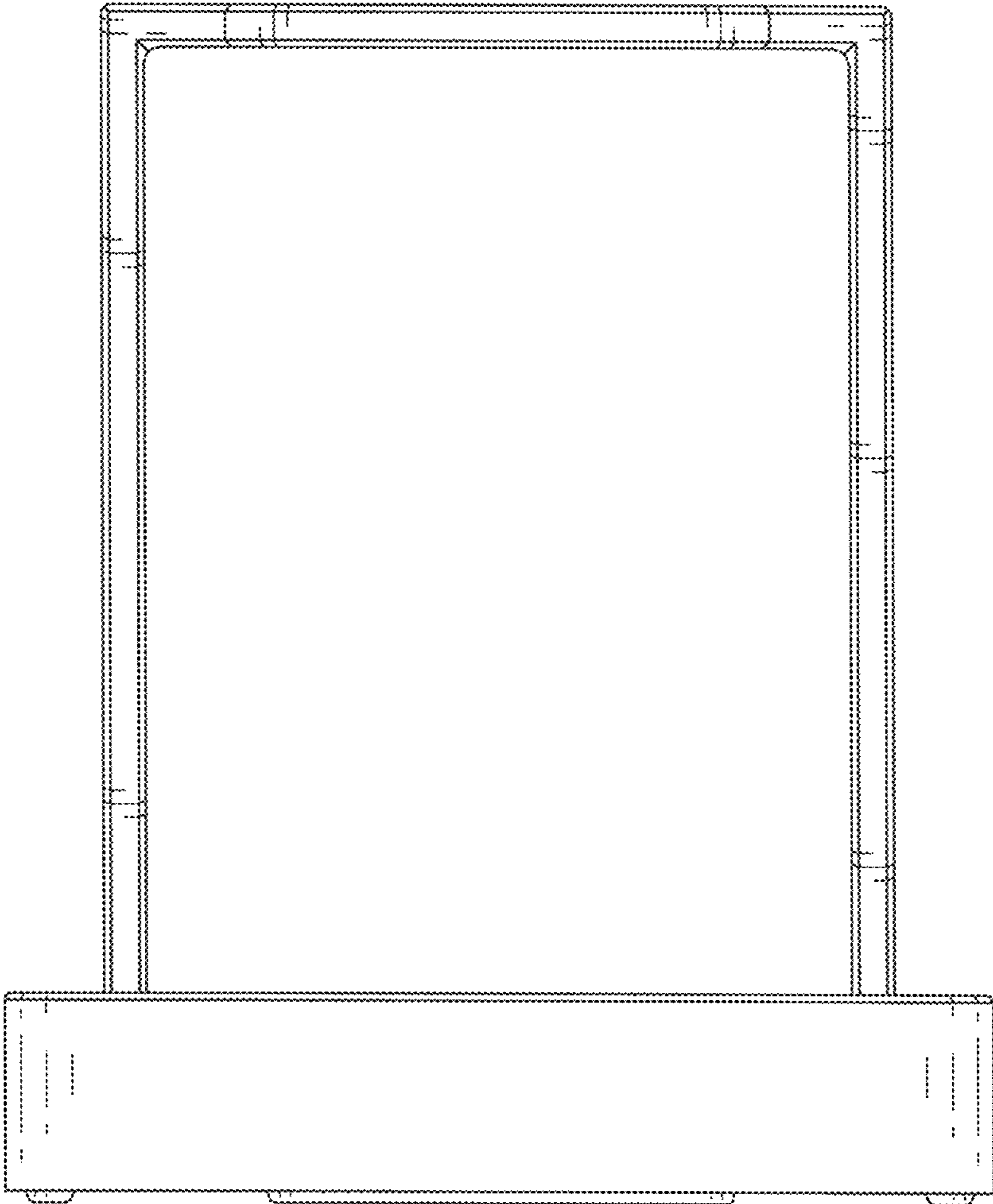


FIG.2

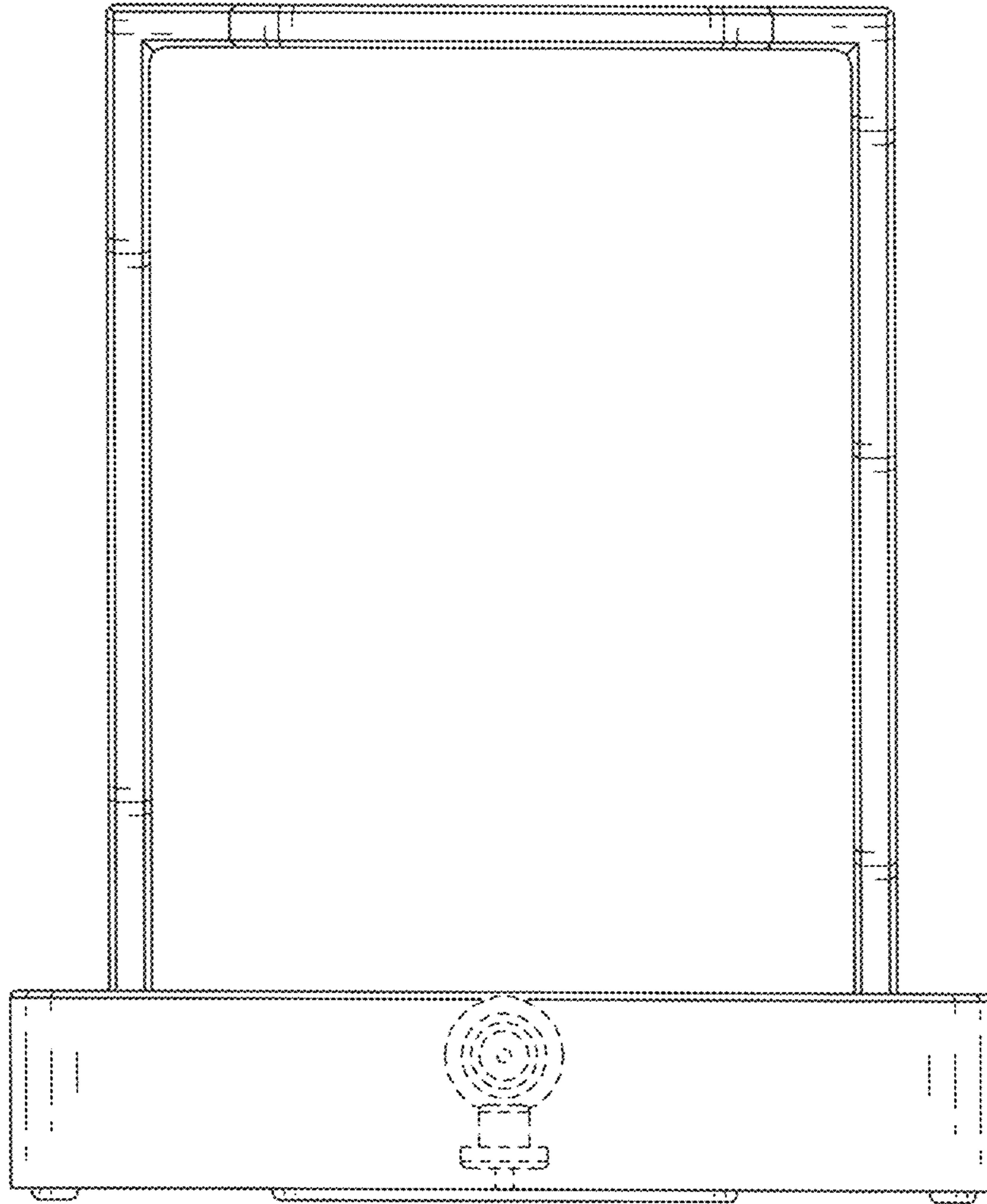


FIG.3

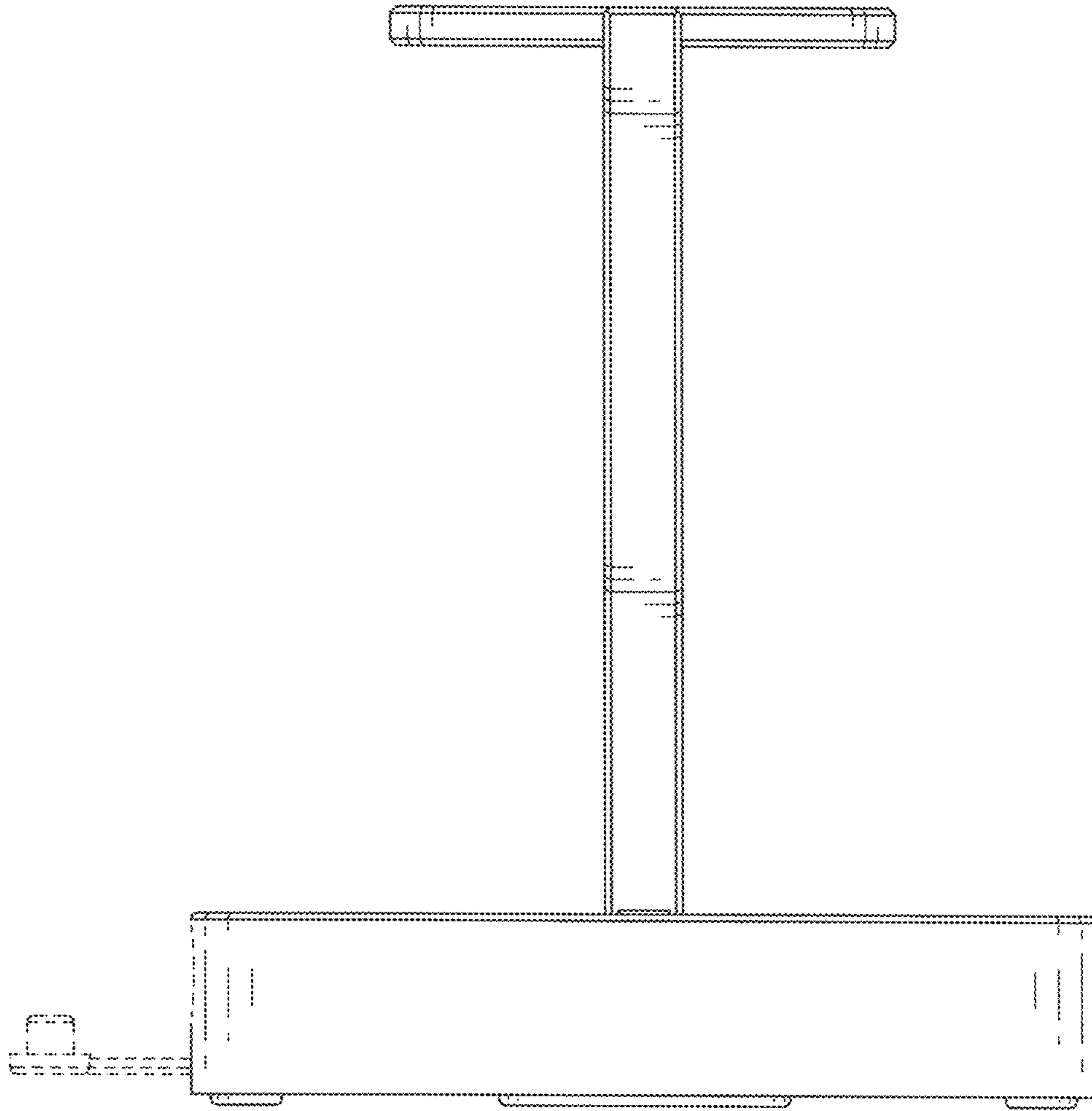


FIG.4

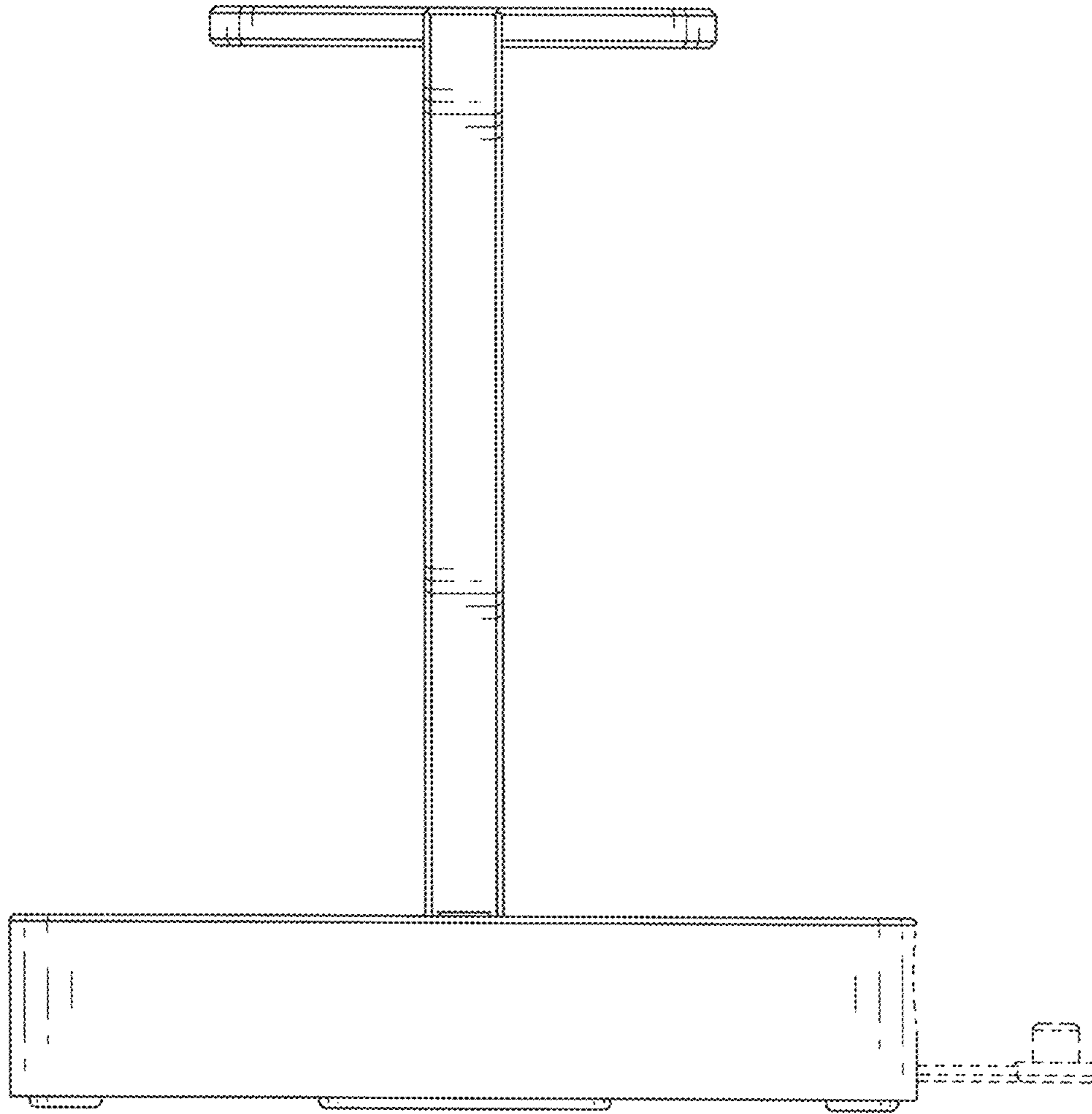


FIG.5

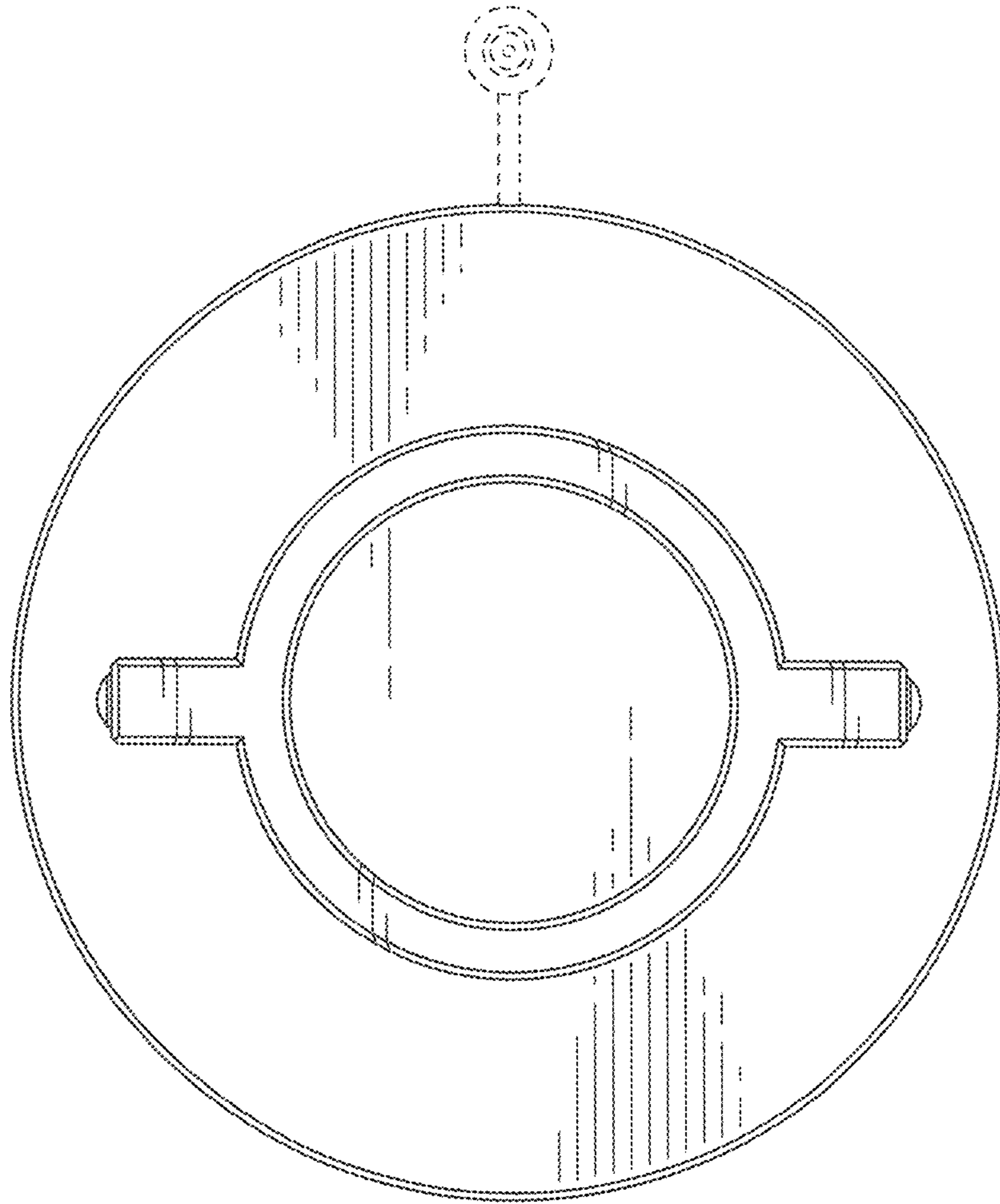


FIG.6

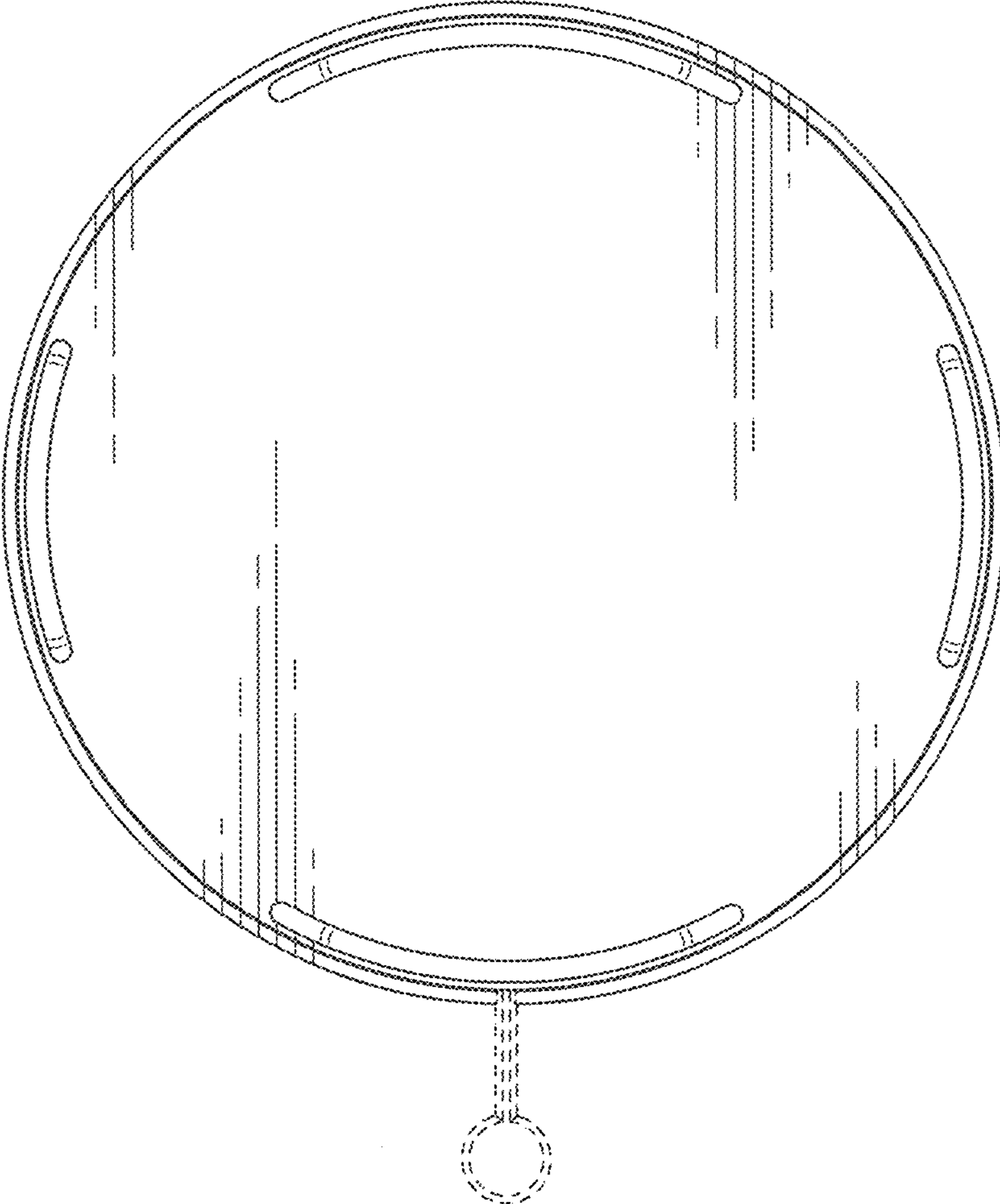


FIG.7