



US00D923565S

(12) **United States Design Patent** (10) **Patent No.:** **US D923,565 S**
Zeng (45) **Date of Patent:** **** Jun. 29, 2021**

- (54) **CHARGING STATION**
- (71) Applicant: **GN AUDIO A/S**, Ballerup (DK)
- (72) Inventor: **Bill Zeng**, Xiamen (CN)
- (73) Assignee: **GN AUDIO A/S**, Ballerup (DK)
- (**) Term: **15 Years**
- (21) Appl. No.: **29/687,958**
- (22) Filed: **Apr. 17, 2019**

D674,336 S *	1/2013	Suzuka	D13/108
D675,155 S *	1/2013	Smith	D13/108
D684,145 S	6/2013	Rath		
D772,216 S *	11/2016	Lau	D14/253
D772,812 S *	11/2016	Choe	D13/108
D812,564 S *	3/2018	Feng	D13/108
D815,594 S *	4/2018	Chen	D13/108
D835,078 S *	12/2018	Yun	D14/224
D835,611 S *	12/2018	Yun	D14/224

(Continued)

Primary Examiner — Rosemary K Tarcza
(74) *Attorney, Agent, or Firm* — Hamre, Schumann, Mueller & Larson, P.C.

Related U.S. Application Data

- (62) Division of application No. 29/598,884, filed on Mar. 29, 2017, now Pat. No. Des. 870,038.
- (51) **LOC (13) Cl.** **13-02**
- (52) **U.S. Cl.**
USPC **D13/108**
- (58) **Field of Classification Search**
USPC D13/103, 107–110, 118–119, 184, 199;
D14/251, 253, 432, 434
CPC .. H02J 50/00; H02J 50/10; H02J 50/12; H02J
50/80; H02J 7/025; H02J 7/005; H02J
7/0026; H02J 7/0042; H02J 7/0044; H02J
7/0045; H02J 7/0013; H02J 7/0003; H02J
50/40; H02J 50/402; H02J 7/007; H02J
7/0027
See application file for complete search history.

(56) **References Cited**

U.S. PATENT DOCUMENTS

D442,141 S *	5/2001	Ikenaga	D13/107
D471,906 S *	3/2003	Salazar	D13/108
D489,325 S *	5/2004	Nakamura	D13/110
D507,526 S *	7/2005	Ohta	D13/108
D520,013 S *	5/2006	Yang	D14/434
D523,847 S *	6/2006	Naruki	D13/108
D607,817 S *	1/2010	Tan	D13/108
D642,519 S *	8/2011	Woo	D13/108

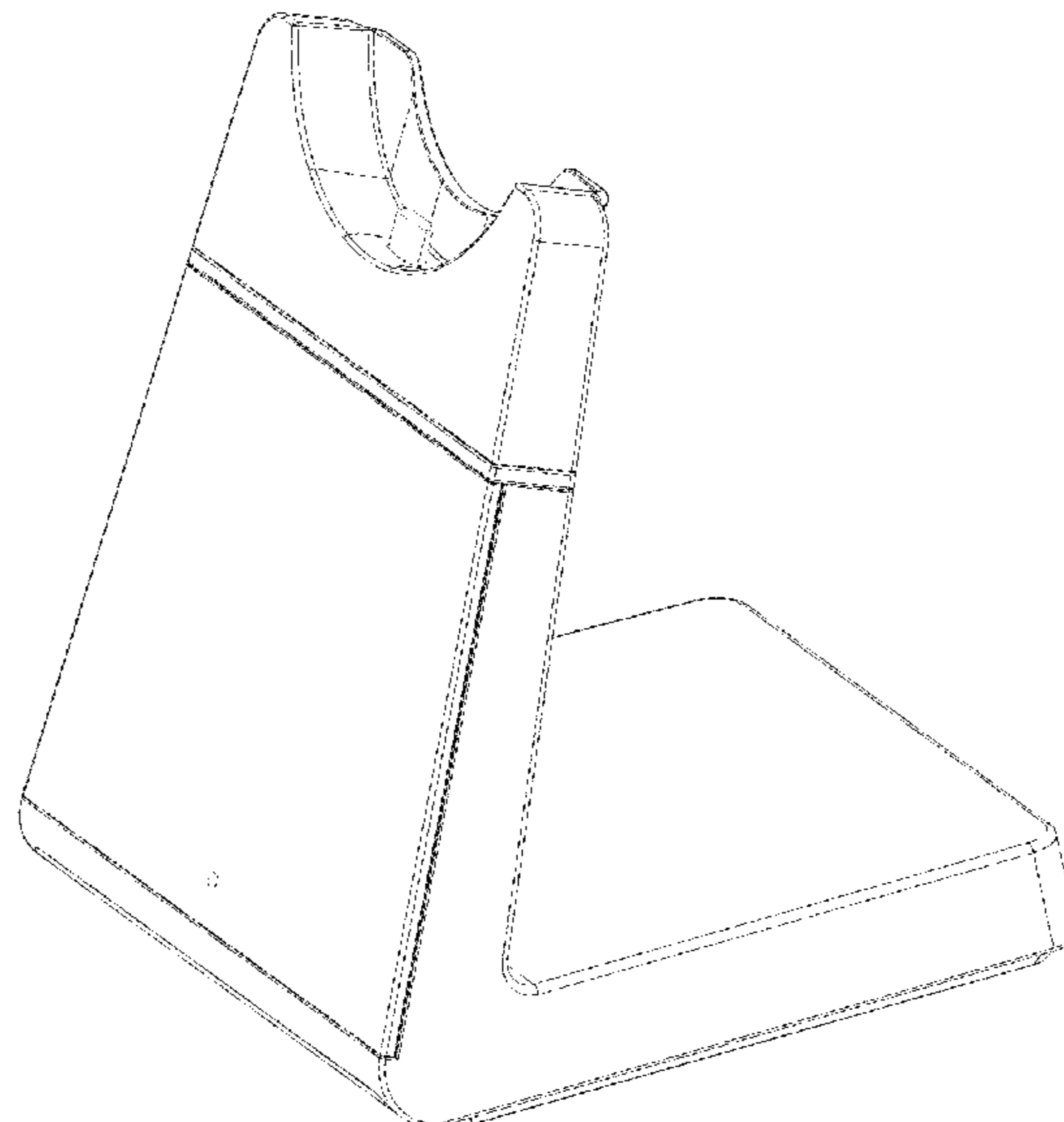
(57) **CLAIM**

The ornamental design for a charging station, as shown and described.

DESCRIPTION

FIG. 1 is a front perspective view of a charging station design.
 FIG. 2 is a back perspective view FIG. 1 thereof.
 FIG. 3 is a front planar view of FIG. 1 thereof.
 FIG. 4 is a back planar view of FIG. 1 thereof.
 FIG. 5 is a right side planar view of FIG. 1 thereof.
 FIG. 6 is a left side planar view of FIG. 1 thereof.
 FIG. 7 is a top planar view of FIG. 1 thereof.
 FIG. 8 is a bottom planar view of FIG. 1 thereof.
 FIG. 9 is a front perspective view of a charging station design.
 FIG. 10 is a back perspective view FIG. 9 thereof.
 FIG. 11 is a front planar view of FIG. 9 thereof.
 FIG. 12 is a back planar view of FIG. 9 thereof.
 FIG. 13 is a right side planar view of FIG. 9 thereof.
 FIG. 14 is a left side planar view of FIG. 9 thereof.
 FIG. 15 is a top planar view of FIG. 9 thereof; and,
 FIG. 16 is a bottom planar view of FIG. 9 thereof.
 The features shown in broken lines depict portions of the charging station that form no part of the claimed design.

1 Claim, 16 Drawing Sheets



(56)

References Cited

U.S. PATENT DOCUMENTS

D845,896 S	*	4/2019	Hu	D13/108
D868,691 S	*	12/2019	Sun	D13/108
D870,038 S	*	12/2019	Zeng	D13/108

* cited by examiner

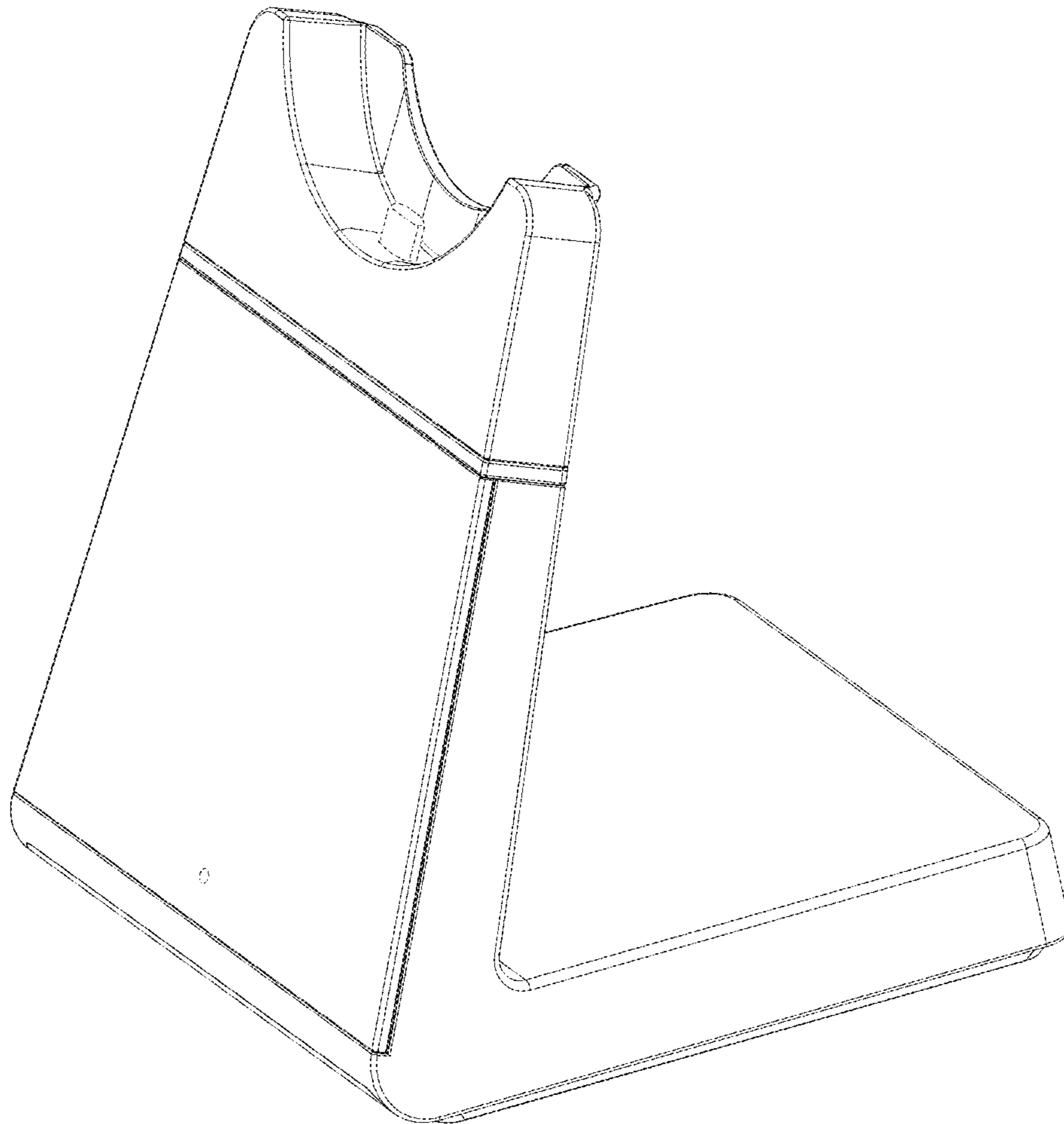


FIG. 1

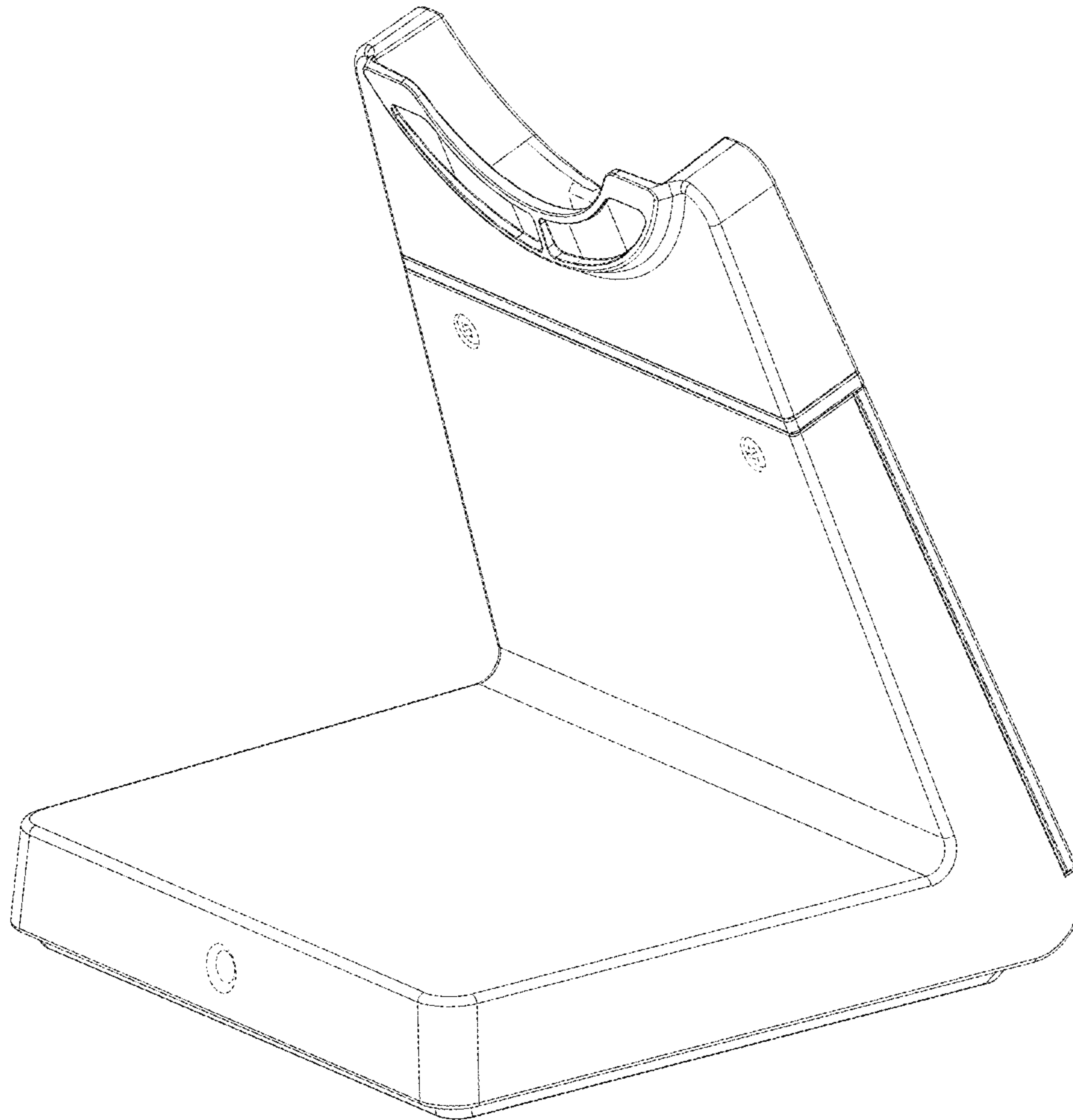


FIG. 2

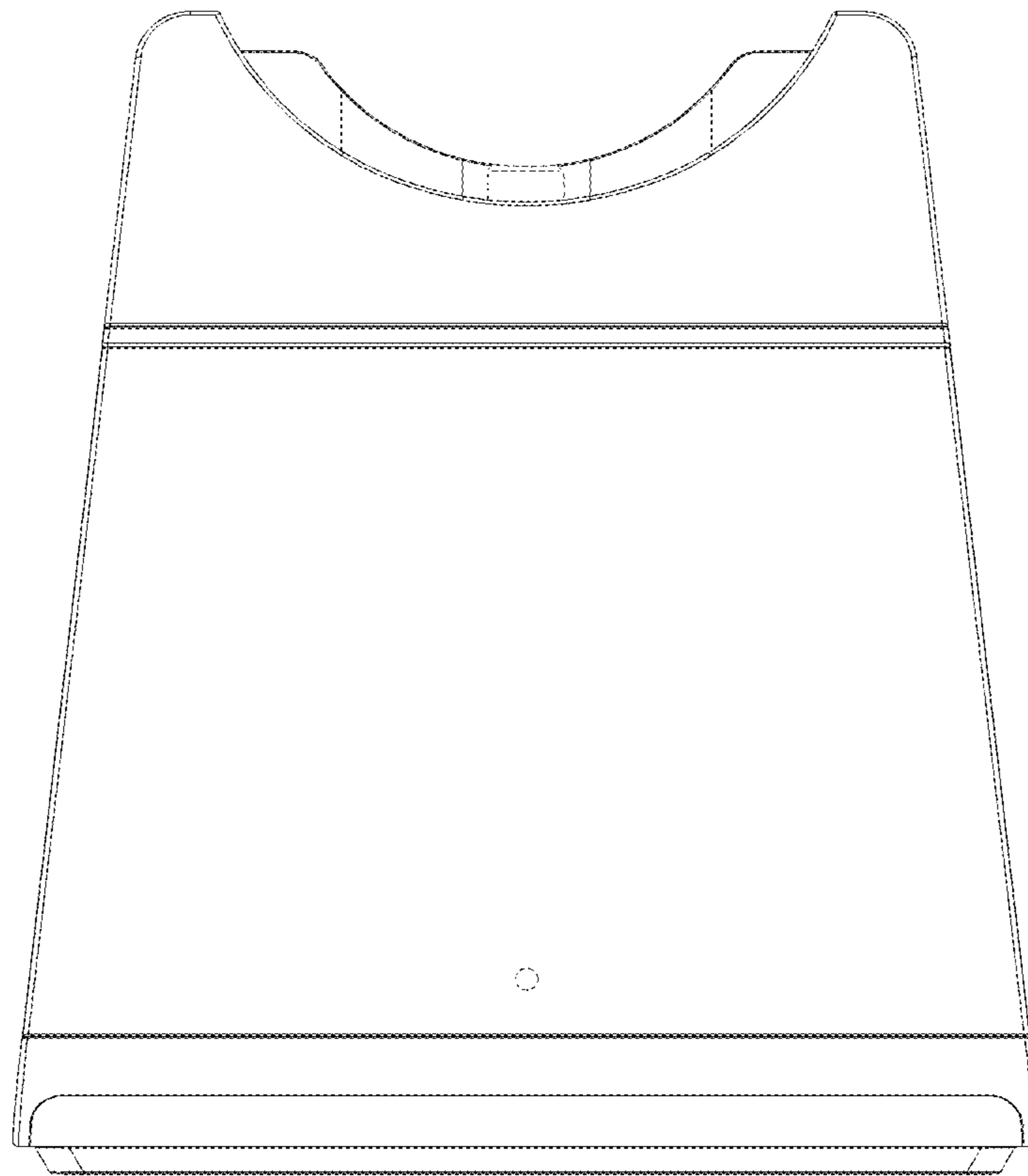


FIG. 3

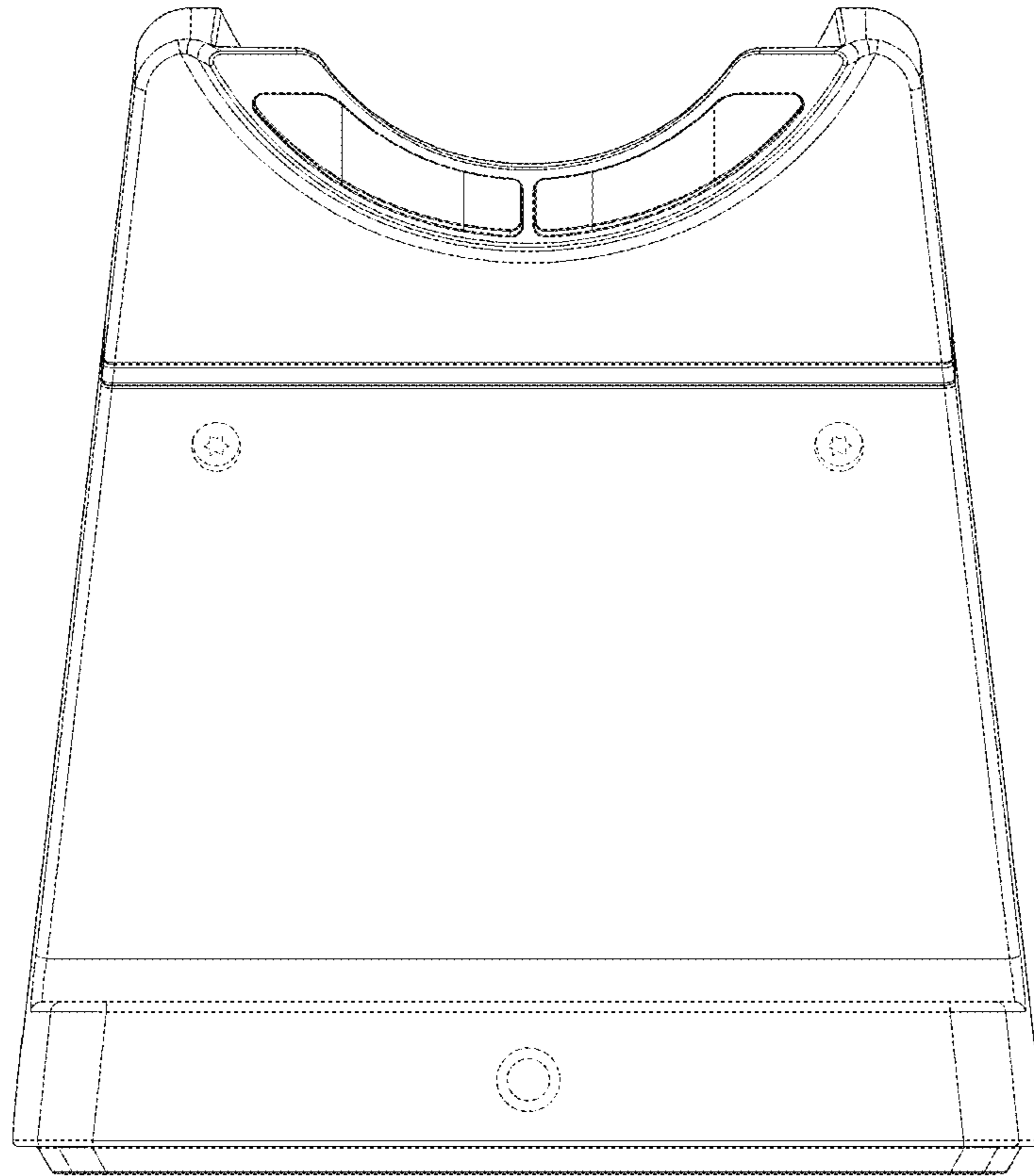


FIG. 4

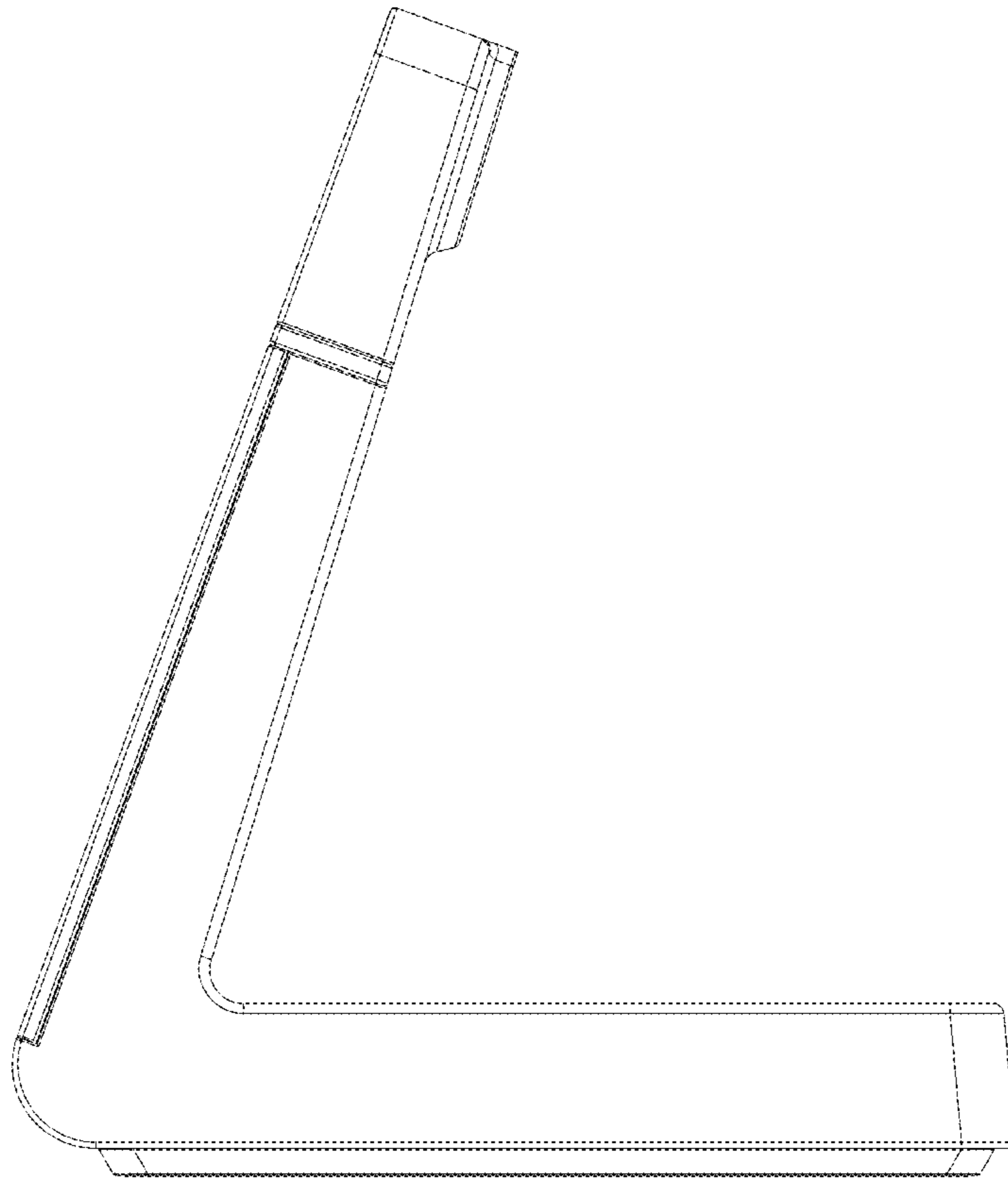


FIG. 5

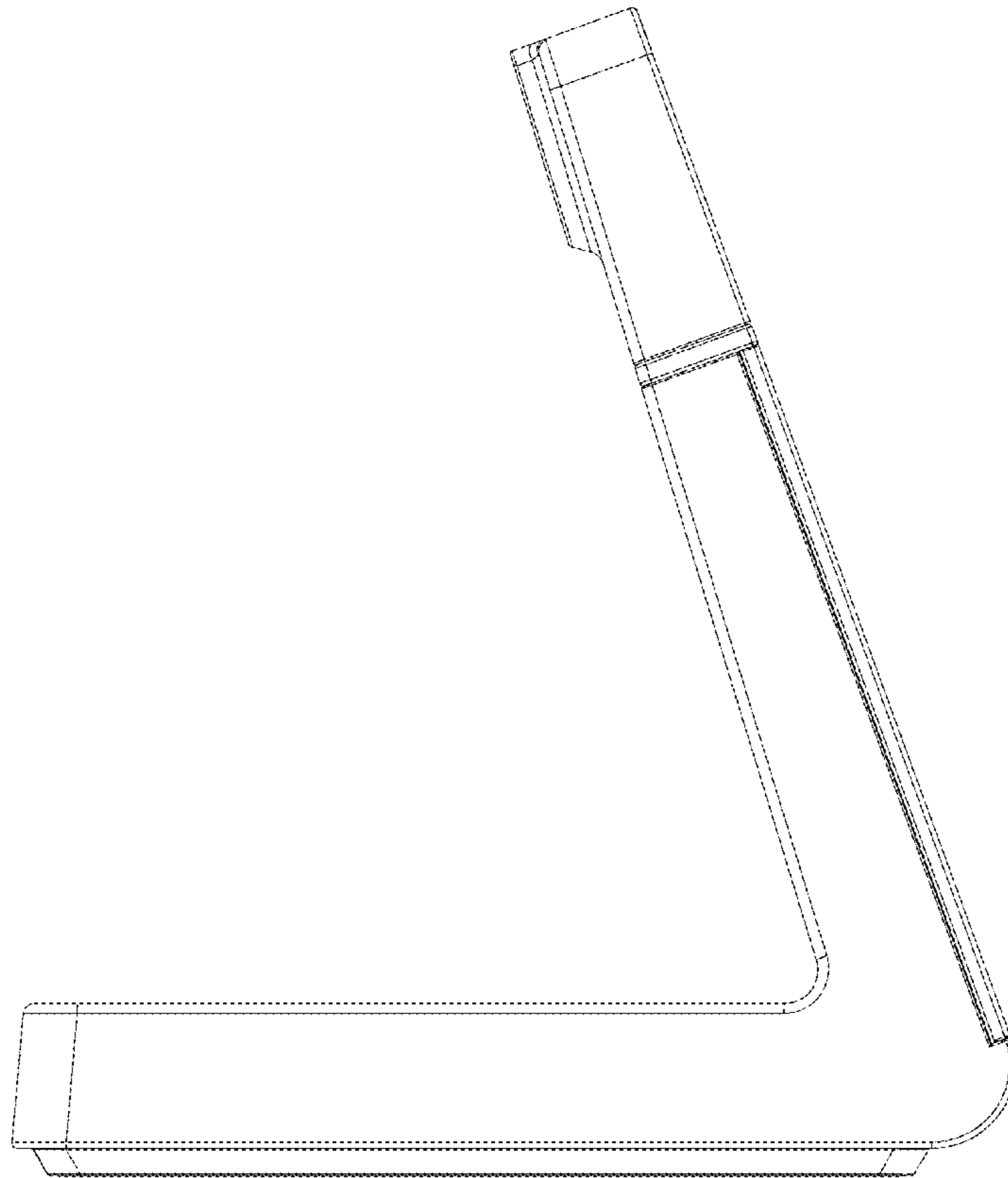


FIG. 6

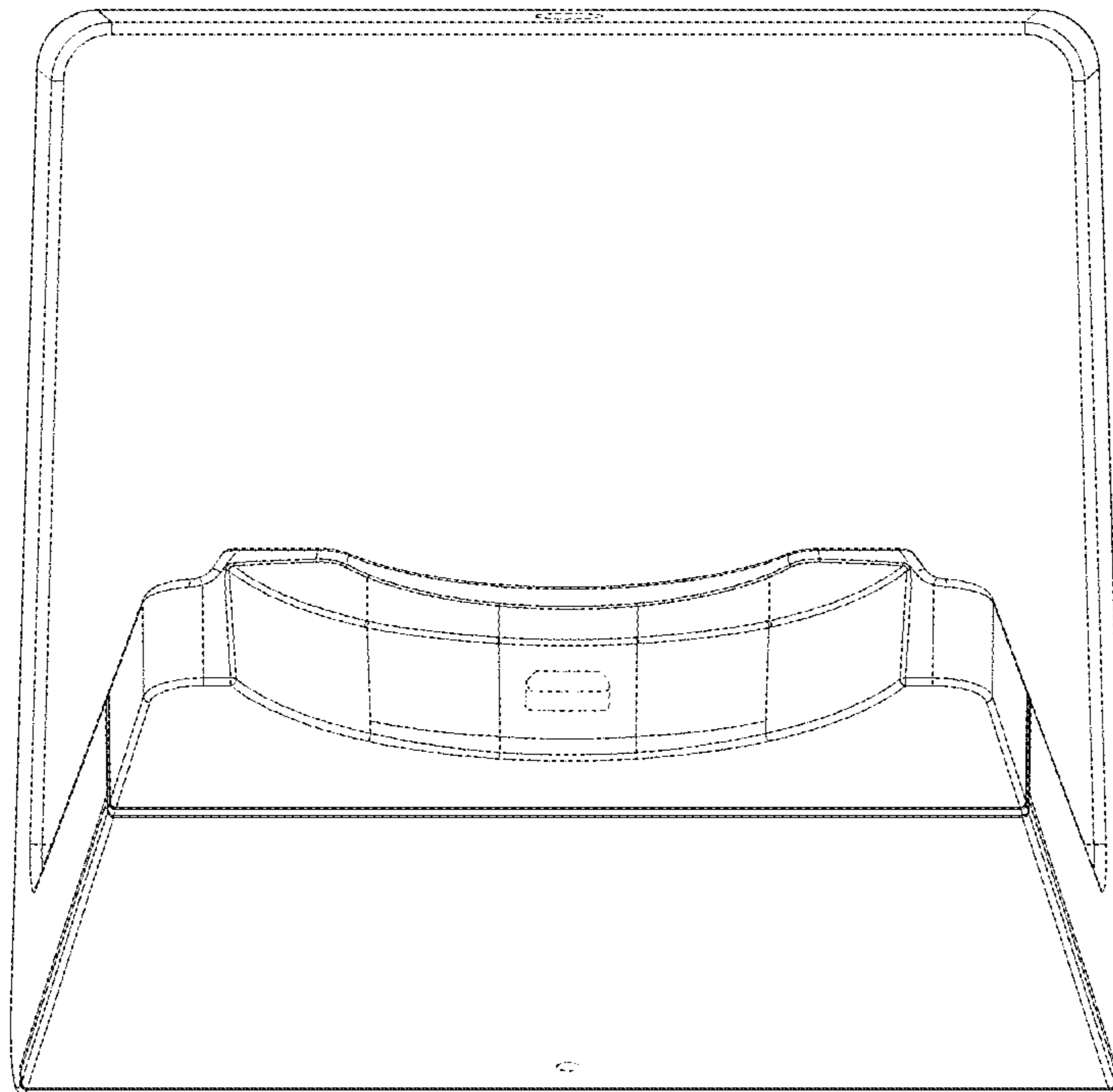


FIG. 7

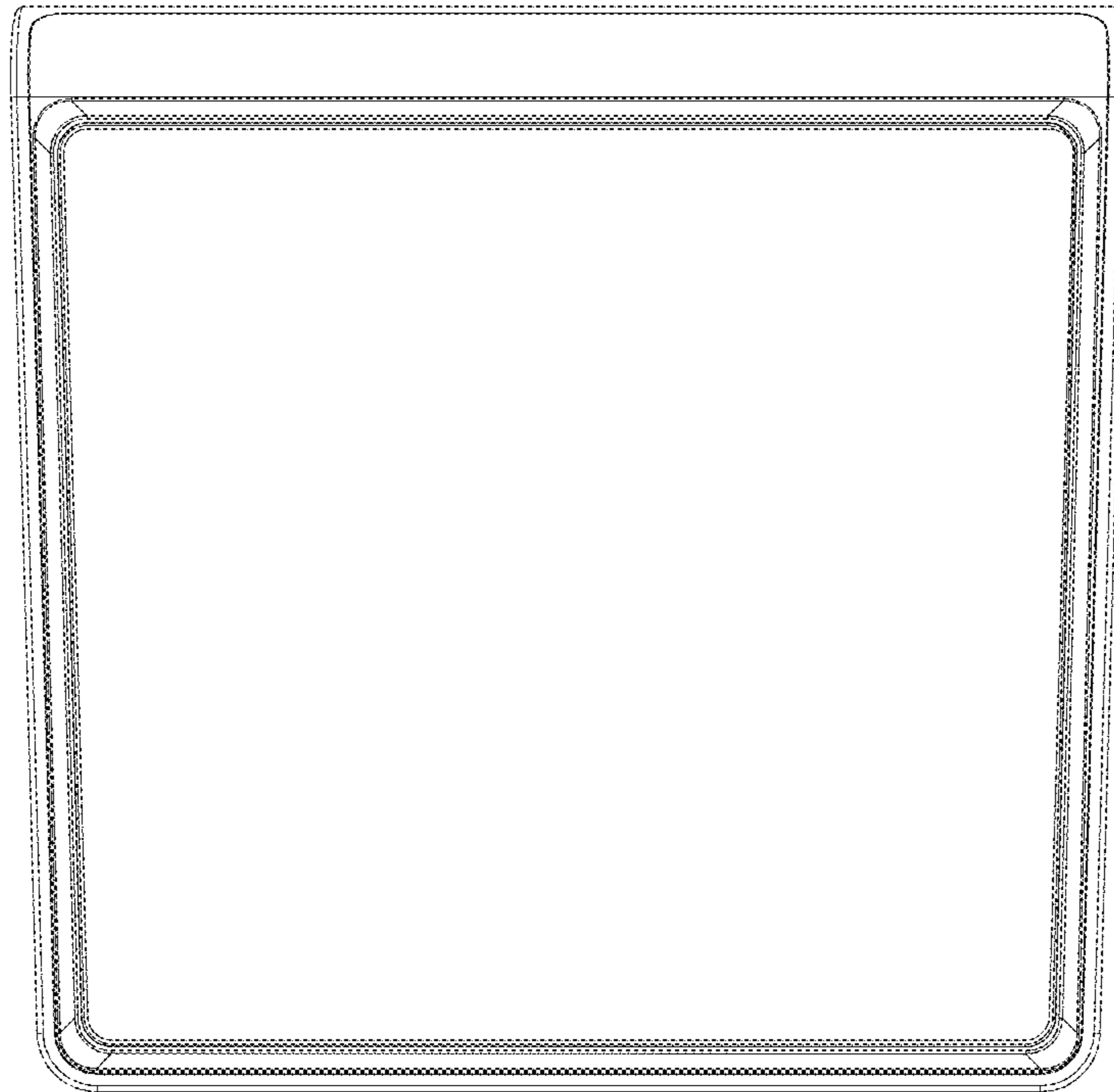


FIG. 8

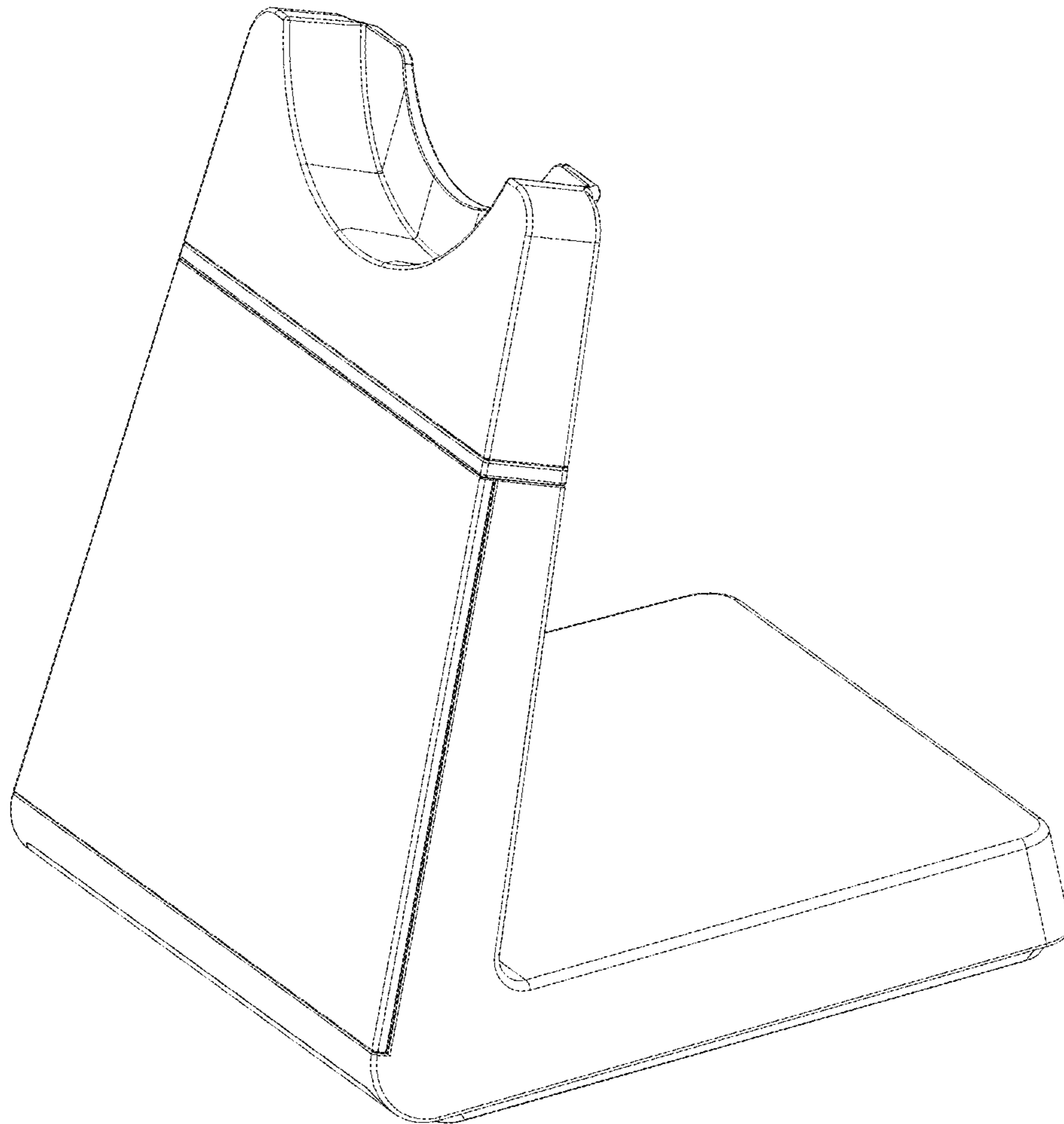


FIG. 9

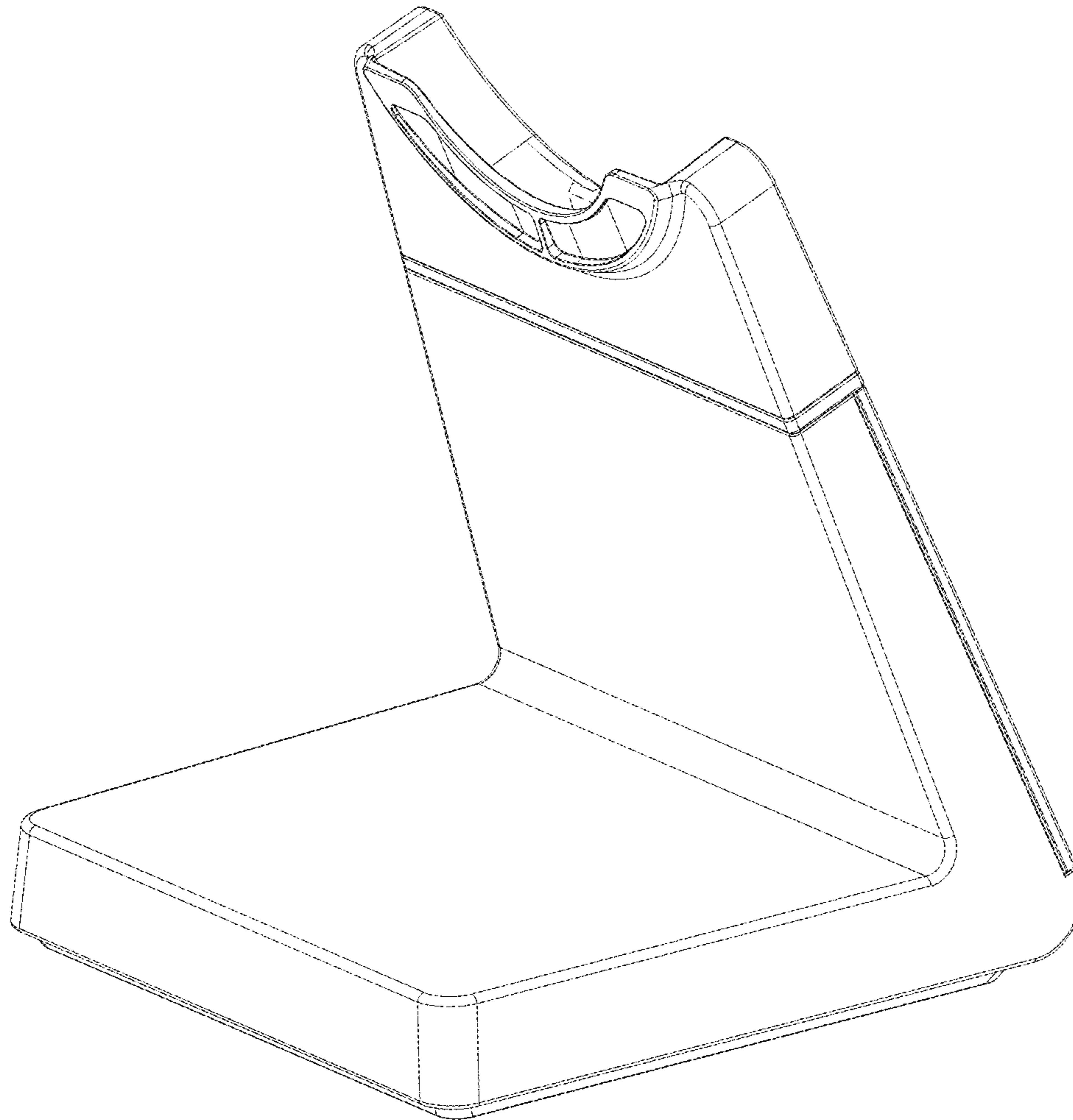


FIG. 10

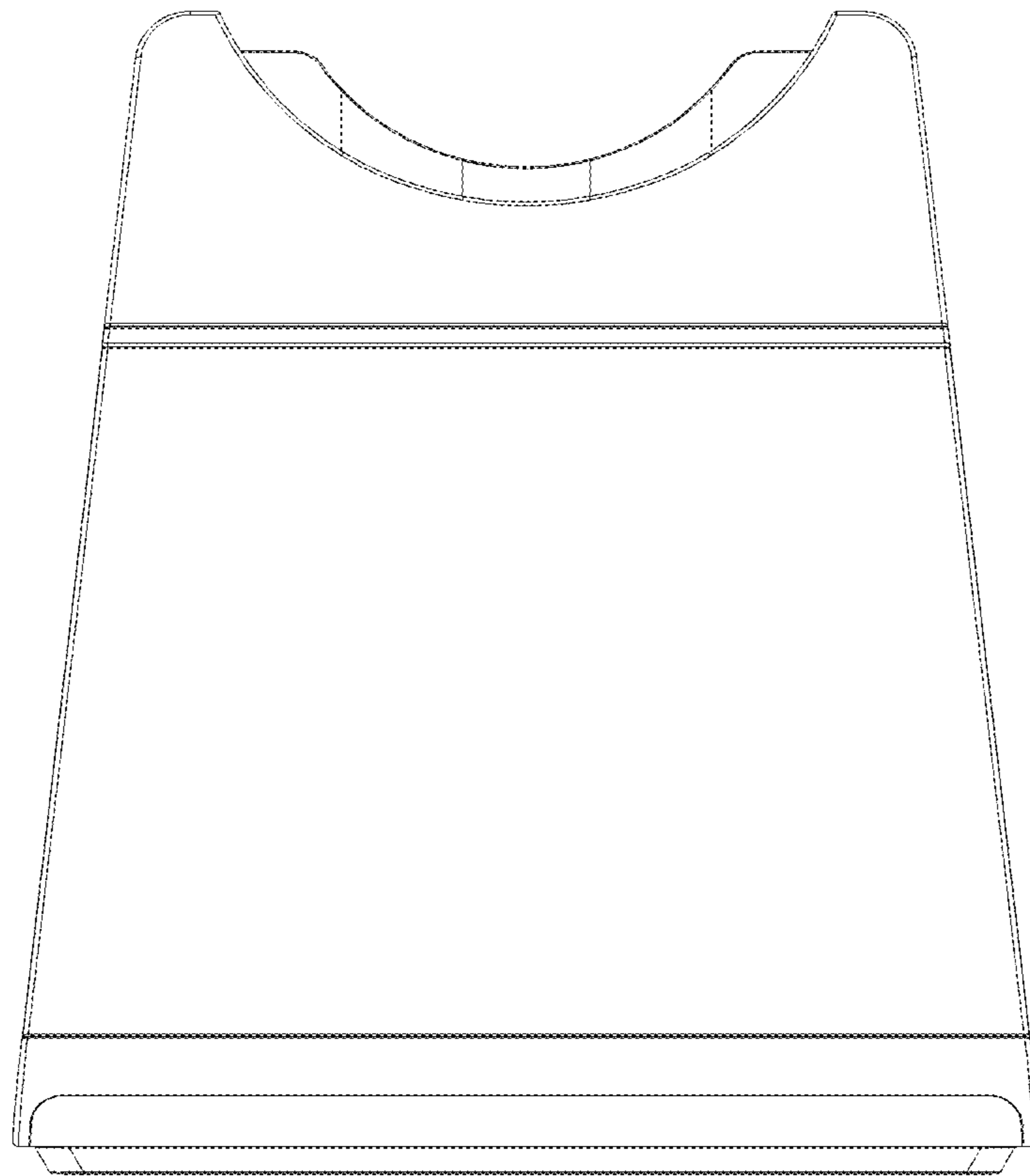


FIG. 11

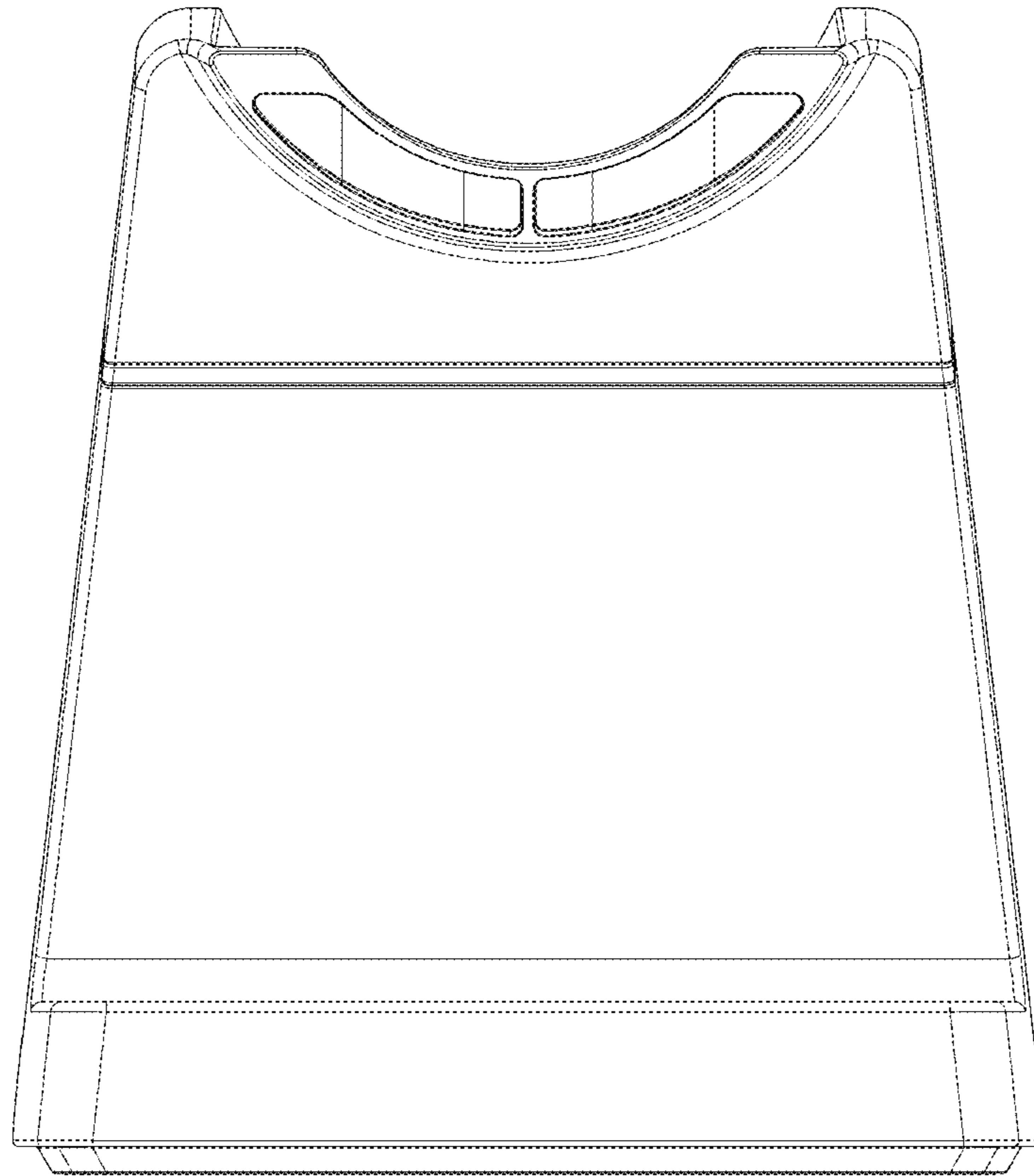


FIG. 12

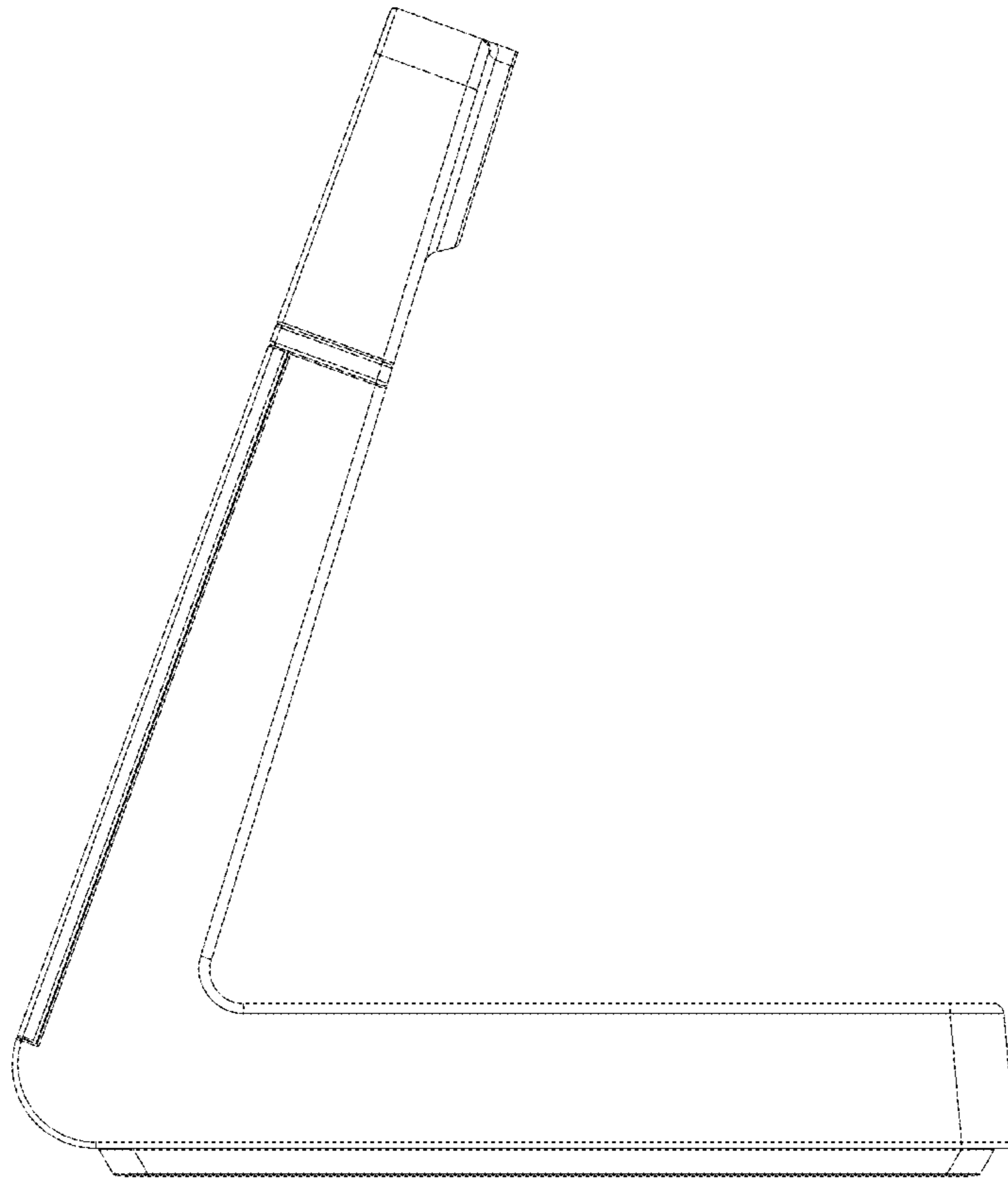


FIG. 13

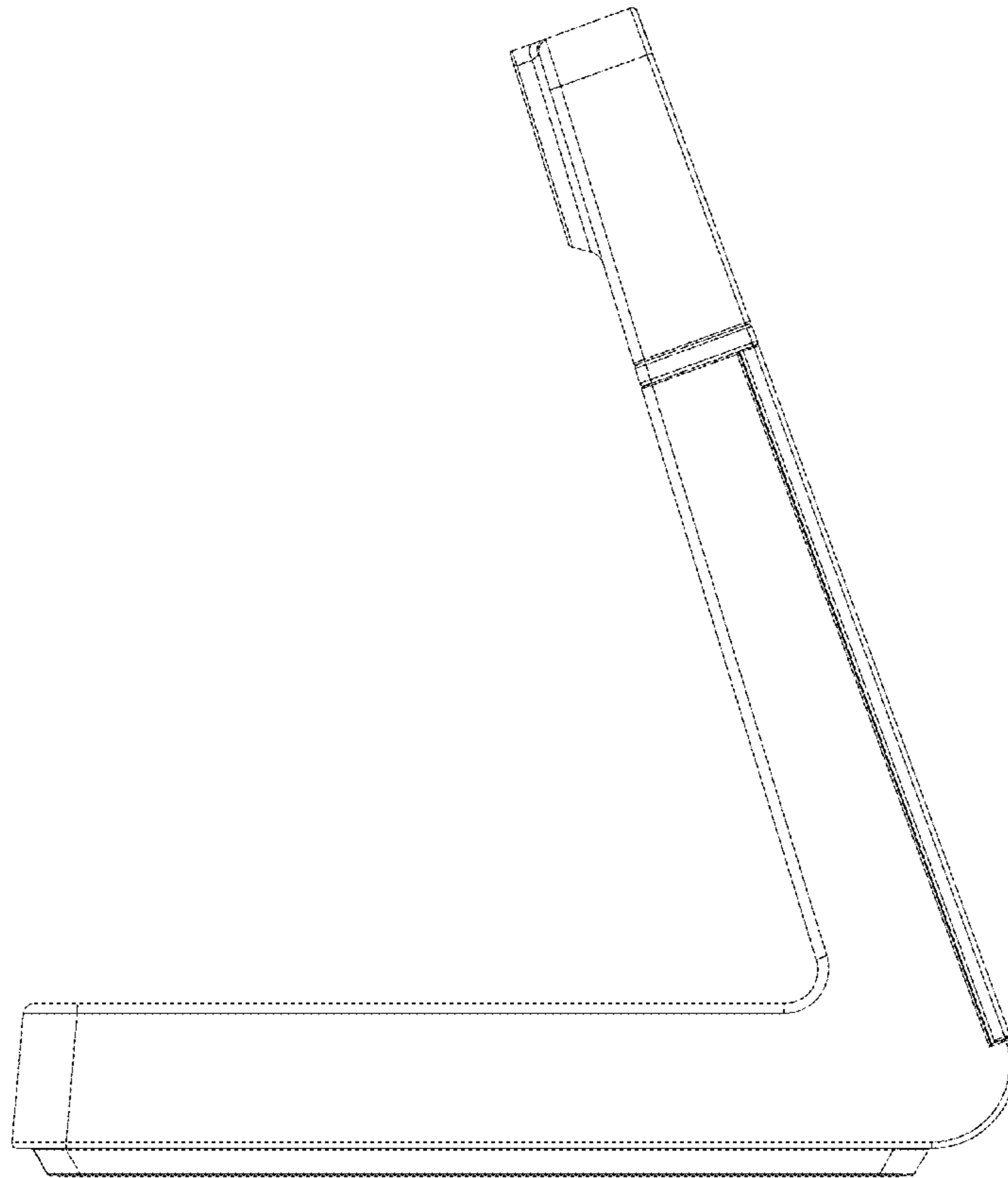


FIG. 14

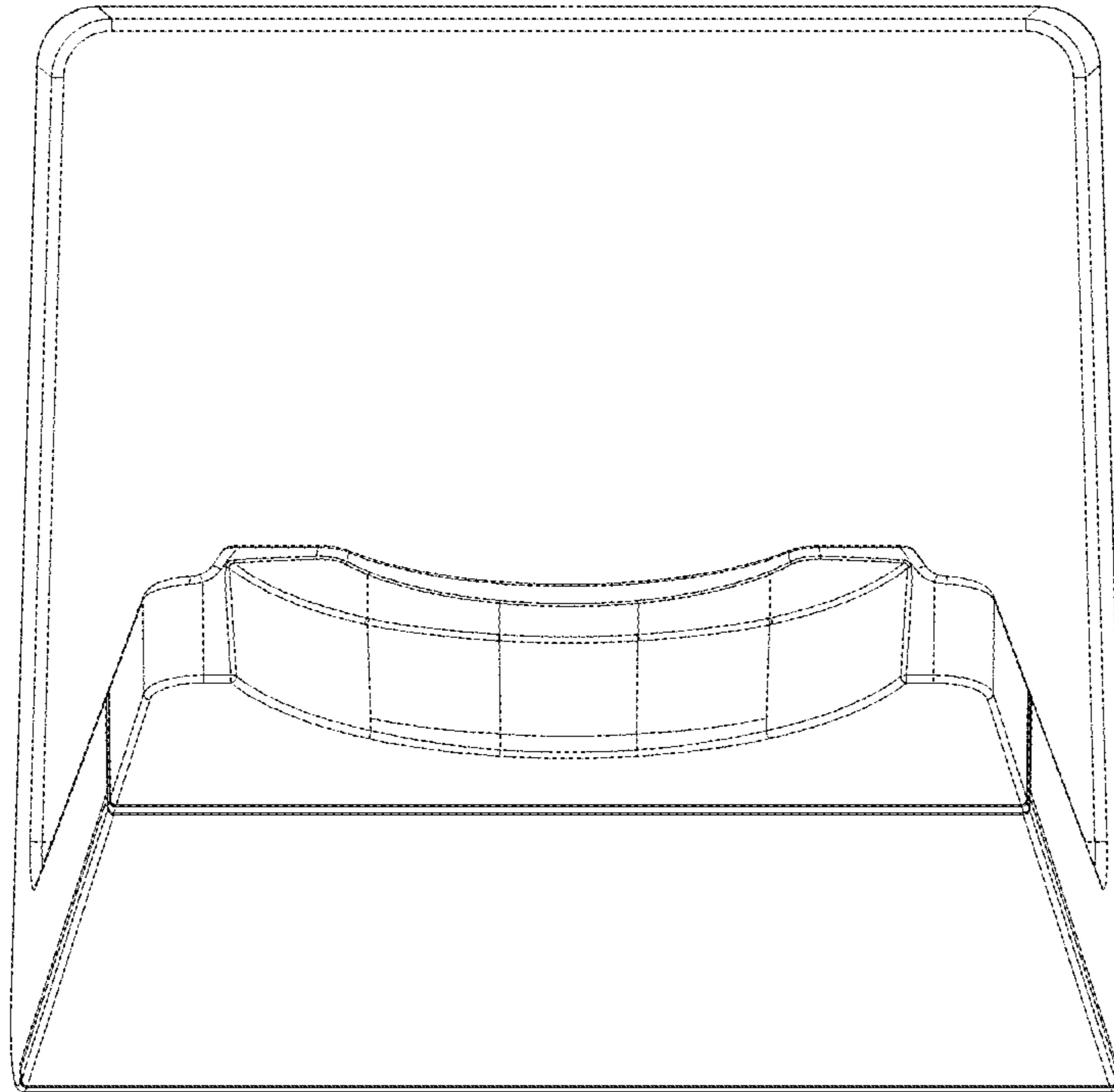


FIG. 15

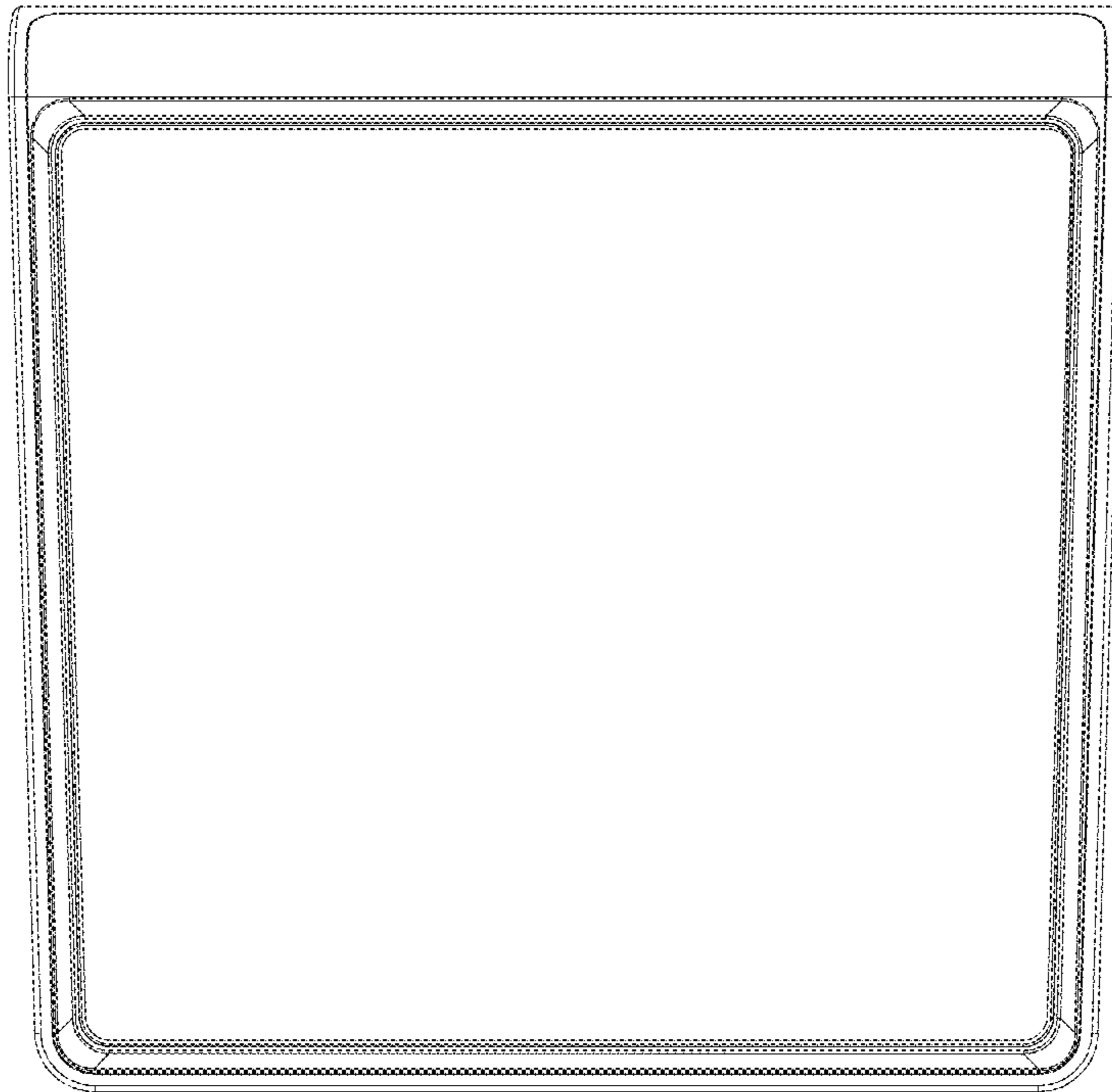


FIG. 16