



US00D923563S

(12) **United States Design Patent** (10) **Patent No.:** **US D923,563 S**  
**Reitenbach et al.** (45) **Date of Patent:** **\*\* Jun. 29, 2021**

(54) **APPARATUS FOR CHARGING ACCUMULATORS**

(71) Applicant: **Dr. Ing. h.c. F. Porsche Aktiengesellschaft**, Stuttgart (DE)  
(72) Inventors: **Roland Reitenbach**, Maishofen (DE); **Jari Rönfanz**, Stuttgart (DE); **Jens Knoll**, Ludwigsburg (DE); **Stefan Götz**, Forstern (DE); **David Köhler**, Bietigheim-Bissingen (DE); **Volker Reber**, Michelbach an der Bilz (DE); **Michael Kiefer**, Stuttgart (DE)

(73) Assignee: **Dr. Ing. h.c. F. Porsche Aktiengesellschaft**

(\*\*) Term: **15 Years**

(21) Appl. No.: **29/707,817**

(22) Filed: **Oct. 1, 2019**

**Related U.S. Application Data**

(63) Continuation of application No. 29/616,731, filed on Sep. 8, 2017, now abandoned.

(30) **Foreign Application Priority Data**

Mar. 10, 2017 (DE) ..... 402017100296.5

(51) **LOC (13) Cl.** ..... **13-02**

(52) **U.S. Cl.**  
USPC ..... **D13/107**

(58) **Field of Classification Search**  
USPC ..... D13/107, 110, 123, 101, 108, 118, 133, D13/162, 184, 199; D15/148, 199; D20/9

CPC . Y10S 903/903; Y10S 903/907; Y10S 903/96  
See application file for complete search history.

(56) **References Cited**

U.S. PATENT DOCUMENTS

D641,316 S	7/2011	Schneiderat	
D641,317 S	7/2011	Schneiderat	
D659,090 S	5/2012	deRoo	
D664,086 S	7/2012	Chin-Ho Kim	
D664,089 S	7/2012	Chin-Ho Kim	
D710,799 S	8/2014	Chin-Ho Kim	
D729,158 S	5/2015	Gilomen	
D777,101 S	1/2017	Shimada	
D791,073 S	7/2017	Kim	
D858,435 S *	9/2019	Helnerus	D13/107
D873,768 S *	1/2020	Minkyoo	D13/107
D876,342 S *	2/2020	Mercer	D13/107
D876,343 S *	2/2020	Mercer	D13/107

(Continued)

*Primary Examiner* — Bridget L Eland

(74) *Attorney, Agent, or Firm* — RatnerPrestia

(57) **CLAIM**

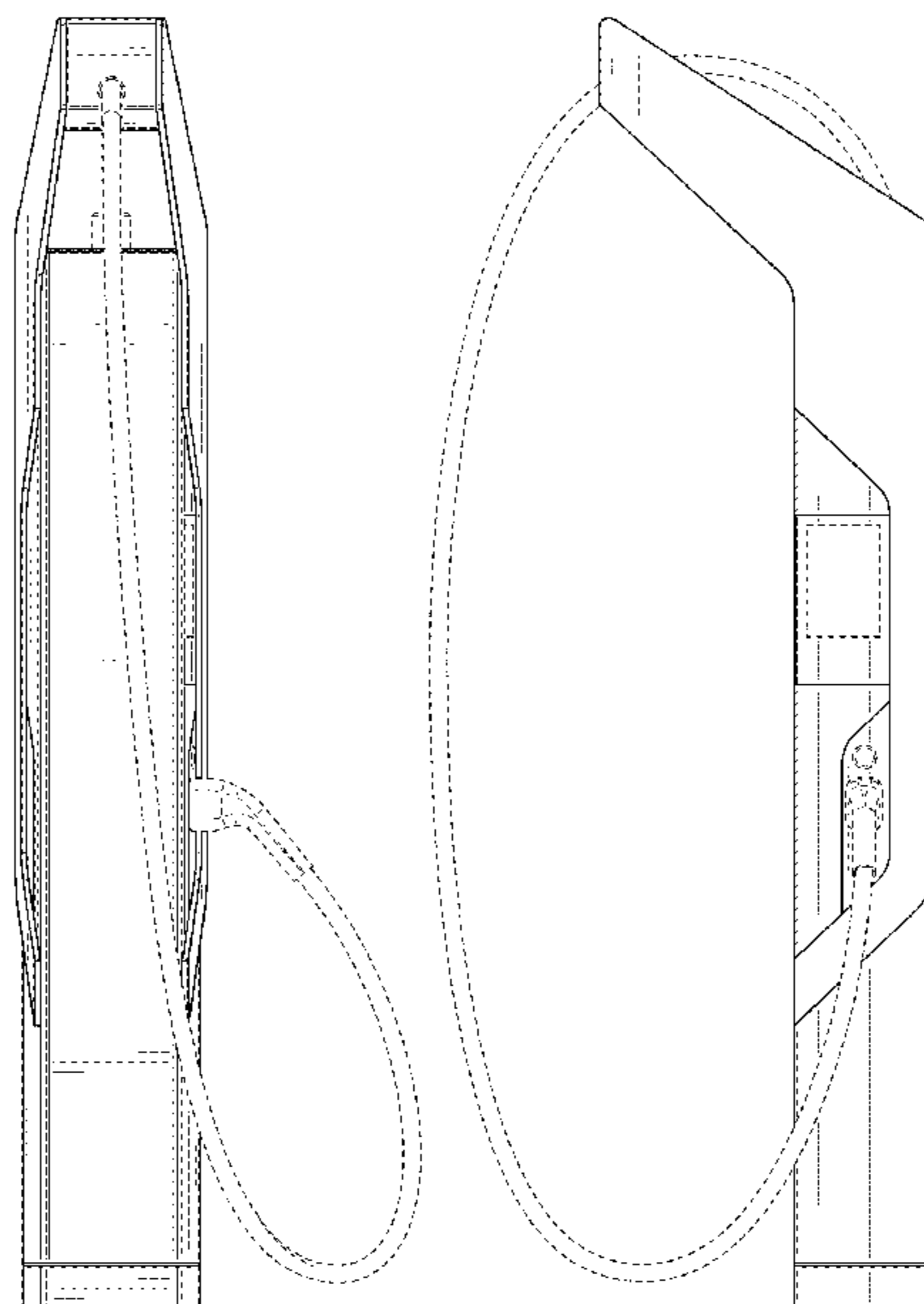
The ornamental design for an apparatus for charging accumulators, as shown and described.

**DESCRIPTION**

FIG. 1 is a front perspective view of an apparatus for charging accumulators;  
FIG. 2 is a rear perspective view thereof;  
FIG. 3 is a rear elevation view thereof;  
FIG. 4 is a front elevation view thereof;  
FIG. 5 is a right side elevation view thereof;  
FIG. 6 is a left side elevation view thereof; and,  
FIG. 7 is a top plan view thereof.

The bottom side of the apparatus is devoid of ornamentation. The broken lines immediately adjacent the shaded areas represent the bounds of the claimed design while all other broken lines are directed to environment and are for illustrative purposes only; the broken lines form no part of the claimed design.

**1 Claim, 7 Drawing Sheets**



(56)

**References Cited**

## U.S. PATENT DOCUMENTS

D876,344 S \* 2/2020 Mercer ..... D13/107  
D876,345 S \* 2/2020 Mercer ..... D13/107  
D876,346 S \* 2/2020 Mercer ..... D13/107  
10,589,631 B2 \* 3/2020 Gro ..... B60L 53/31  
D883,199 S \* 5/2020 Santander ..... D13/107  
D884,623 S \* 5/2020 Zheng ..... D13/108  
D889,397 S \* 7/2020 Bouman ..... D13/107  
D893,414 S \* 8/2020 Mercer ..... D13/107  
D907,574 S \* 1/2021 Yang ..... D13/107  
D912,619 S \* 3/2021 Visser-de Lange ..... D13/107  
D914,593 S \* 3/2021 Frerichs ..... D13/110  
RE48,500 E \* 4/2021 Mercer ..... B60L 53/00  
D13/107  
D916,010 S \* 4/2021 Gerber ..... D13/107  
2019/0016219 A1 1/2019 Gro  
2019/0016220 A1 1/2019 Köhler  
2019/0016222 A1 1/2019 Reber  
2019/0047430 A1 2/2019 Götz  
2019/0217707 A1 \* 7/2019 Reber ..... B60L 5/02  
2019/0217728 A1 \* 7/2019 Reber ..... B60L 53/16  
2020/0016992 A1 \* 1/2020 Kohler ..... G06Q 20/145

\* cited by examiner

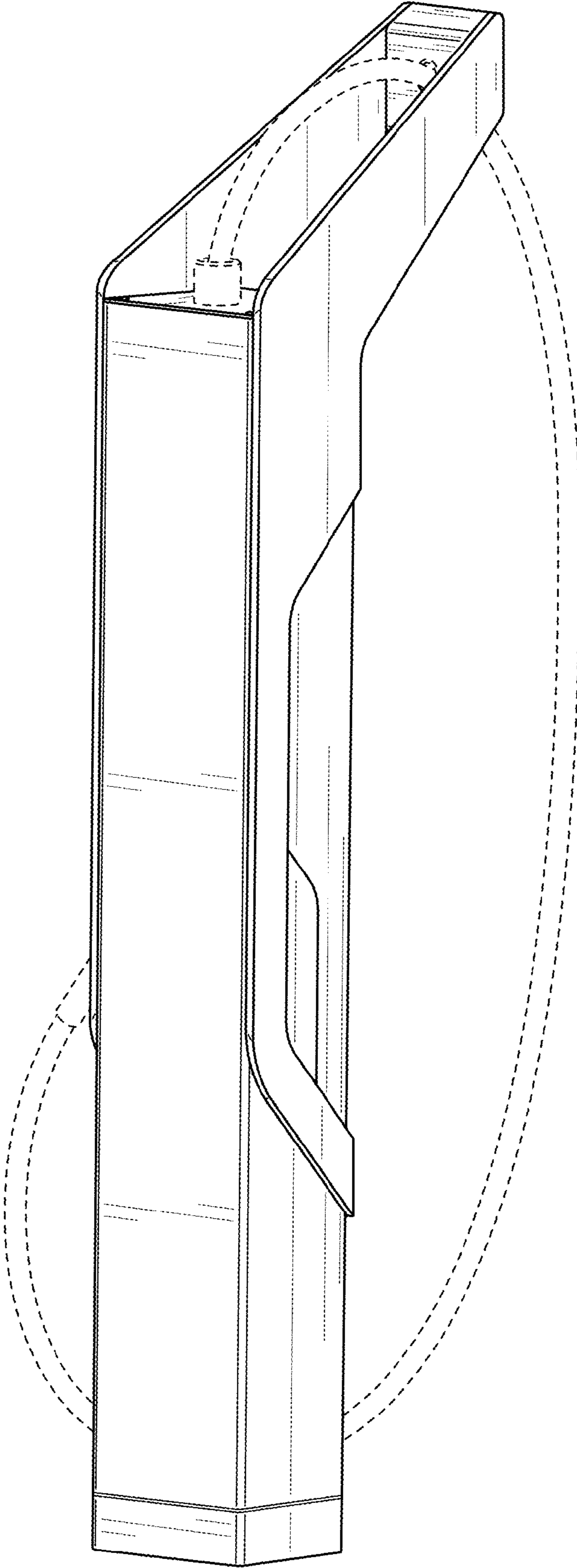


FIG. 1

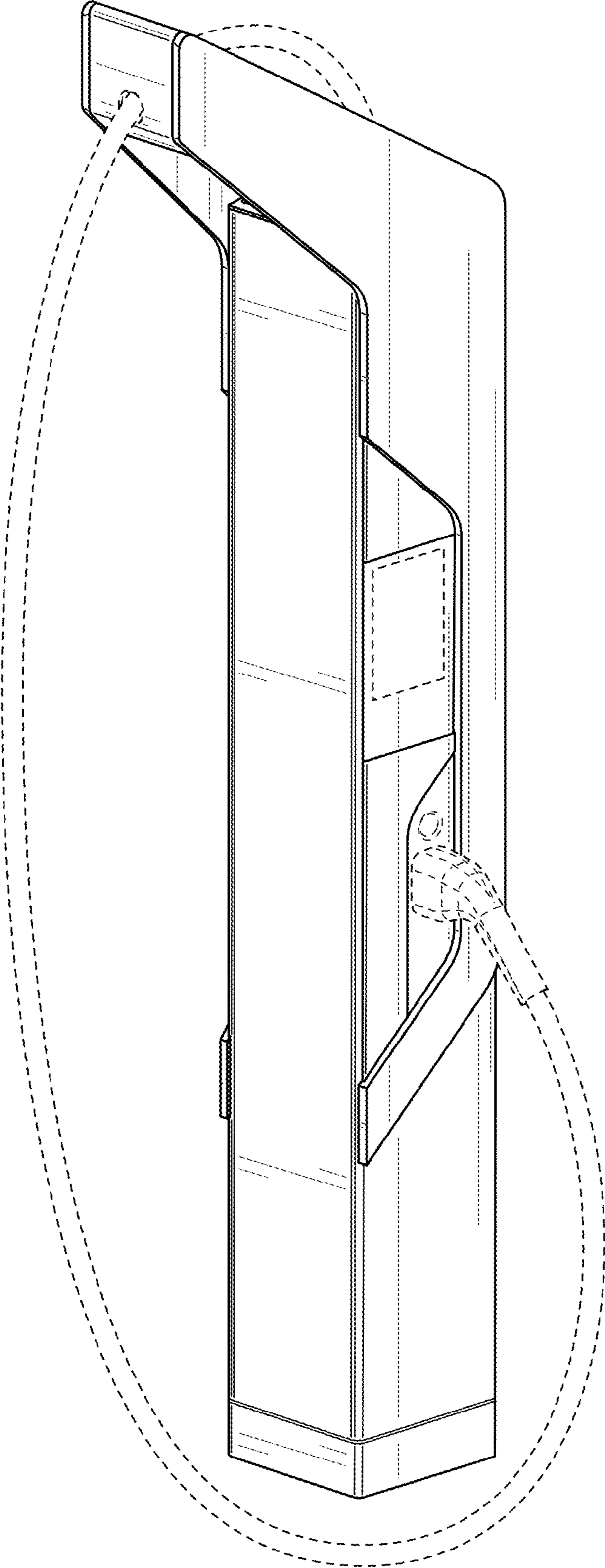


FIG. 2

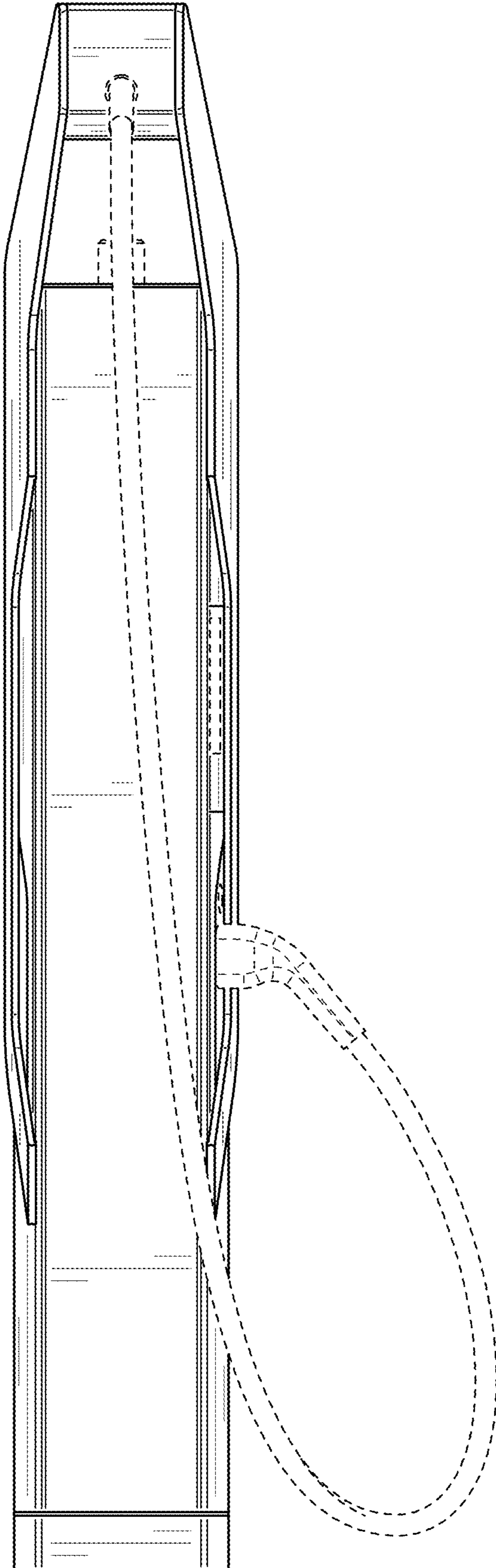


FIG. 3



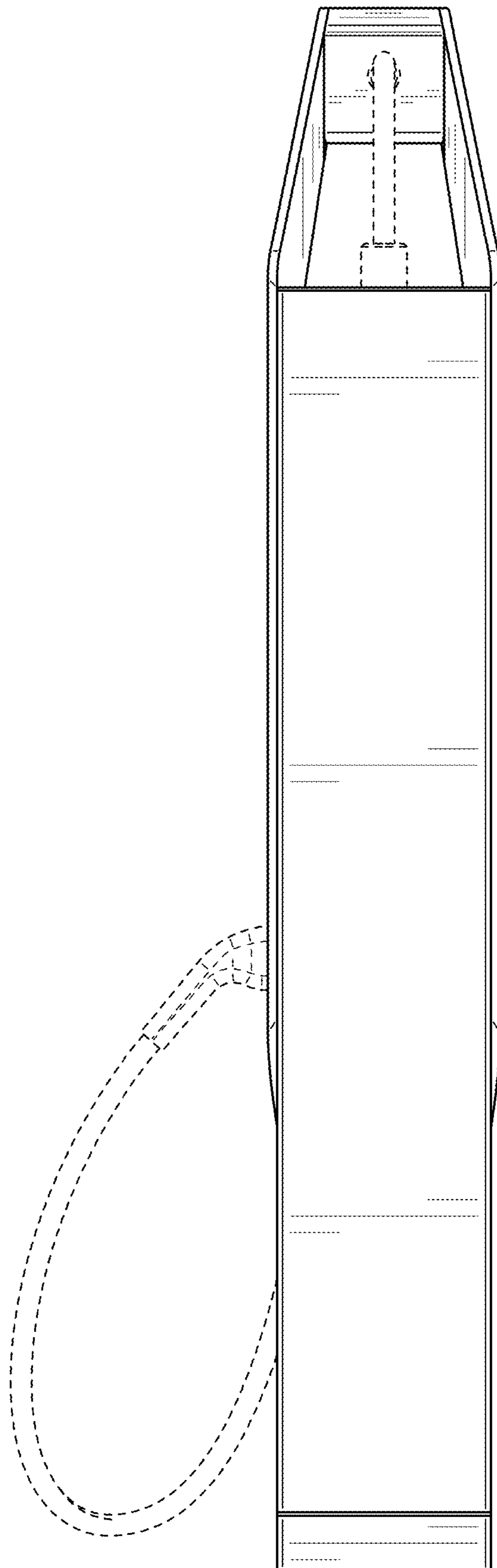


FIG. 4

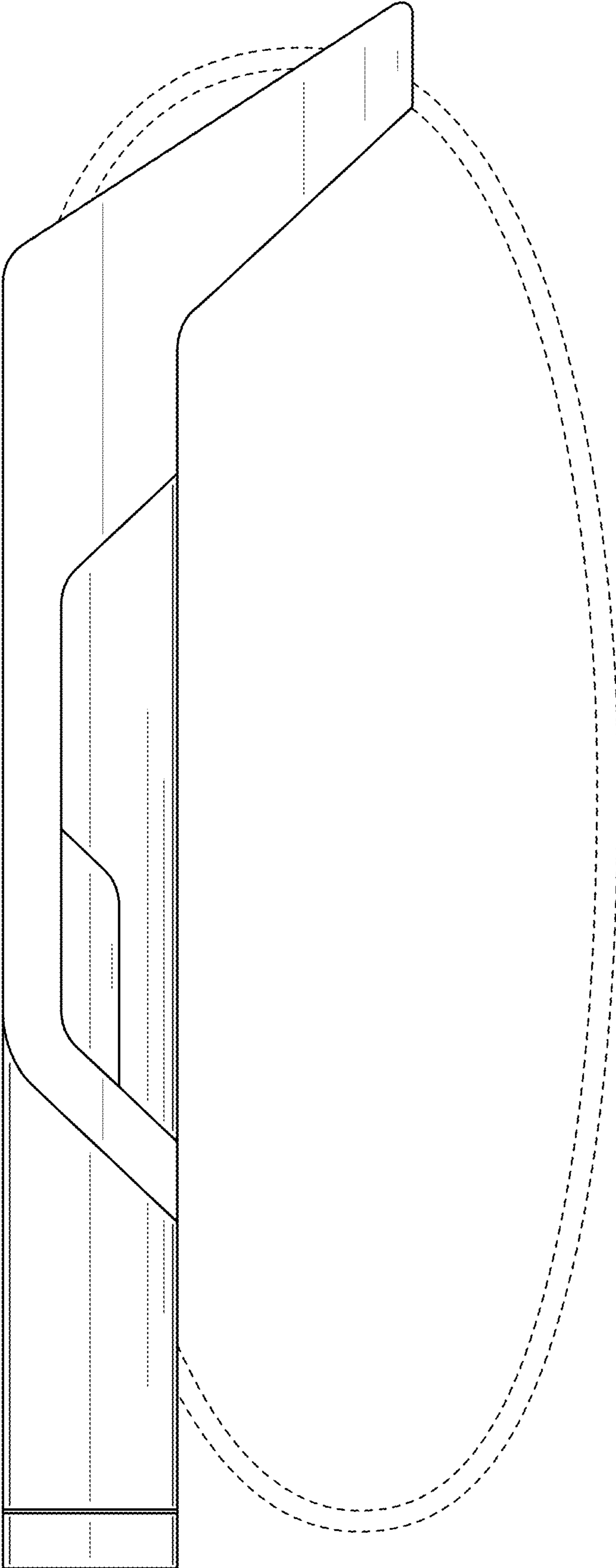


FIG. 5

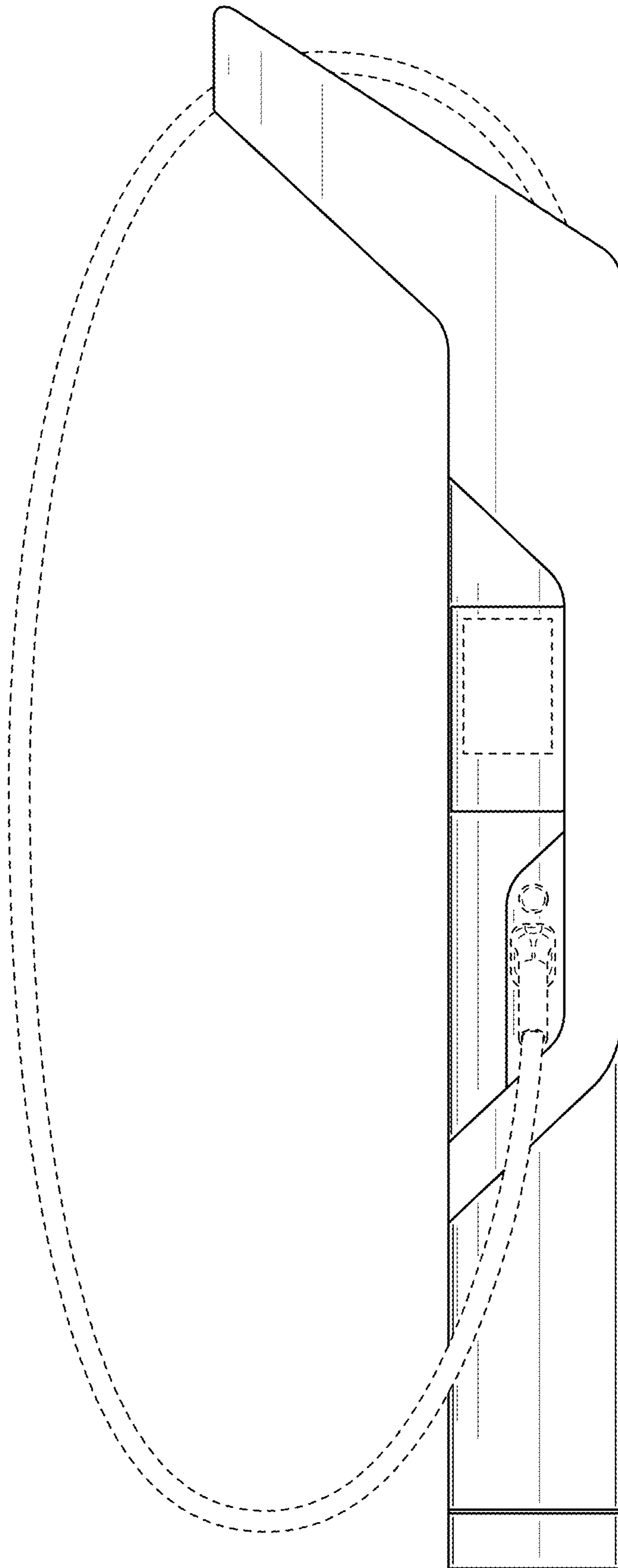


FIG. 6



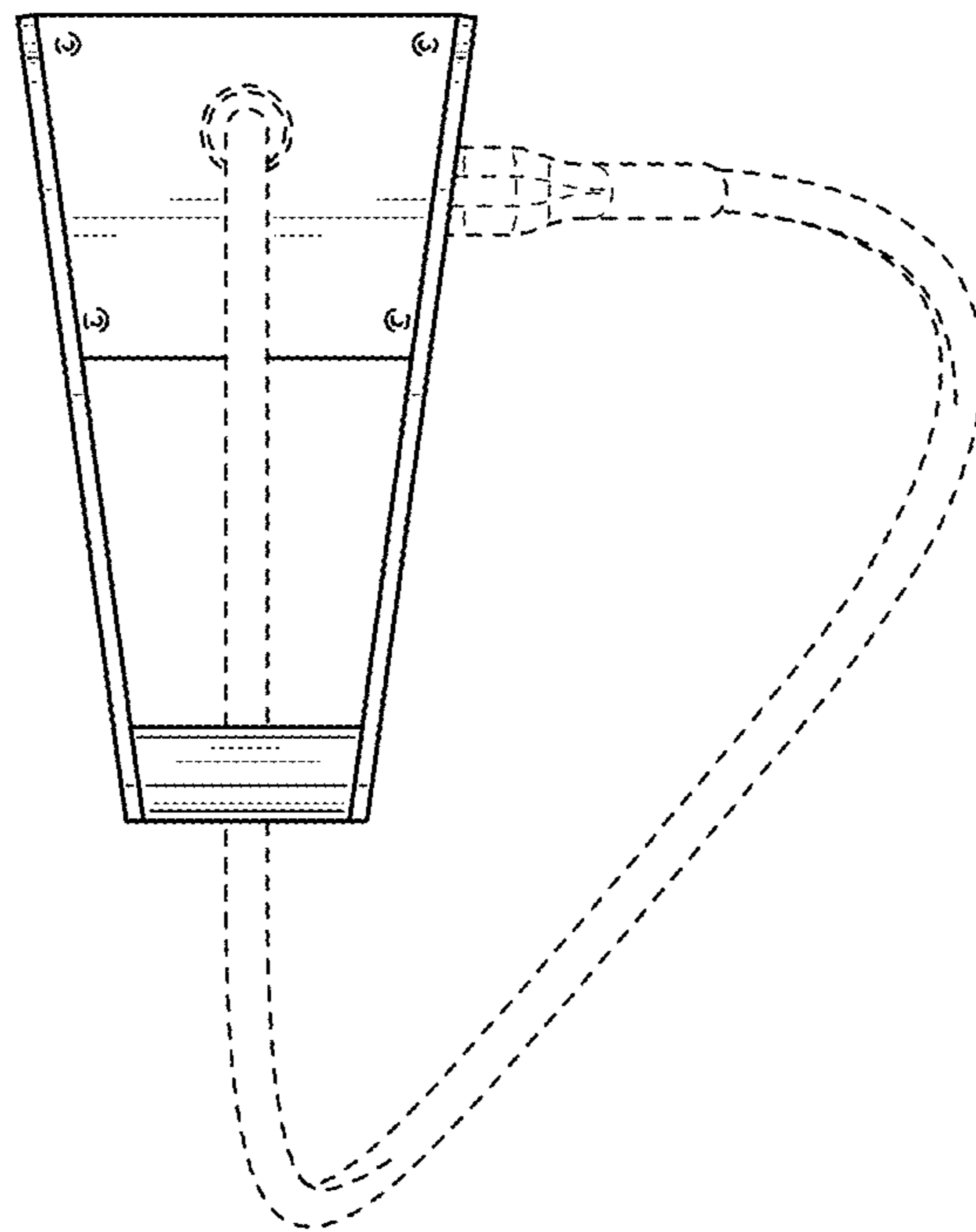


FIG. 7