



US00D923560S

(12) **United States Design Patent** (10) **Patent No.:** **US D923,560 S**  
**Schoeppner et al.** (45) **Date of Patent:** **\*\* Jun. 29, 2021**

(54) **TIRE SIDEWALL**  
(71) Applicant: **The Goodyear Tire & Rubber Company, Akron, OH (US)**  
(72) Inventors: **Nicholas Thomas Schoeppner, Canton, OH (US); Amy Lynn Buehner, North Royalton, OH (US)**  
(73) Assignee: **The Goodyear Tire & Rubber Company, Akron, OH (US)**  
(\*\*) Term: **15 Years**  
(21) Appl. No.: **29/725,586**  
(22) Filed: **Feb. 26, 2020**  
(51) **LOC (13) Cl.** ..... **12-15**  
(52) **U.S. Cl.**  
USPC ..... **D12/605**  
(58) **Field of Classification Search**  
USPC ..... D12/604, 605  
CPC ..... B60C 13/00; B60C 1/00  
See application file for complete search history.

(56) **References Cited**

**U.S. PATENT DOCUMENTS**

D492,648 S	7/2004	Maxwell et al.	.....	D12/605
D540,250 S	4/2007	Shondel	.....	D12/605
D540,740 S	4/2007	Maxwell et al.	.....	D12/605
D543,497 S	5/2007	Maxwell et al.	.....	D12/605
D549,168 S	8/2007	Shondel et al.	.....	D12/605
D550,150 S	9/2007	Shondel	.....	D12/605
D552,536 S	10/2007	Shondel	.....	D12/605
D552,537 S	10/2007	Franks et al.	.....	D12/605
D557,202 S	12/2007	Shondel	.....	D12/605
D563,310 S	3/2008	Shondel	.....	D12/605
D567,169 S	4/2008	Maxwell et al.	.....	D12/605
D569,792 S	* 5/2008	Holden	.....	D12/605
D574,320 S	* 8/2008	Dixon	.....	D12/605

D581,352 S	11/2008	Harvey	.....	D12/605
D581,353 S	11/2008	Harvey	.....	D12/605
D581,354 S	11/2008	Harvey	.....	D12/605
D585,016 S	1/2009	Weimer et al.	.....	D12/605
D588,529 S	3/2009	Reese et al.	.....	D12/605
D588,532 S	3/2009	Shondel	.....	D12/605
D602,427 S	* 10/2009	Takahashi	.....	D12/605
D608,275 S	1/2010	Maxwell	.....	D12/605
D610,978 S	3/2010	Harvey et al.	.....	D12/605
D610,980 S	3/2010	Shondel	.....	D12/605
D610,981 S	3/2010	Shondel	.....	D12/605
D614,123 S	4/2010	Harvey	.....	D12/605
D628,959 S	12/2010	Harvey	.....	D12/605
D629,745 S	* 12/2010	Shondel	.....	D12/605
D632,641 S	* 2/2011	Sato	.....	D12/605
D638,783 S	* 5/2011	Endou	.....	D12/605
D640,187 S	6/2011	Fontaine et al.	.....	D12/605
D650,323 S	12/2011	Morito et al.	.....	D12/605
D656,089 S	* 3/2012	Miyazaki	.....	D12/605
D683,695 S	* 6/2013	Takeshima	.....	D12/605
D684,109 S	6/2013	Iwabuchi	.....	D12/605
D700,886 S	* 3/2014	Matsumoto	.....	D12/605
D701,826 S	* 4/2014	Morito	.....	D12/605

(Continued)

*Primary Examiner* — Michelle E. Wilson

*Assistant Examiner* — Clese Moore, Jr.

(74) *Attorney, Agent, or Firm* — Robert N. Lipsik

(57) **CLAIM**

The ornamental design for a tire sidewall, as shown and described.

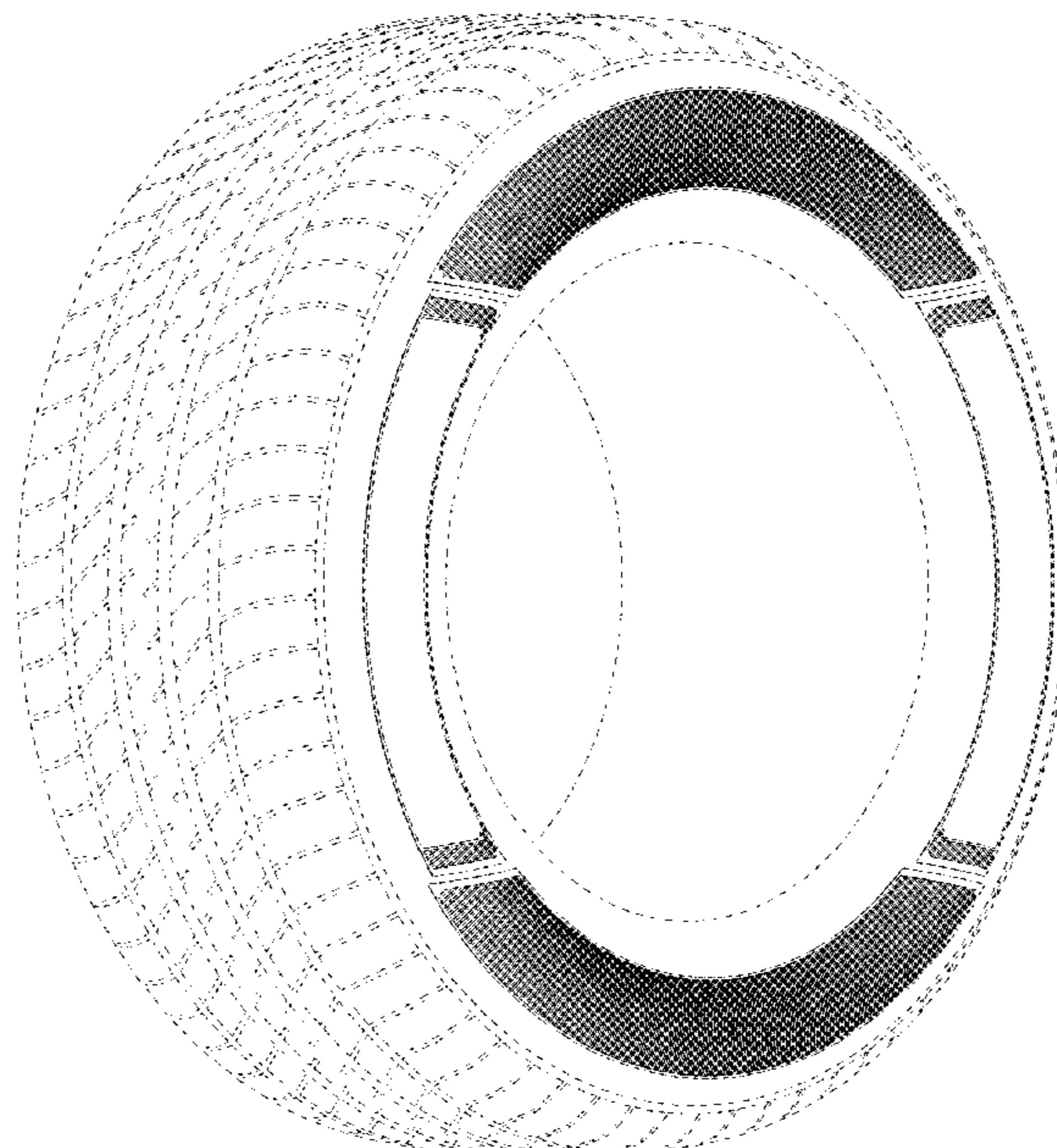
**DESCRIPTION**

FIG. 1 is a perspective view of a tire sidewall showing our new design; and,

FIG. 2 is a front elevational view thereof.

In the drawings, the broken lines showing of the tire tread, inner bead and the peripheral boundary between the tire tread and the sidewall in FIGS. 1 and 2 depict environmental subject matter and form no part of the claimed design.

**1 Claim, 2 Drawing Sheets**



(56)

**References Cited**

## U.S. PATENT DOCUMENTS

D711,816	S	*	8/2014	Iwabuchi	.....	D12/605
D726,645	S	*	4/2015	Scheifele	.....	D12/605
D739,344	S	*	9/2015	Kuwano	.....	D12/605
D740,747	S	*	10/2015	Sato	.....	D12/605
D750,555	S		3/2016	Iwabuchi	.....	D12/605
D769,182	S		10/2016	Iwabuchi	.....	D12/605
D791,694	S		7/2017	Sato	.....	D12/605
D801,263	S	*	10/2017	Sato	.....	D12/605
D802,526	S		11/2017	Ishikawa	.....	D12/605
D806,642	S	*	1/2018	Kuwano	.....	D12/605
D813,150	S	*	3/2018	Schoepner	.....	D12/605
D817,860	S		5/2018	Maxwell et al.	.....	D12/605
D822,590	S		7/2018	Maxwell et al.	.....	D12/605
D823,785	S		7/2018	Noel et al.	.....	D12/605
D829,643	S	*	10/2018	Mita	.....	D12/605
D830,292	S	*	10/2018	Baggetta	.....	D12/605
D848,359	S	*	5/2019	Furusawa	.....	D12/605
D851,028	S	*	6/2019	Mishima	.....	D12/605
D852,734	S	*	7/2019	Tanaka	.....	D12/605
D853,950	S	*	7/2019	Kubota	.....	D12/605
D860,930	S	*	9/2019	Ishii	.....	D12/605
D865,657	S	*	11/2019	Miyazaki	.....	D12/605
D869,386	S		12/2019	Maxwell et al.	.....	D12/605
D876,333	S		2/2020	Fontaine et al.	.....	D12/605
D876,334	S		2/2020	Schoepner et al.	.....	D12/605
D876,335	S		2/2020	Fontaine et al.	.....	D12/605
D876,337	S		2/2020	Schoepner et al.	.....	D12/605

\* cited by examiner

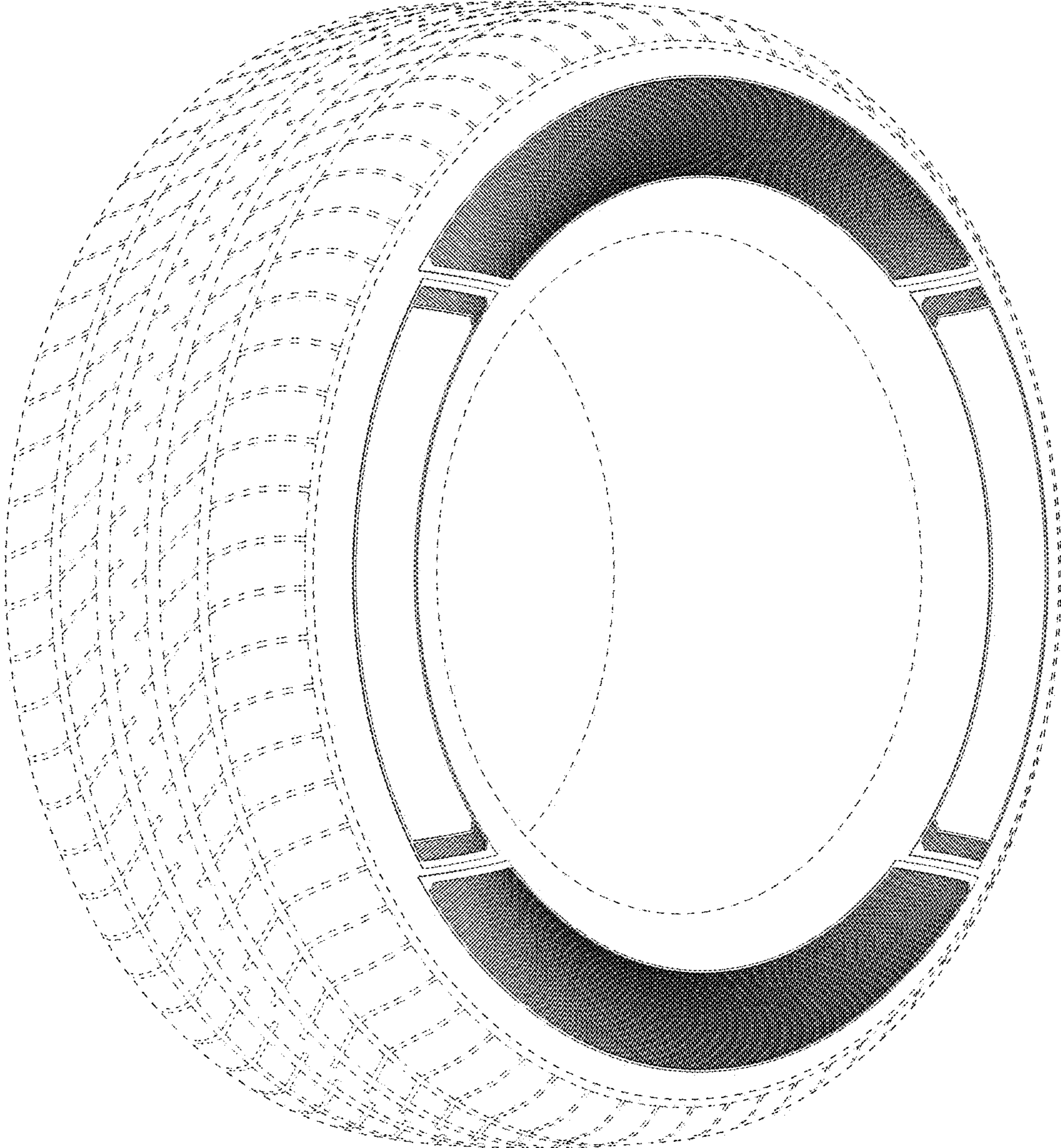


FIG - 1

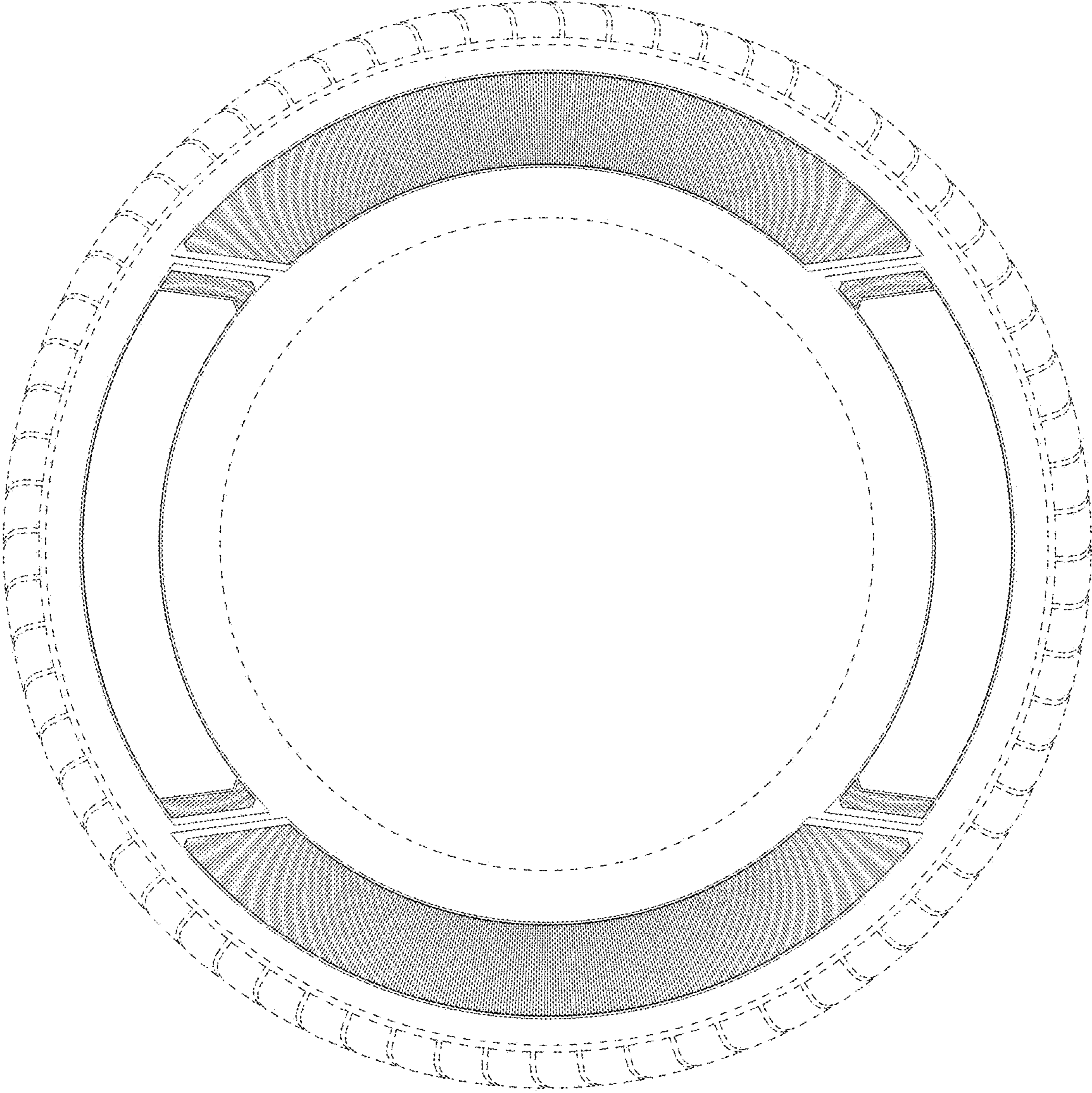


FIG - 2