



US00D923553S

(12) **United States Design Patent**
Basl et al.

(10) **Patent No.:** **US D923,553 S**

(45) **Date of Patent:** **** Jun. 29, 2021**

(54) **TIRE**

(71) Applicant: **The Goodyear Tire & Rubber Company, Akron, OH (US)**

(72) Inventors: **Jennifer Marie Basl, Akron, OH (US); Dale Edward Umstot, Atwater, OH (US)**

(73) Assignee: **The Goodyear Tire & Rubber Company, Akron, OH (US)**

(**) Term: **15 Years**

(21) Appl. No.: **29/723,693**

(22) Filed: **Feb. 10, 2020**

(51) **LOC (13) Cl.** **12-15**

(52) **U.S. Cl.**
USPC **D12/517**

(58) **Field of Classification Search**
USPC D12/500-532, 604
CPC Y10T 152/10027; B60C 1/0016; B60C 11/0306; B60C 11/0302; B60C 3/06; B60C 9/17

See application file for complete search history.

(56) **References Cited**

U.S. PATENT DOCUMENTS

D439,870 S	4/2001	Lovell et al.	D12/146
D453,730 S	2/2002	Weber	D12/532
D480,351 S	10/2003	Dixon et al.	D12/601
D541,731 S	5/2007	Maziarka et al.	D12/528
D568,234 S	5/2008	Shinohara et al.	D12/521
D586,727 S	2/2009	Campana	D12/545
D616,810 S	6/2010	Scheuren et al.	D12/601
D619,087 S	7/2010	Scheuren et al.	D12/601
D662,451 S *	6/2012	Schmalix	D12/521
D710,295 S	8/2014	Bortolet et al.	D12/601
D735,113 S	7/2015	Schoeppner et al.	D12/521
D740,210 S	10/2015	Uphouse et al.	D12/588

D784,914 S	4/2017	Fontaine et al.	D12/584
D795,793 S	8/2017	Schoeppner et al.	D12/523
D830,954 S *	10/2018	Rittweger	D12/517

(Continued)

Primary Examiner — John A Voytek

(74) *Attorney, Agent, or Firm* — Robert N. Lipsik

(57) **CLAIM**

The ornamental Design for a tire, as shown and described.

DESCRIPTION

FIG. 1 is a right side perspective view of a tire showing our new design, it being understood that the pattern repeats uniformly throughout the circumference of the tread;

FIG. 2 is a left side perspective view thereof;

FIG. 3 is a front elevational view thereof;

FIG. 4 is a right side elevational view thereof;

FIG. 5 is a left side elevational view thereof;

FIG. 6 is an enlarged fragmentary front elevational view thereof;

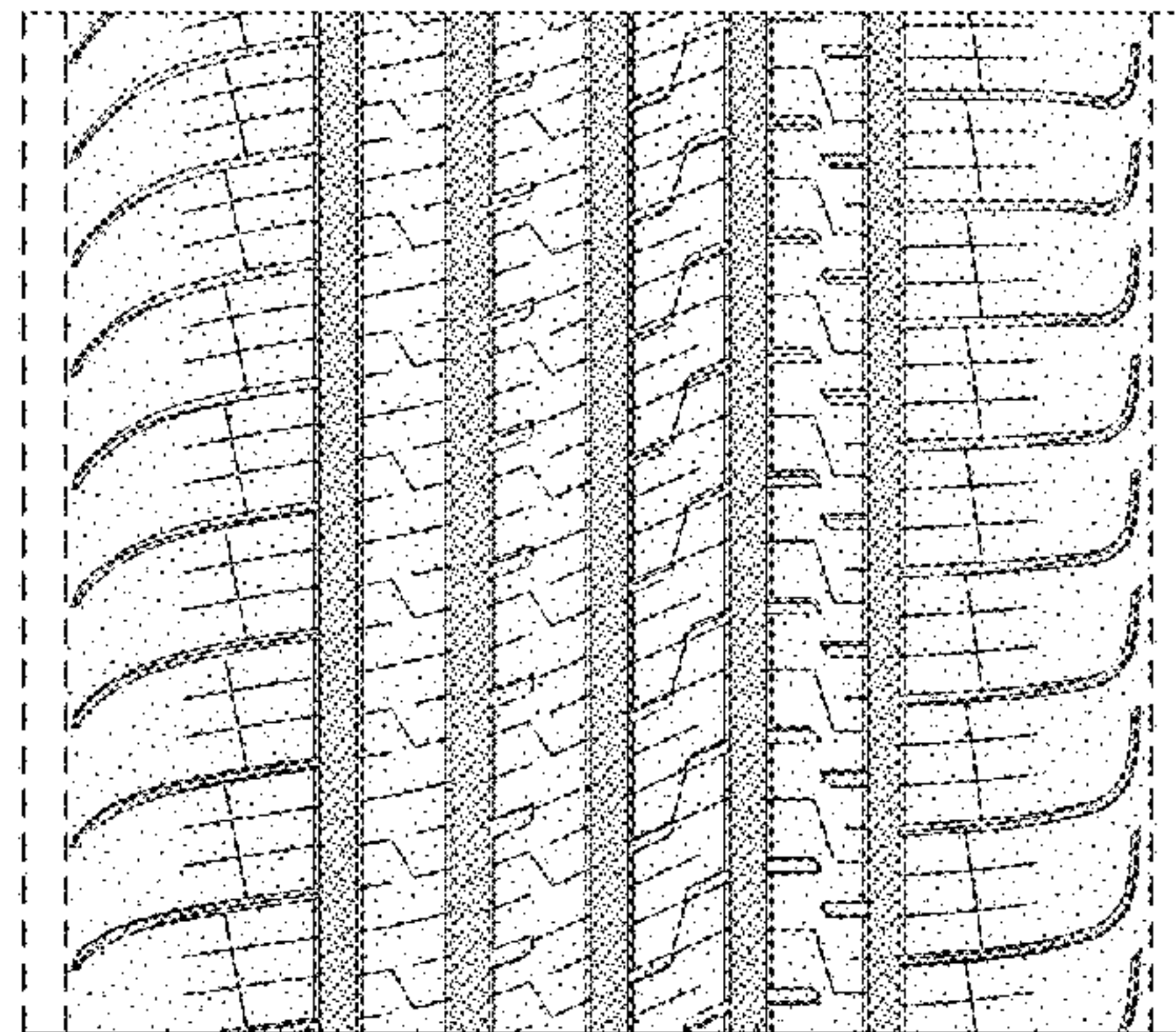
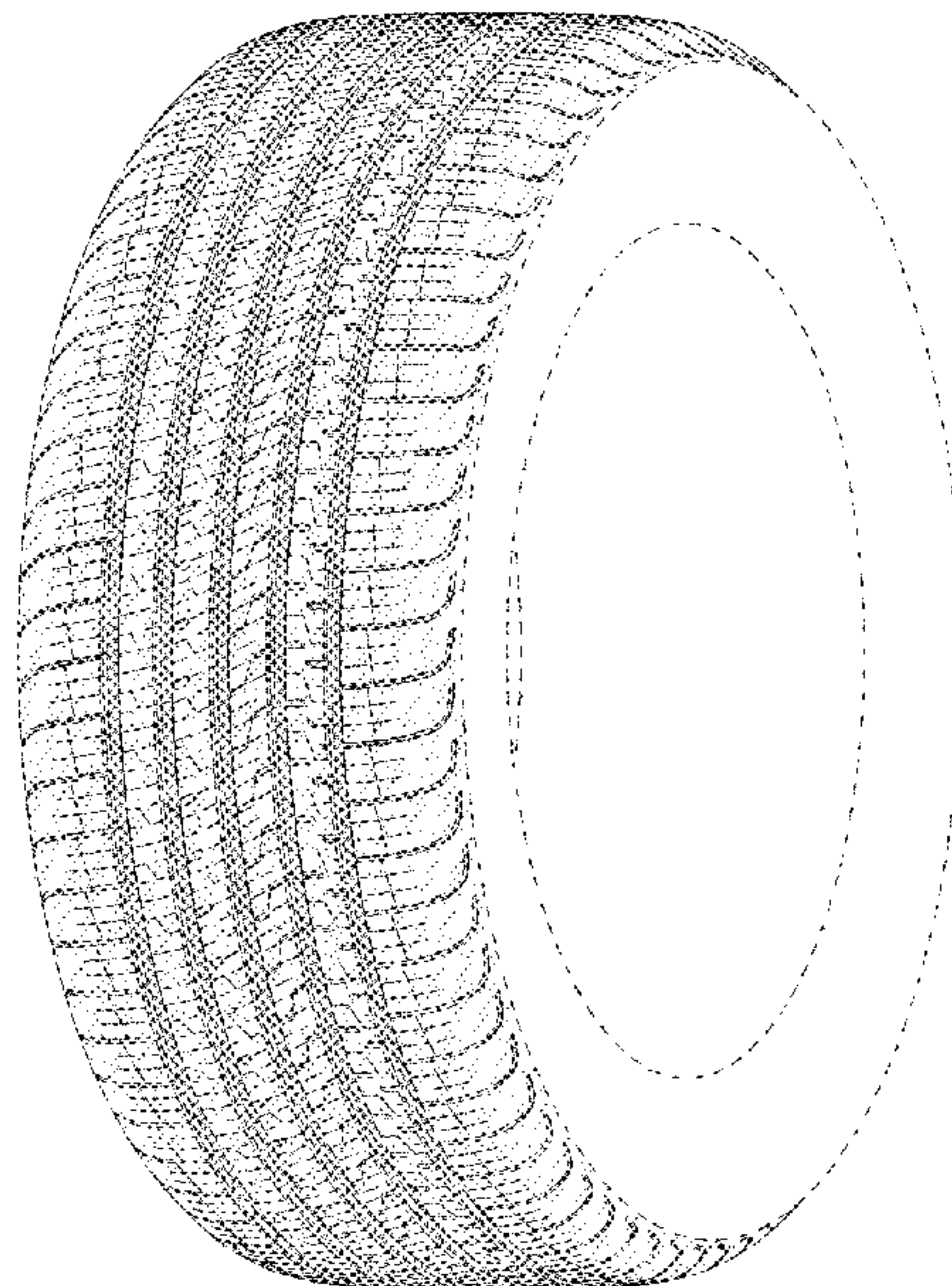
FIG. 7 is a right side perspective view of a second embodiment of a tire showing our new design, it being understood that the interior of the tire forms no part of the claim and that the pattern repeats uniformly throughout the circumference of the tread;

FIG. 8 is a left side perspective view of a second embodiment, it being understood that the interior of the tire forms no part of the claim; and,

FIG. 9 is a front elevational view of a second embodiment, it being understood that an enlarged fragmentary view thereof would be substantially identical to that shown in FIG. 6, with the exception of the inclusion of the sidewall in solid lines.

In the drawings, the broken lines immediately adjacent to the outer edges of the tire shoulder represent boundaries of the claim, and the broken lines depict environmental subject matter only and form no part of the claimed design.

1 Claim, 9 Drawing Sheets



(56)

References Cited

U.S. PATENT DOCUMENTS

D838,664 S	1/2019	Pribula et al.	D12/595
D847,726 S	5/2019	Maggelet et al.	D12/521
D852,125 S	6/2019	Davis et al.	D12/601
D859,287 S *	9/2019	Behr	D12/517
D869,383 S	12/2019	Basl et al.	D12/521
D873,206 S *	1/2020	Uphouse	D12/517
D886,034 S *	6/2020	Pribula	D12/584
D908,599 S *	1/2021	Roth	D12/588
2016/0089938 A1 *	3/2016	Iwasaki	B60C 11/1236 152/209.18
2018/0141389 A1 *	5/2018	Yamaoka	B60C 11/1263

* cited by examiner

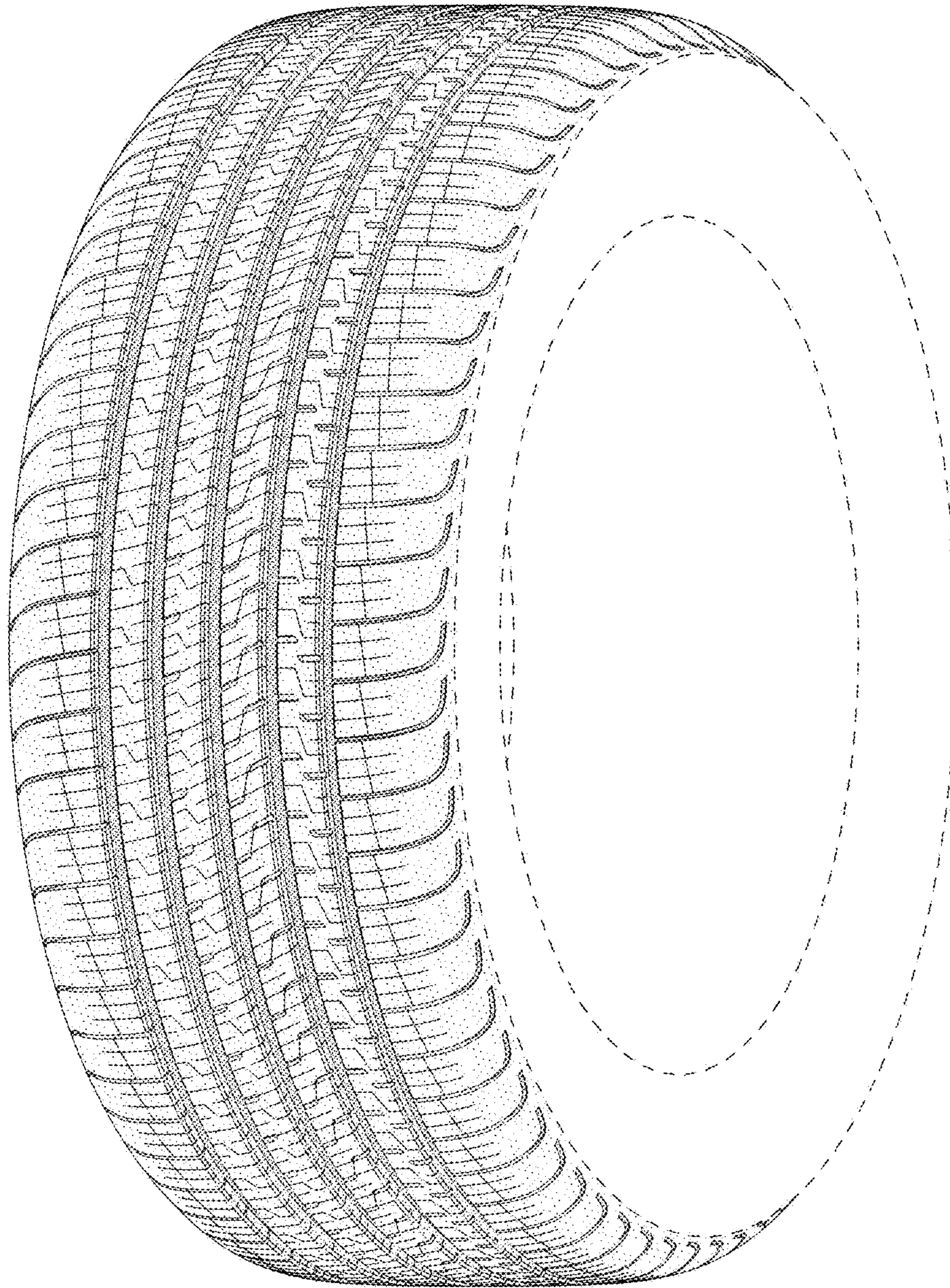


FIG - 1

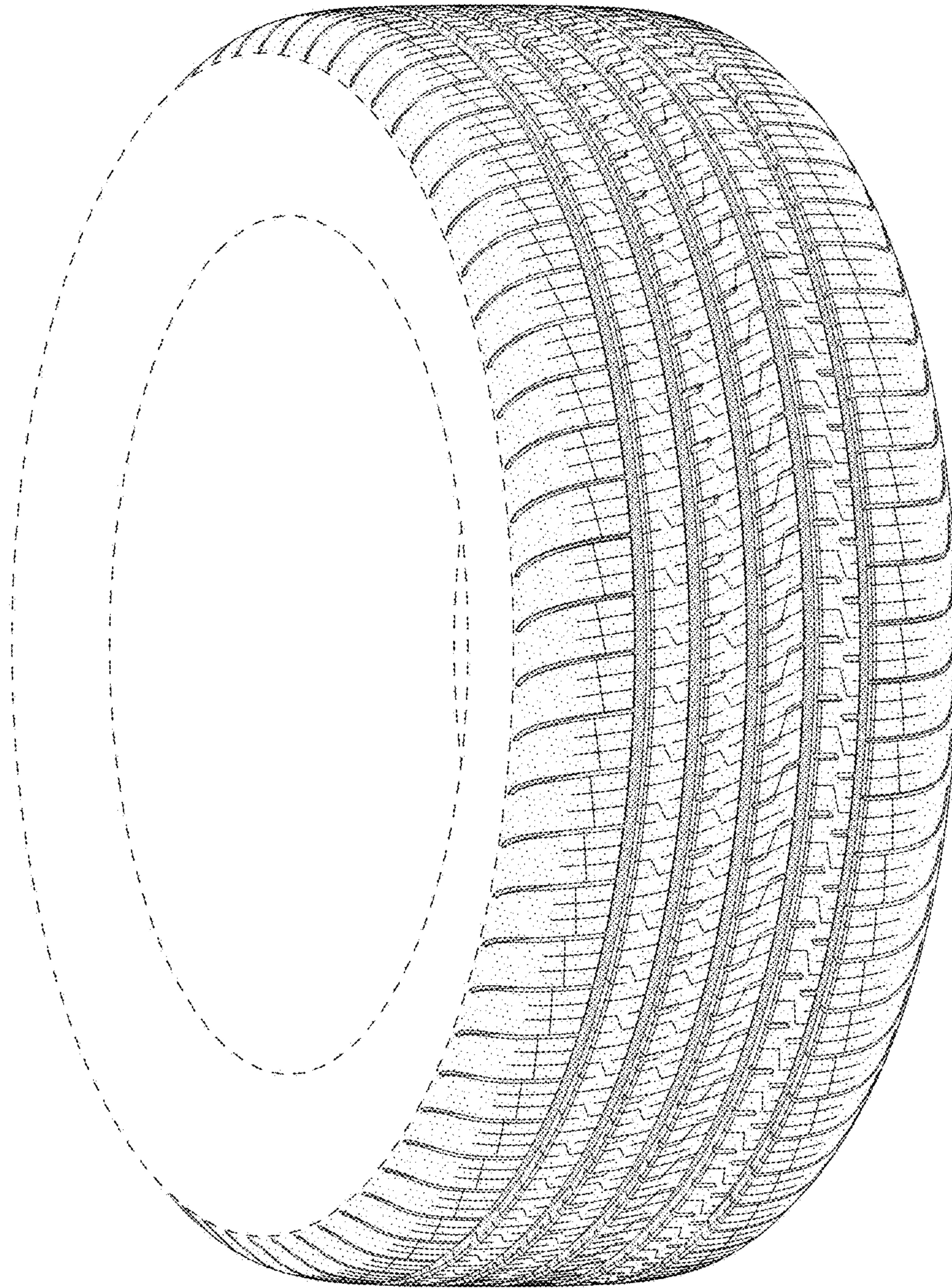


FIG - 2

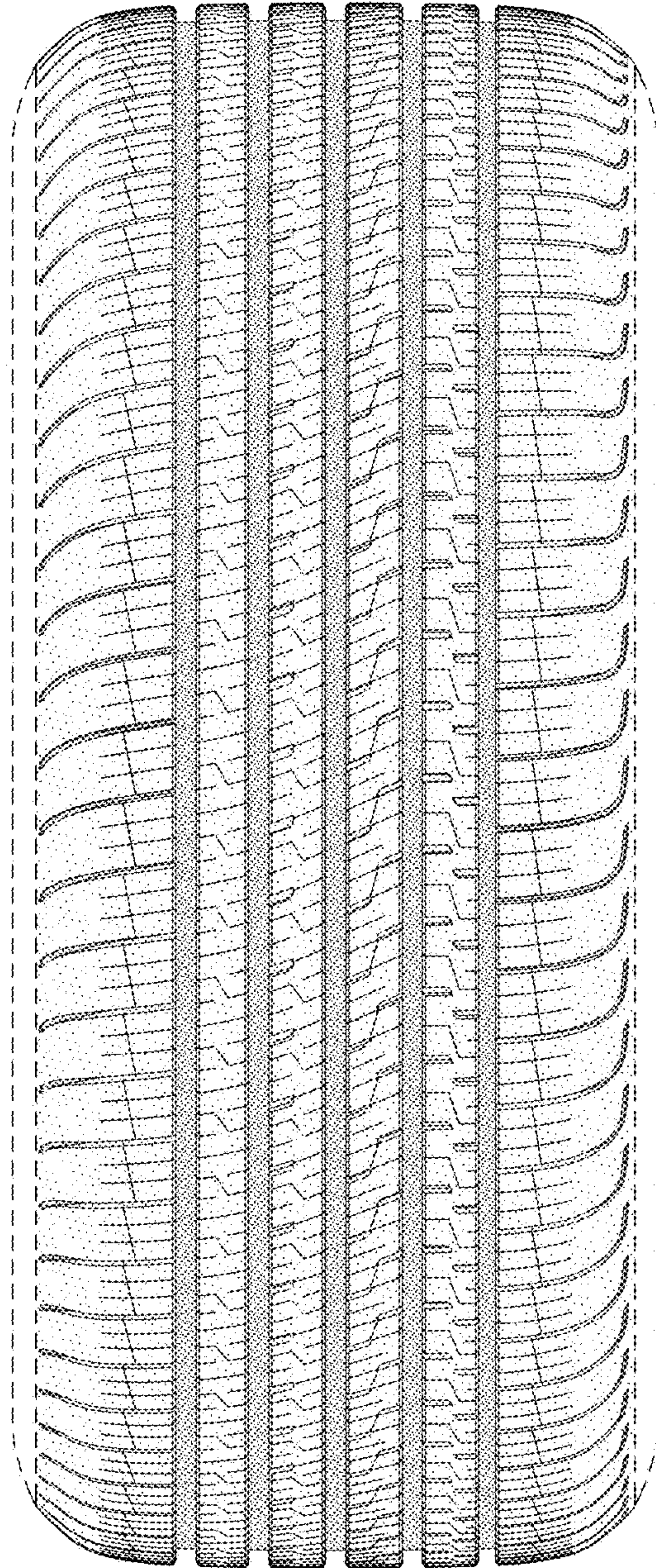


FIG - 3

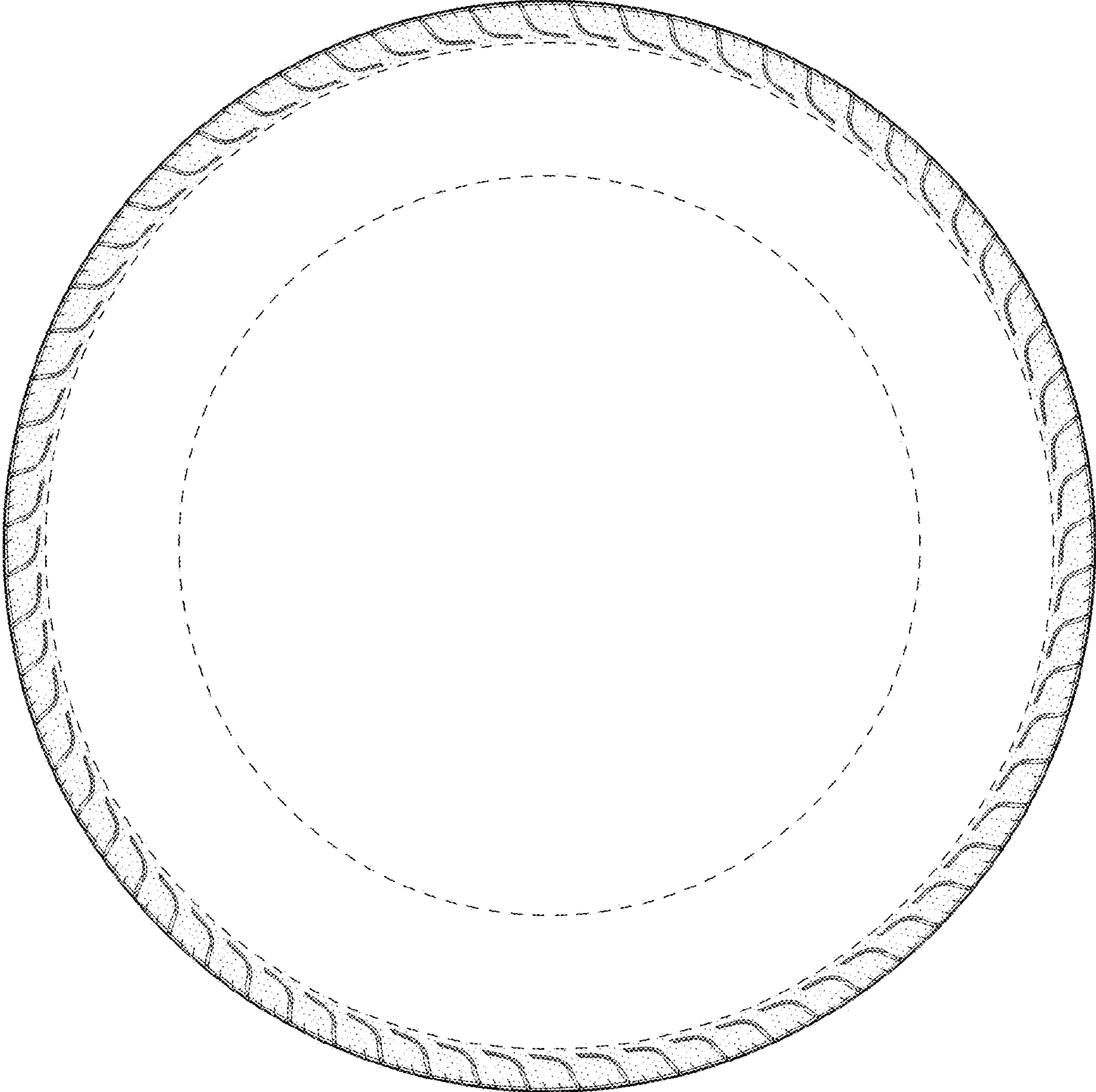


FIG - 4

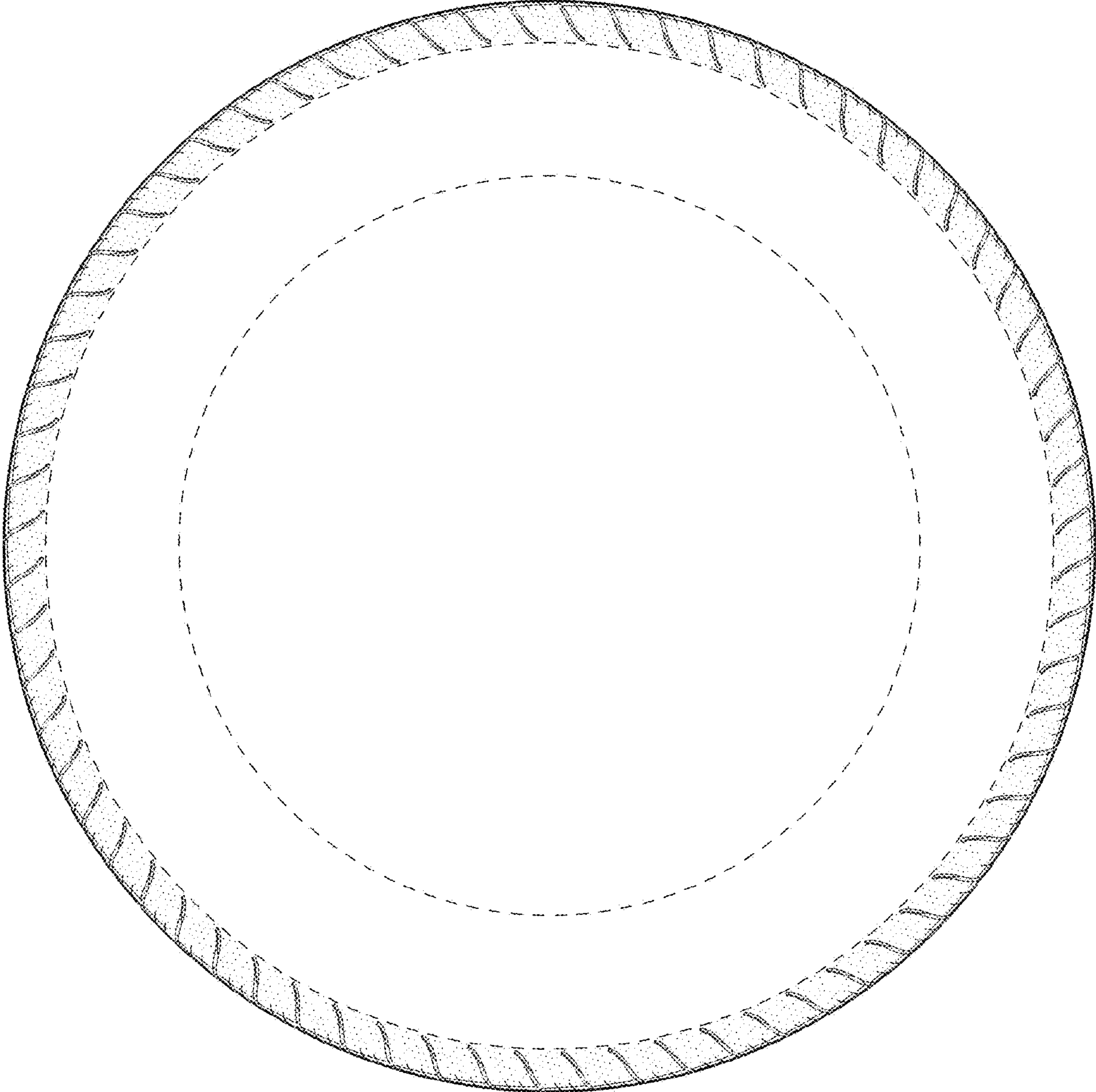


FIG - 5

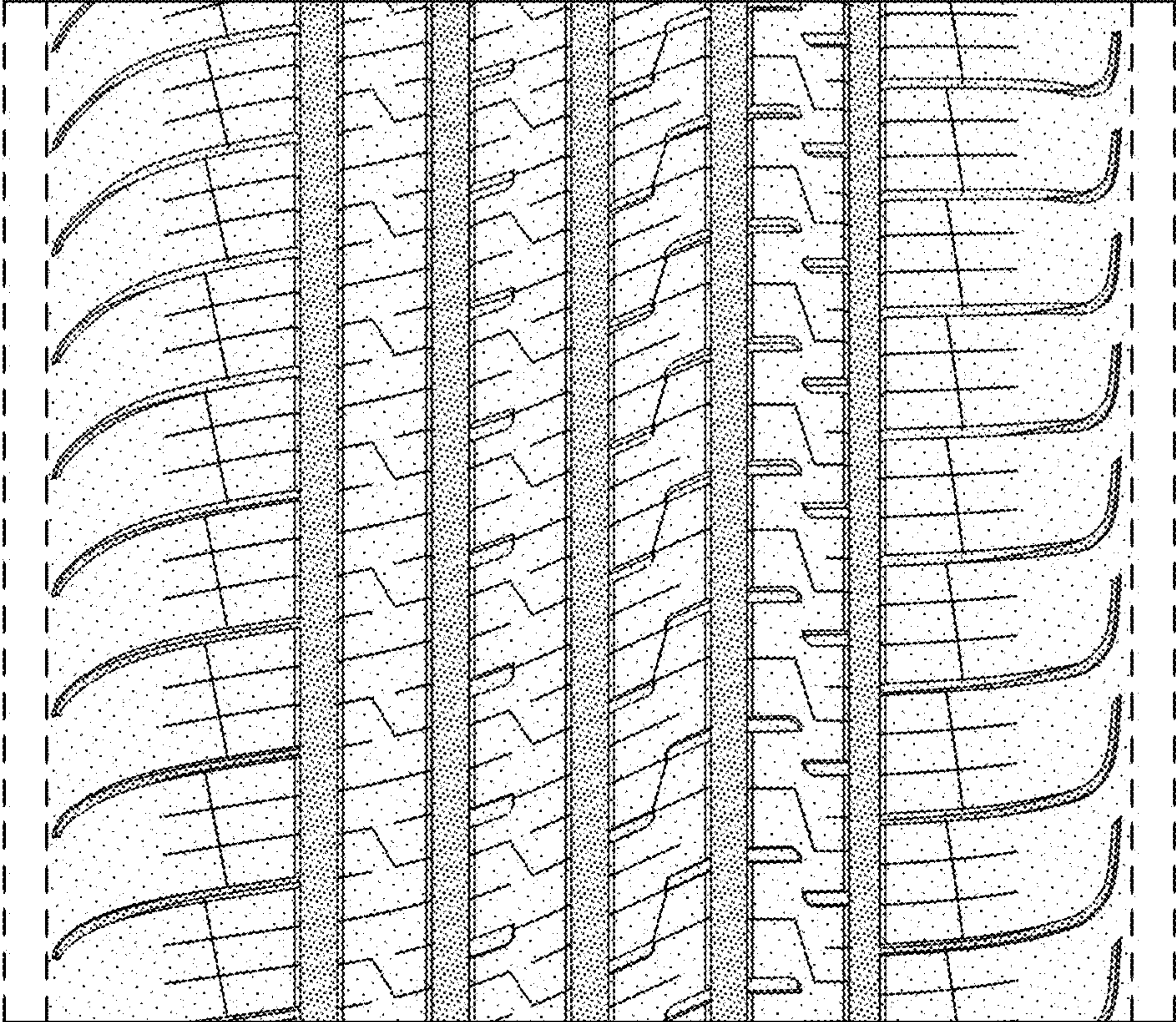


FIG - 6

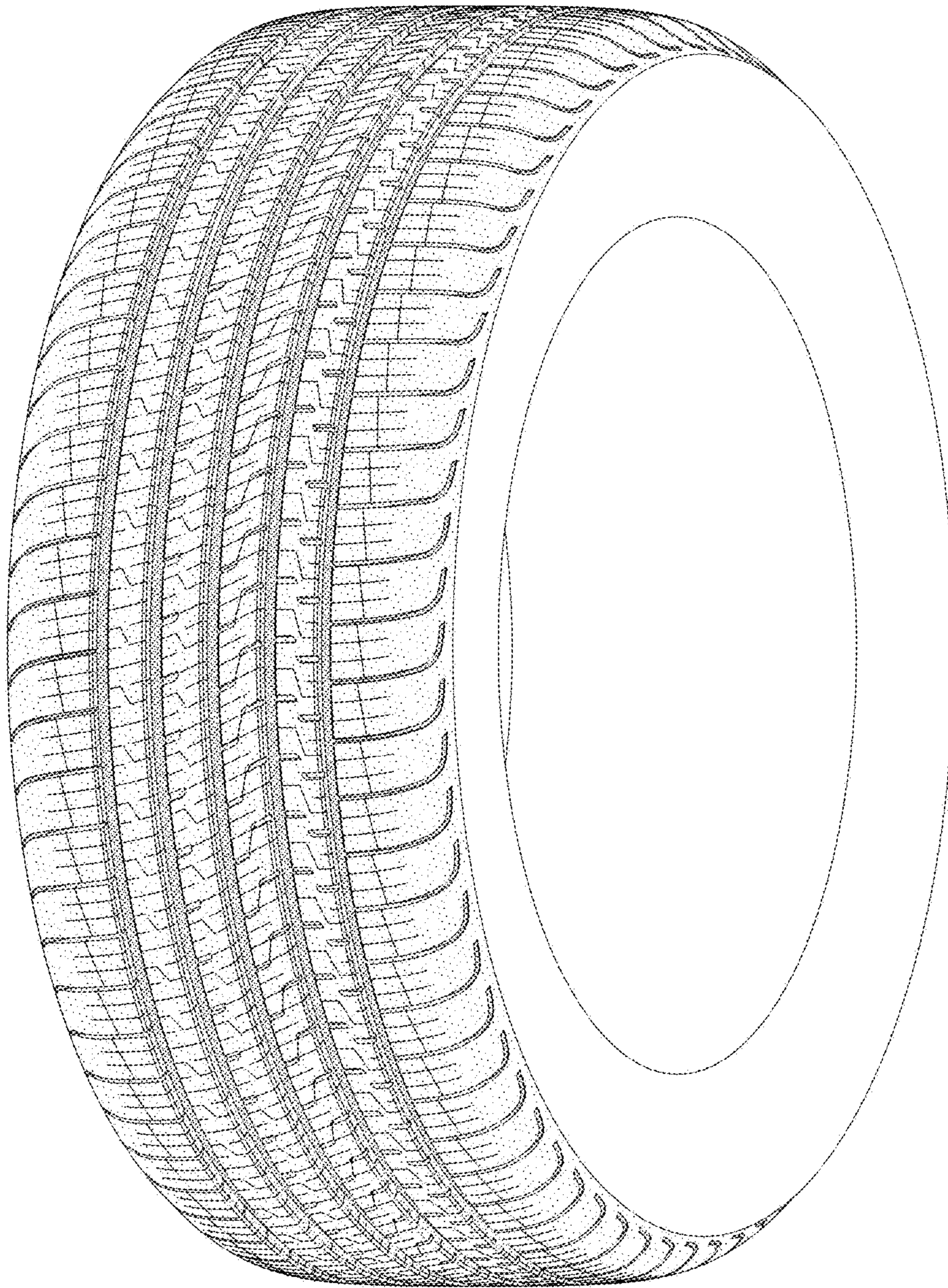


FIG - 7

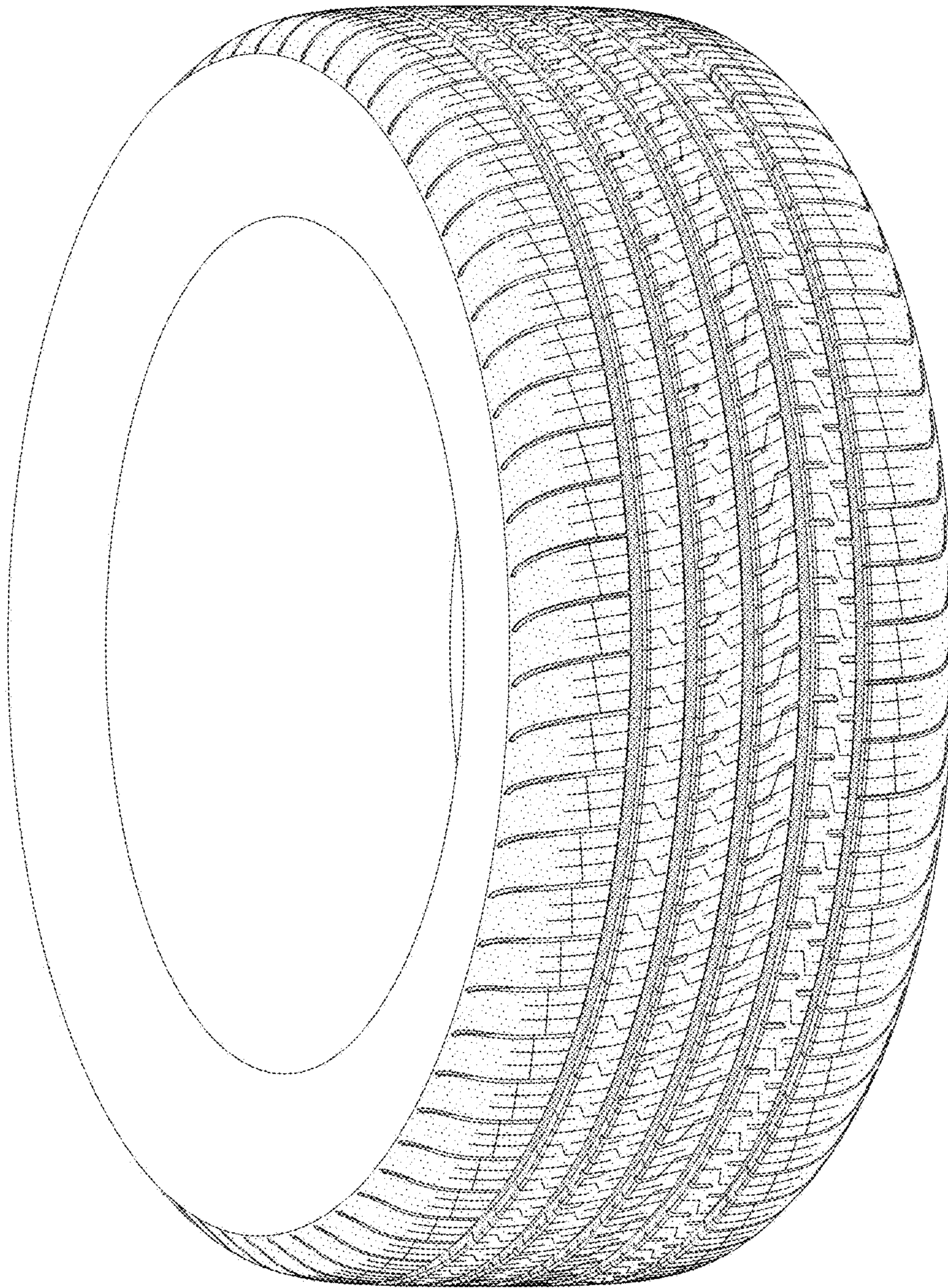


FIG - 8

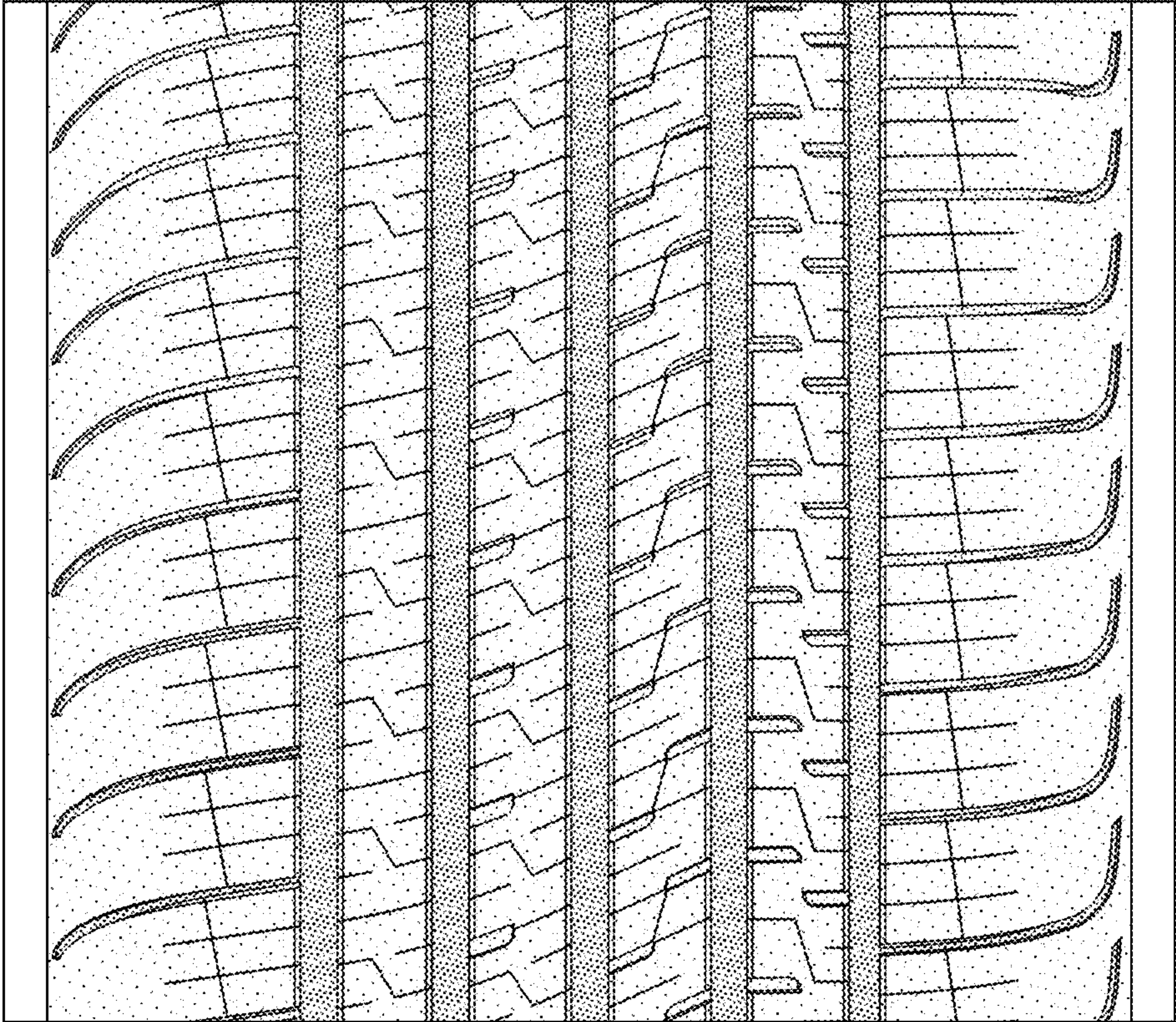


FIG - 9