



US00D923552S

(12) **United States Design Patent** (10) **Patent No.:** **US D923,552 S**
Keck et al. (45) **Date of Patent:** **** Jun. 29, 2021**

(54) **AIRCRAFT CABIN CEILING**

(74) *Attorney, Agent, or Firm* — Dascenzo Gates Intellectual Property Law, P.C.

(71) Applicant: **The Boeing Company**, Chicago, IL (US)

(57) **CLAIM**

(72) Inventors: **Russell W. Keck**, Seattle, WA (US); **Paul Joseph Wilczynski**, Seattle, WA (US); **Franco Marino Cagnina**, Lynnwood, WA (US); **Adam Patrick Boroughs**, Seattle, WA (US); **Christopher Matthew Krako**, Marysville, WA (US)

The ornamental design for an aircraft cabin ceiling, as shown and described.

(73) Assignee: **The Boeing Company**, Chicago, IL (US)

DESCRIPTION

(**) Term: **15 Years**

FIG. 1 is an environmental perspective view of an aircraft cabin ceiling showing the new design; FIG. 2 is another perspective view thereof; FIG. 3 is another perspective view thereof; FIG. 4 is another perspective view thereof; FIG. 5 is another perspective view thereof; FIG. 6 is another perspective view thereof; FIG. 7 is another perspective view thereof; FIG. 8 is another perspective view thereof; FIG. 9 is a bottom plan view thereof; FIG. 10 is an environmental view thereof corresponding to the perspective of FIG. 2; FIG. 11 is an environmental view thereof corresponding to the perspective of FIG. 3; FIG. 12 is an environmental view thereof corresponding to the perspective of FIG. 4; FIG. 13 is an environmental view thereof corresponding to the perspective of FIG. 5; FIG. 14 is an environmental view thereof corresponding to the perspective of FIG. 6; FIG. 15 is an environmental view thereof corresponding to the perspective of FIG. 7; FIG. 16 is an environmental view thereof corresponding to the perspective of FIG. 8; and, FIG. 17 is an environmental view thereof corresponding to the perspective of FIG. 9. The dash-dot lines in the drawings represent the boundary of the claimed design. The dashed lines represent portions of the aircraft cabin ceiling that form no part of the claimed design in FIGS. 1-17 and environment in FIGS. 1 and 9-16.

(21) Appl. No.: **29/707,232**

(22) Filed: **Sep. 26, 2019**

(51) **LOC (13) Cl.** **12-16**

(52) **U.S. Cl.**
USPC **D12/418**

(58) **Field of Classification Search**
USPC D6/513, 514, 553, 556, 559, 611
CPC ... B64D 11/04; B64D 13/08; B60R 2011/005; B60R 11/02
See application file for complete search history.

(56) **References Cited**

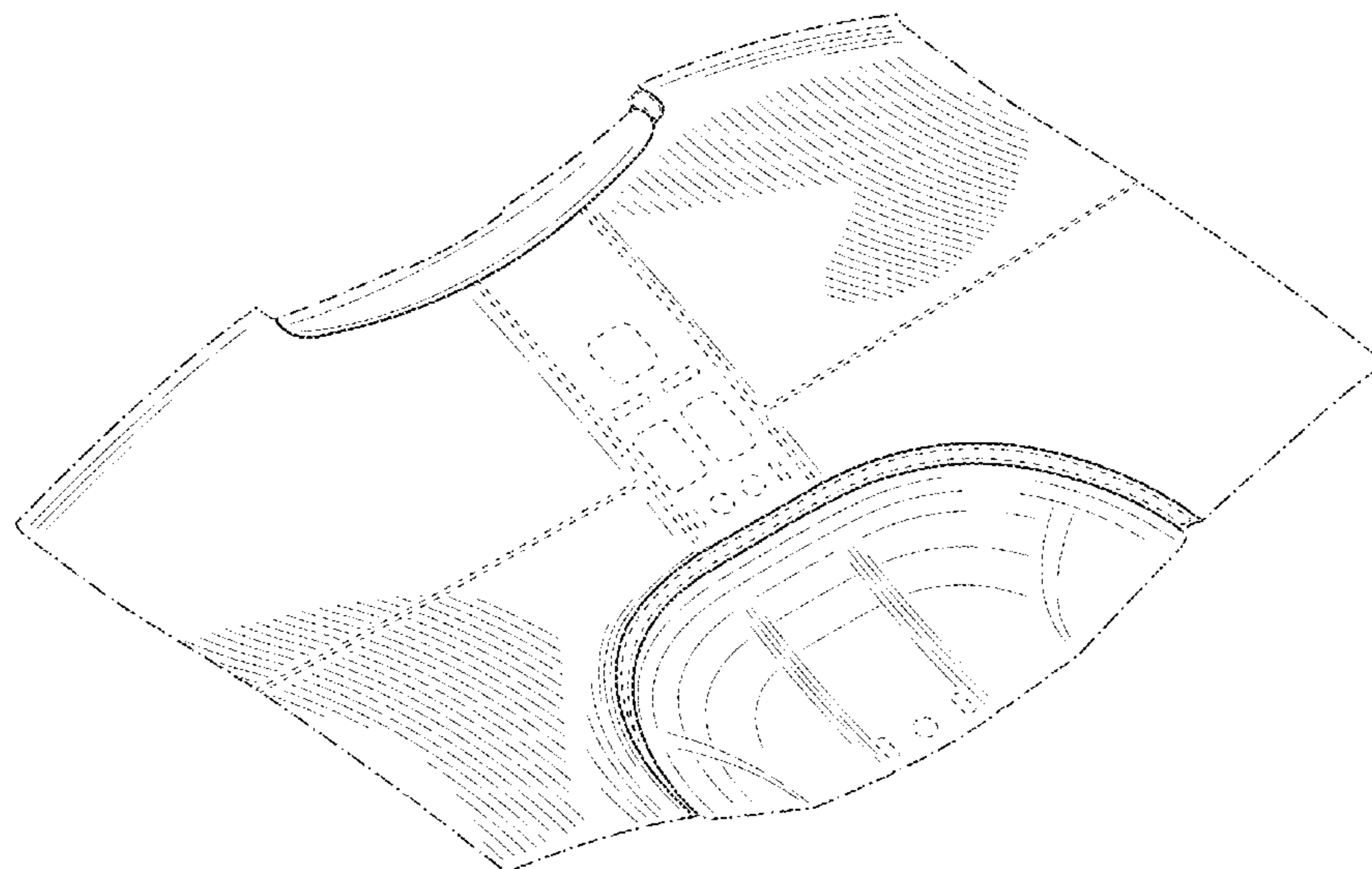
U.S. PATENT DOCUMENTS

- 3,773,378 A * 11/1973 Lewis B60R 7/04 296/37.7
- 4,079,987 A * 3/1978 Bumgardener B60R 11/02 224/311
- 4,241,870 A * 12/1980 Marcus B60R 7/04 296/37.7
- D282,251 S * 1/1986 Isham D12/195

(Continued)

Primary Examiner — Katrina A Betton

1 Claim, 17 Drawing Sheets



(56)

References Cited

U.S. PATENT DOCUMENTS

4,867,498	A *	9/1989	Delphia	B60R 7/04 296/37.7
7,284,780	B1 *	10/2007	Munger	B60R 7/05 296/37.8
7,379,125	B2 *	5/2008	Chang	B60R 11/0235 348/837
D613,234	S *	4/2010	Tirey	D12/418
D680,944	S *	4/2013	Aruga	D12/418
D724,003	S *	3/2015	Fonseca	D12/418
D902,837	S *	11/2020	Robinson	D12/418

* cited by examiner

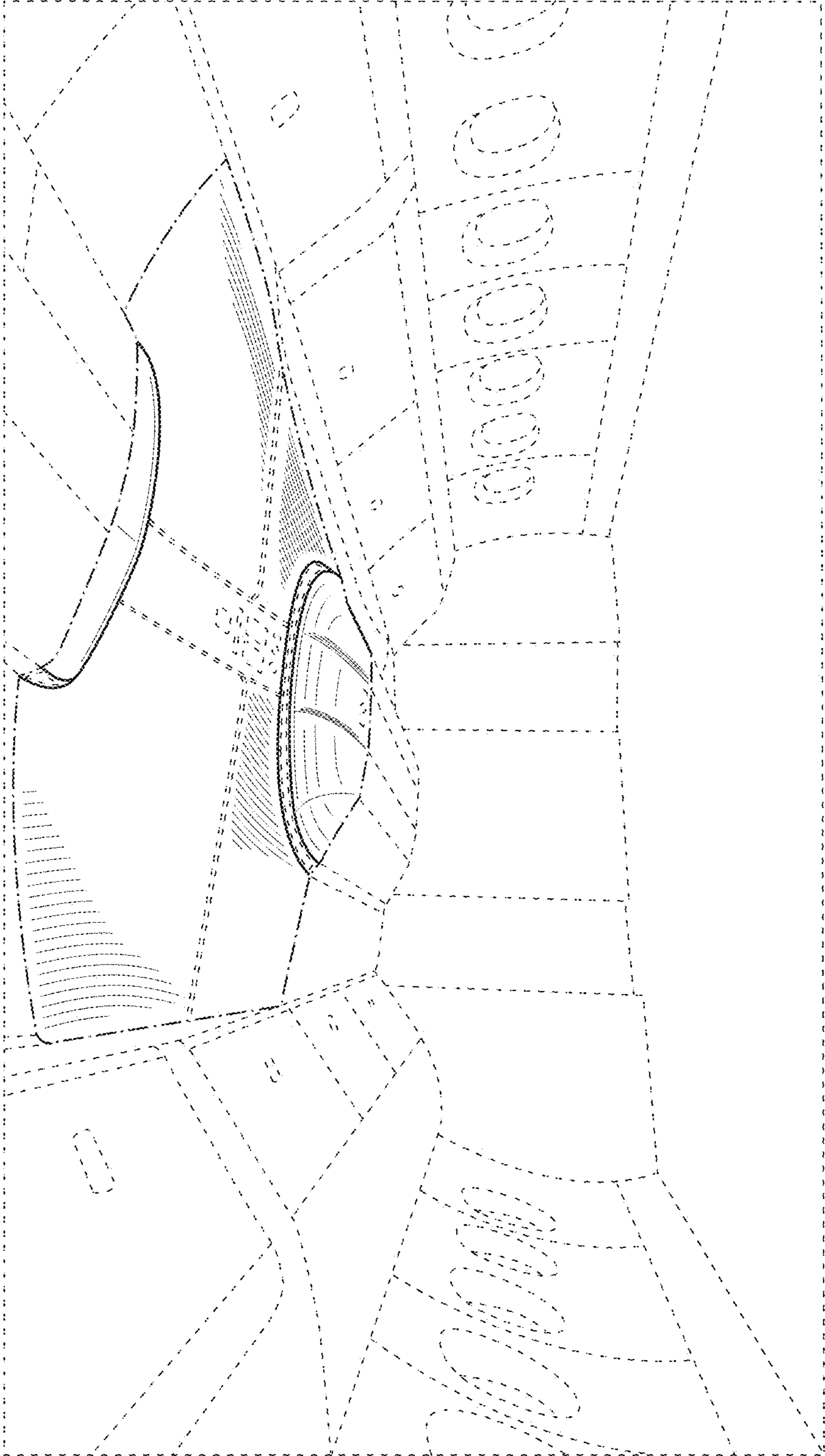


FIG. 1

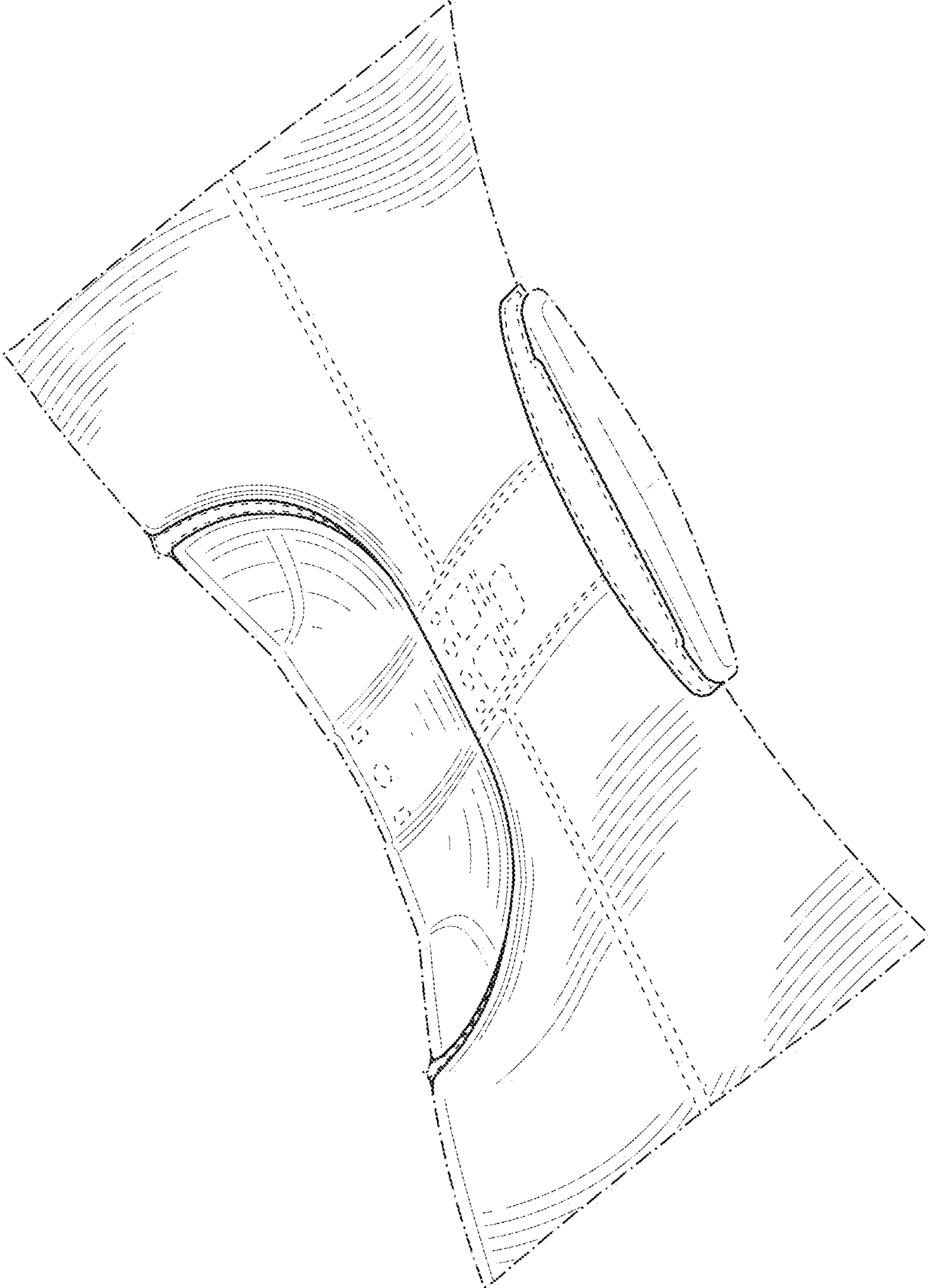


FIG. 2

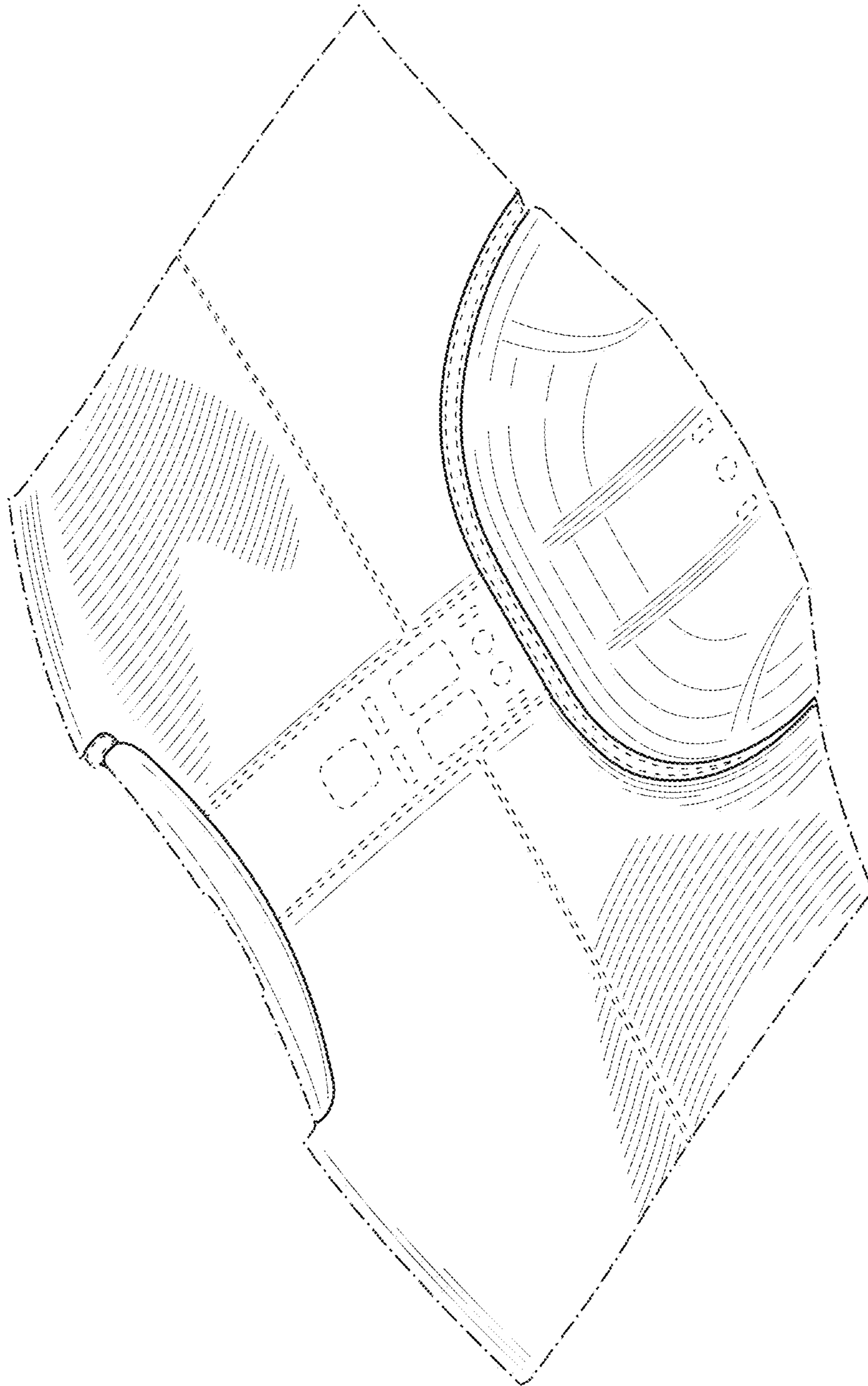


FIG. 3

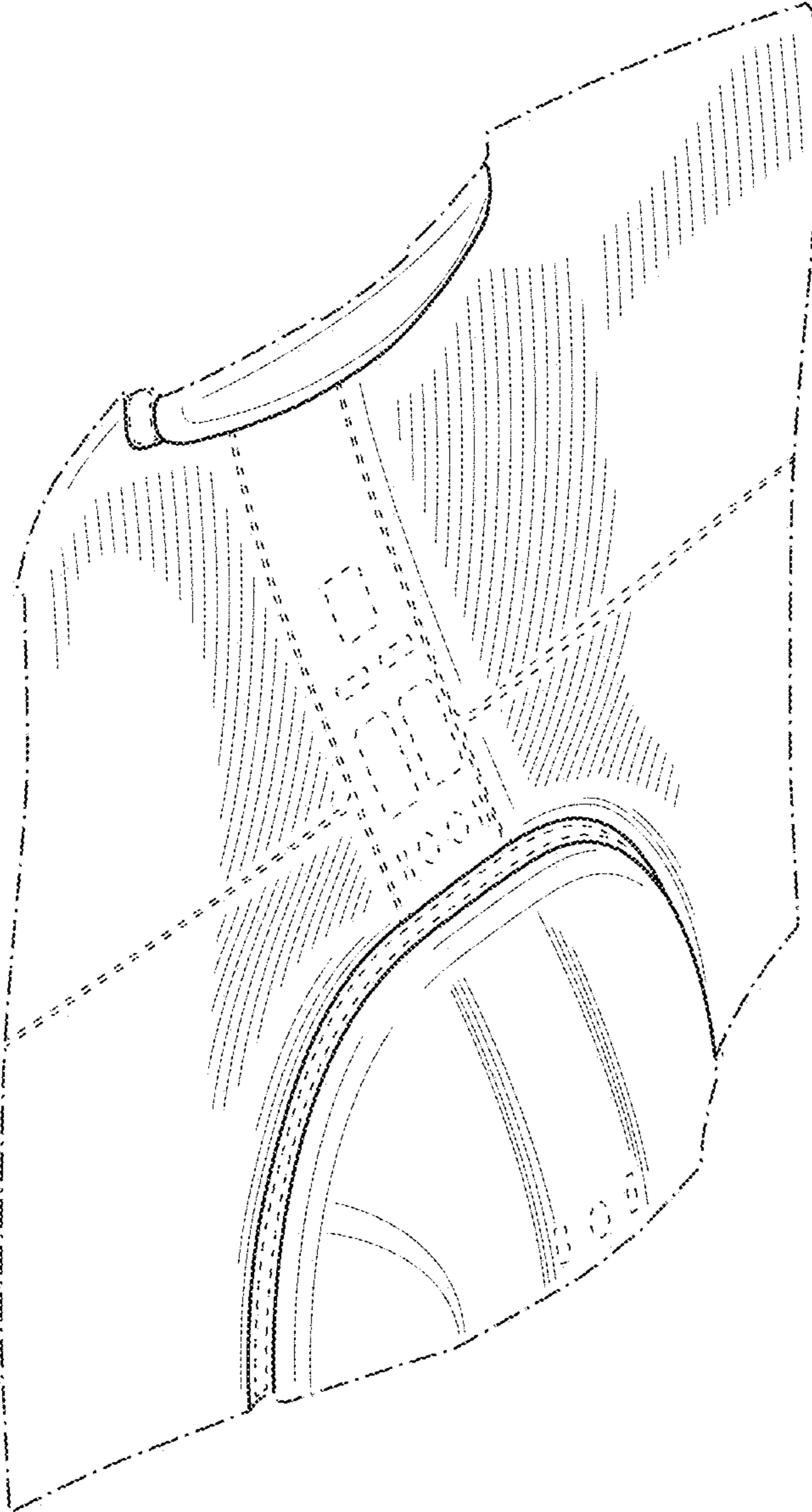


FIG. 4

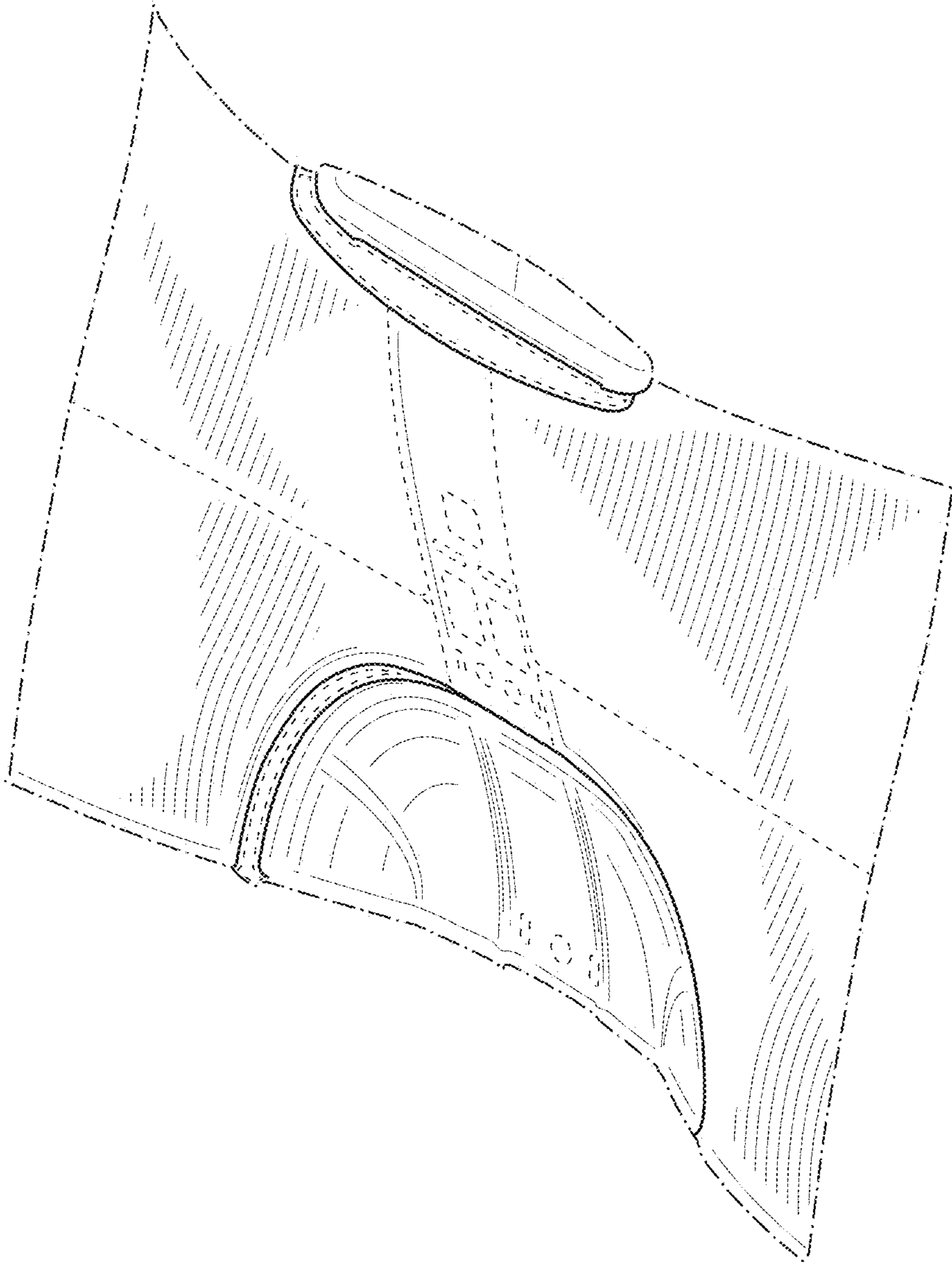


FIG. 5

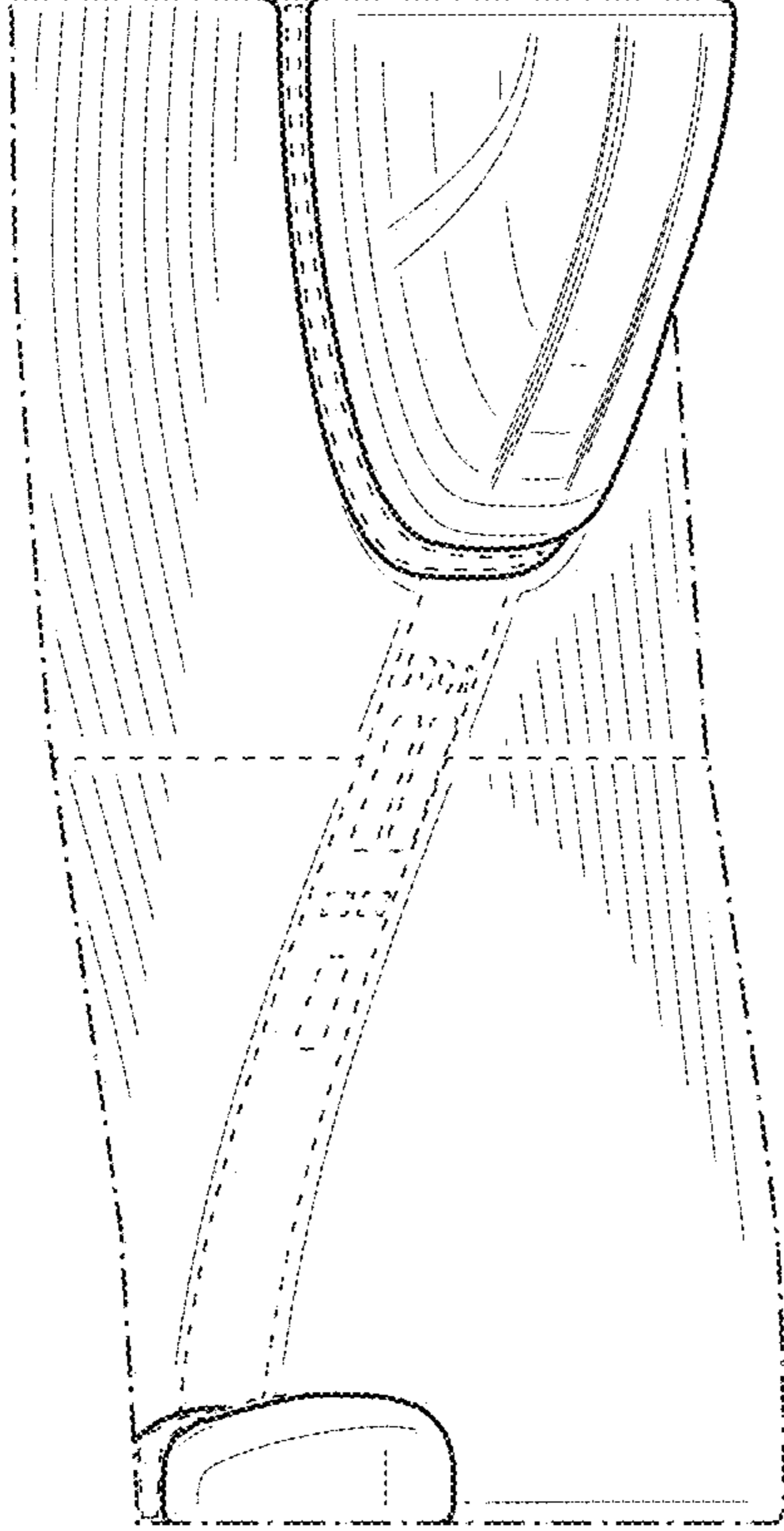


FIG. 6

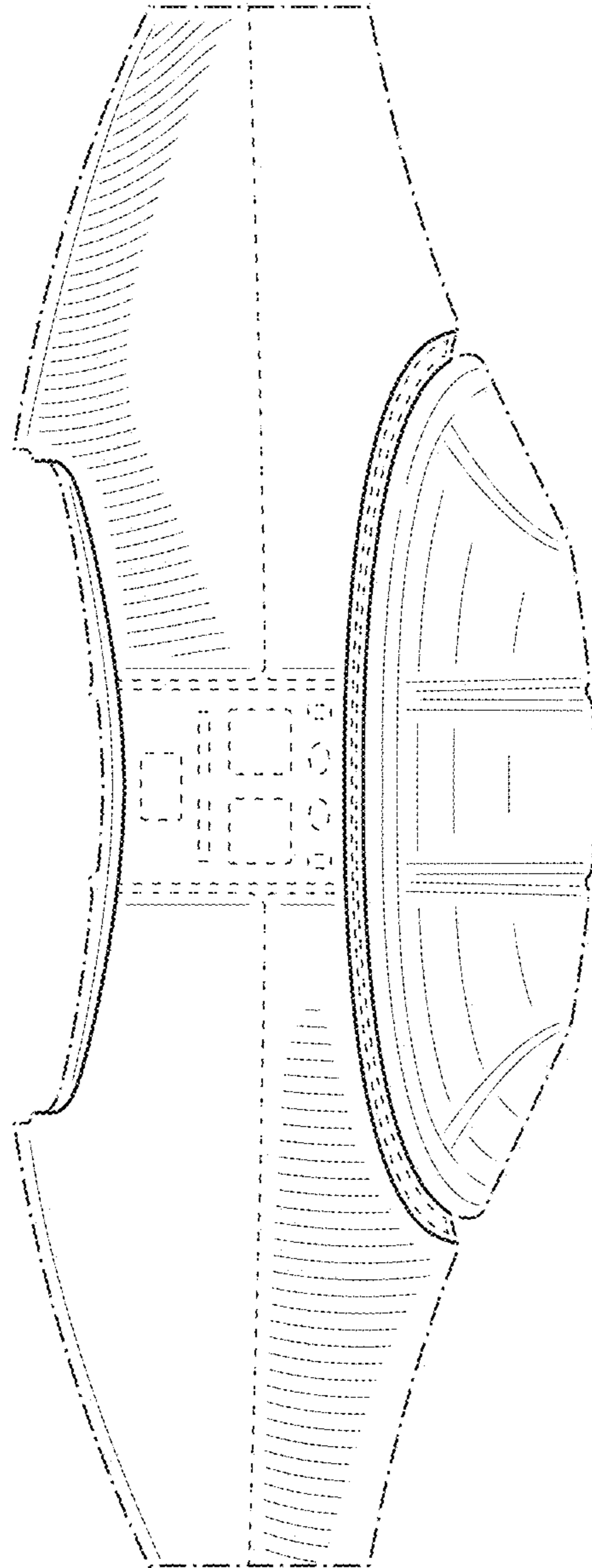


FIG. 7

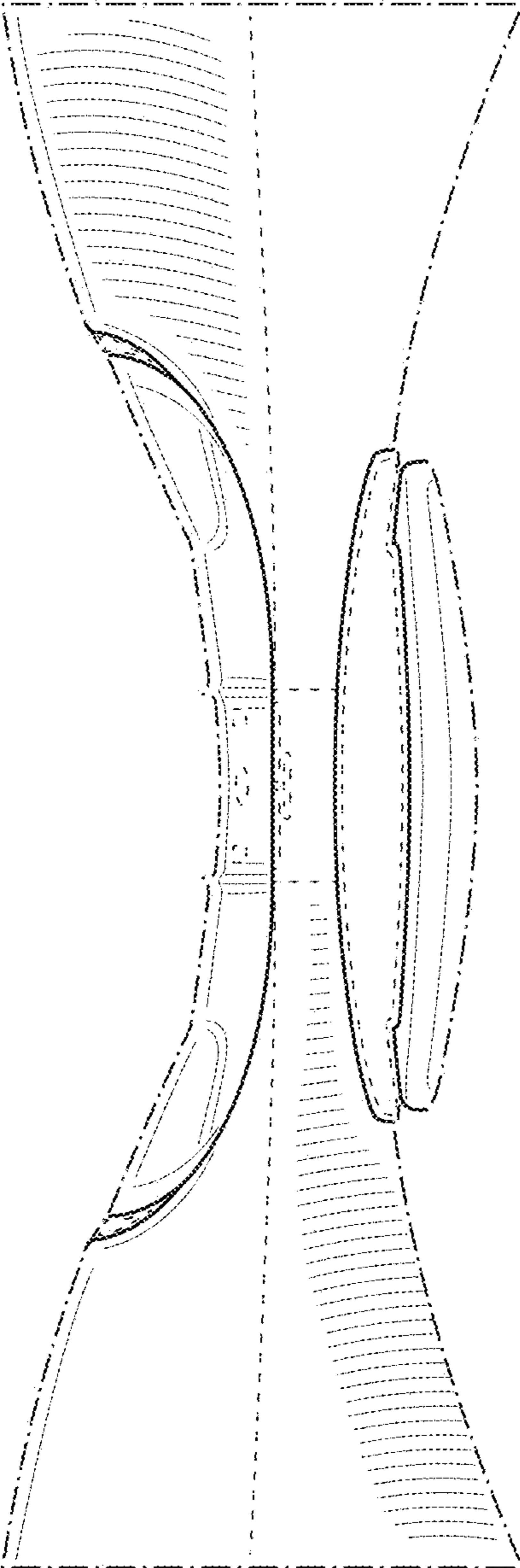


FIG. 8

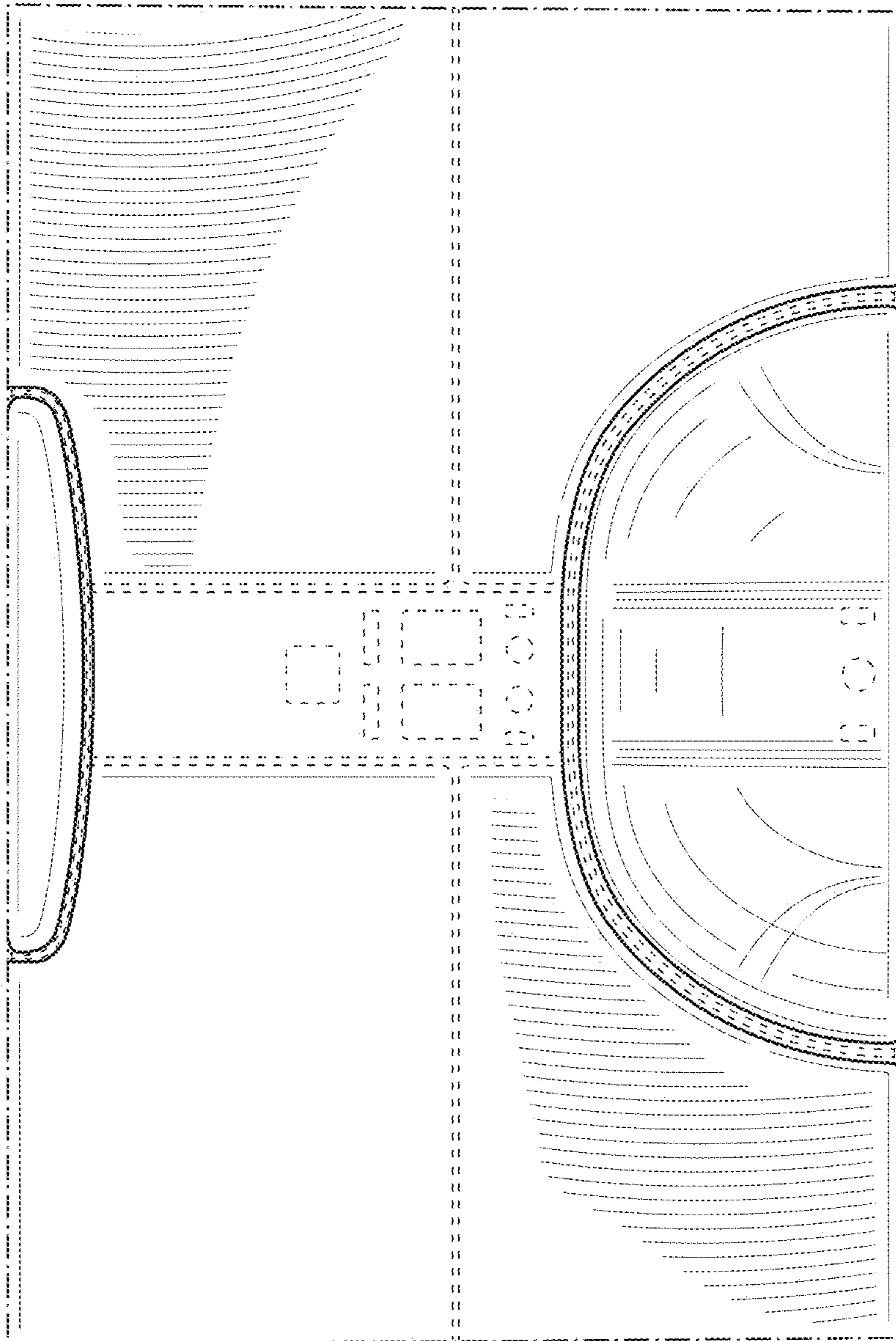


FIG. 9

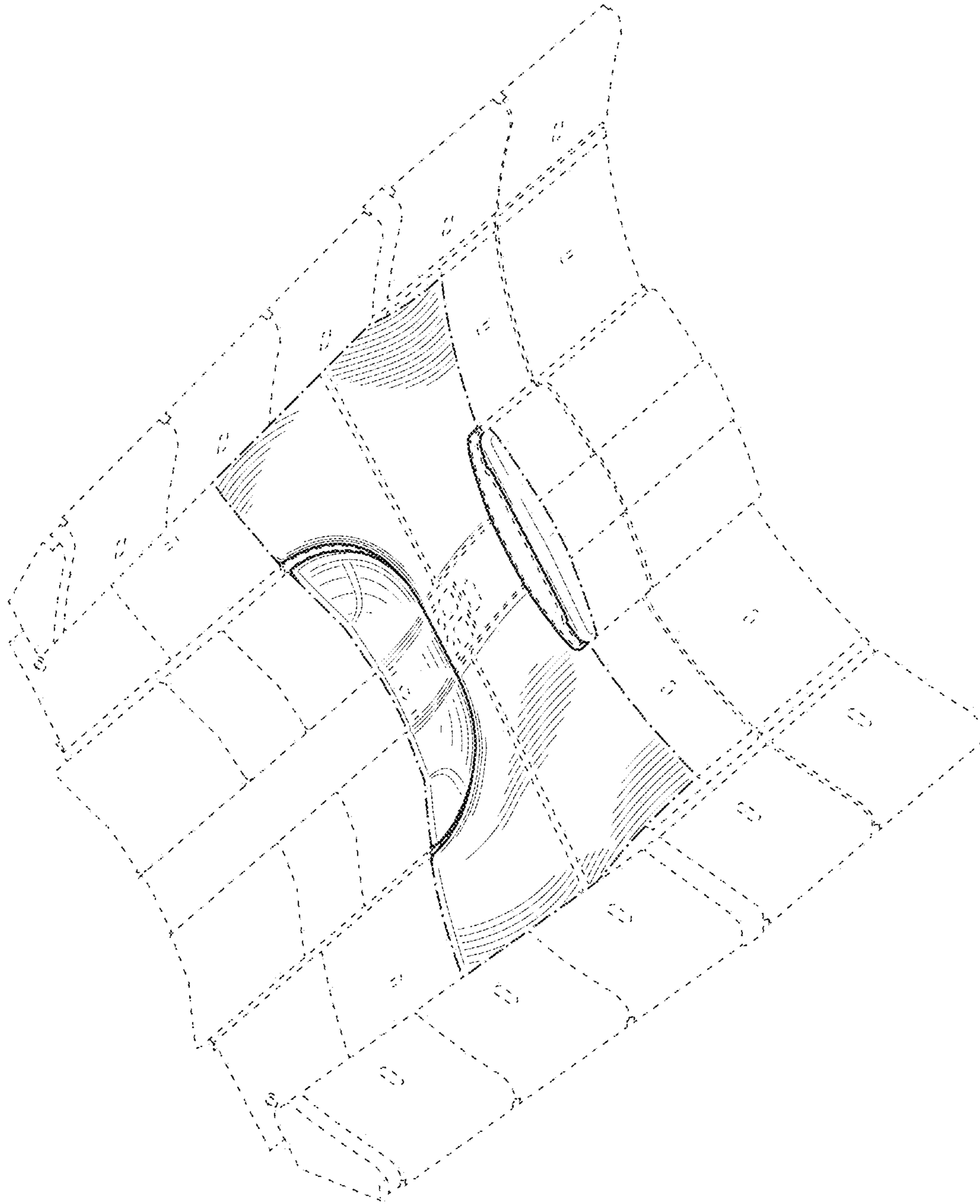


FIG. 10

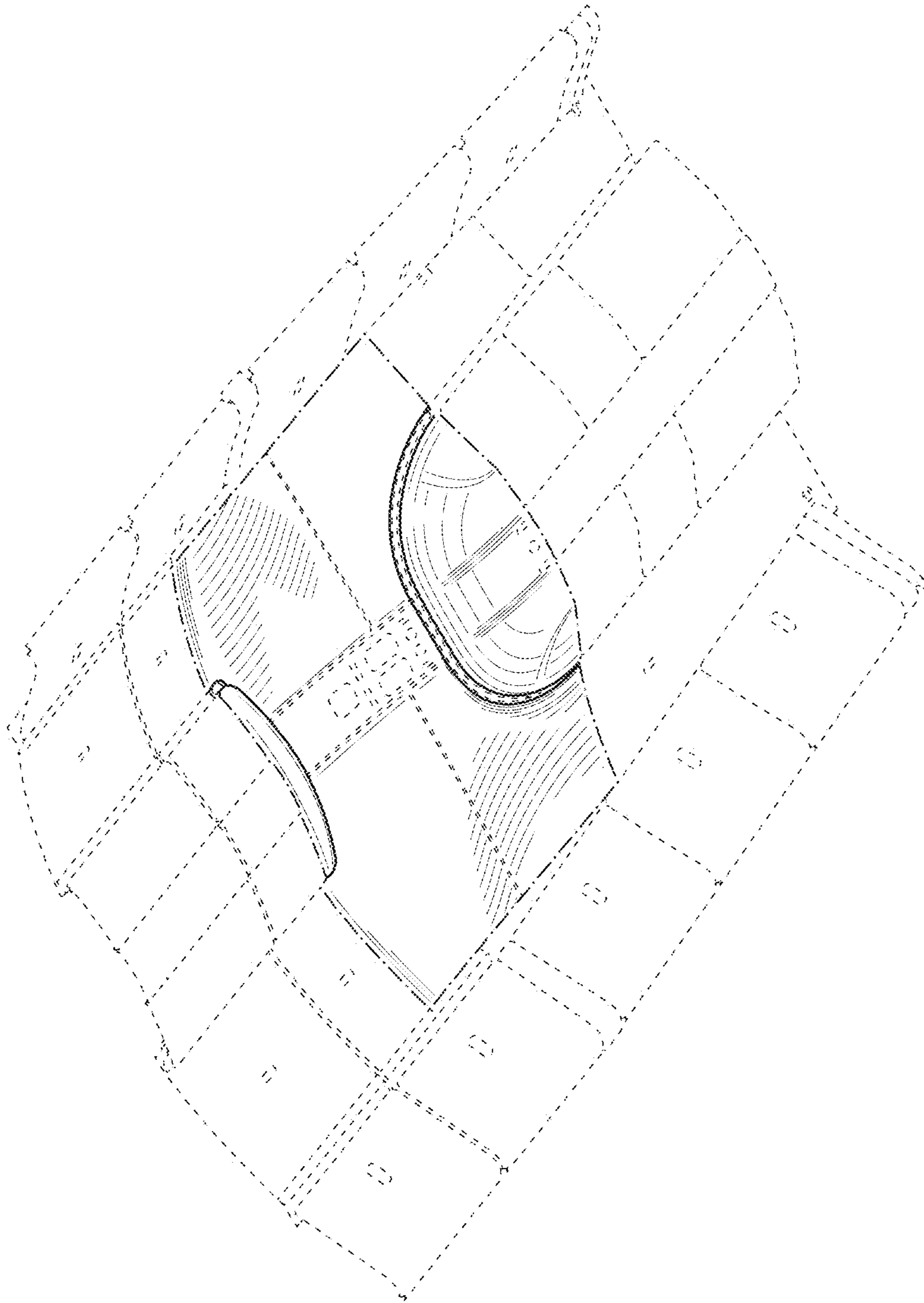


FIG. 11

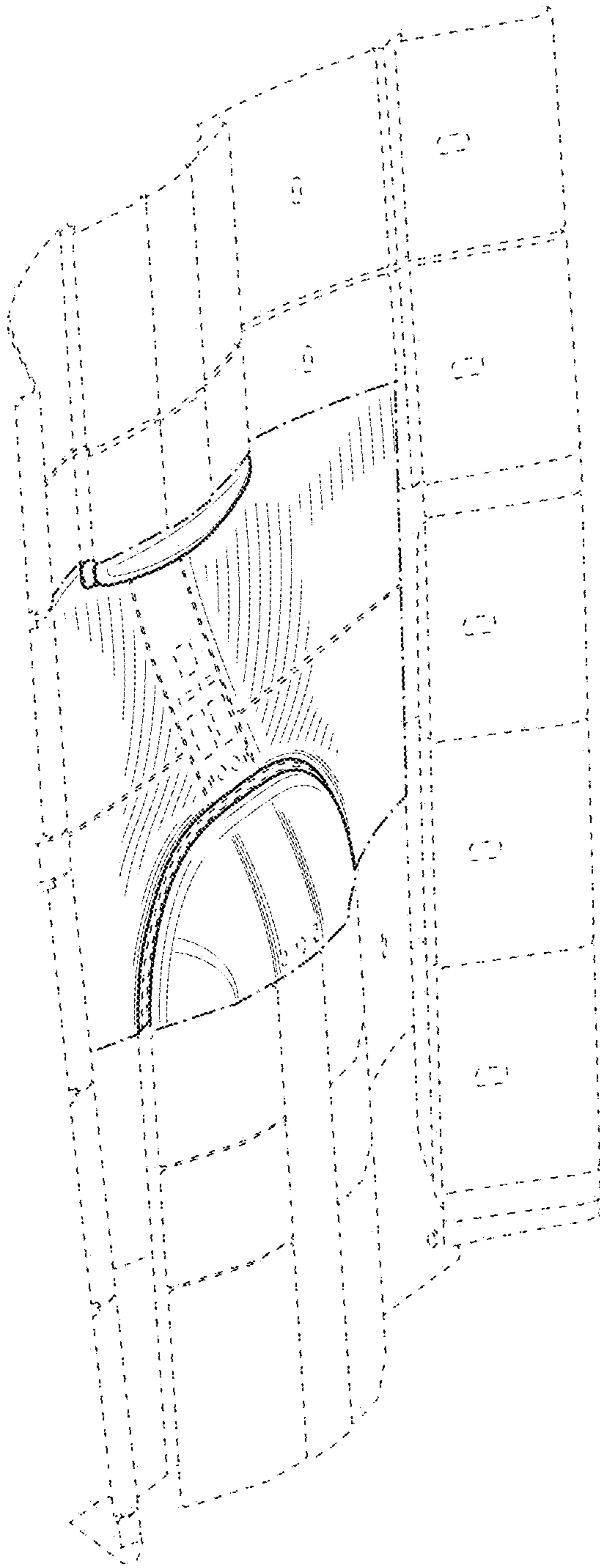


FIG. 12

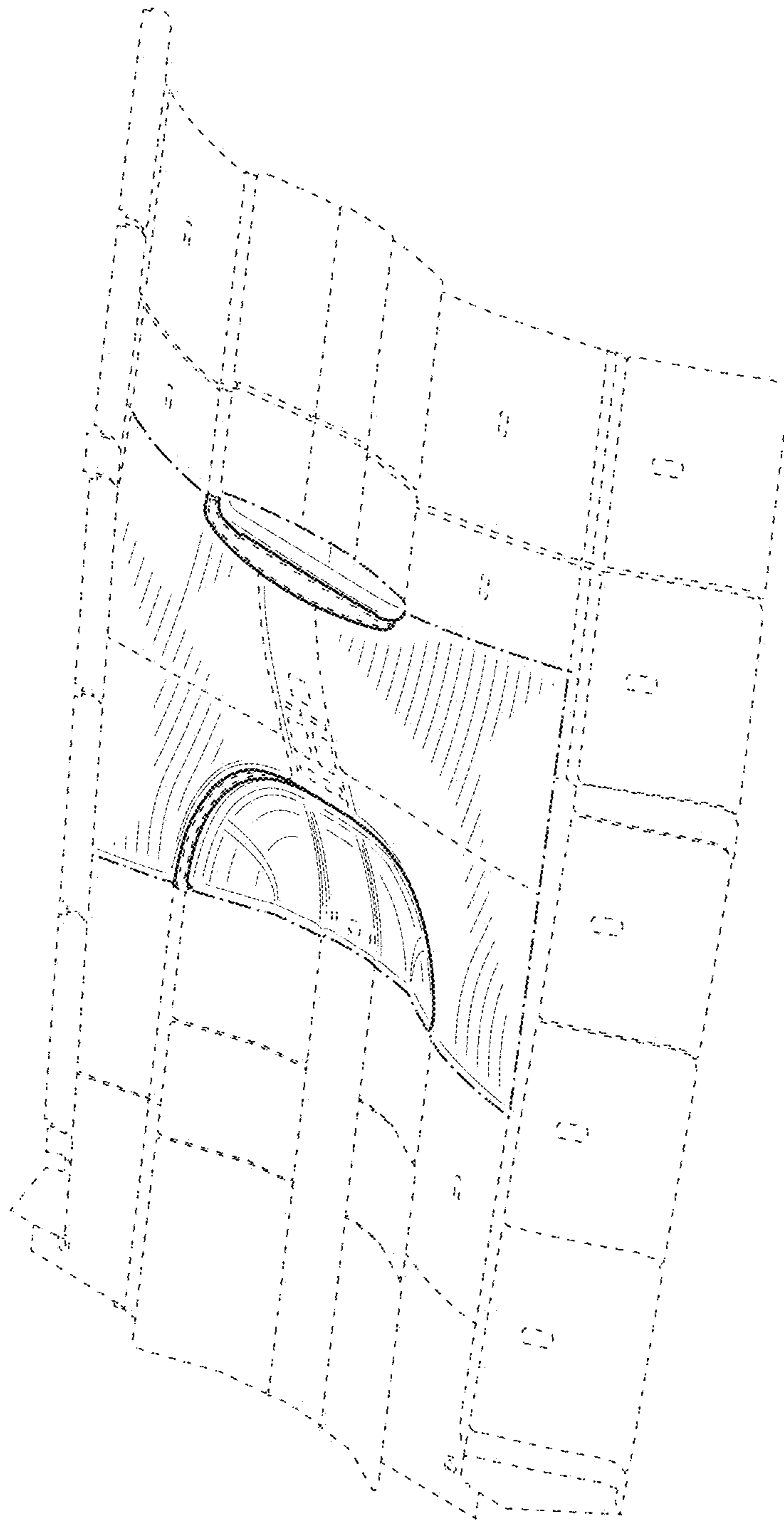


FIG. 13

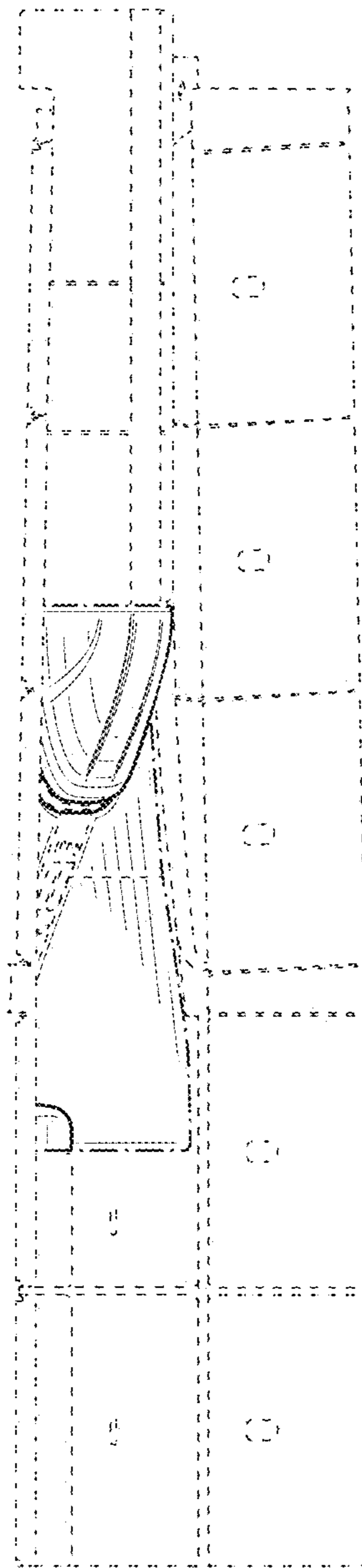


FIG. 14

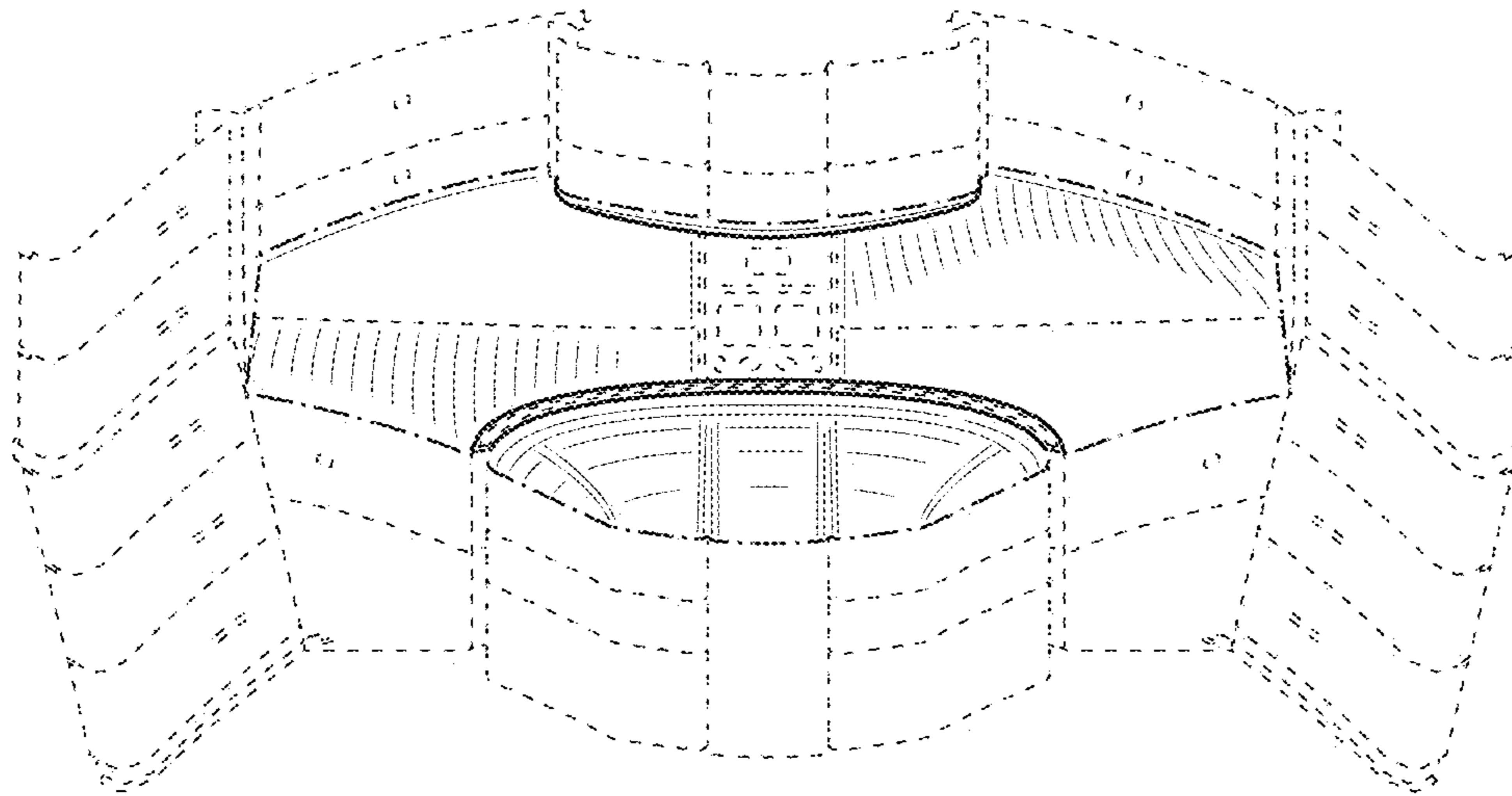


FIG. 15

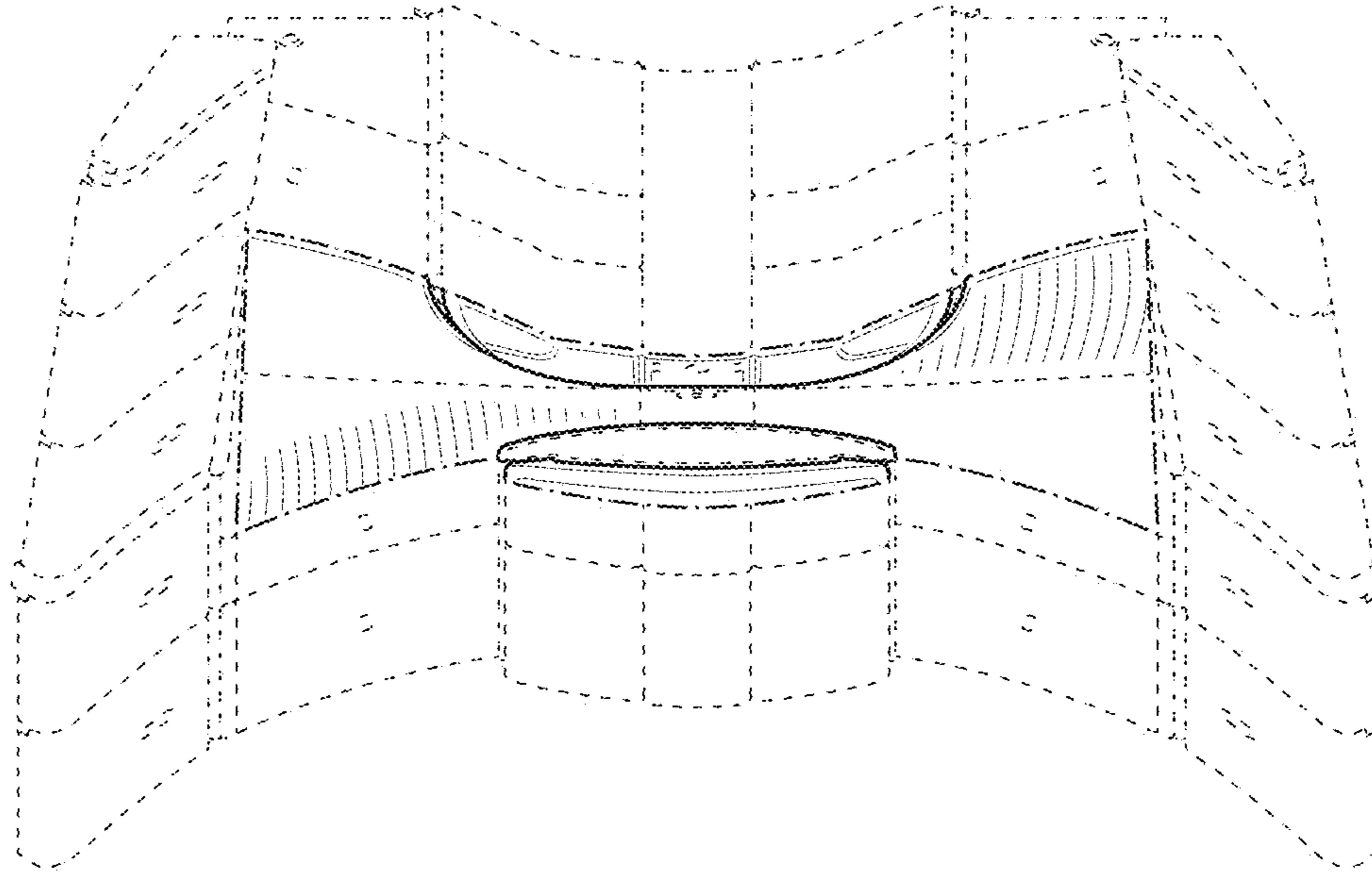


FIG. 16

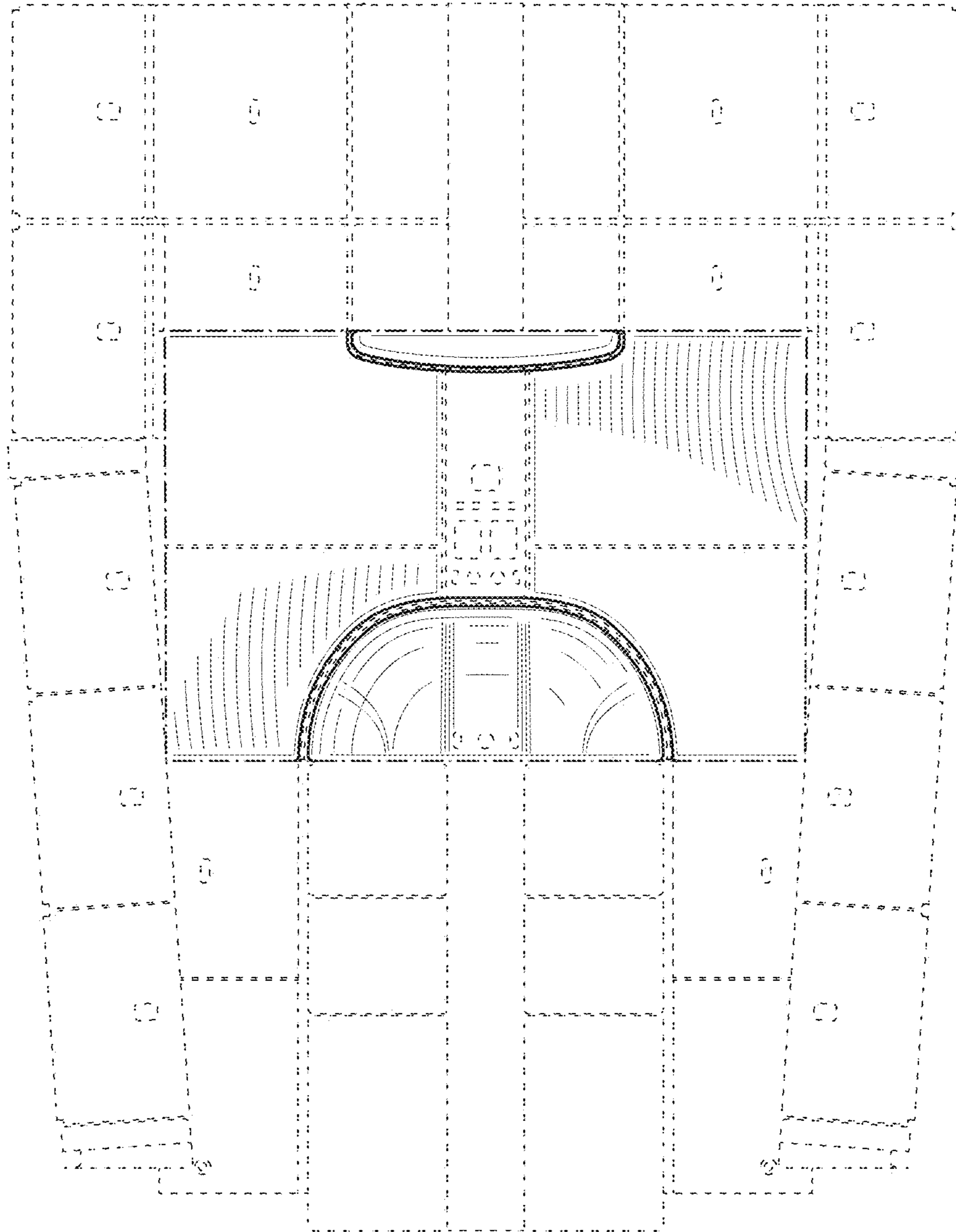


FIG. 17