



US00D923551S

(12) **United States Design Patent**
Frazier et al.

(10) **Patent No.:** **US D923,551 S**
(45) **Date of Patent:** **** Jun. 29, 2021**

(54) **STORAGE UNIT**

(71) Applicant: **HAECO Americas, Inc.**, Greensboro, NC (US)

(72) Inventors: **Meredith Ericka Frazier**, High Point, NC (US); **Brent Michael Decker**, High Point, NC (US); **Nicholas Michael Colbert**, Jamestown, NC (US); **Dustin Alan Thornton**, Greensboro, NC (US)

(73) Assignee: **HAECO Americas, LLC**, Greensboro, NC (US)

(**) Term: **15 Years**

(21) Appl. No.: **29/685,249**

(22) Filed: **Mar. 27, 2019**

(51) **LOC (13) Cl.** **12-16**

(52) **U.S. Cl.**
USPC **D12/418**

(58) **Field of Classification Search**
USPC 2/415-420, 40, 191, 106, 195, 345, 96, 2/99; D6/513, 514, 553, 556, 559, 611
CPC ... B64D 11/04; B64D 13/08; B60R 2011/005; B60R 11/02
See application file for complete search history.

(56) **References Cited**

U.S. PATENT DOCUMENTS

- D249,670 S * 9/1978 VanderWaal D12/416
- D256,229 S * 8/1980 Nichols D12/418
- D310,304 S * 9/1990 Carmichael D12/423
- D312,432 S * 11/1990 Lewis D12/413
- D325,125 S * 4/1992 Paul 296/37.15
- D432,492 S * 10/2000 Waskow D12/423
- D680,944 S * 4/2013 Aruga D12/418

- D784,905 S * 4/2017 Savian D12/345
- D873,204 S * 1/2020 Von Holzhausen D12/415
- D890,079 S * 7/2020 Chen D12/423
- D902,830 S * 11/2020 Savian D12/345
- D902,837 S * 11/2020 Robinson D12/418
- 2018/0050801 A1* 2/2018 Savian B64D 11/003

* cited by examiner

Primary Examiner — Katrina A Betton

(74) *Attorney, Agent, or Firm* — MacCord Mason PLLC

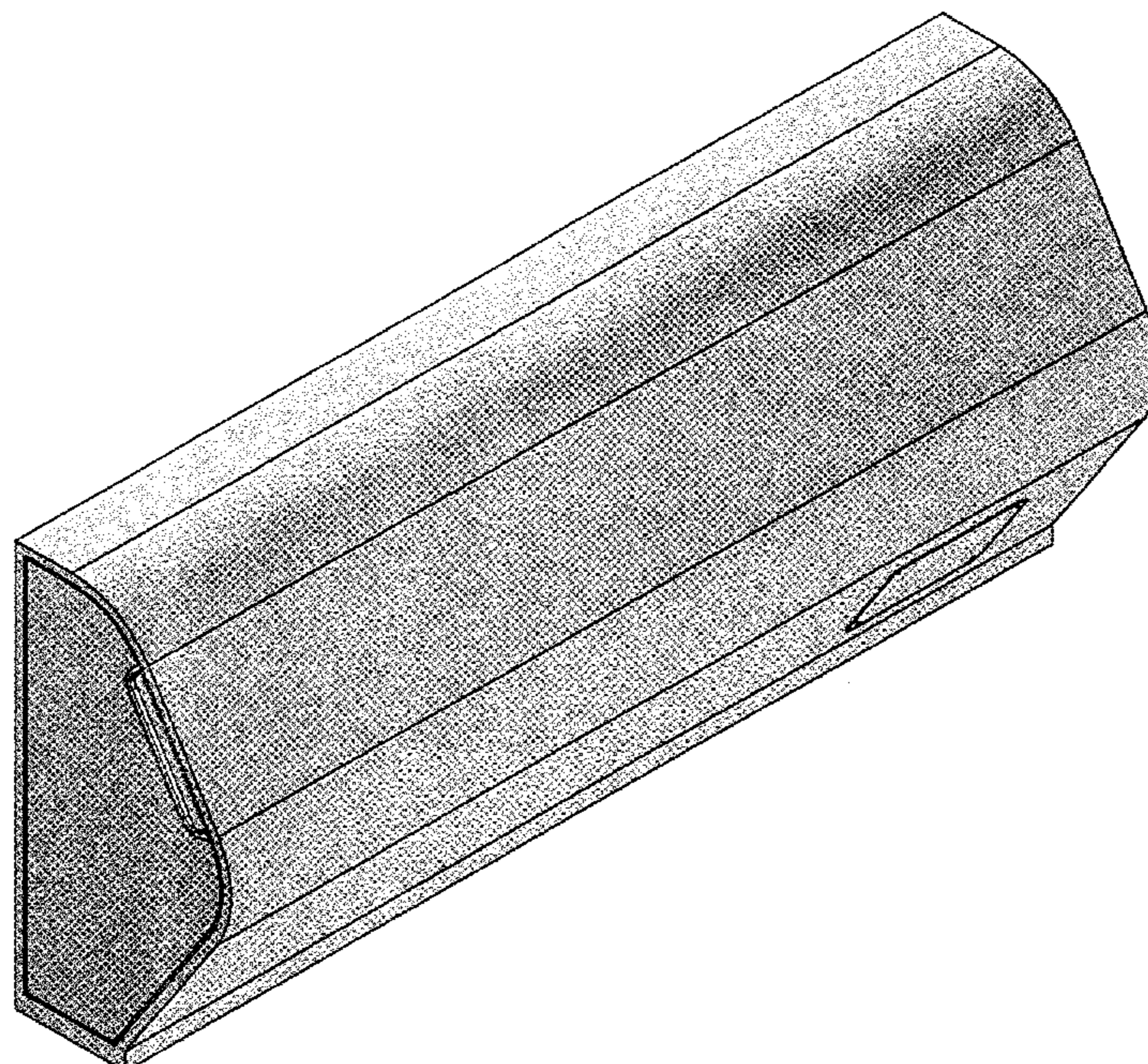
(57) **CLAIM**

The ornamental design for a storage unit, as shown and described.

DESCRIPTION

FIG. 1 is a front perspective view of a storage unit showing my new design;
 FIG. 2 is a front elevational view thereof;
 FIG. 3 is a right side view thereof;
 FIG. 4 is a left side view thereof;
 FIG. 5 is a rear elevational view thereof;
 FIG. 6 is a top view thereof;
 FIG. 7 is a front perspective view of the storage unit shown in FIG. 1 in an open position;
 FIG. 8 is a front perspective view of the storage unit shown in FIG. 1 in an open position with the pallet removed;
 FIG. 9 is a front perspective view of the storage unit shown in FIG. 1 in an open position with the pallet removed and the secondary storage drawer open; and,
 FIG. 10 is a front perspective view of the storage unit shown in FIG. 1 installed behind a row of aircraft passenger seats. The objects shown in dotted lines depict environment and form no part of the claimed design.

1 Claim, 10 Drawing Sheets



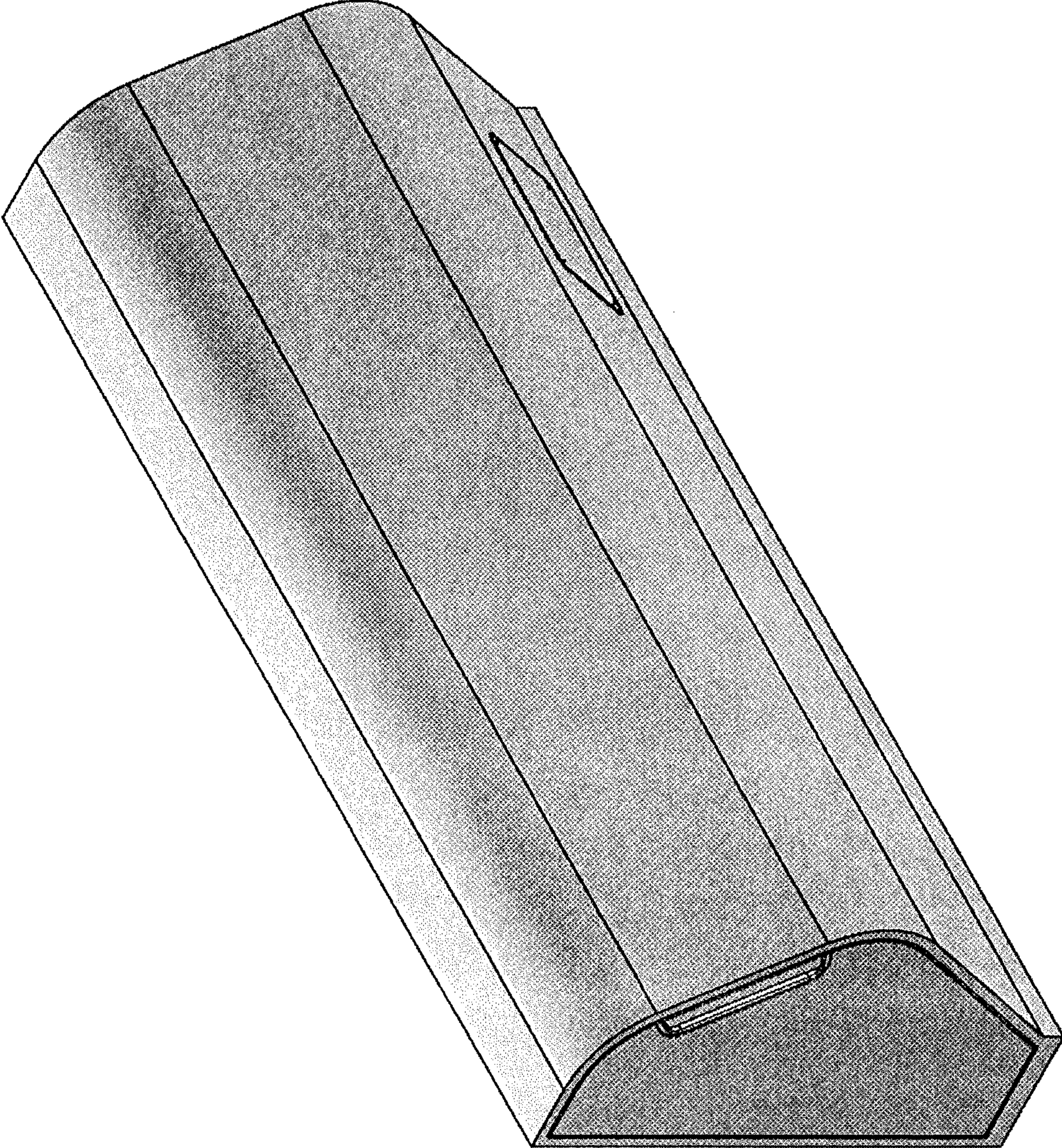


FIG. 1

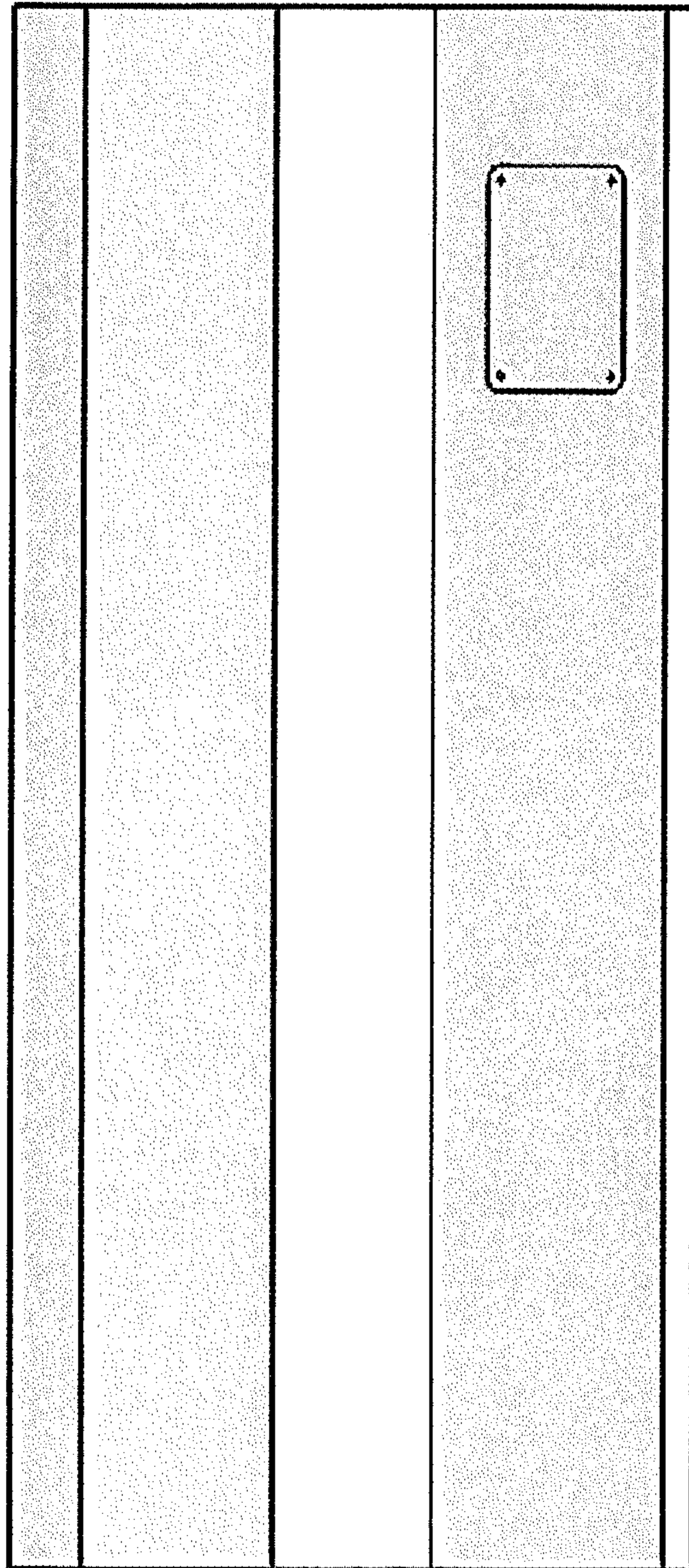


FIG. 2

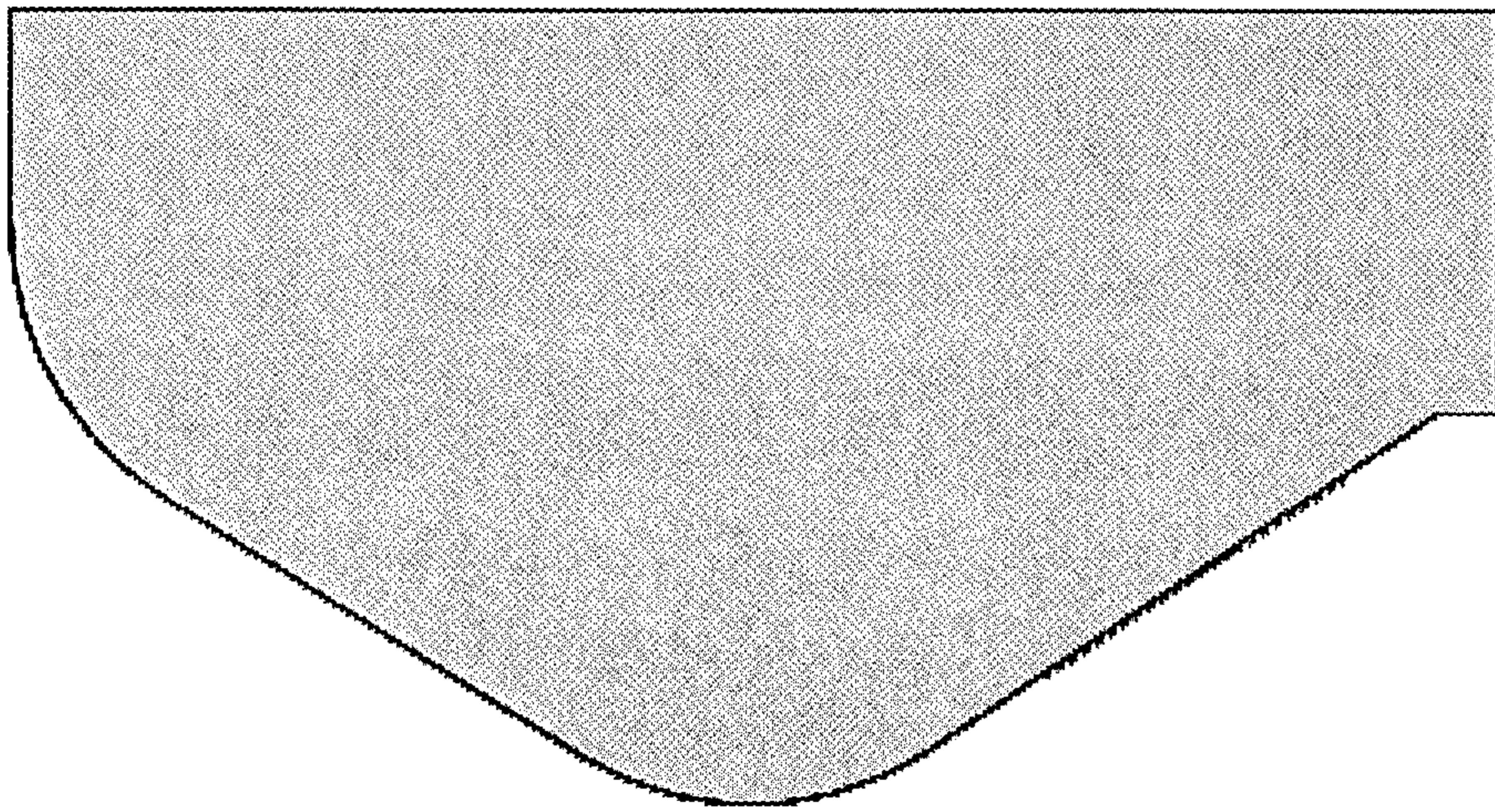


FIG. 3

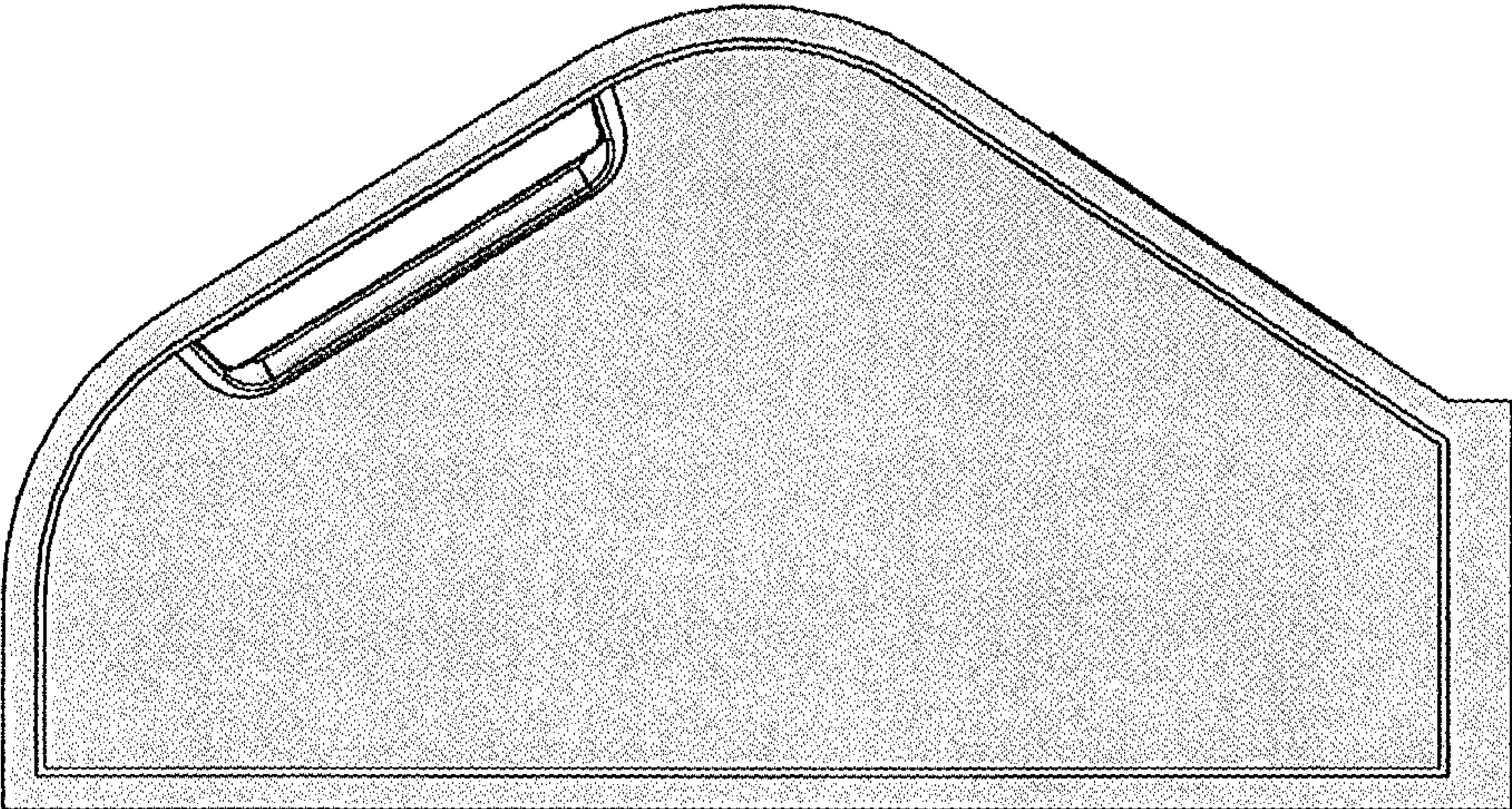


FIG. 4

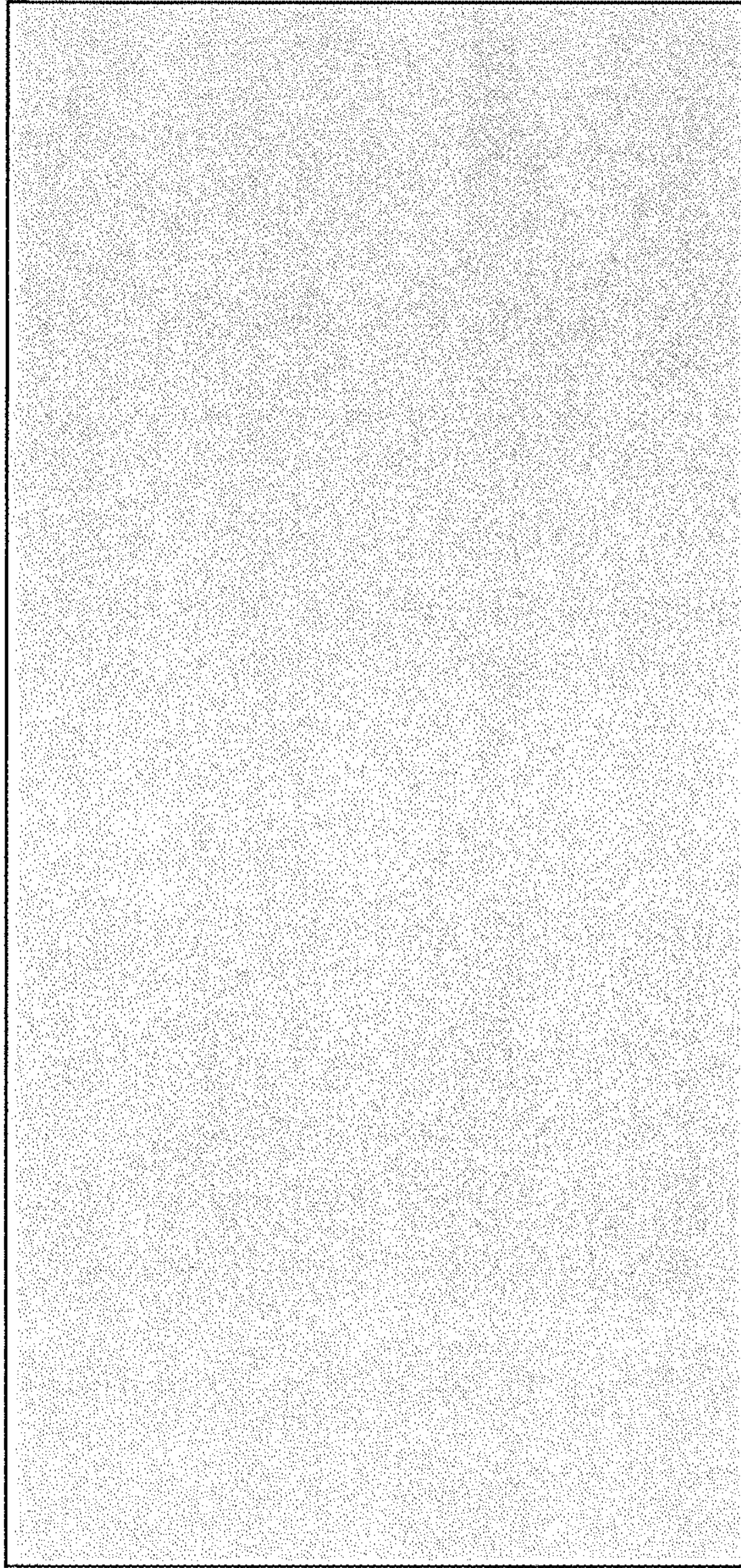


FIG. 5

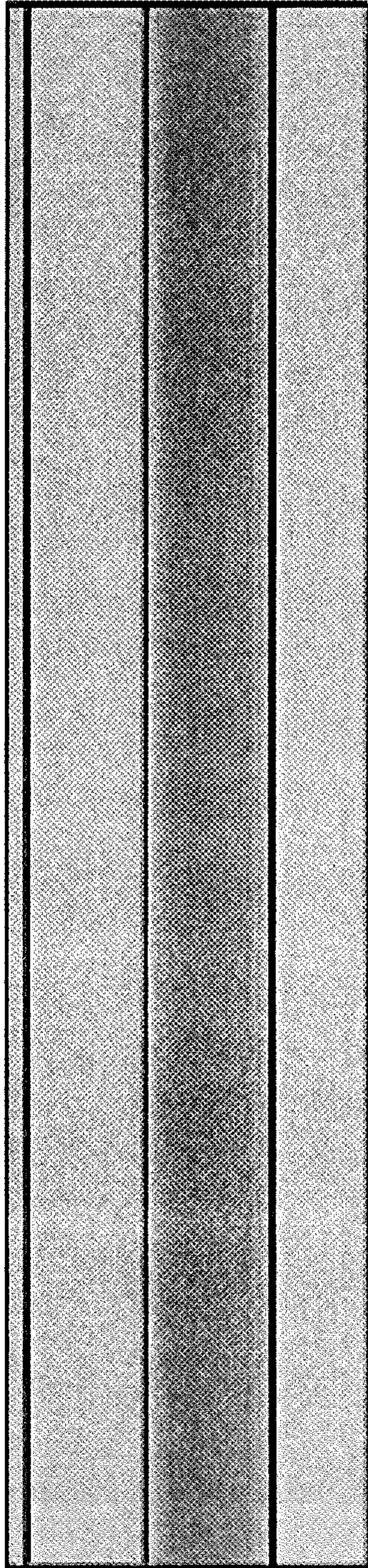


FIG. 6

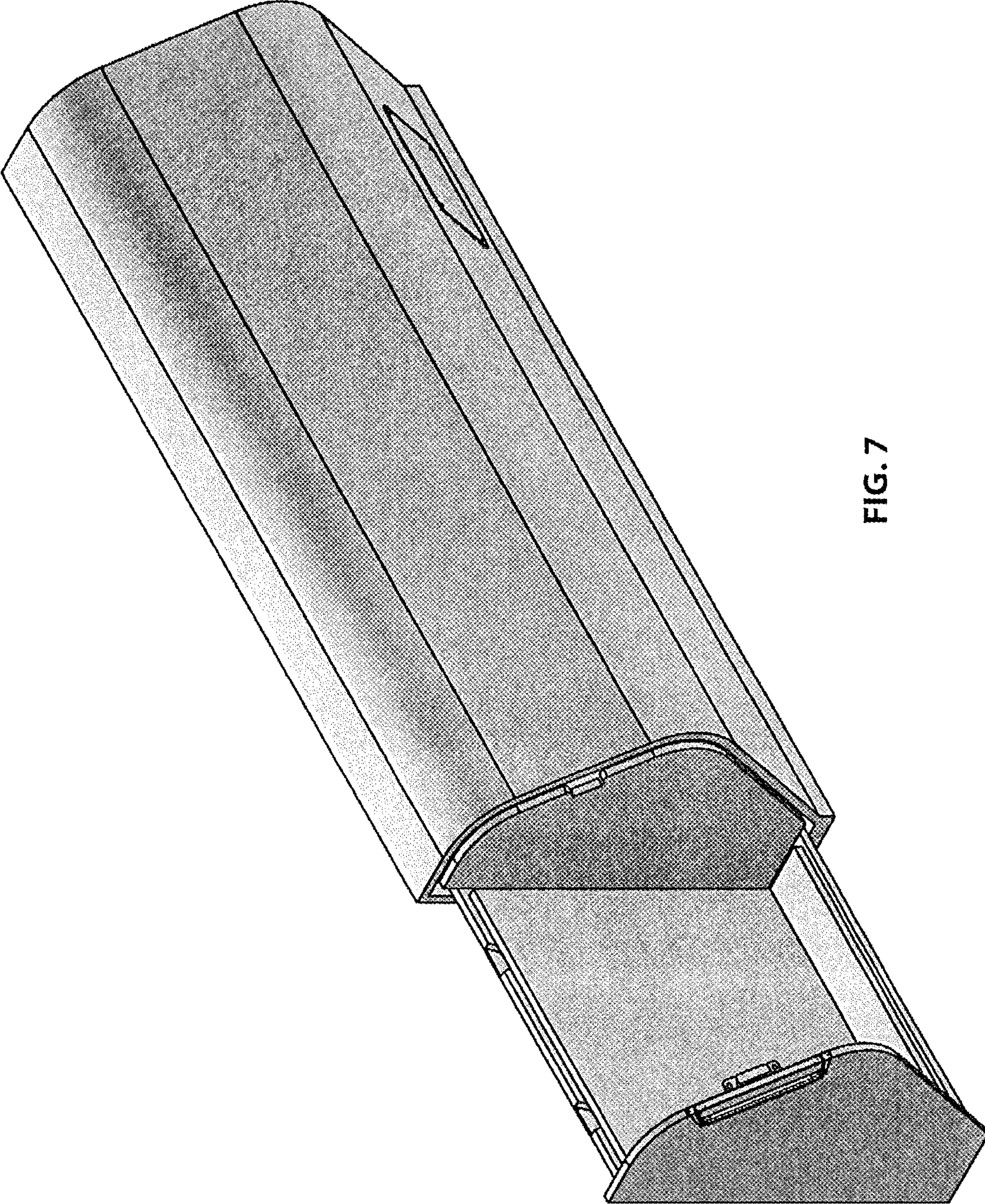


FIG. 7

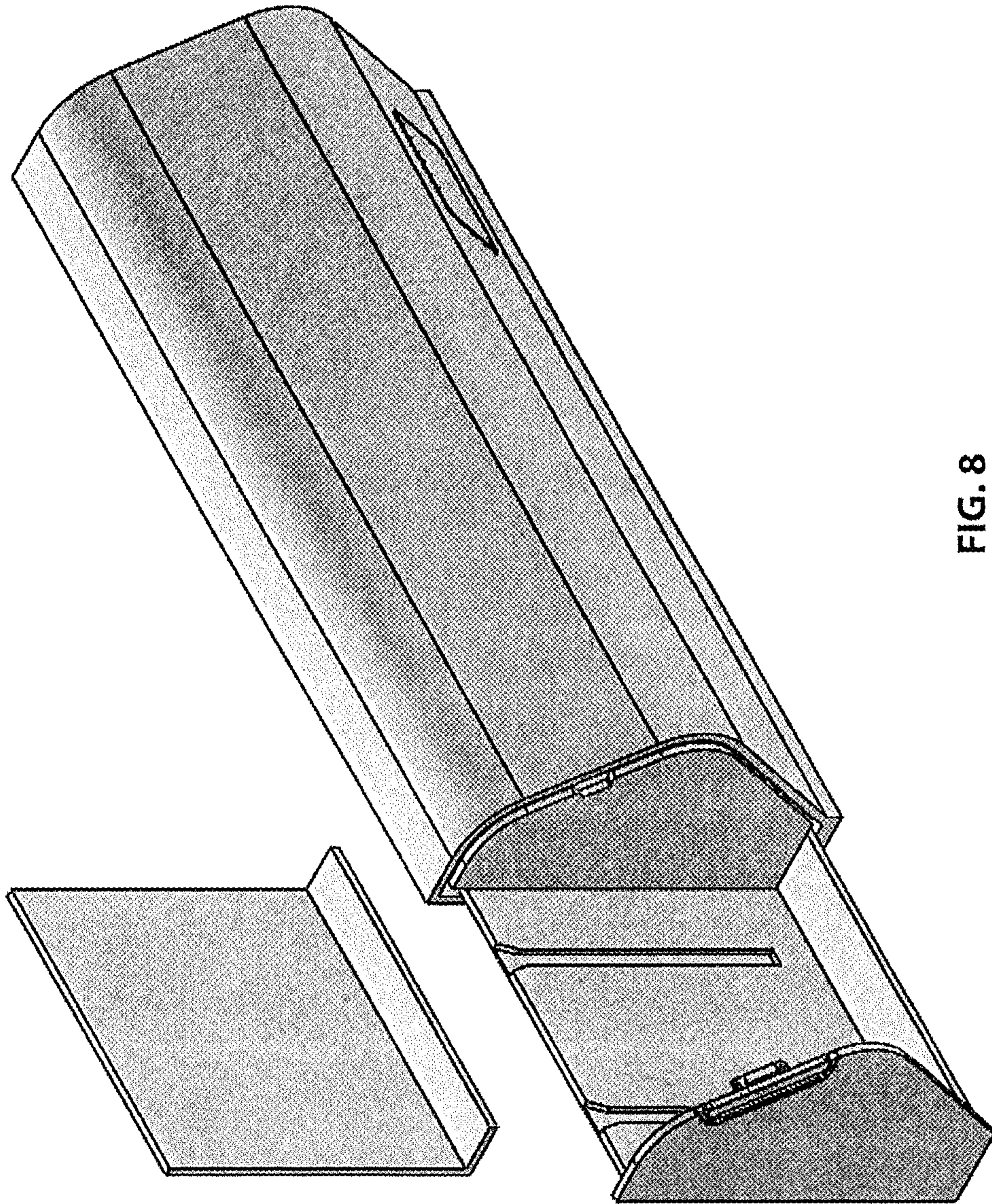


FIG. 8

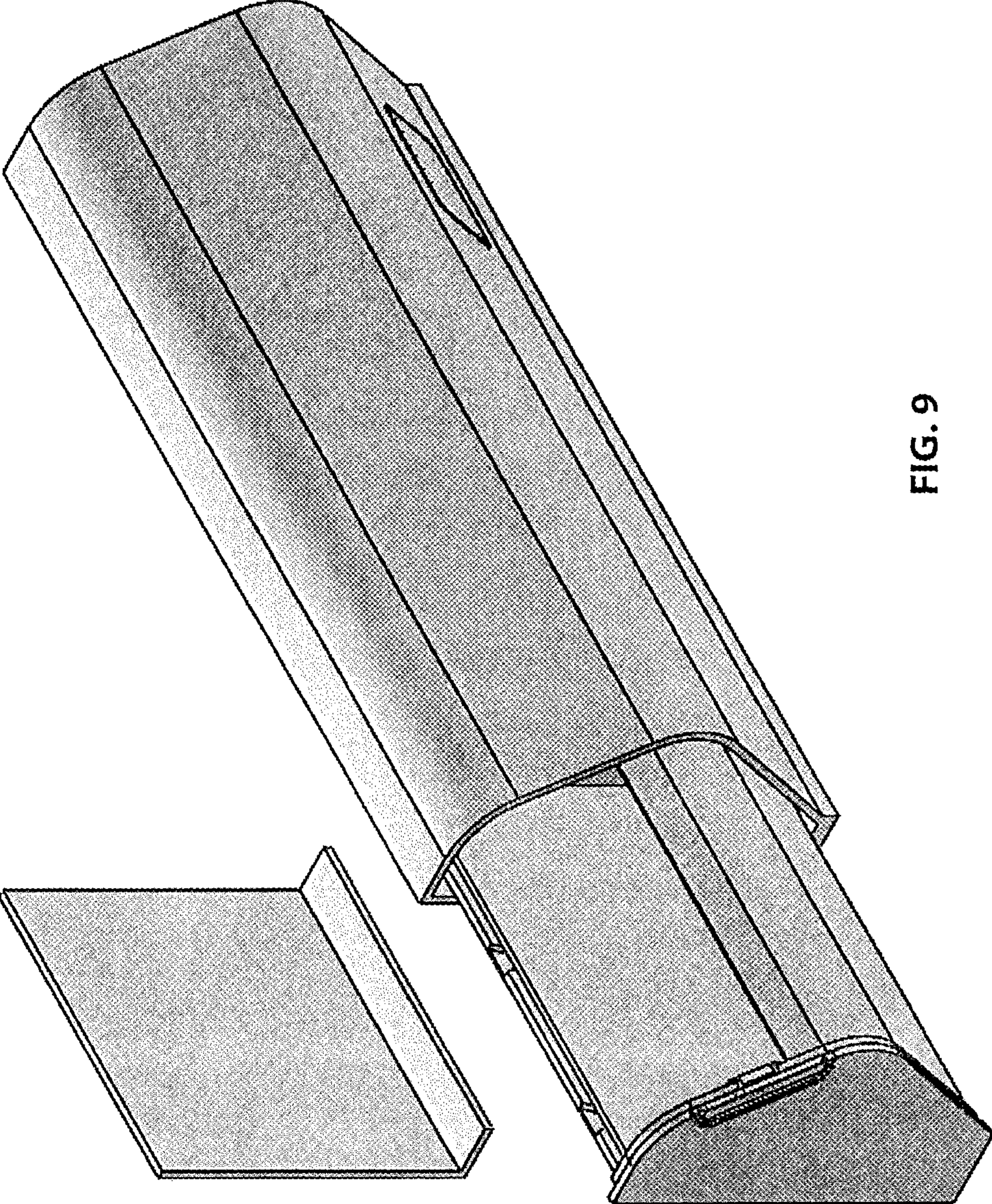


FIG. 9

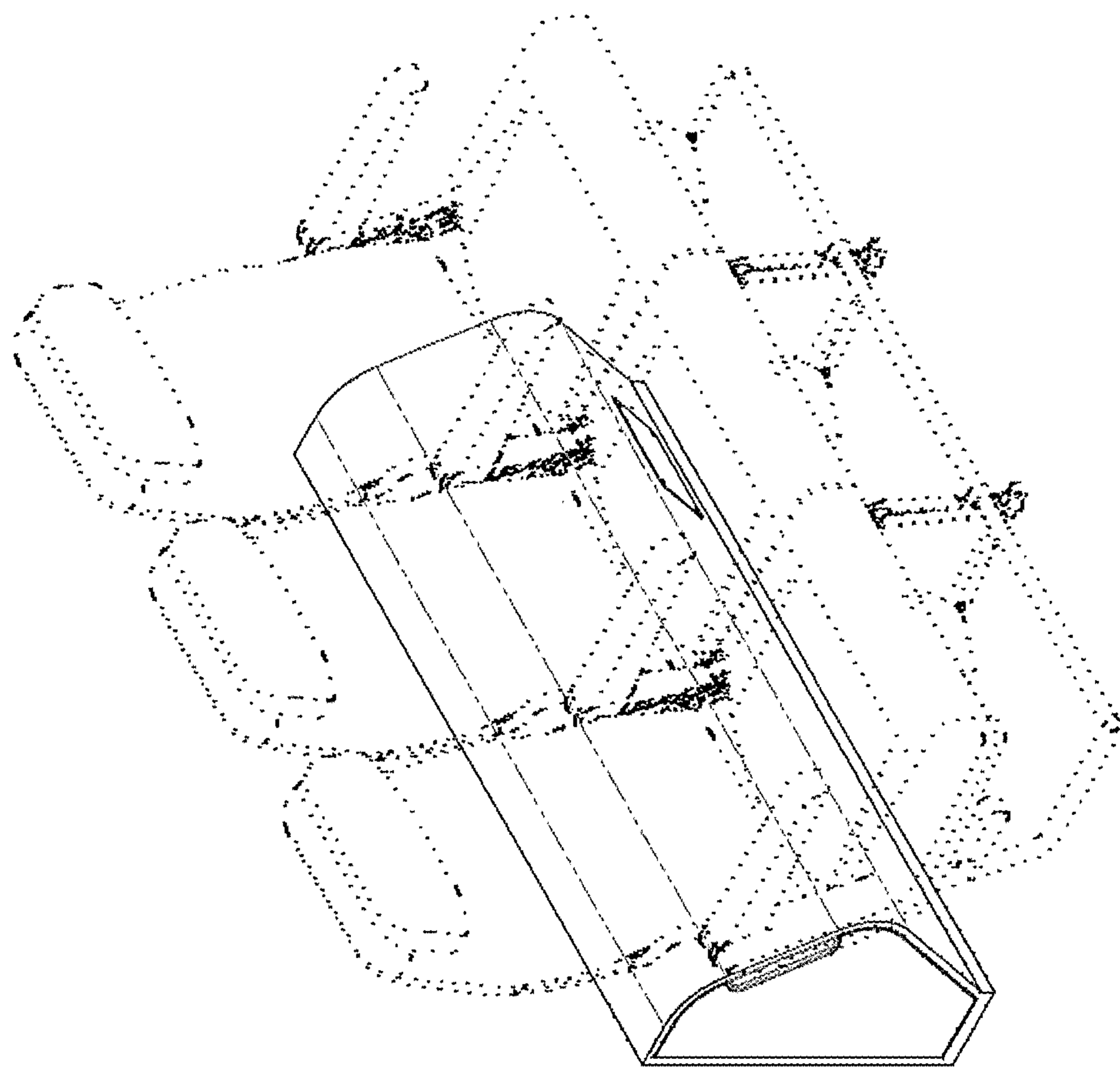


FIG. 10

UNITED STATES PATENT AND TRADEMARK OFFICE
CERTIFICATE OF CORRECTION

PATENT NO. : D923,551 S
APPLICATION NO. : 29/685249
DATED : June 29, 2021
INVENTOR(S) : Meredith Ericka Frazier et al.

Page 1 of 1

It is certified that error appears in the above-identified patent and that said Letters Patent is hereby corrected as shown below:

On the Title Page

Under DESCRIPTION Column 2:

Line 11, In FIG. 8, --perspective view of the storage unit show in in FIG. 1-- should read “perspective view of the storage unit shown in FIG. 1”

Line 13, In FIG. 9, --perspective view of the storage unit show in in FIG. 1-- should read “perspective view of the storage unit shown in FIG. 1”

Signed and Sealed this
Seventeenth Day of August, 2021



Drew Hirshfeld
*Performing the Functions and Duties of the
Under Secretary of Commerce for Intellectual Property and
Director of the United States Patent and Trademark Office*