



US00D923545S

(12) **United States Design Patent**
Li

(10) **Patent No.:** **US D923,545 S**

(45) **Date of Patent:** **** Jun. 29, 2021**

(54) **DOOR ROCKER PANEL**

(71) Applicant: **Xueming Li**, Huizhou (CN)

(72) Inventor: **Xueming Li**, Huizhou (CN)

(**) Term: **15 Years**

(21) Appl. No.: **29/757,652**

(22) Filed: **Nov. 8, 2020**

(51) **LOC (13) Cl.** **12-16**

(52) **U.S. Cl.**
USPC **D12/196**

(58) **Field of Classification Search**
USPC D12/86, 90-93, 96, 97, 99, 181, 184,
D12/190, 196, 400, 401
CPC B62D 25/025; B62D 25/2036; B60R 13/04
See application file for complete search history.

(56) **References Cited**

U.S. PATENT DOCUMENTS

D105,114 S *	6/1937	Larsen	D12/401
D357,666 S *	4/1995	Ramaciotti	D12/196
D387,309 S *	12/1997	Syring	D12/92
D420,622 S *	2/2000	Hellhake	D12/96
D600,185 S *	9/2009	Habib	D12/190
D615,017 S	5/2010	Smith		
D660,753 S *	5/2012	Faghihzadeh	D12/190
D708,105 S *	7/2014	Leetz	D12/196
D708,552 S *	7/2014	De Bono	D12/91
D709,419 S *	7/2014	Watkins	D12/190
D746,200 S *	12/2015	Leetz	D12/190
D763,152 S *	8/2016	Frascella	D12/190
D772,771 S *	11/2016	Battams	D12/196
D780,065 S *	2/2017	Suzuki	D12/91
D784,887 S *	4/2017	Woolley	D12/196

D894,070 S *	8/2020	Patel	D12/190
D899,984 S *	10/2020	Gregory	D12/190
D906,211 S *	12/2020	Manzoni	D12/196

FOREIGN PATENT DOCUMENTS

WO	D060386-005	*	7/2002
WO	D069623-013	*	6/2008
WO	D090065-020	*	4/2016

* cited by examiner

Primary Examiner — Leanne Was-Englehart

(74) *Attorney, Agent, or Firm* — W&K IP

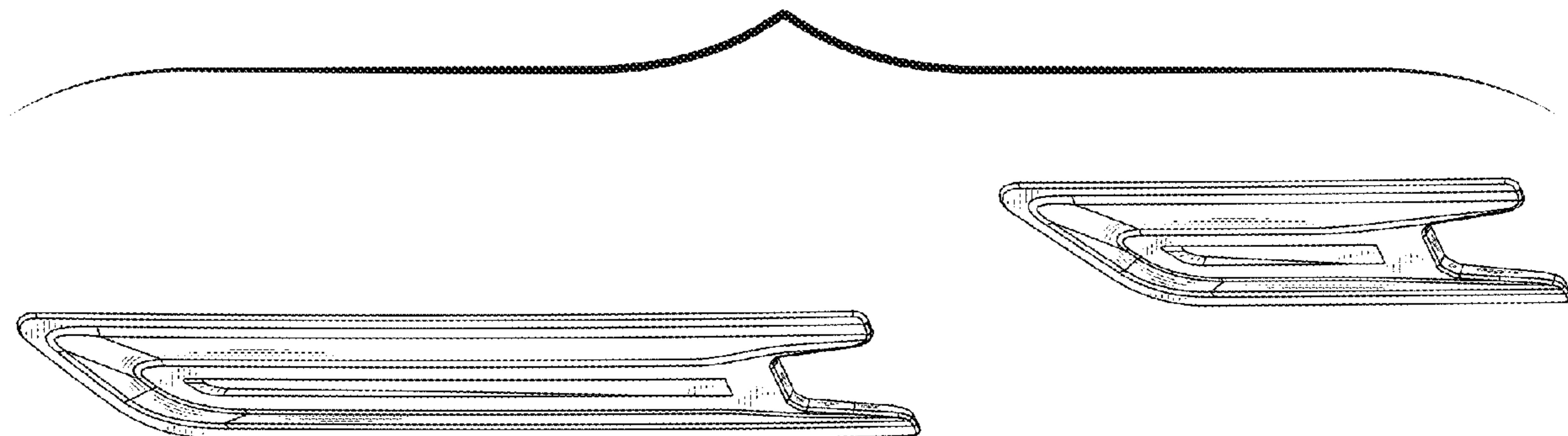
(57) **CLAIM**

The ornamental design for a door rocker panel, as shown and described.

DESCRIPTION

FIG. 1 is a perspective view of a door rocker panel showing my new design;
 FIG. 2 is a front view thereof;
 FIG. 3 is a rear view thereof;
 FIG. 4 is a left side view thereof;
 FIG. 5 is a right side view thereof;
 FIG. 6 is a top plan view thereof;
 FIG. 7 is a bottom plan view thereof;
 FIG. 8 is another perspective view thereof; and,
 FIG. 9 is an enlarged view of portion of FIG. 8.
 The dashed or broken lines shown in the drawings depict portions of the door rocker panel in which the design is embodied that form no part of the claimed design.

1 Claim, 9 Drawing Sheets



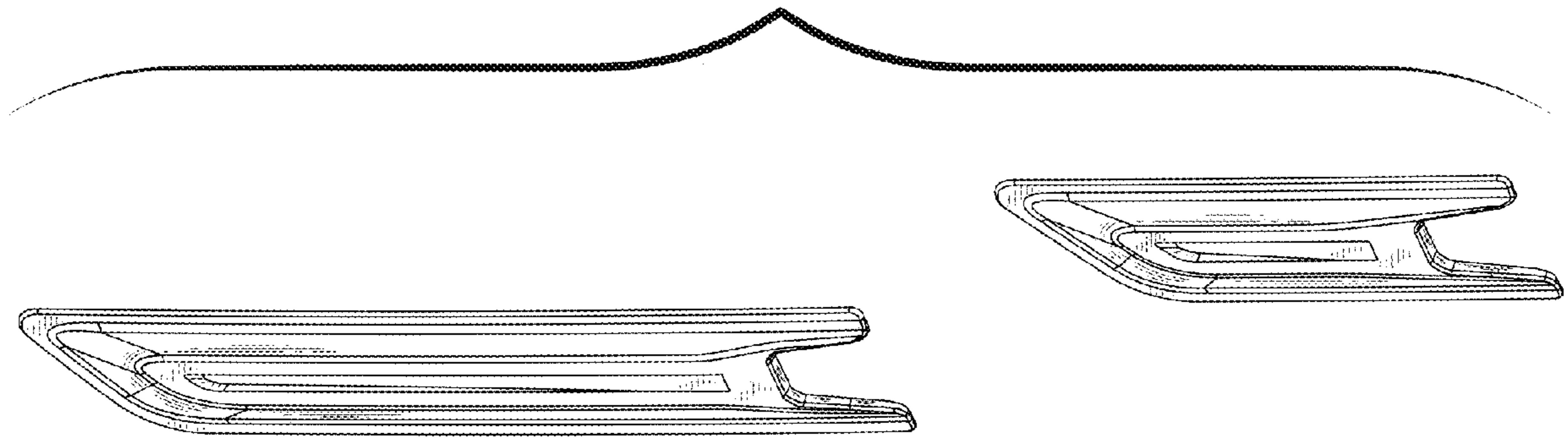


FIG.1

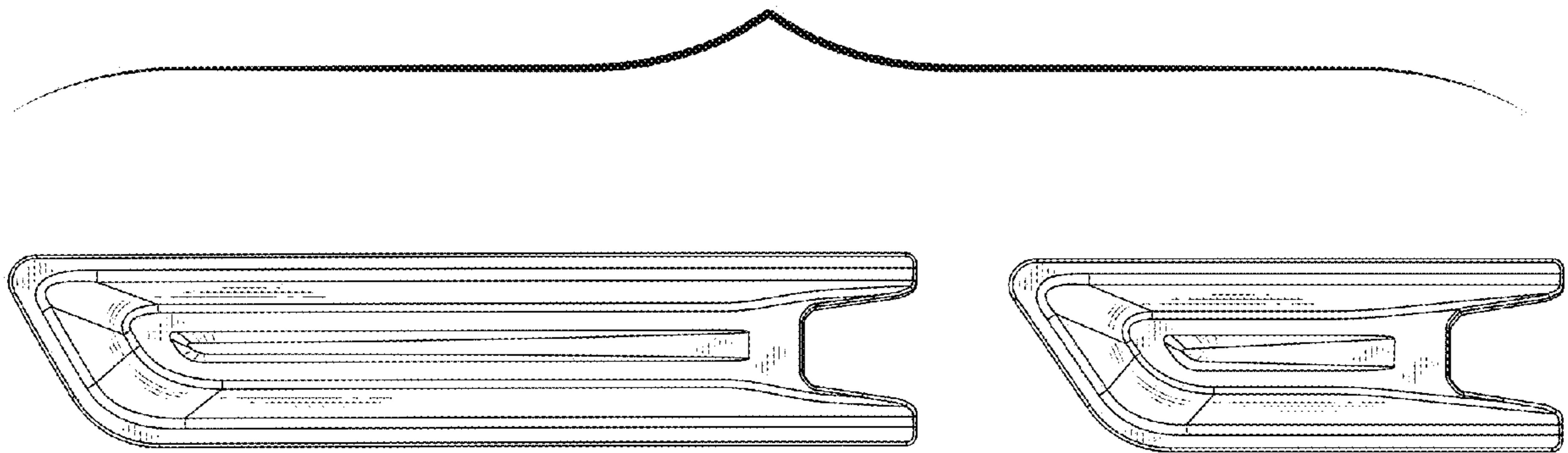


FIG.2

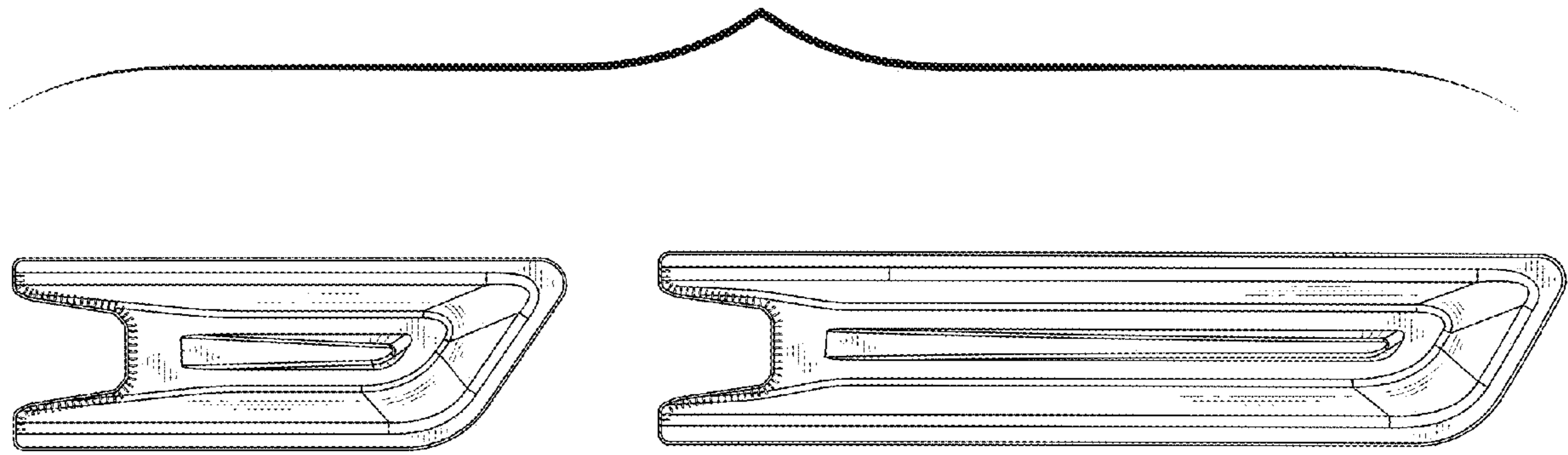


FIG.3

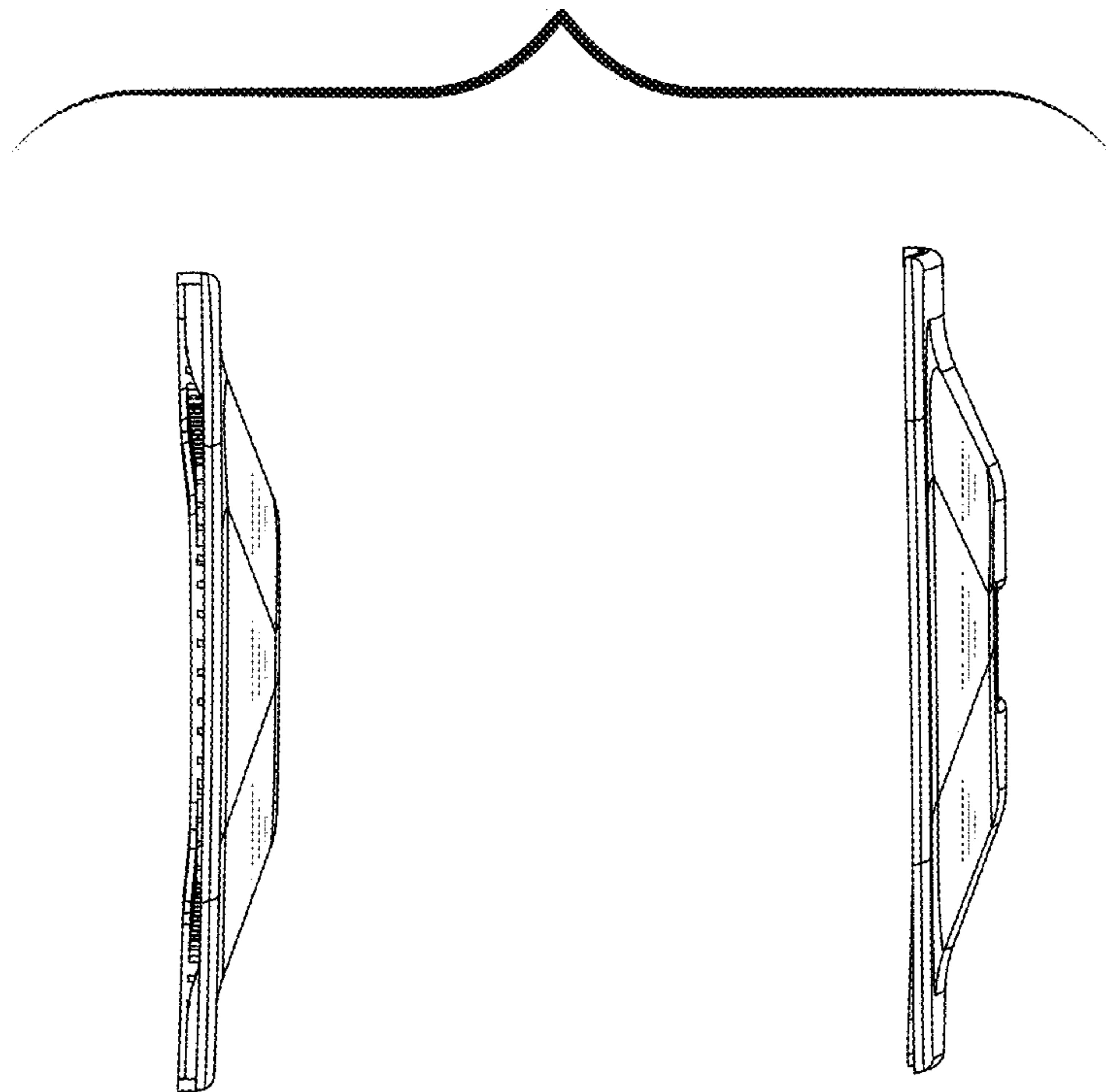


FIG.4

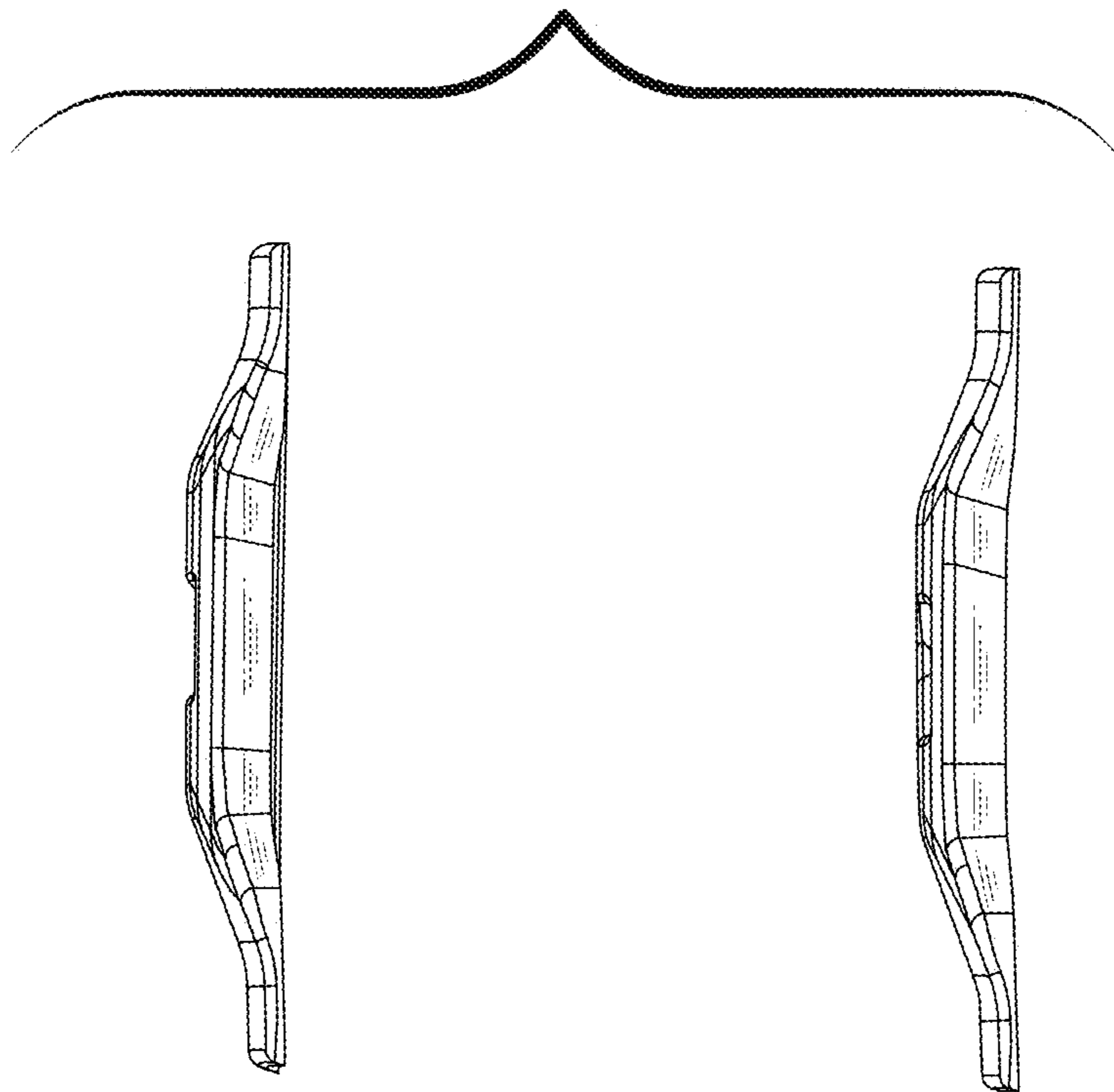


FIG.5

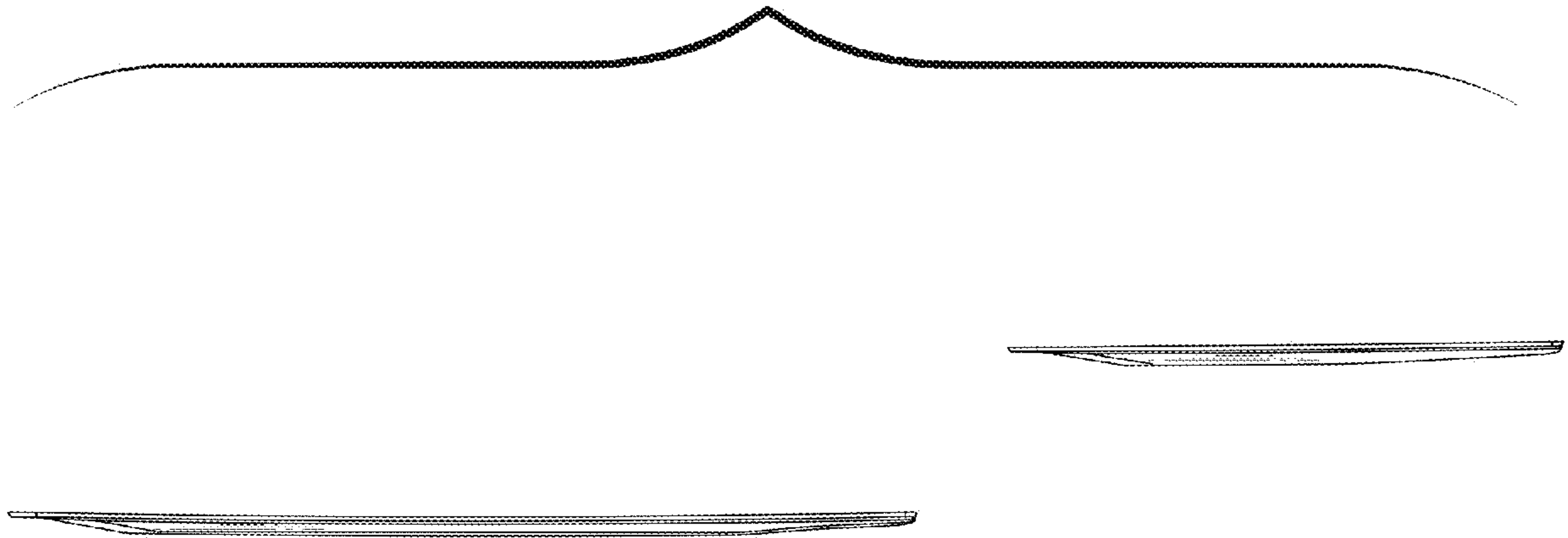


FIG.6

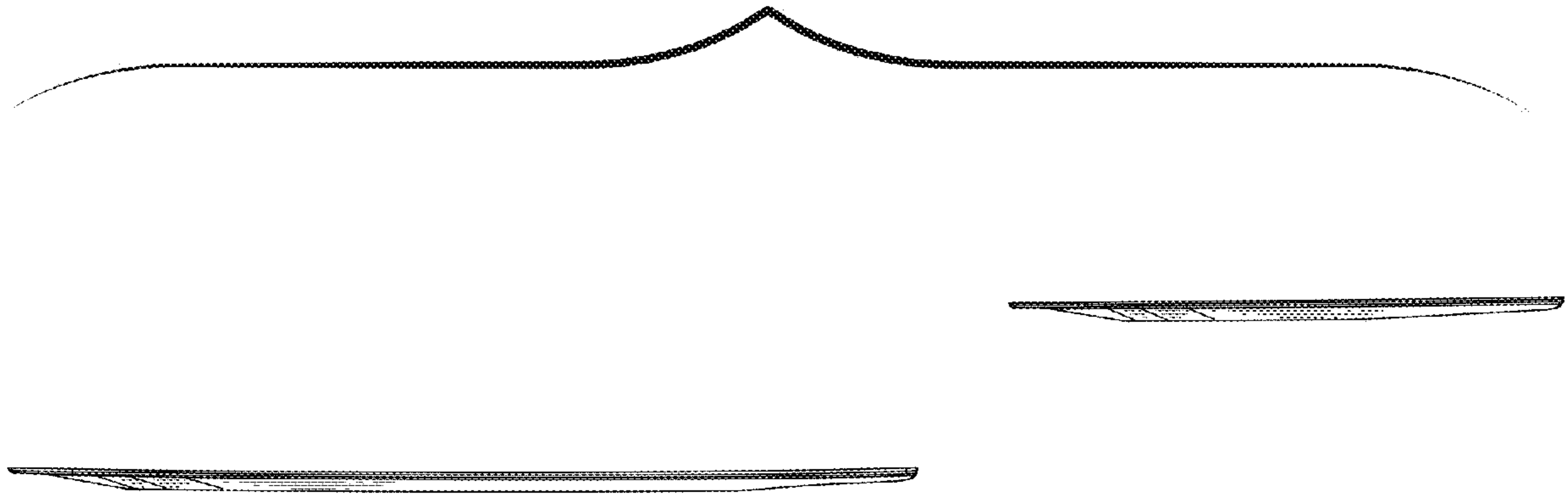


FIG. 7

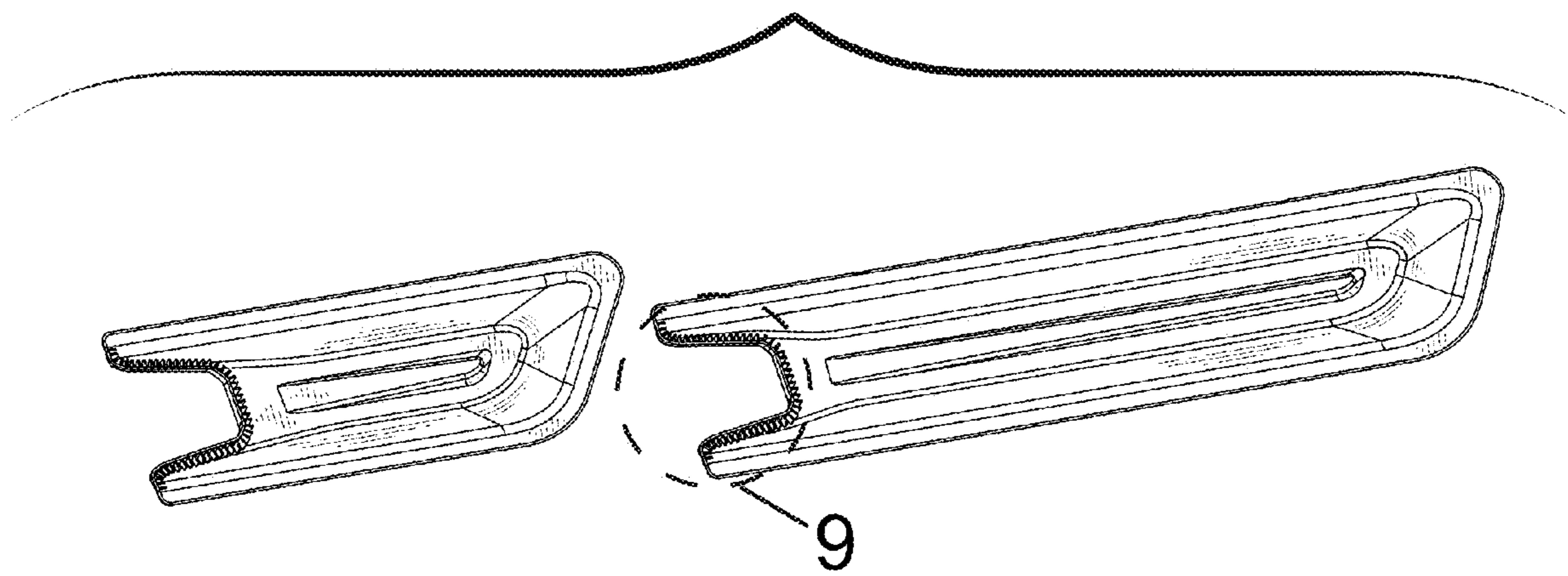


FIG.8

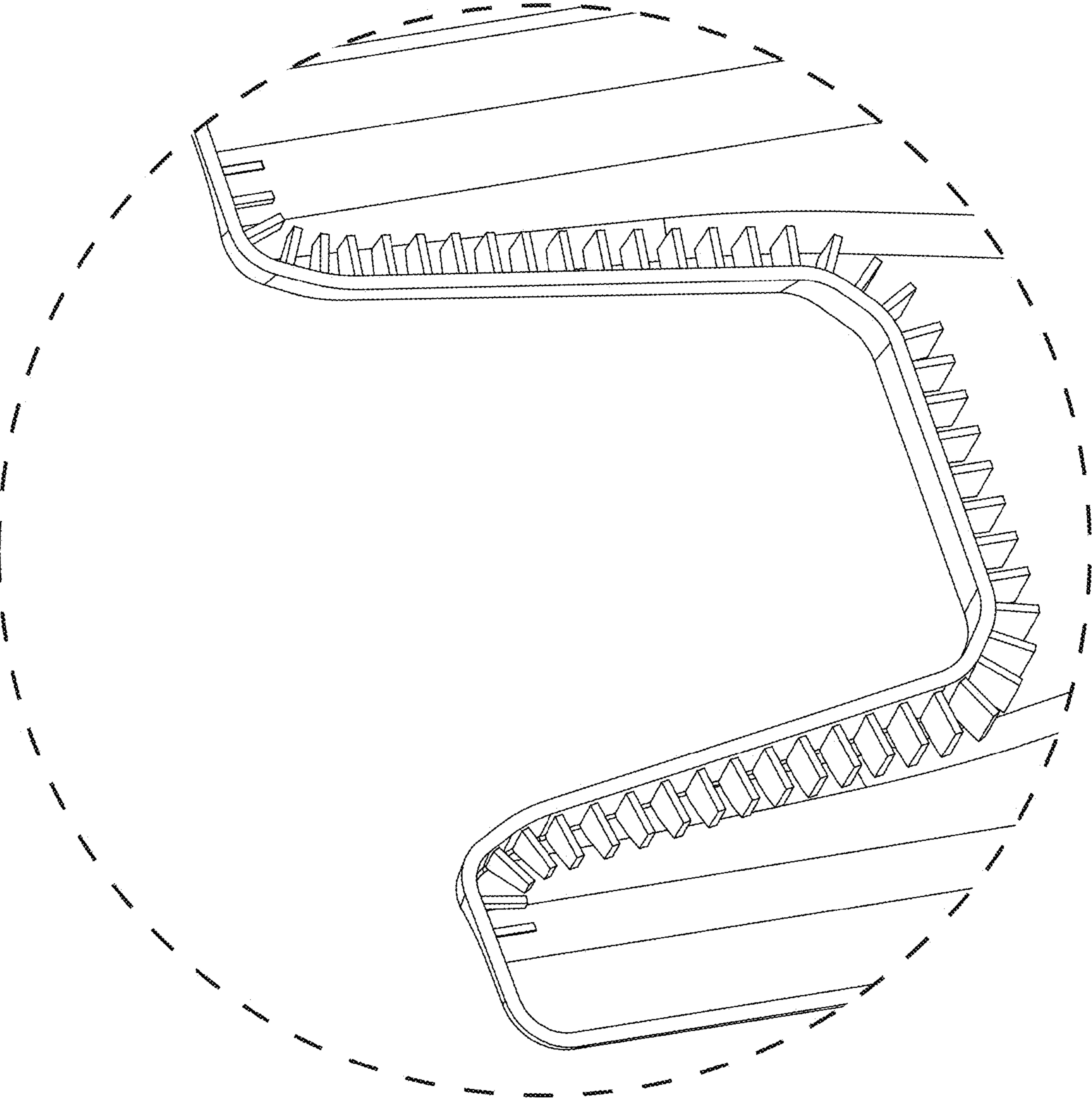


FIG.9