

US00D923544S

(12) **United States Design Patent**  
**Akrapovic et al.**

(10) **Patent No.:** **US D923,544 S**  
(45) **Date of Patent:** **\*\* Jun. 29, 2021**

(54) **PAIR OF TAILPIPES**  
(71) Applicant: **Igor Akrapovic**, Ljubljana (SI)  
(72) Inventors: **Igor Akrapovic**, Ljubljana (SI); **Ermin Kosovel**, Zgornje Gorje (SI); **Uroš Javh**, Ljubljana (SI); **Mitja Kralj**, Ivančna Gorica (SI); **Marko Besal**, Smajeske Toplice (SI); **Martin Trobec**, Ljubljana (SI); **Jožef Balažic**, Trzin (SI); **Andrej Muhič**, Novo Mesto (SI); **Matej Bulc**, Ljubljana (SI)

(\*\*) Term: **15 Years**

(21) Appl. No.: **35/509,080**

(22) Filed: **Apr. 19, 2019**

(80) **Hague Agreement Data**

Int. Filing Date: **Apr. 19, 2019**  
Int. Reg. No.: **DM/207041**  
Int. Reg. Date: **Apr. 19, 2019**  
Int. Reg. Pub. Date: **Apr. 17, 2020**

(30) **Foreign Application Priority Data**

Oct. 25, 2018 (EM) ..... RCD 005808409-0002

(51) **LOC (13) Cl.** ..... **12-16**

(52) **U.S. Cl.**  
USPC ..... **D12/194**

(58) **Field of Classification Search**

USPC ..... D12/194; D15/5  
CPC ... F01N 1/04; F01N 1/24; F01N 13/08; F01N 13/082; F01N 13/085; F01N 13/087  
See application file for complete search history.

(56) **References Cited**

**U.S. PATENT DOCUMENTS**

4,537,278 A \* 8/1985 Okada ..... F01N 1/082  
181/227  
4,696,368 A \* 9/1987 Hummel ..... F01N 13/082  
180/287

5,200,582 A \* 4/1993 Kraai, Jr. .... F01N 1/02  
181/256  
D435,815 S \* 1/2001 Larson ..... D12/169  
D473,175 S \* 4/2003 Gilli ..... D12/194  
D488,114 S \* 4/2004 Kulla ..... D12/194  
7,007,720 B1 \* 3/2006 Chase ..... F16L 59/12  
138/110  
D534,469 S \* 1/2007 Murkett ..... D12/194  
D539,715 S \* 4/2007 Lai ..... D12/194  
D540,231 S \* 4/2007 Braun ..... D12/194  
D553,062 S \* 10/2007 Murkett ..... D12/194  
D556,660 S \* 12/2007 Murkett ..... D12/194  
D573,521 S \* 7/2008 Hsu ..... D12/194  
D597,915 S \* 8/2009 Bhambra ..... D12/194  
D600,186 S \* 9/2009 Bhambra ..... D12/194  
D618,603 S \* 6/2010 Lemon ..... D12/194  
D635,498 S \* 4/2011 Lemon ..... D12/194  
7,934,375 B2 \* 5/2011 Richter ..... F02B 27/04  
60/324

(Continued)

*Primary Examiner* — Darlington Ly

(74) *Attorney, Agent, or Firm* — Olson & Cepuritis, Ltd.;  
Shawn E. Duckworth, Esq.

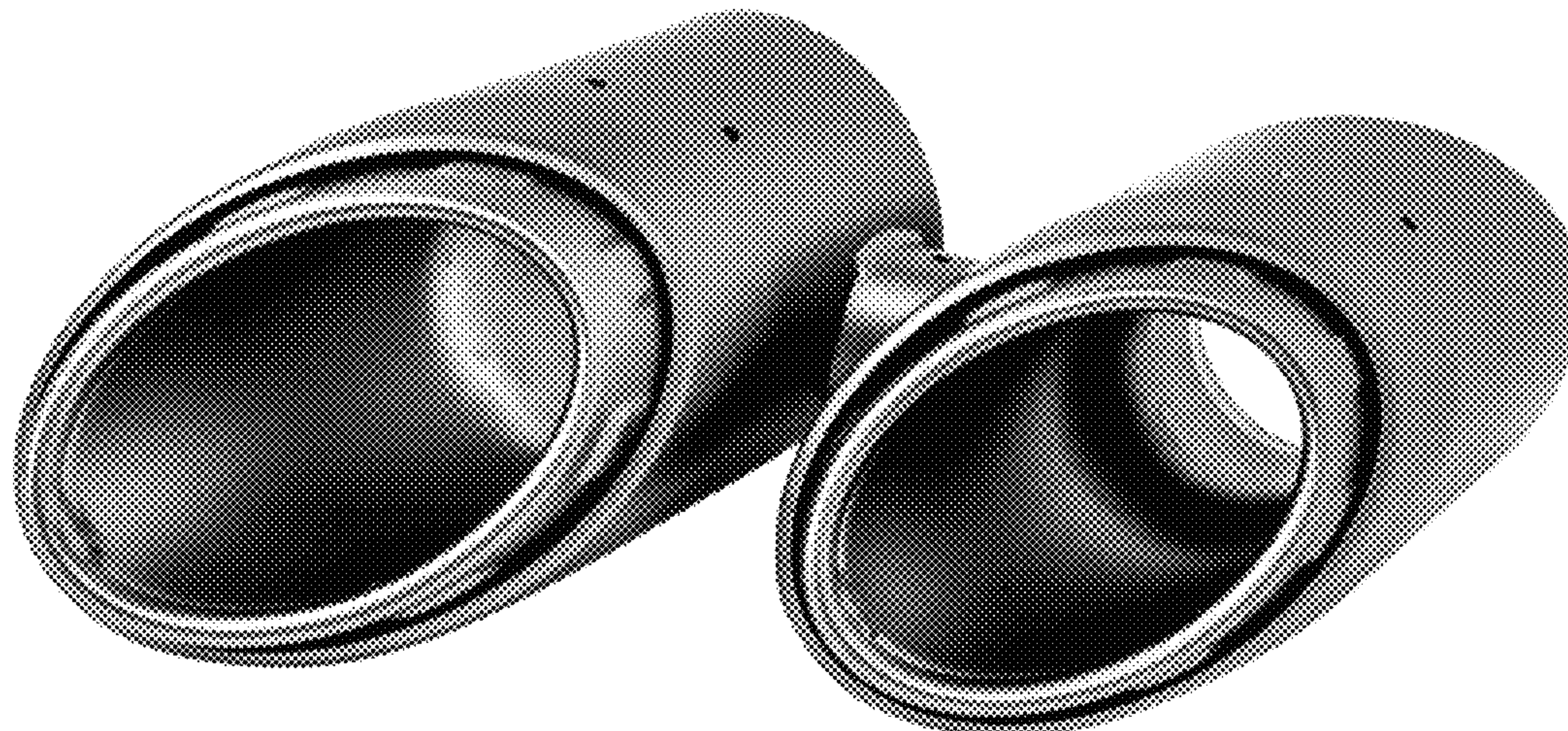
(57) **CLAIM**

The ornamental design for a pair of tailpipes, as shown and described.

**DESCRIPTION**

1. Pair of tailpipes  
1.1 is a top, rear, and left side perspective view of a pair of tailpipes embodying our new design;  
1.2 is a right side elevation view thereof;  
1.3 is a left side elevation view thereof;  
1.4 is a top plan view thereof;  
1.5 is a bottom plan view thereof;  
1.6 is a rear and right side perspective view thereof;  
1.7 is a front elevation view thereof;  
1.8 is a front and left side perspective view thereof; and  
1.9 is a rear elevation view thereof.

**1 Claim, 9 Drawing Sheets**



(56)

**References Cited**

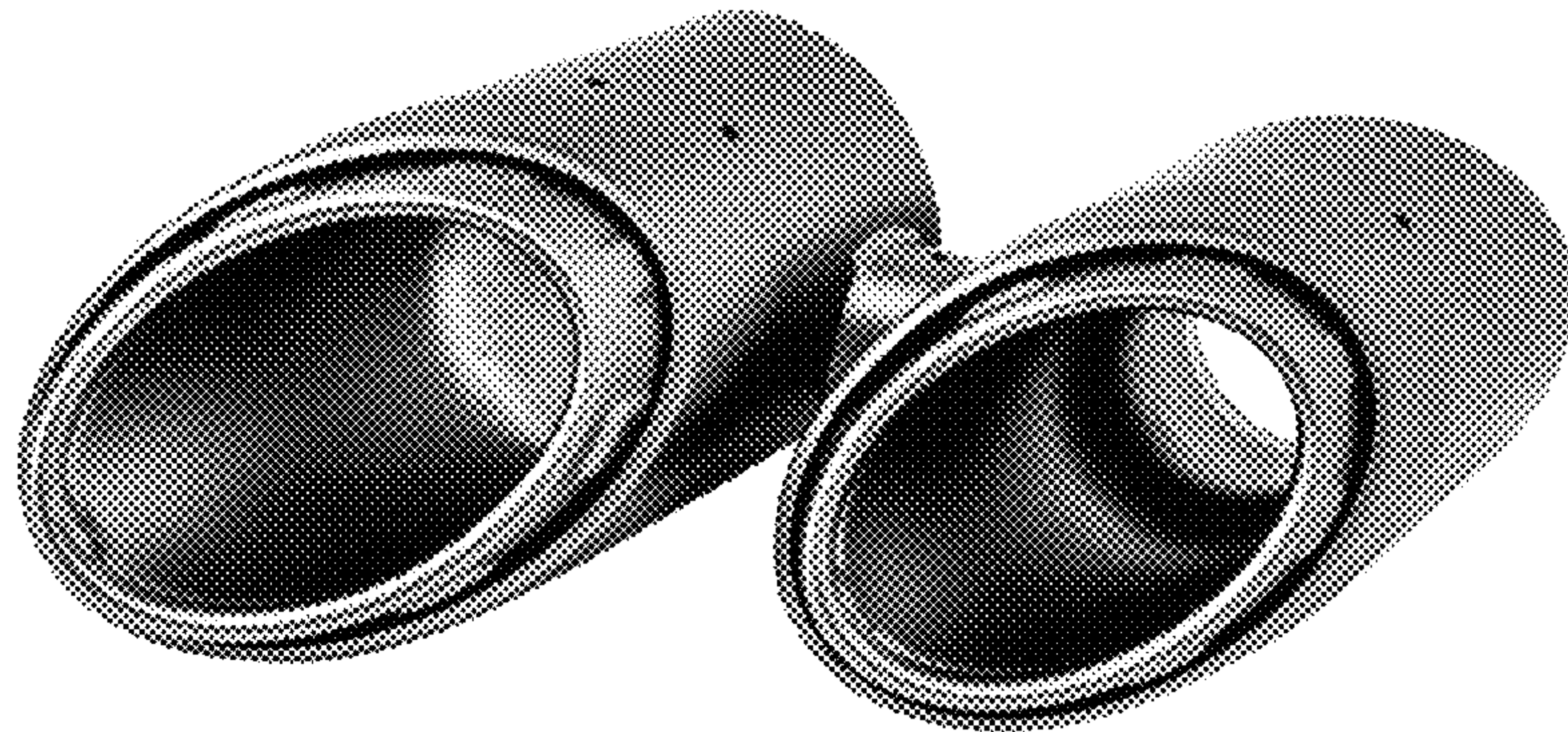
U.S. PATENT DOCUMENTS

D675,141 S *	1/2013	Lemon .....	D12/194
D684,909 S *	6/2013	Lemon .....	D12/194
D758,937 S *	6/2016	Lemon .....	D12/194
D836,515 S *	12/2018	Akrapovic .....	D12/194
D911,236 S *	2/2021	Akrapovic .....	D12/194
2007/0291470 A1 *	12/2007	Thomson .....	B60Q 1/2688 362/96

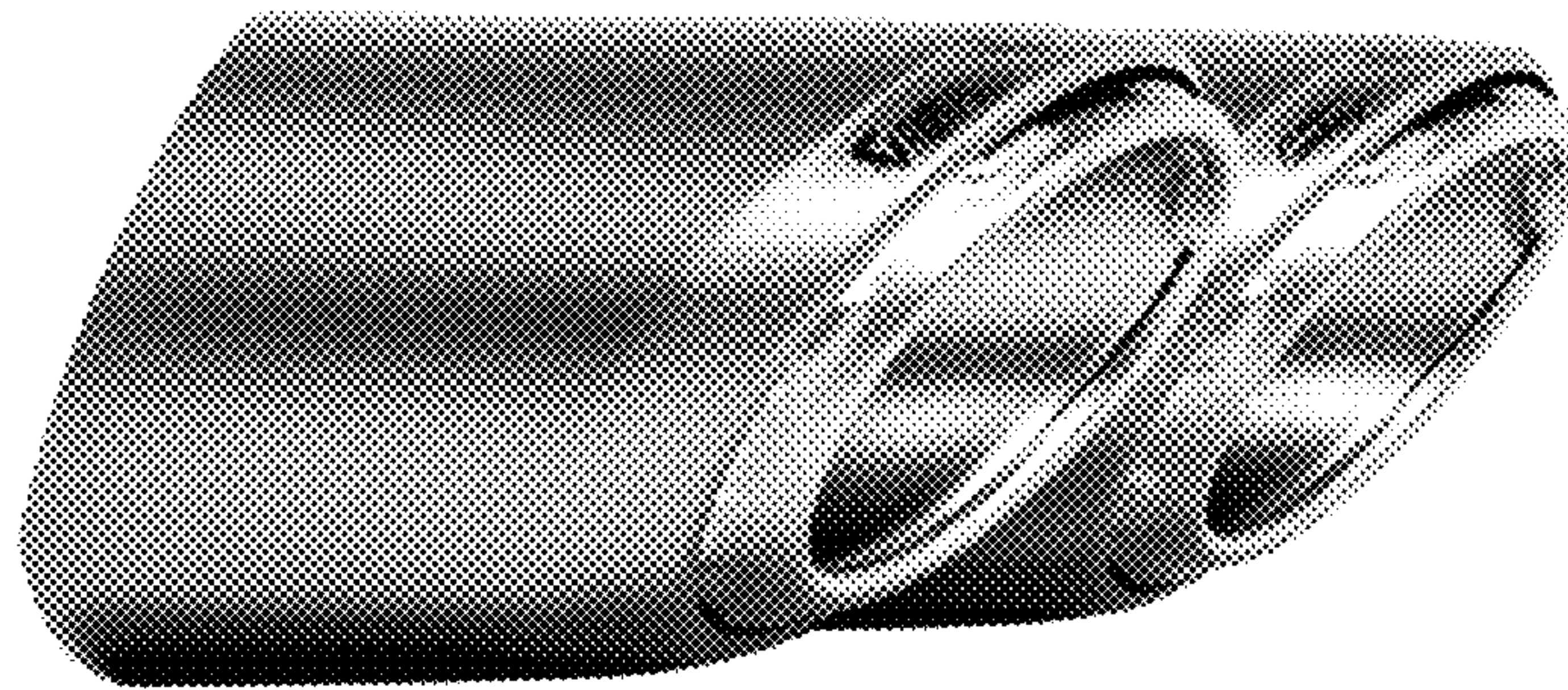
\* cited by examiner



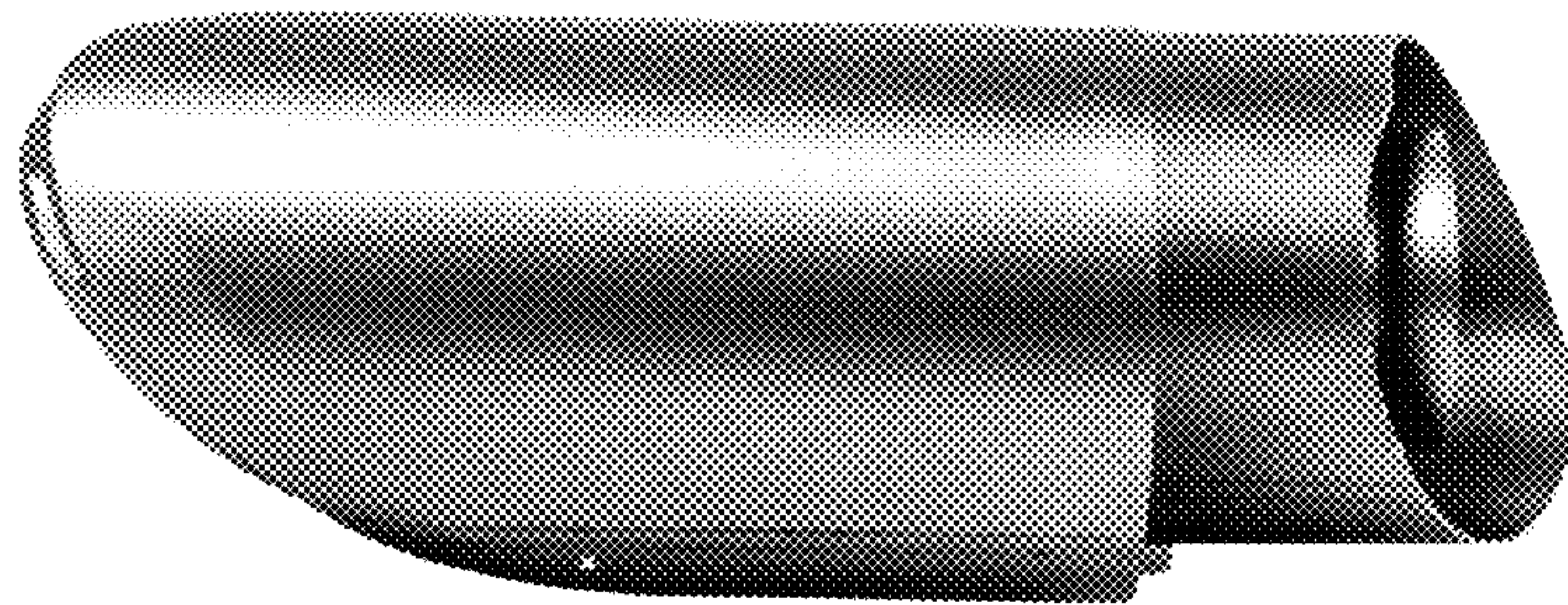
1.1



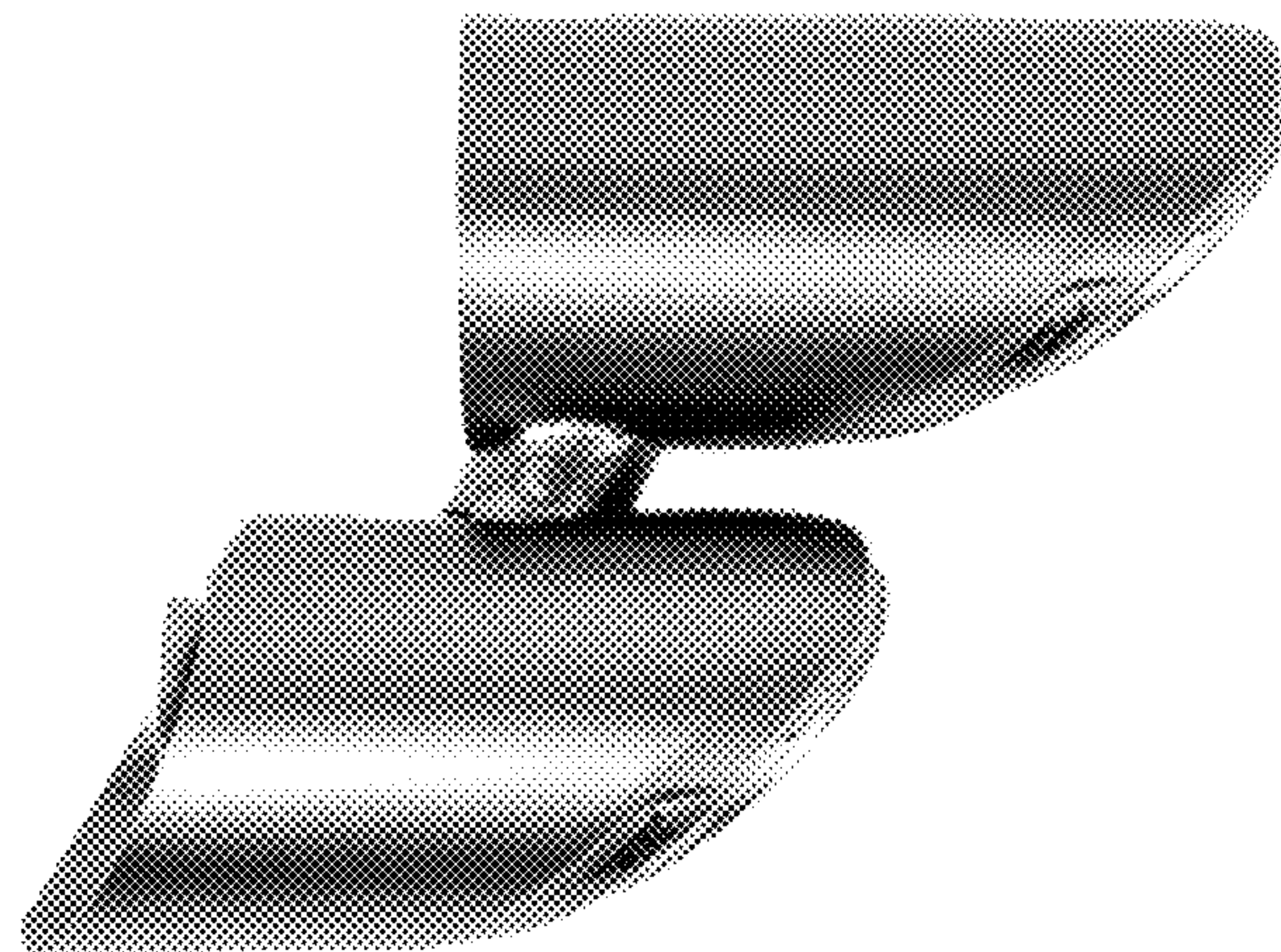
1.2



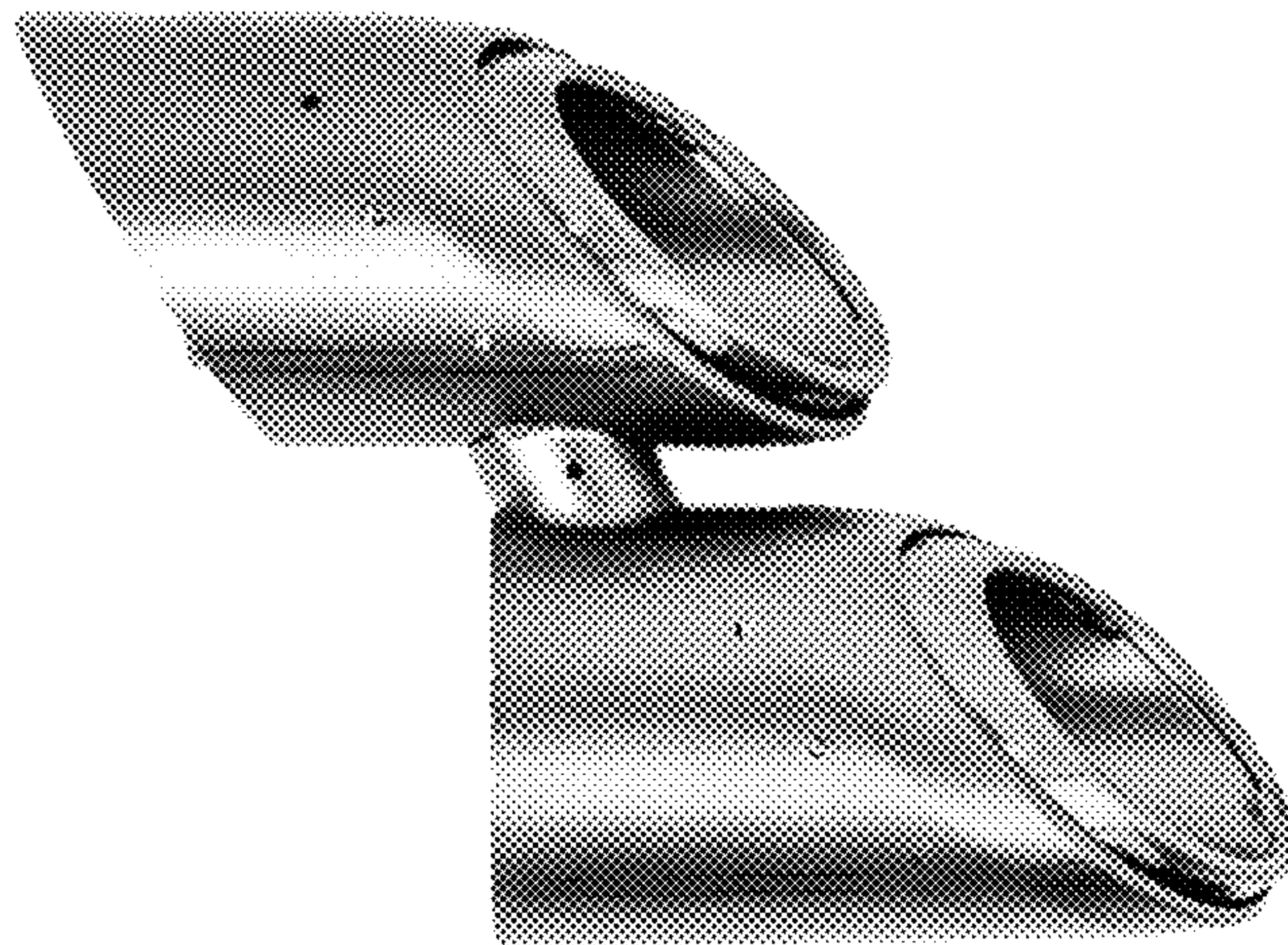
1.3



1.4

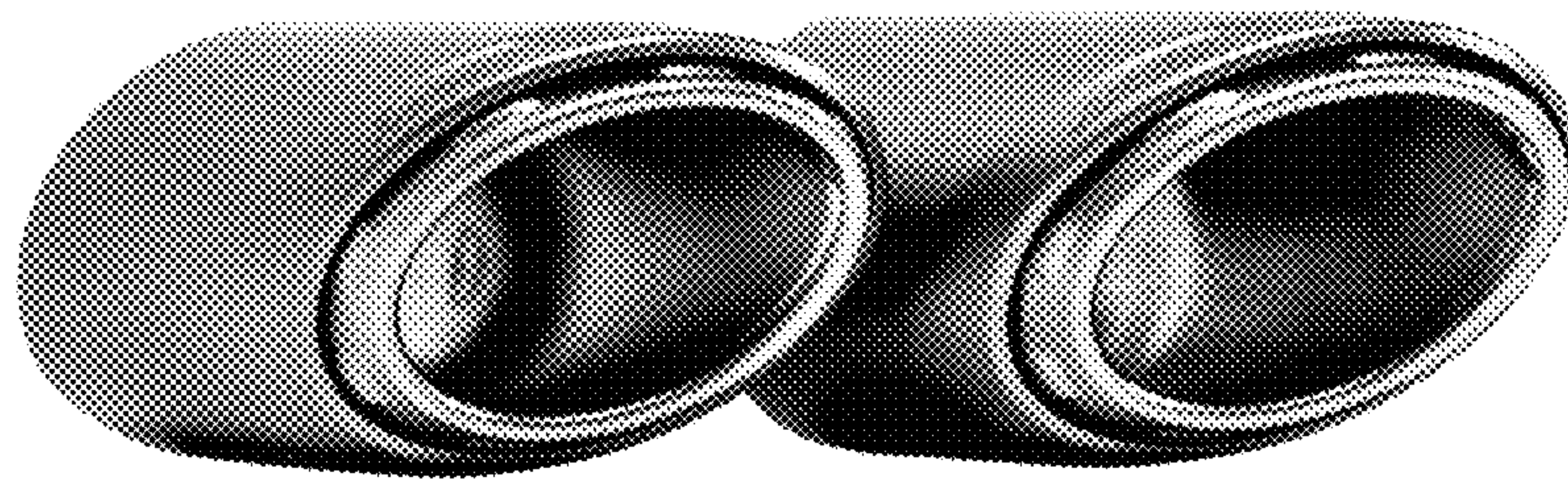


1.5





1.6

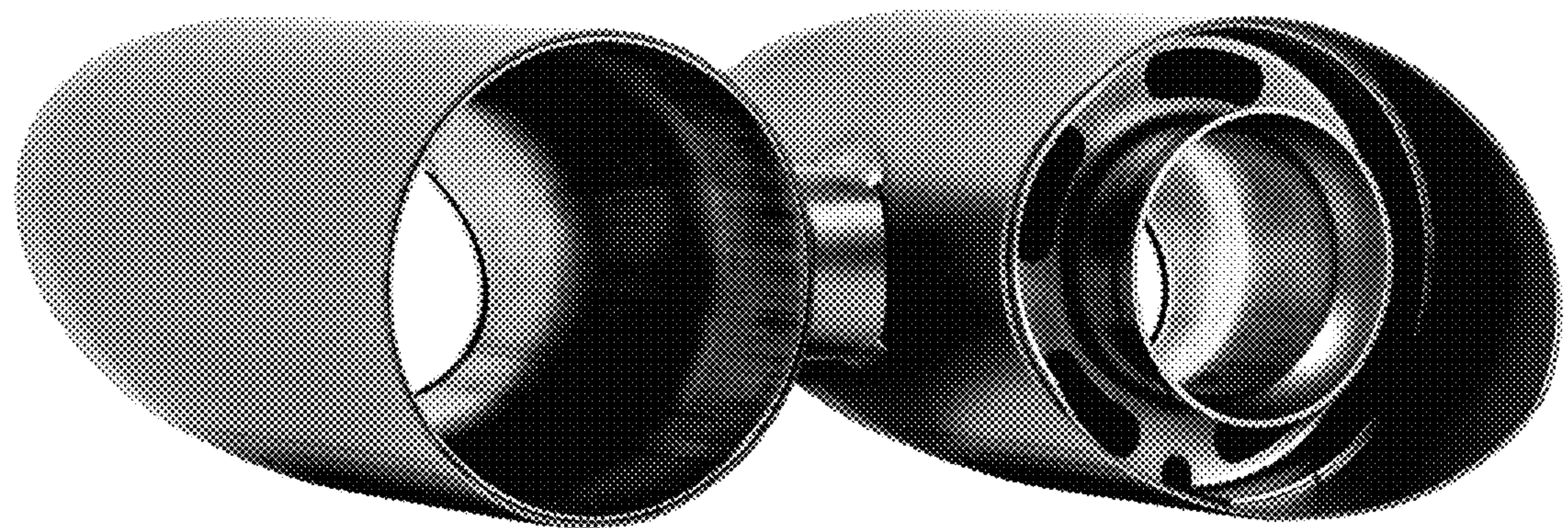




1.7



1.8



1.9

