



US00D923543S

(12) **United States Design Patent** (10) **Patent No.:** **US D923,543 S**
Carminati et al. (45) **Date of Patent:** **** *Jun. 29, 2021**

(54) **DISC BRAKE**
(71) Applicant: **Freni Brembo S.p.A.**, Curno (IT)
(72) Inventors: **Fabiano Carminati**, Curno (IT);
Simone Biondo, Curno (IT)
(73) Assignee: **Freni Brembo S.p.A.**, Bergamo (IT)
(*) Notice: This patent is subject to a terminal disclaimer.
(**) Term: **15 Years**
(21) Appl. No.: **29/702,034**
(22) Filed: **Aug. 16, 2019**
(30) **Foreign Application Priority Data**

D497,127 S * 10/2004 Veneziano D12/180
D609,147 S * 2/2010 Schmitz D12/180
D640,620 S * 6/2011 Bielis, IV D12/180
D640,622 S * 6/2011 Schmitz D12/180
D647,442 S * 10/2011 Schmitz D12/180
D690,634 S * 10/2013 Joseph D12/180
D691,528 S * 10/2013 Joseph D12/180
8,851,245 B2 * 10/2014 Bielis, IV F16D 65/127
188/218 XL
9,765,834 B2 * 9/2017 Joseph F16D 65/0006
10,156,275 B2 * 12/2018 Carminati F16D 65/123
D842,781 S * 3/2019 Keller D12/180
2004/0040802 A1 * 3/2004 Veneziano F16D 65/128
188/218 XL
2004/0140164 A1 * 7/2004 Burgoon F16D 65/123
188/218 R
2004/0200678 A1 * 10/2004 Lin F16D 65/12
188/218 XL
2012/0168266 A1 * 7/2012 Veneziano F16D 65/12
188/218 XL
2013/0327602 A1 * 12/2013 Barber B22C 9/00
188/218 XL

Feb. 18, 2019 (IT) 402019000000297
(51) **LOC (13) Cl.** **12-16**
(52) **U.S. Cl.**
USPC **D12/180**
(58) **Field of Classification Search**
USPC D12/14, 106, 114, 118, 122, 160, 161,
D12/162, 179, 180, 207, 217, 400
CPC B22C 9/00; F16D 65/0006; F16D 65/12;
F16D 65/123; F16D 65/126; F16D
65/127; F16D 65/128; F16D 69/00
See application file for complete search history.

* cited by examiner
Primary Examiner — Susan E Krakower
Assistant Examiner — Jerry Shiuan-Hua Hsu
(74) *Attorney, Agent, or Firm* — Marshall & Melhorn,
LLC

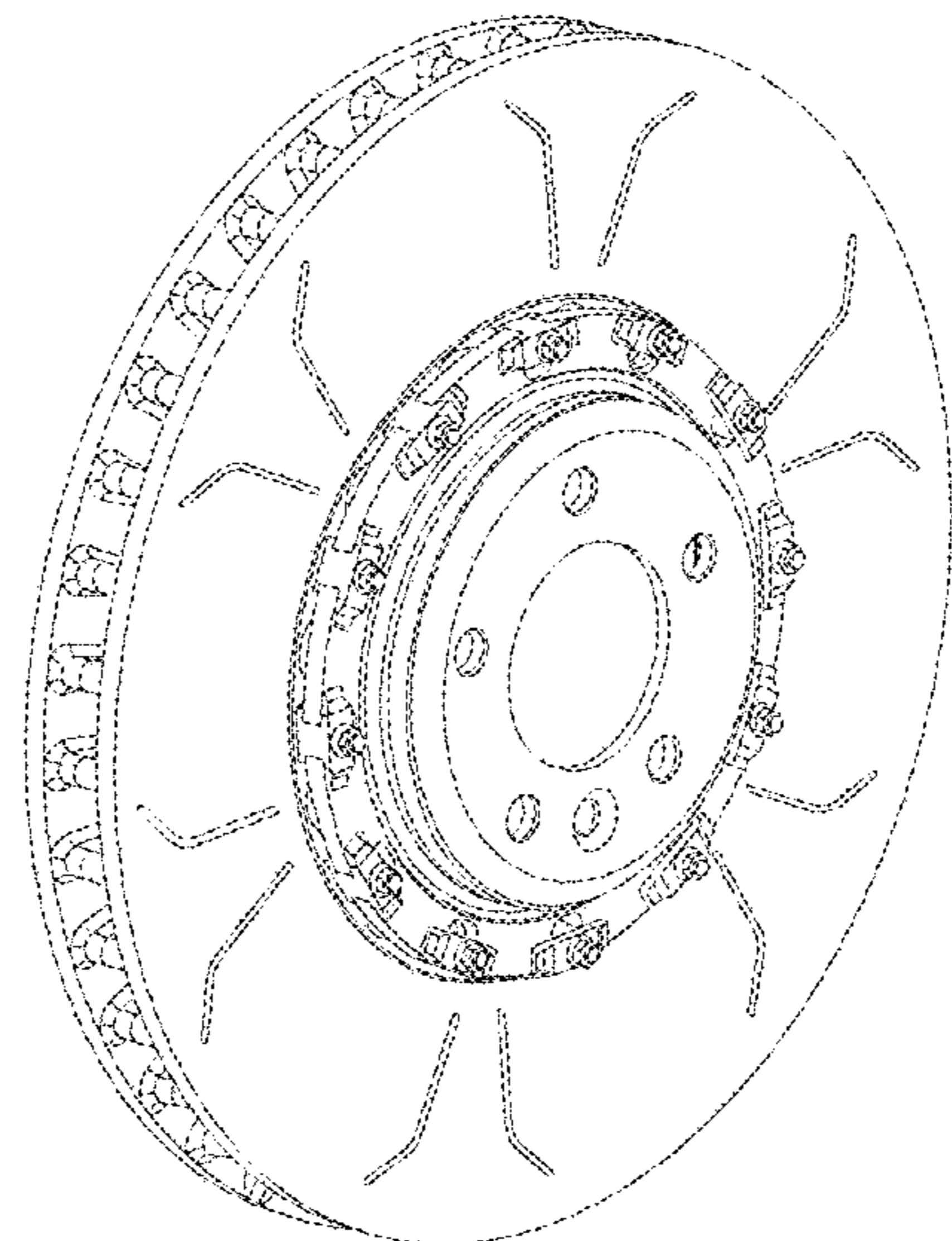
(56) **References Cited**
U.S. PATENT DOCUMENTS
2,835,355 A * 5/1958 Armstrong F16D 65/12
188/218 XL
3,425,524 A * 2/1969 Dewar F16D 65/126
188/218 XL
4,726,455 A * 2/1988 East F16D 69/00
192/107 R
D459,282 S * 6/2002 Oberti D12/180
D471,140 S * 3/2003 Oberti D12/180

(57) **CLAIM**
The ornamental design for a disc brake, as shown and described.

DESCRIPTION

FIG. 1 is a top, front, left perspective view of a disc brake, showing our new design;
FIG. 2 is a top, front, right perspective view thereof;
FIG. 3 is a top, rear, left perspective view thereof;
FIG. 4 is top, rear, right perspective view thereof;
FIG. 5 is a rear view thereof;
FIG. 6 is a front view thereof; and,
FIG. 7 is right side elevation view thereof.

1 Claim, 7 Drawing Sheets



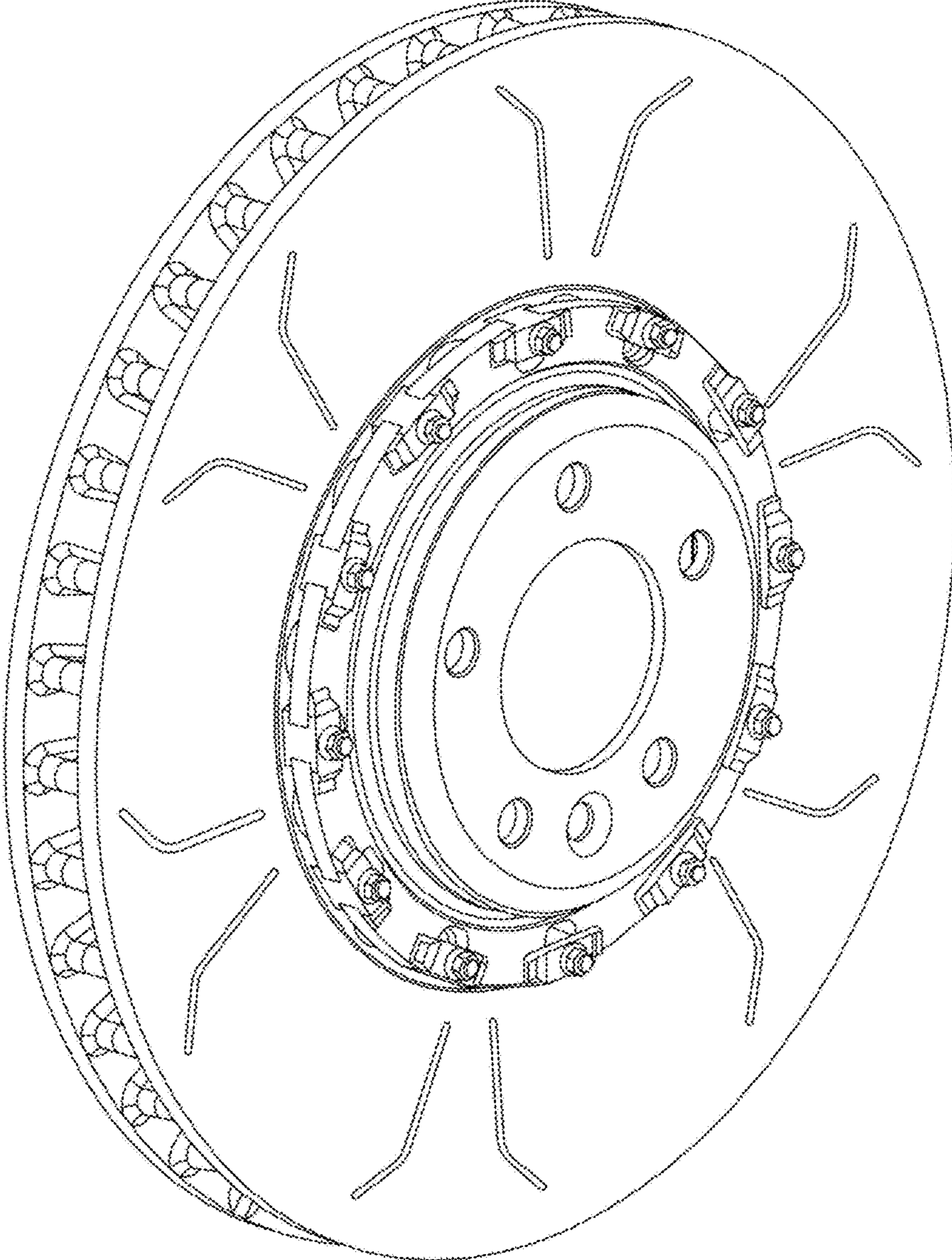


FIG. 1

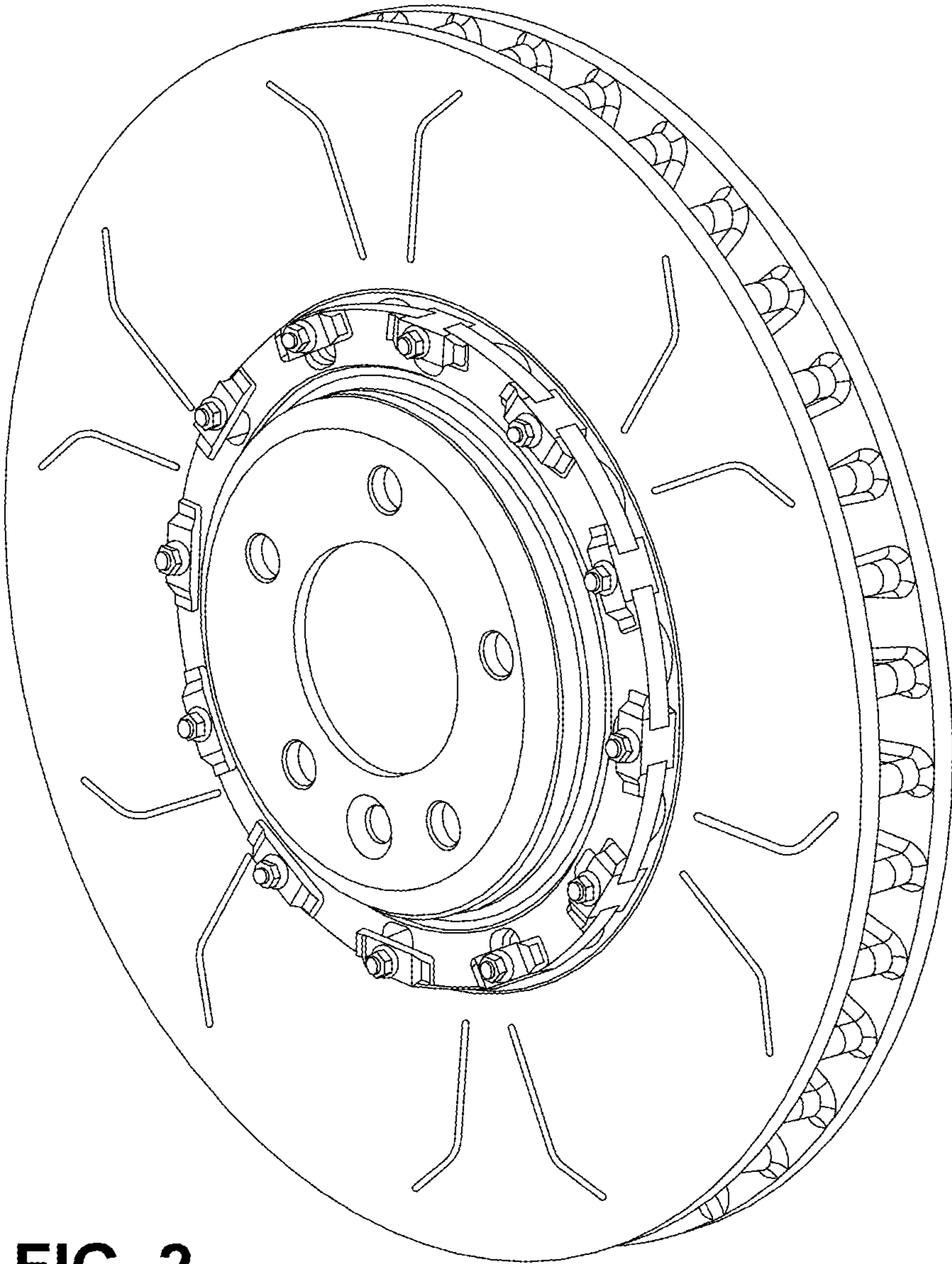


FIG. 2

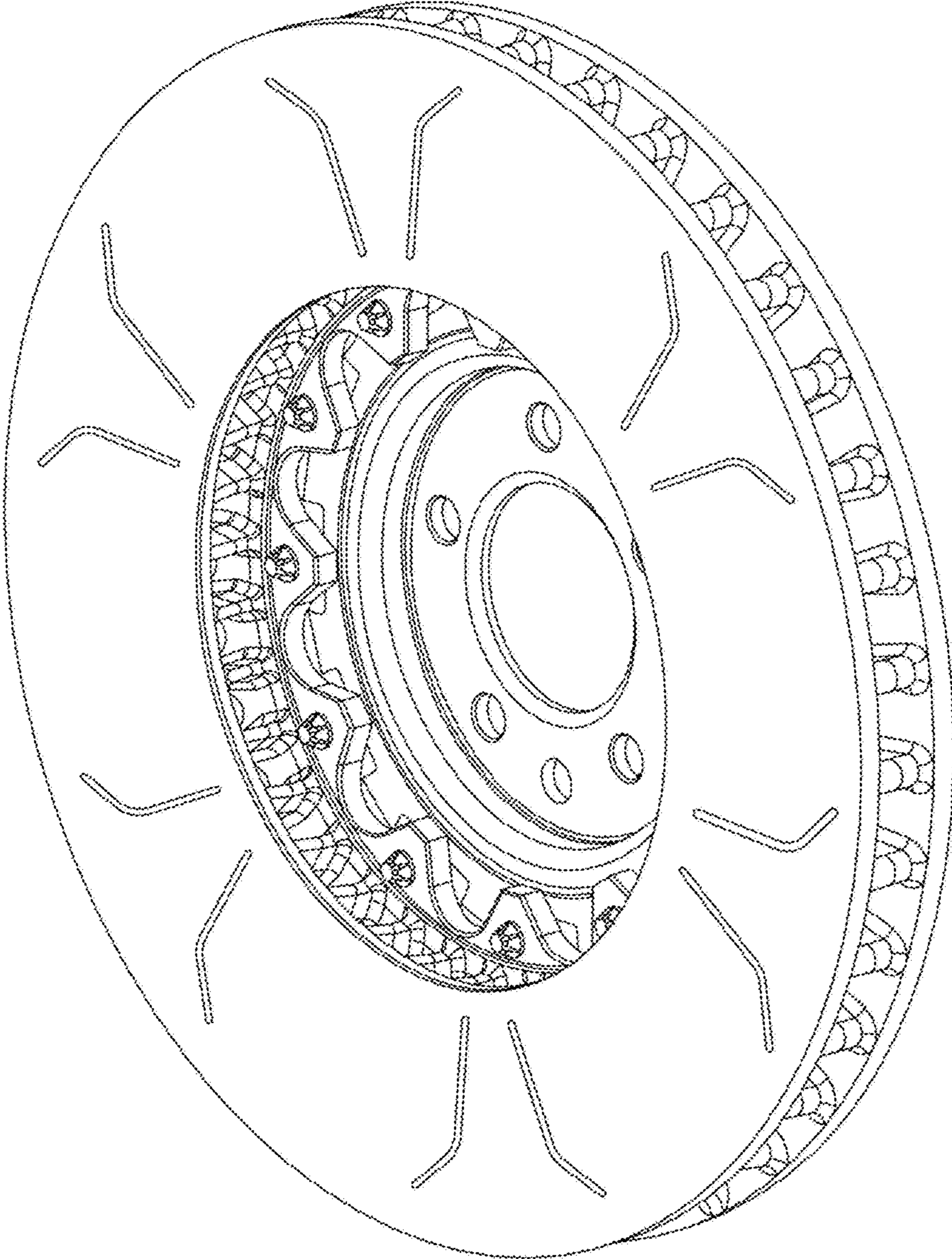


FIG. 3

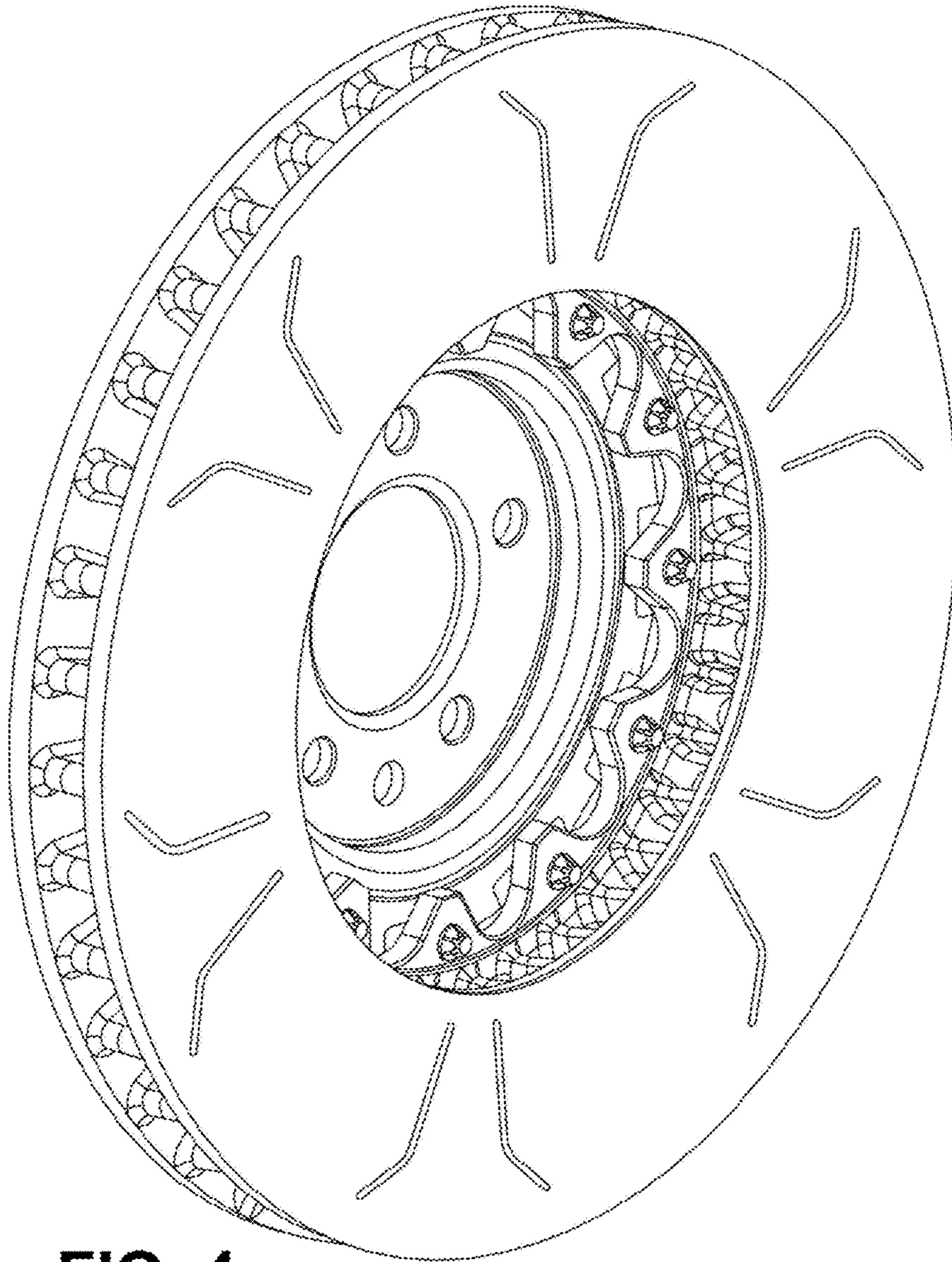


FIG. 4

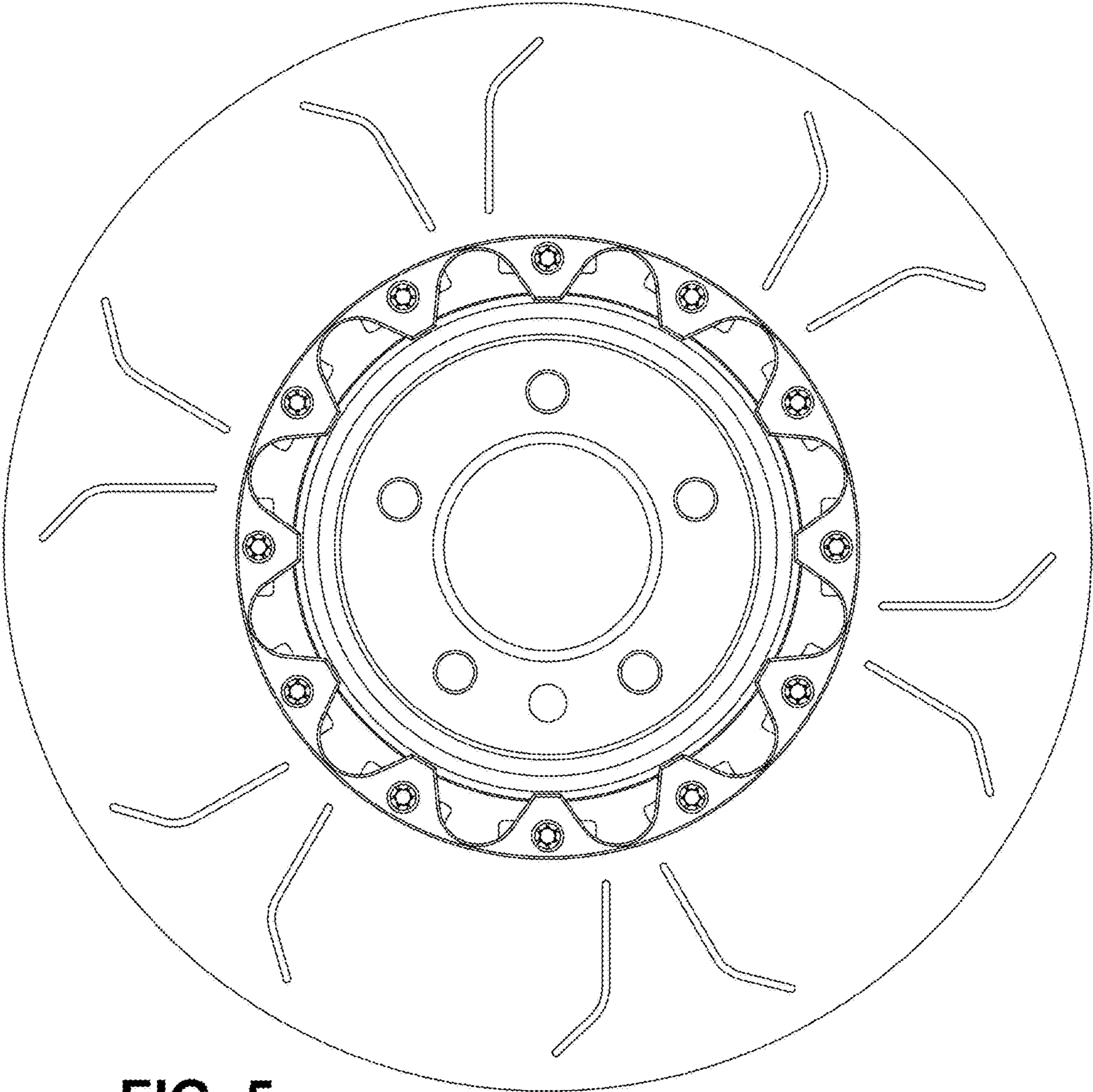


FIG. 5

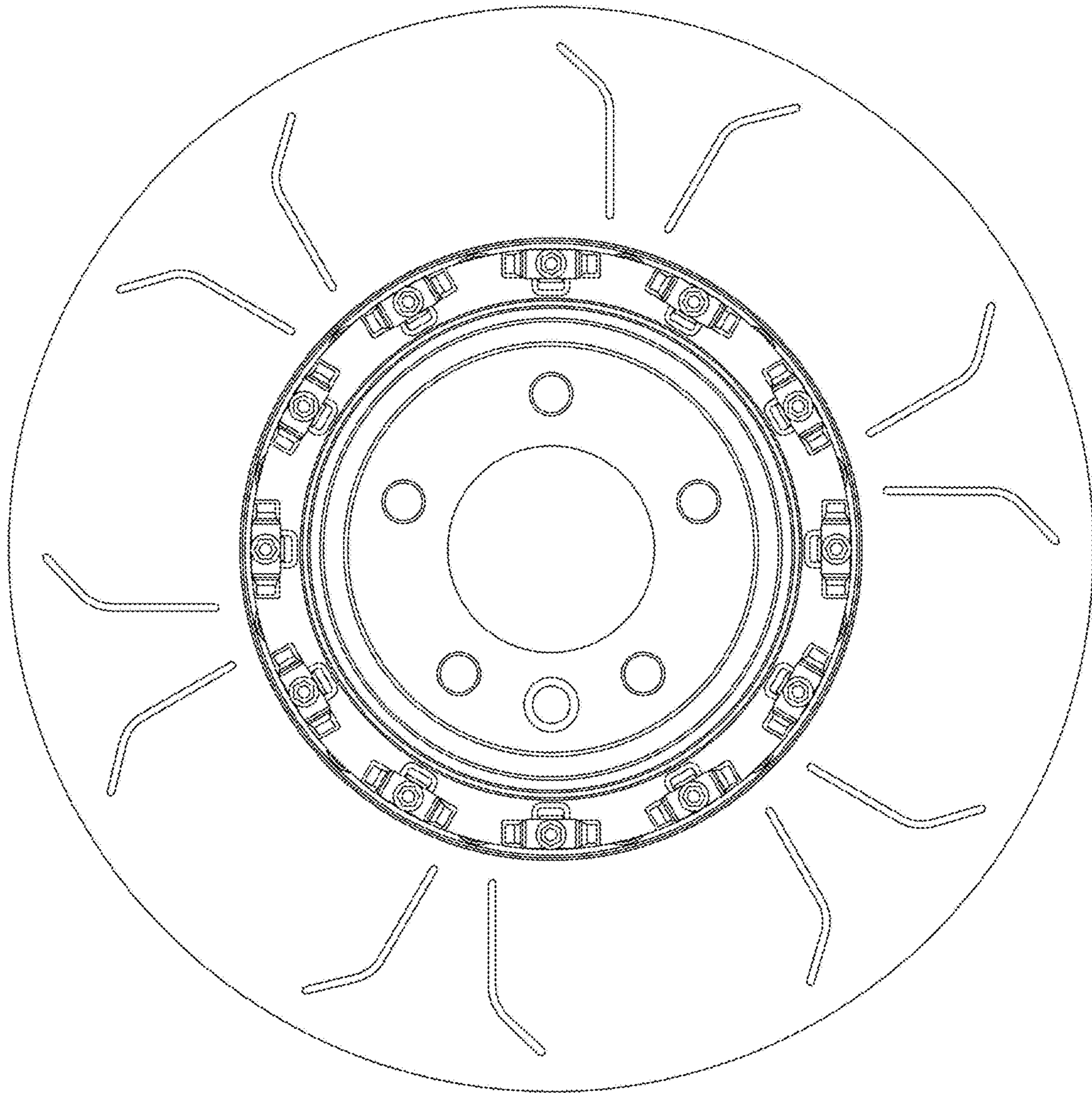


FIG. 6

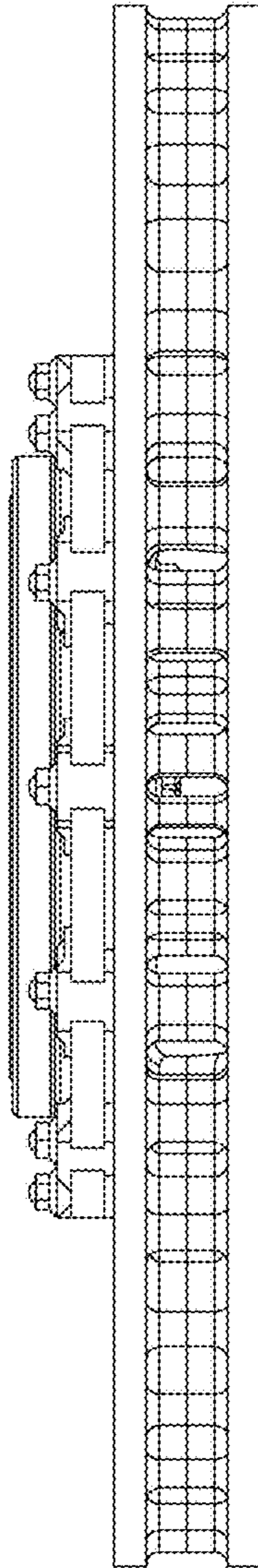


FIG. 7