



US00D923542S

(12) **United States Design Patent** (10) **Patent No.:** **US D923,542 S**
Zonza, Jr. et al. (45) **Date of Patent:** **** Jun. 29, 2021**

(54) **STEERING WHEEL HANGER ASSEMBLY**

(71) Applicant: **HY-KO PRODUCTS COMPANY**,
Northfield, OH (US)

(72) Inventors: **John Edward Zonza, Jr.**, Brooklyn,
OH (US); **William R. Mutch**, North
Ridgeville, OH (US)

(73) Assignee: **HY-KO PRODUCTS COMPANY**
LLC, Portage, MI (US)

(**) Term: **15 Years**

(21) Appl. No.: **29/703,371**

(22) Filed: **Aug. 27, 2019**

(51) **LOC (13) Cl.** **12-16**

(52) **U.S. Cl.**
USPC **D12/177**

(58) **Field of Classification Search**

USPC D12/177, 223, 400, 415, 426.1, 96, 99,
D12/106, 126, 191, 192, 195, 345, 406,
D12/416, 419, 420, 425; D14/447, 251,
D14/114; D19/84, 88-91; D6/406.1,
D6/406.2, 406.3, 406.4, 406.5, 406.6;
D7/550.1, 551.1, 551.2, 551.3, 552.1,
D7/552.2, 553.1, 553.2, 553.3, 553.4,
D7/553.5, 553.6, 553.7, 553.8, 554.1,
D7/554.2, 554.3, 554.4; D3/318, 321,
D3/328; D25/119-125; D8/349, 354,
D8/364, 366, 367, 371, 373, 377, 380,
D8/381, 382, 499

CPC A47B 2200/0043; A47B 31/06; B60R
11/0252; B60R 7/00; B60R 7/04; B60R
7/043; B60R 2011/0012; B60N 3/005;
B64D 11/00152; F16M 13/00; F16M
13/022; F16M 11/10; F16M 11/041;
H04M 1/04

See application file for complete search history.

(56) **References Cited**

U.S. PATENT DOCUMENTS

D227,858 S * 7/1973 Goldman D8/373
D236,950 S * 9/1975 Goldman D8/373

4,261,123 A * 4/1981 Mariotti A47G 1/0605
40/791
D315,605 S * 3/1991 Thornton D25/119
D315,606 S * 3/1991 Thornton D25/119
D318,608 S * 7/1991 Schenker D8/382
D333,117 S * 2/1993 Hamilton D12/401
D393,237 S * 4/1998 Mondo, Jr. D12/177
6,062,145 A * 5/2000 Lin B60N 3/005
108/44
D443,649 S * 6/2001 Citron D12/177
D547,244 S * 7/2007 Munger D12/177
D557,120 S * 12/2007 Snell D8/372

(Continued)

FOREIGN PATENT DOCUMENTS

GB 1383609 A * 2/1974 B43L 3/008

Primary Examiner — Christian P. McLean

Assistant Examiner — Adam C Mager

(74) *Attorney, Agent, or Firm* — McDonald Hopkins LLC

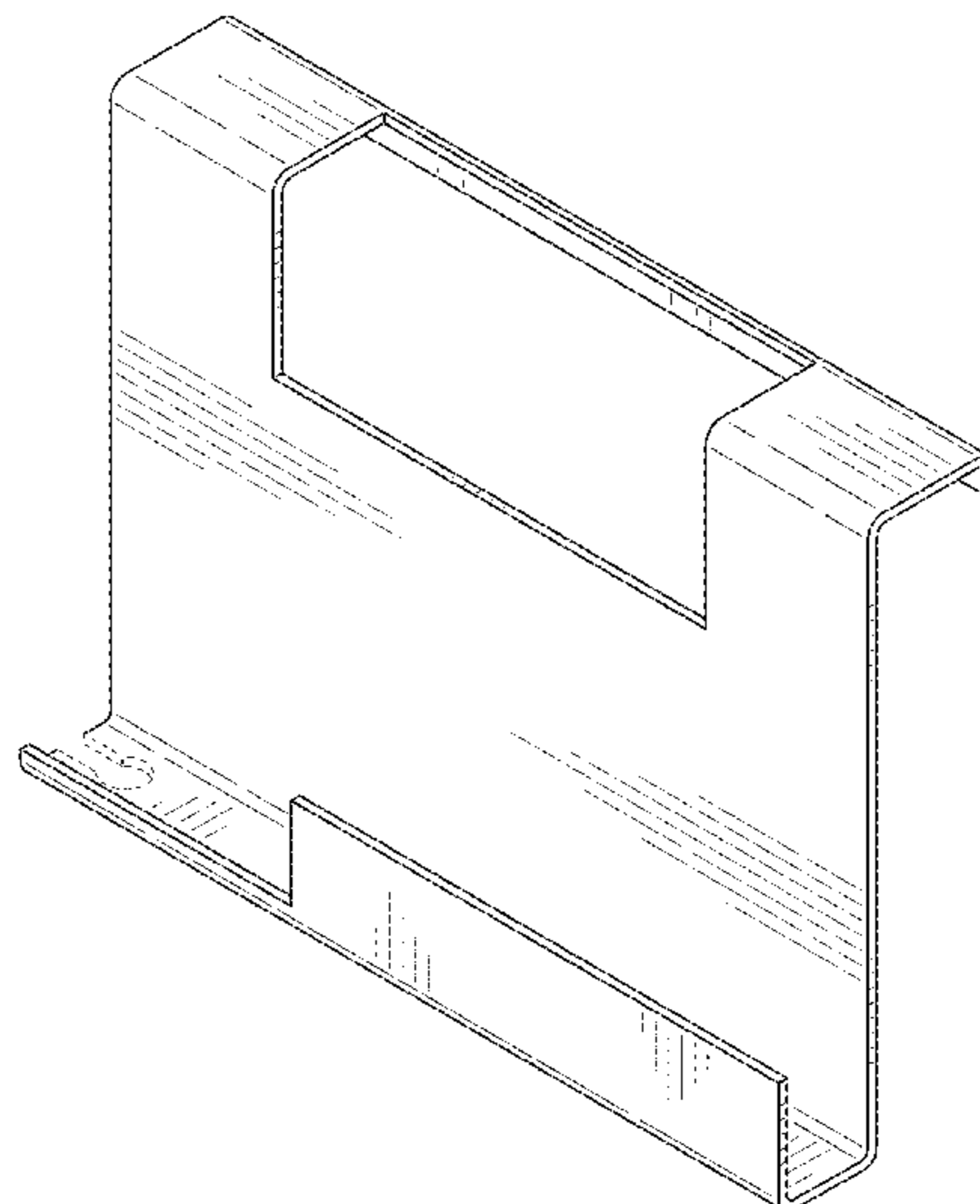
(57) **CLAIM**

The ornamental design for a steering wheel hanger assembly, as shown and described.

DESCRIPTION

FIG. 1 is a perspective view of a steering wheel hanger assembly showing my new design;
FIG. 2 is a front view of FIG. 1 thereof;
FIG. 3 is a back view of FIG. 1 thereof;
FIG. 4 is a first side view of FIG. 1 thereof;
FIG. 5 is a second side view of FIG. 1 thereof;
FIG. 6 is a top view of FIG. 1 thereof; and,
FIG. 7 is a bottom view of FIG. 1 thereof.
The broken lines in the figures are included for the purpose of illustrating portions of a steering wheel hanger assembly and form no part of the claimed design.

1 Claim, 4 Drawing Sheets



(56)

References Cited

U.S. PATENT DOCUMENTS

D707,233 S *	6/2014	Sirichai	D14/447
D758,282 S *	6/2016	Miller	D12/400
D765,580 S *	9/2016	Pumphrey	D12/415
D780,944 S *	3/2017	Krause	D25/119
D781,460 S *	3/2017	Krause	D25/119
D782,707 S *	3/2017	Krause	D25/119
D847,142 S *	4/2019	Furshman	D14/447
D853,377 S *	7/2019	Crandon	D14/253
D857,610 S *	8/2019	Meldrum	D12/415
2005/0077333 A1 *	4/2005	Caradimos	B60R 11/0264 224/276
2016/0257404 A1 *	9/2016	Ferris	F16M 11/10

* cited by examiner

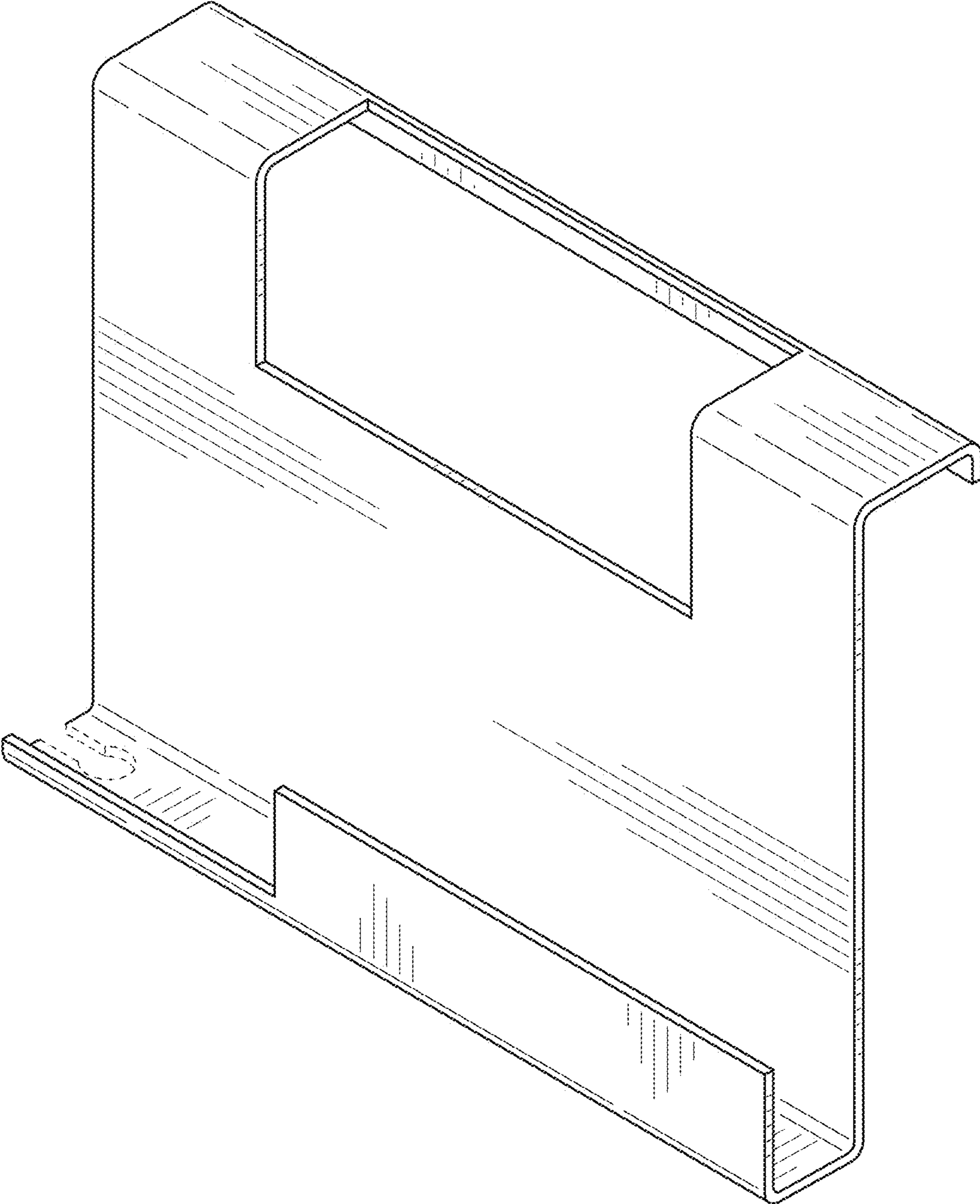


FIG. 1

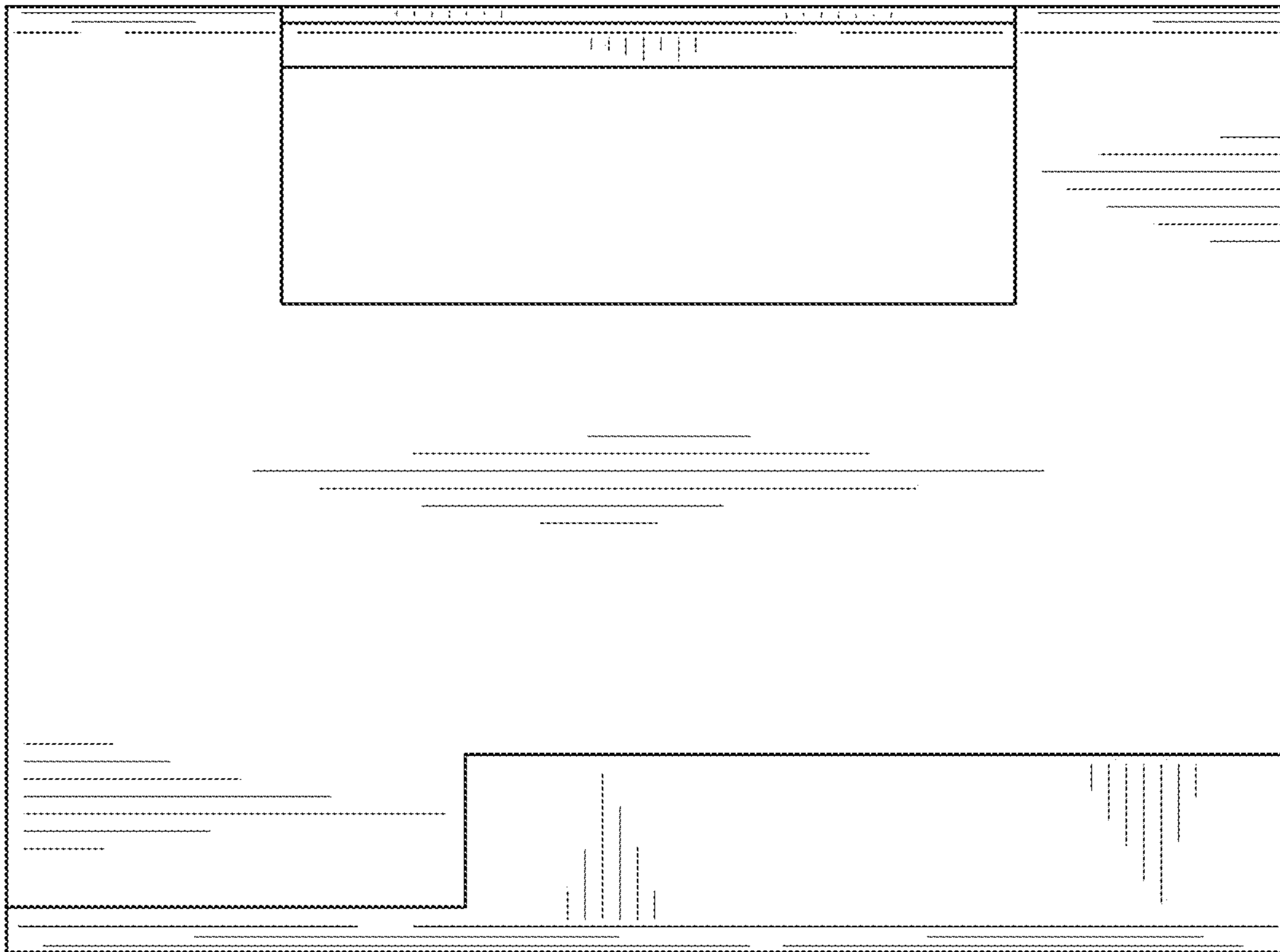


FIG. 2

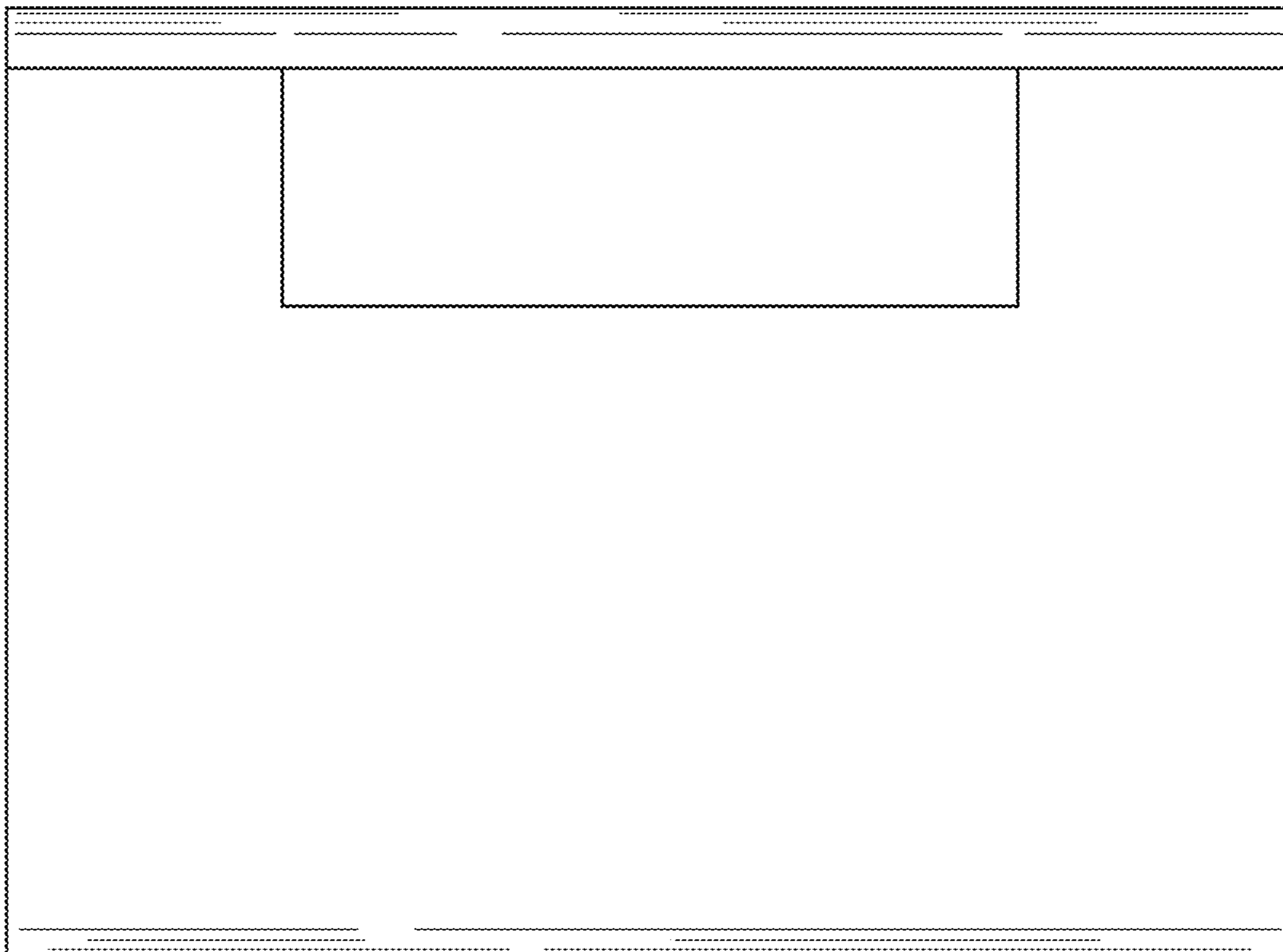


FIG. 3

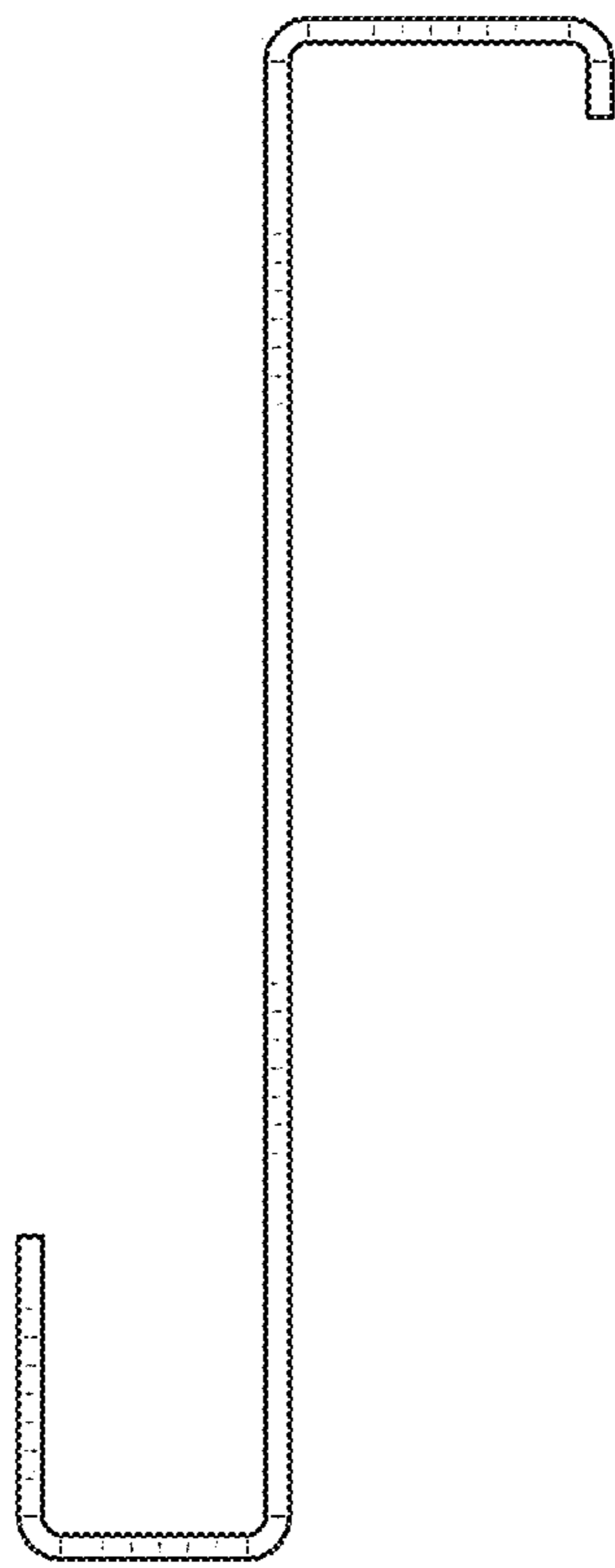


FIG. 4

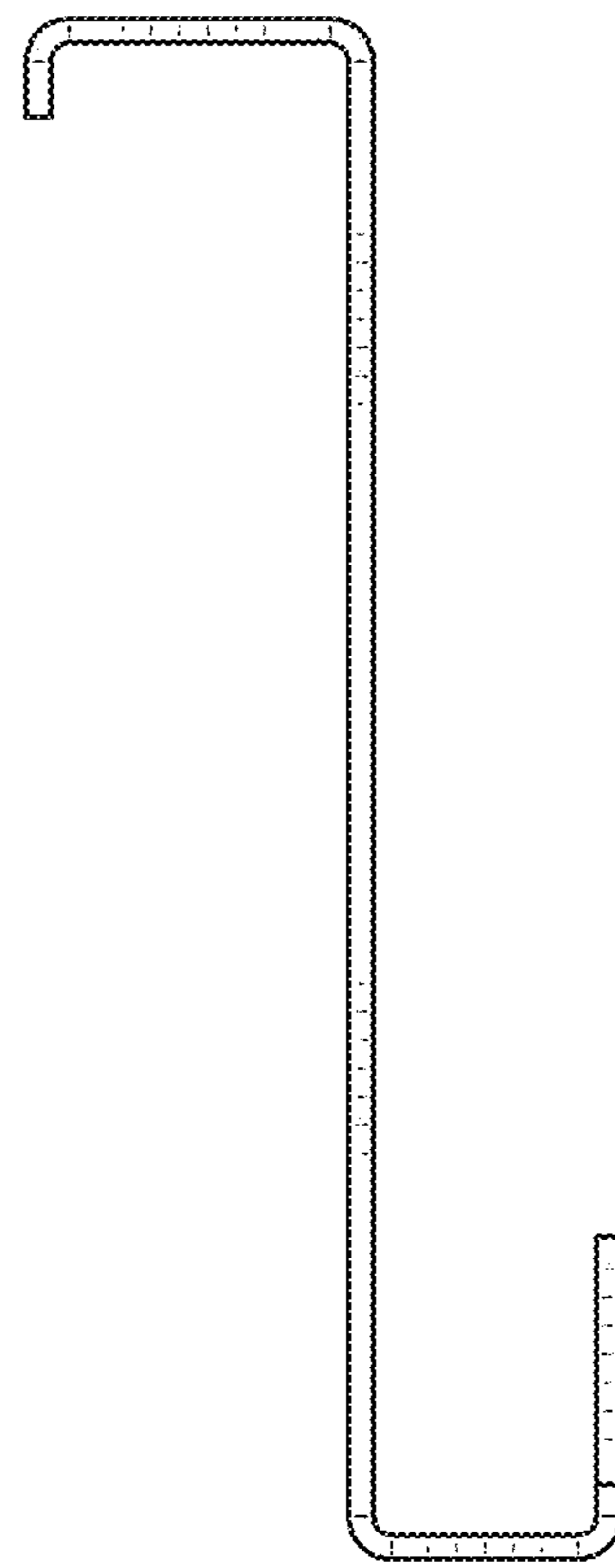


FIG. 5

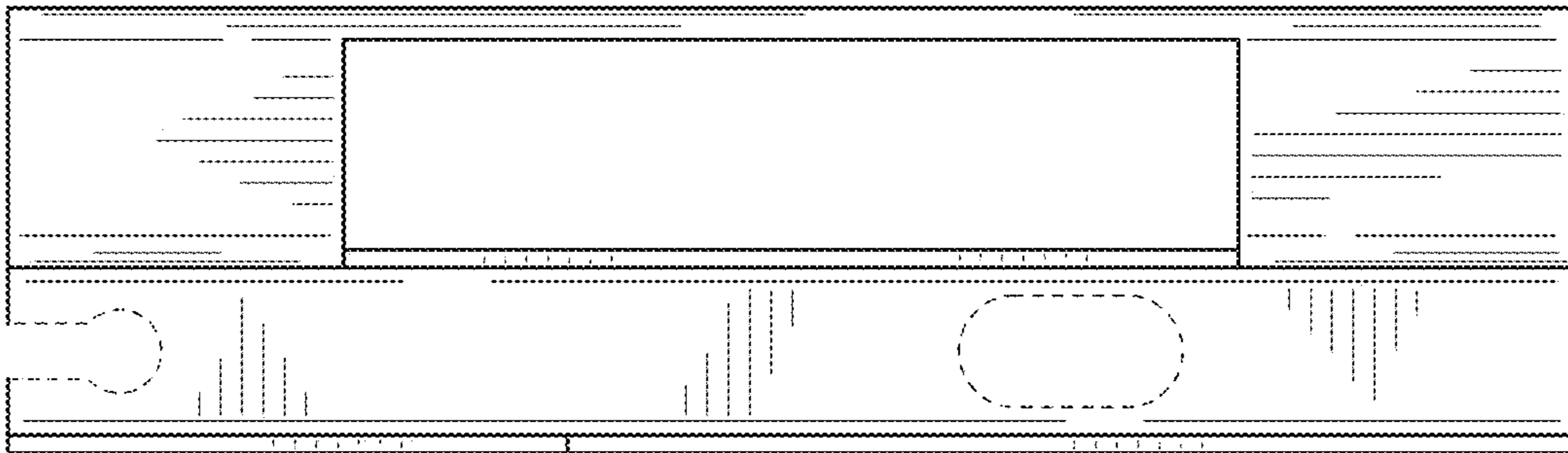


FIG. 6

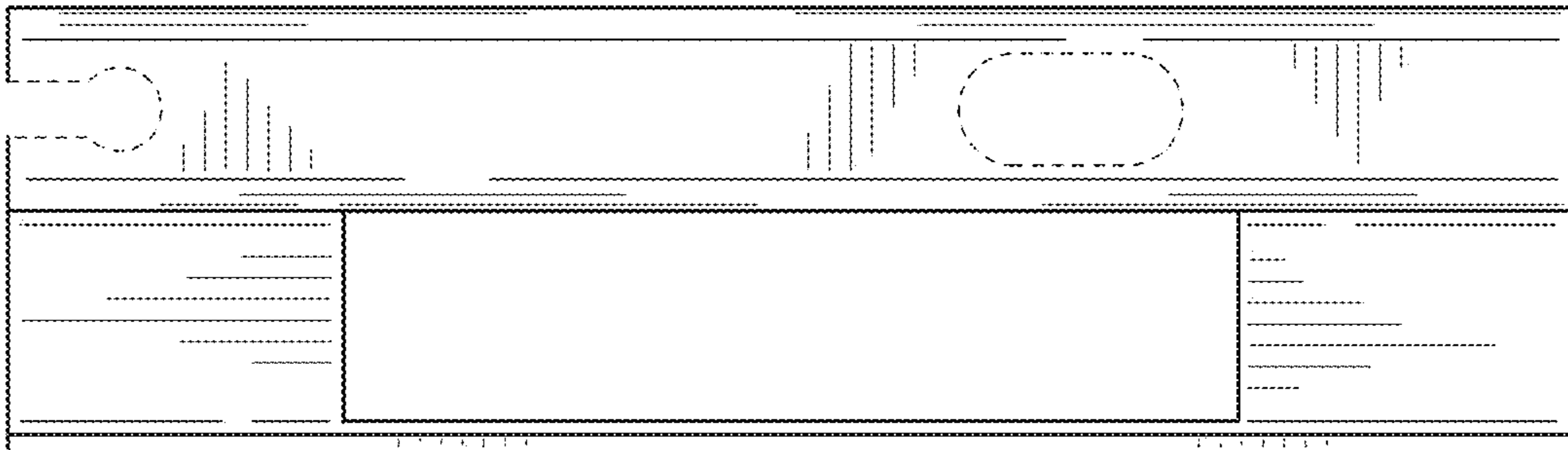


FIG. 7