



US00D923539S

(12) **United States Design Patent** (10) **Patent No.:** **US D923,539 S**
Wraith et al. (45) **Date of Patent:** **** Jun. 29, 2021**

(54) **VEHICLE REAR BUMPER COVER**

(71) Applicant: **Ford Global Technologies, LLC,**
Dearborn, MI (US)

(72) Inventors: **Paul Wraith**, West Bloomfield, MI
(US); **Martin B. Coons**, Detroit, MI
(US); **Anthony Meyer**, Royal Oak, MI
(US); **Young Kwon**, Cologne (DE);
Joseph F. Denatale, Jr., Royal Oak, MI
(US)

(73) Assignee: **Ford Global Technologies, LLC,**
Dearborn, MI (US)

(**) Term: **15 Years**

(21) Appl. No.: **29/726,392**

(22) Filed: **Mar. 3, 2020**

(51) **LOC (13) Cl.** **12-16**

(52) **U.S. Cl.**
USPC **D12/169**

(58) **Field of Classification Search**
USPC D12/82, 85, 86, 87, 88, 89, 90, 91, 92,
D12/93, 96, 97, 98, 99, 163, 164, 165,
D12/166, 167, 169, 170, 171, 172, 173,
D12/181, 184, 185, 190, 196, 216, 223,
D12/400; D21/533, 548, 552, 561;
D15/31

CPC B60R 19/00; B60R 19/02; B60R 19/24;
B60R 19/50; B60R 19/52; B60R 19/56;
B60R 2019/026; B60R 2019/525; B60R
2019/527; B60R 2019/1813; B60R
2019/1833; B60R 2019/1886; B62D
25/08; B62D 25/084; B62D 25/16; B62D
25/18; B62D 25/161; B62D 25/168;
B62D 25/182

See application file for complete search history.

(56) **References Cited**

U.S. PATENT DOCUMENTS

D360,865 S * 8/1995 Hanson D12/169
D536,646 S * 2/2007 Shimoguchi D12/169

D611,395 S * 3/2010 Krugger D12/169
D713,306 S * 9/2014 Sperling D12/169
D721,304 S * 1/2015 Platto D12/169
D739,798 S * 9/2015 O'Donnell D12/169
D792,817 S * 7/2017 McMath D12/171
D846,459 S * 4/2019 Langhals D12/169

(Continued)

OTHER PUBLICATIONS

2021 Ford Bronco, Published date unavailable [online], [retrieved
on Mar. 2, 2021]. Retrieved from the Internet: <https://www.ford.com/suvs/bronco/2021/gallery/#2021-bronco-gallery-image-f32a0e08af62e585021293c320ea832e-ai> (Year: 2021).*

(Continued)

Primary Examiner — Christian P. McLean

Assistant Examiner — Adam C Mager

(74) *Attorney, Agent, or Firm* — Michael Spenner

(57) **CLAIM**

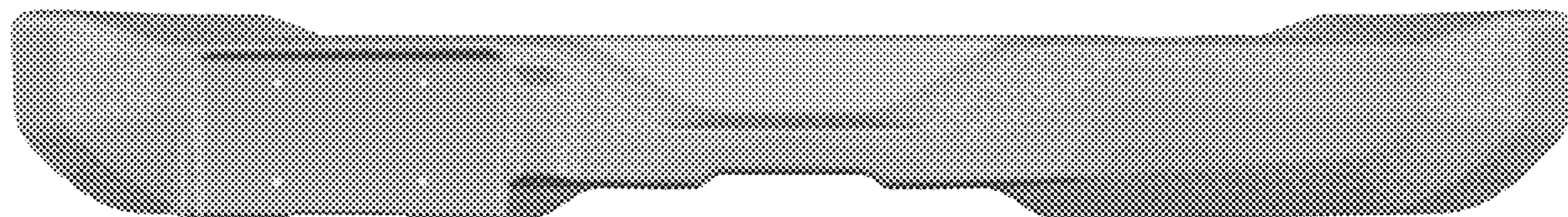
The ornamental design for a vehicle rear bumper cover, as
shown and described.

DESCRIPTION

FIG. 1 is a front elevational view of a vehicle rear bumper
cover, showing our new design;
FIG. 2 is a left side elevational view thereof;
FIG. 3 is a right side elevational view thereof;
FIG. 4 is a top plan view thereof;
FIG. 5 is a bottom plan view thereof;
FIG. 6 is a top, front and left side perspective view thereof;
and,
FIG. 7 is a bottom, front and left side perspective view
thereof.

The claimed design is indicated by the relatively dark
portions in the figures. The de-emphasized and relatively
light portions form no part of the claimed design.

1 Claim, 7 Drawing Sheets



(56)

References Cited

U.S. PATENT DOCUMENTS

D846,460 S * 4/2019 Goodrich D12/169
D879,685 S * 3/2020 Bennett D12/171
D909,261 S * 2/2021 Marshall D12/169
2018/0029550 A1* 2/2018 Campbell B60R 19/26

OTHER PUBLICATIONS

Unknown, My observations from seeing see the actual 4-door Bronco raw, unpainted sheet metal shell, Feb. 15, 2020 <https://www.bronco6g.com/forum/threads/my-observations-from-seeing-see-the-actual-4-door-bronco-raw-unpainted-sheet-metal-shell.1048/>.

Unknown, Here's the 2021 Bronco's Tail Light Shape Illuminated, Feb. 19, 2020 <https://www.bronco6g.com/forum/threads/heres-the-2021-broncos-tail-light-shape-illuminated.1071/>.

Unknown, 2021 Bronco Interior Spied Undisguised!!, Feb. 25, 2020 <https://www.bronco6g.com/forum/threads/2021-bronco-interior-spied-undisguised.1096/>.

* cited by examiner

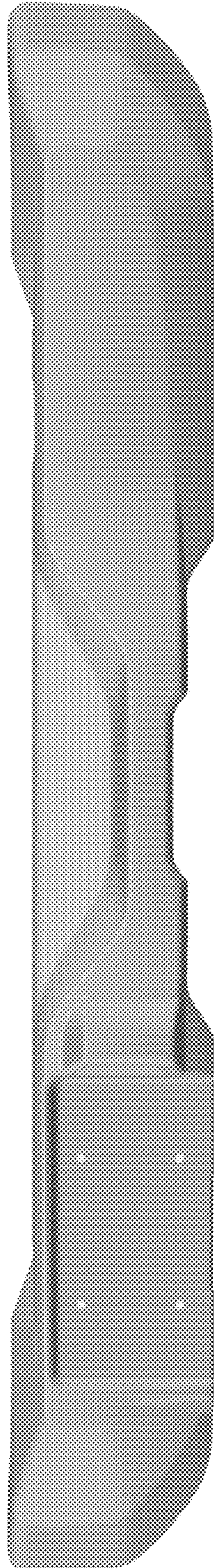


Fig. 1

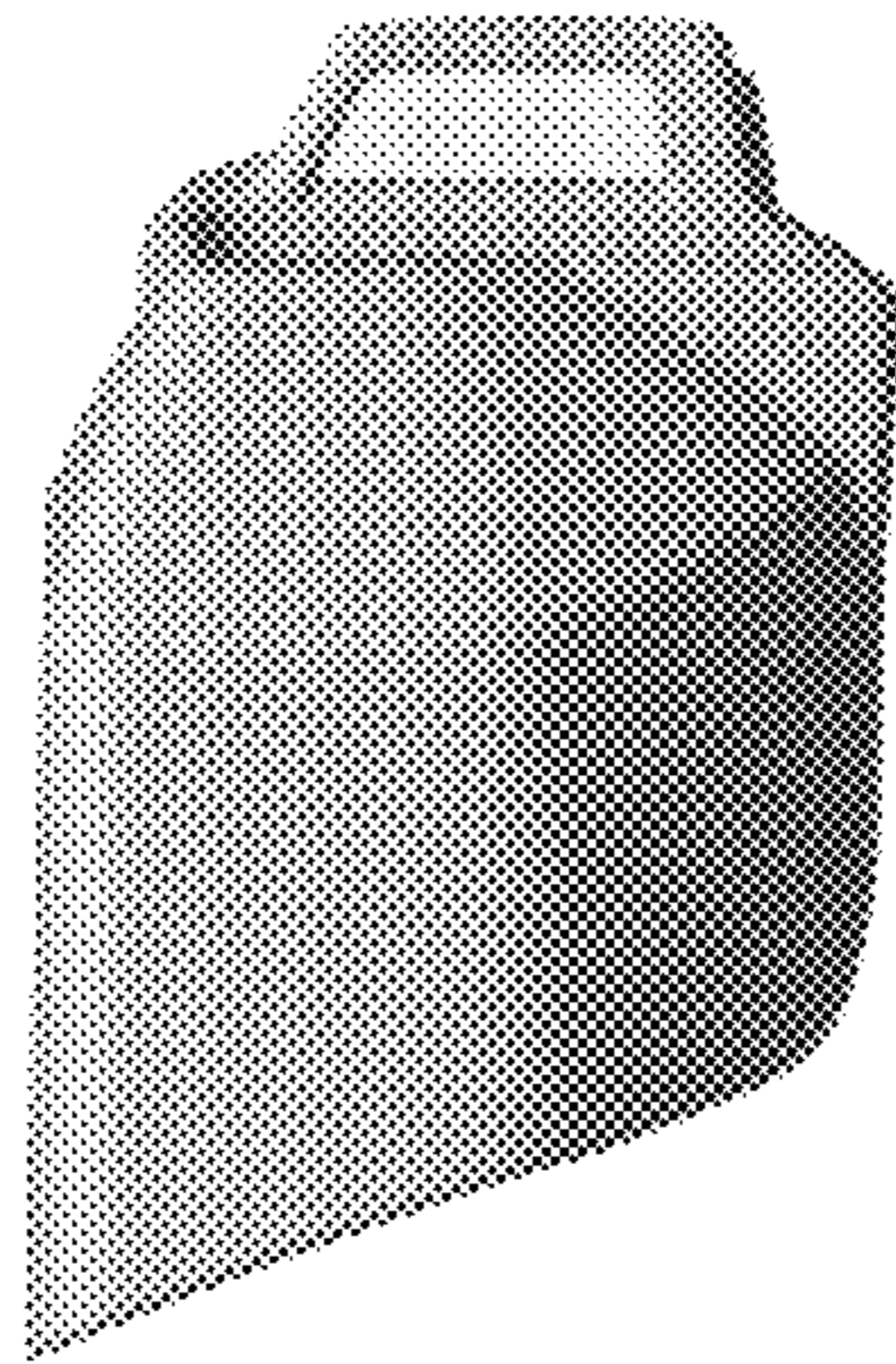


Fig. 2

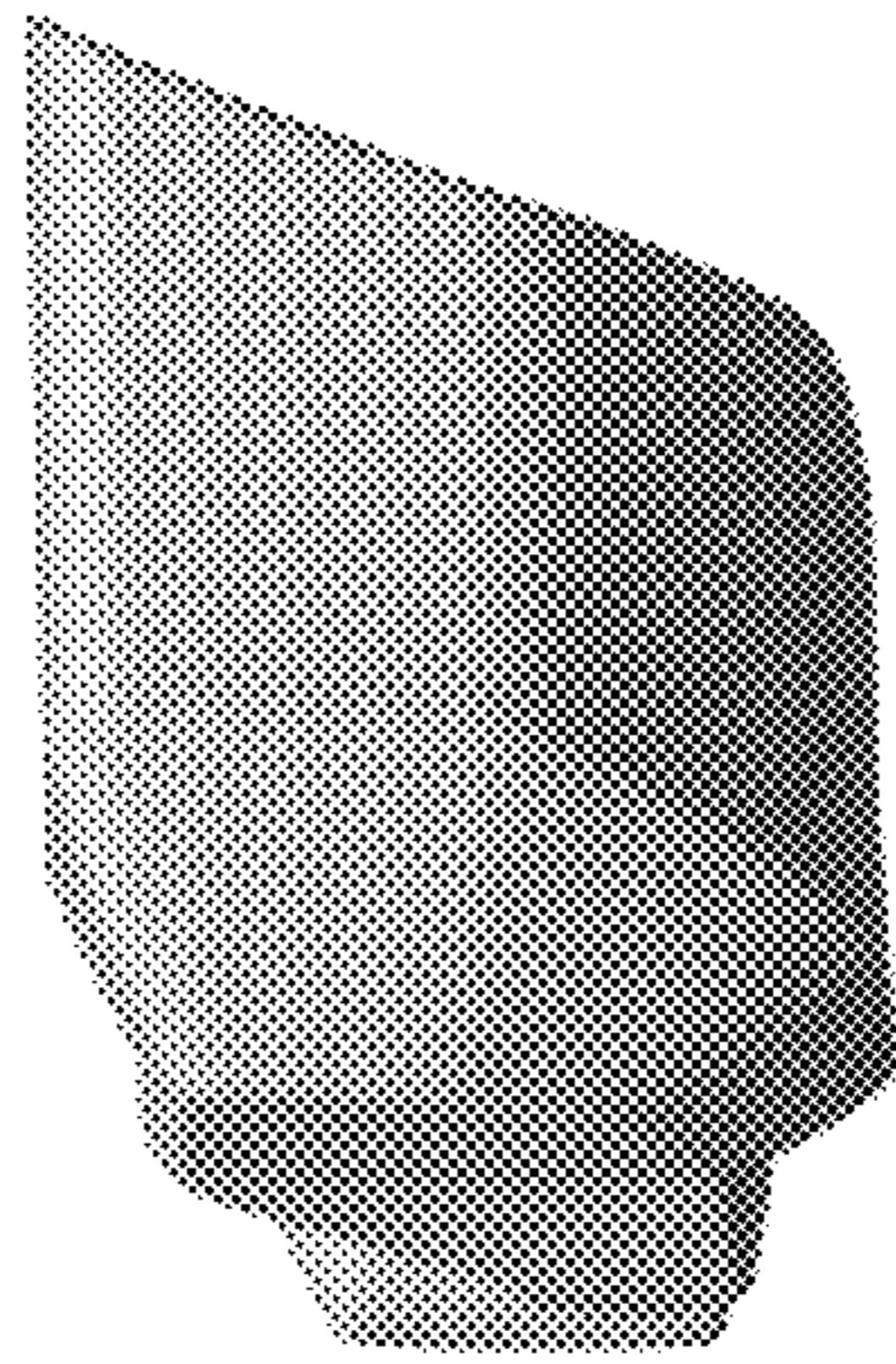


Fig. 3

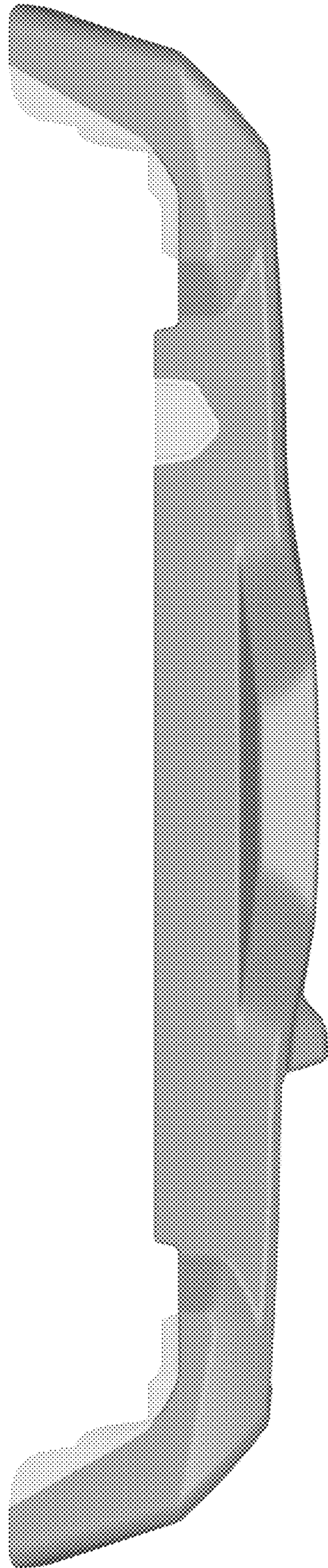


Fig.4

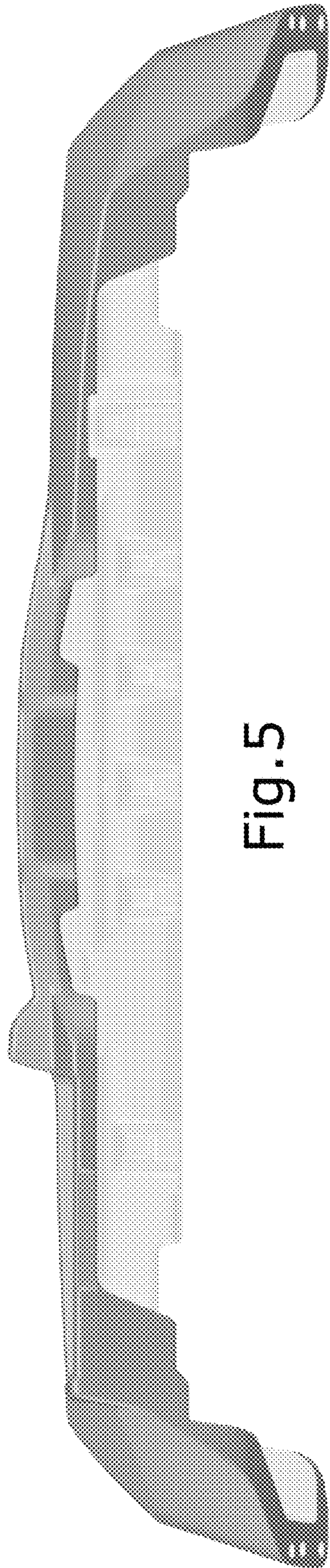


Fig. 5

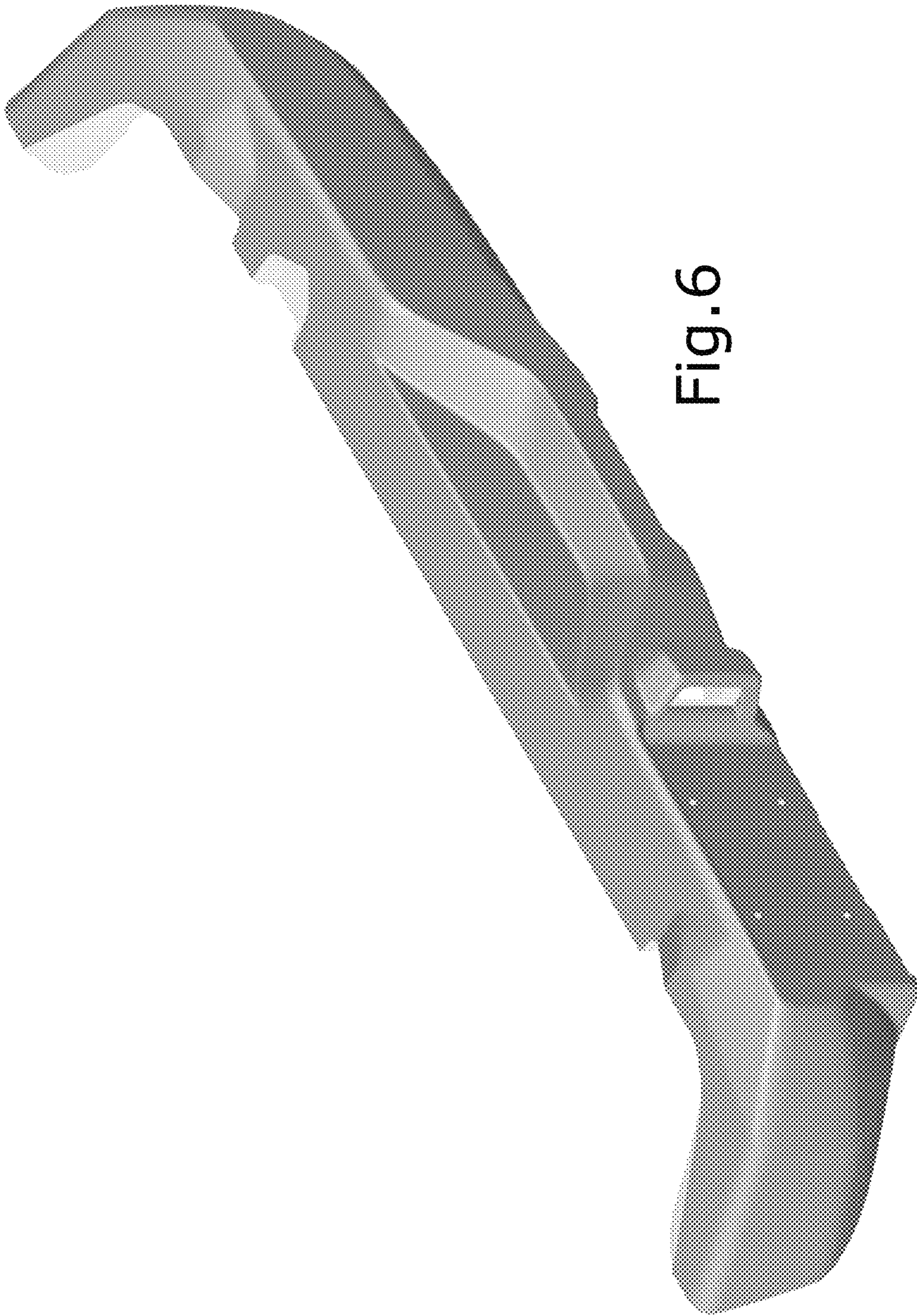


Fig. 6

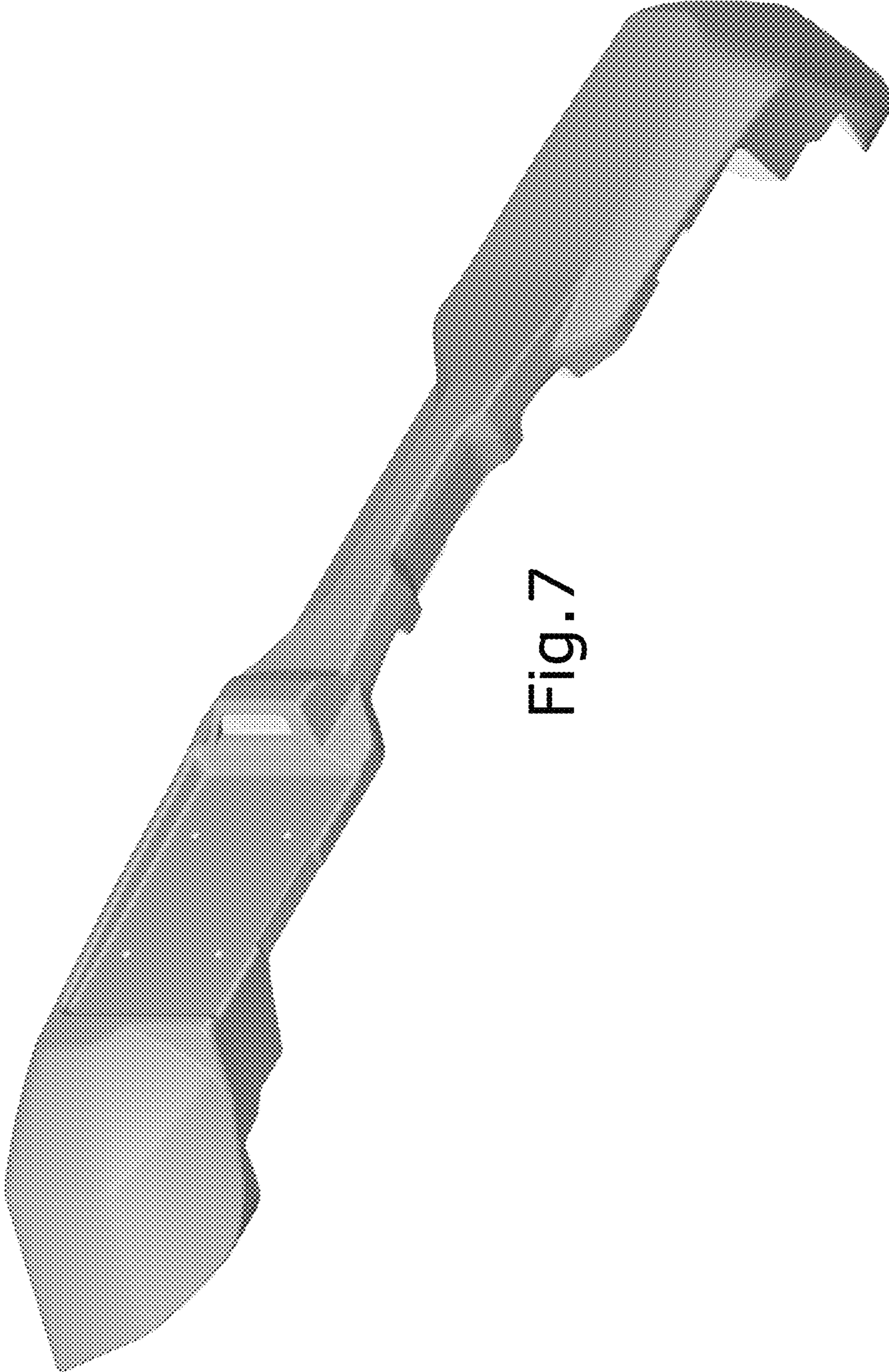


Fig. 7