



US00D923530S

(12) **United States Design Patent** (10) **Patent No.:** **US D923,530 S**
Burki (45) **Date of Patent:** **** Jun. 29, 2021**

(54) **REAR BUMPER FOR MOTOR VEHICLE**

(71) Applicant: **Dr. Ing. h.c. F. Porsche**
Aktiengesellschaft, Stuttgart (DE)

(72) Inventor: **Emiel Burki, Stuttgart (DE)**

(73) Assignee: **Dr. Ing. h.c. F. Porsche**
Aktiengesellschaft

(**) Term: **15 Years**

(21) Appl. No.: **29/713,378**

(22) Filed: **Nov. 15, 2019**

(30) **Foreign Application Priority Data**

May 17, 2019 (DE) 402019100552.8

(51) **LOC (13) Cl.** **12-16**

(52) **U.S. Cl.**
USPC **D12/169**

(58) **Field of Classification Search**
USPC D12/163, 196, 86, 90-92, 169, 190, 98,
D12/164; 293/102, 113, 115, 117, 120,
293/193.11; 296/180.1, 180.2; 180/68.1,
180/68.6

CPC B60R 19/02; B60R 19/04; B62D 25/08
See application file for complete search history.

(56) **References Cited**

U.S. PATENT DOCUMENTS

D702,158 S	4/2014	Borkert	
D712,802 S	9/2014	Scheinhütte	
D725,010 S *	3/2015	Takei	D12/169
D766,786 S	9/2016	Varga	
D782,373 S *	3/2017	Curie	D12/169
D792,291 S *	7/2017	Suga	D12/169
D798,779 S	10/2017	Varga	
D800,034 S *	10/2017	Kojima	D12/169
D802,500 S *	11/2017	Han	D12/169
D807,801 S *	1/2018	Piscitelli	D12/169

D814,994 S	4/2018	Varga	
D824,817 S *	8/2018	Morikawa	D12/169
D824,818 S *	8/2018	Morikawa	D12/169
D826,113 S *	8/2018	Kanai	D12/169
D838,638 S *	1/2019	Wada	D12/169
D840,883 S *	2/2019	Cartabiano	D12/169
D841,537 S *	2/2019	Morikawa	D12/169
D853,905 S *	7/2019	Betancourt	D12/169
D858,376 S	9/2019	Scheinhütte	
D865,583 S *	11/2019	Burki	D12/169
D866,418 S *	11/2019	Peplowski	D12/169
D867,234 S *	11/2019	Peplowski	D12/169
D882,467 S *	4/2020	Matsumoto	D12/169
D882,468 S *	4/2020	Sperling	D12/169
D909,930 S *	2/2021	Patel	D12/169

OTHER PUBLICATIONS

Design U.S. Appl. No. 29/621,312, by Burki, filed Oct. 6, 2017.
Design U.S. Appl. No. 29/653,658, by Burki, filed Jun. 18, 2018.

* cited by examiner

Primary Examiner — Melody N Brown
(74) *Attorney, Agent, or Firm* — RatnerPrestia

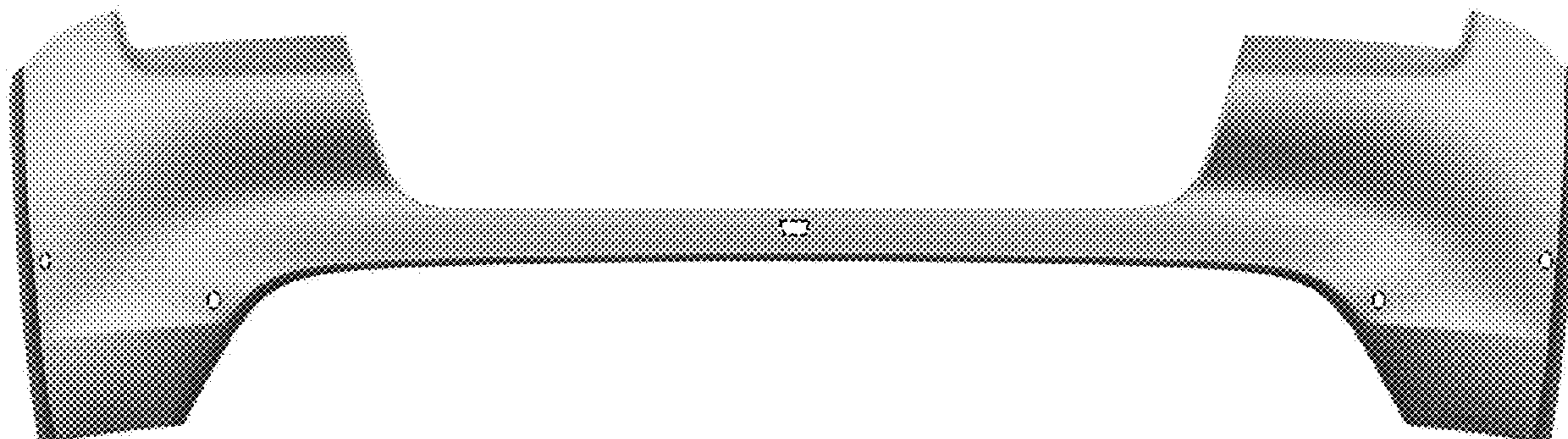
(57) **CLAIM**

The ornamental design for a rear bumper for motor vehicle, as shown and described.

DESCRIPTION

FIG. 1 is a left perspective view of a rear bumper for motor vehicle;
FIG. 2 is a rear elevation view thereof;
FIG. 3 is a front elevation view thereof;
FIG. 4 is an elevation view thereof from the right side;
FIG. 5 is an elevation view thereof from the left side;
FIG. 6 is a top plan view thereof; and,
FIG. 7 is a bottom plan view thereof.
The portions of the rear bumper for motor vehicle shown in broken lines are for illustrative and environmental purposes and form no part of the claimed design.

1 Claim, 4 Drawing Sheets



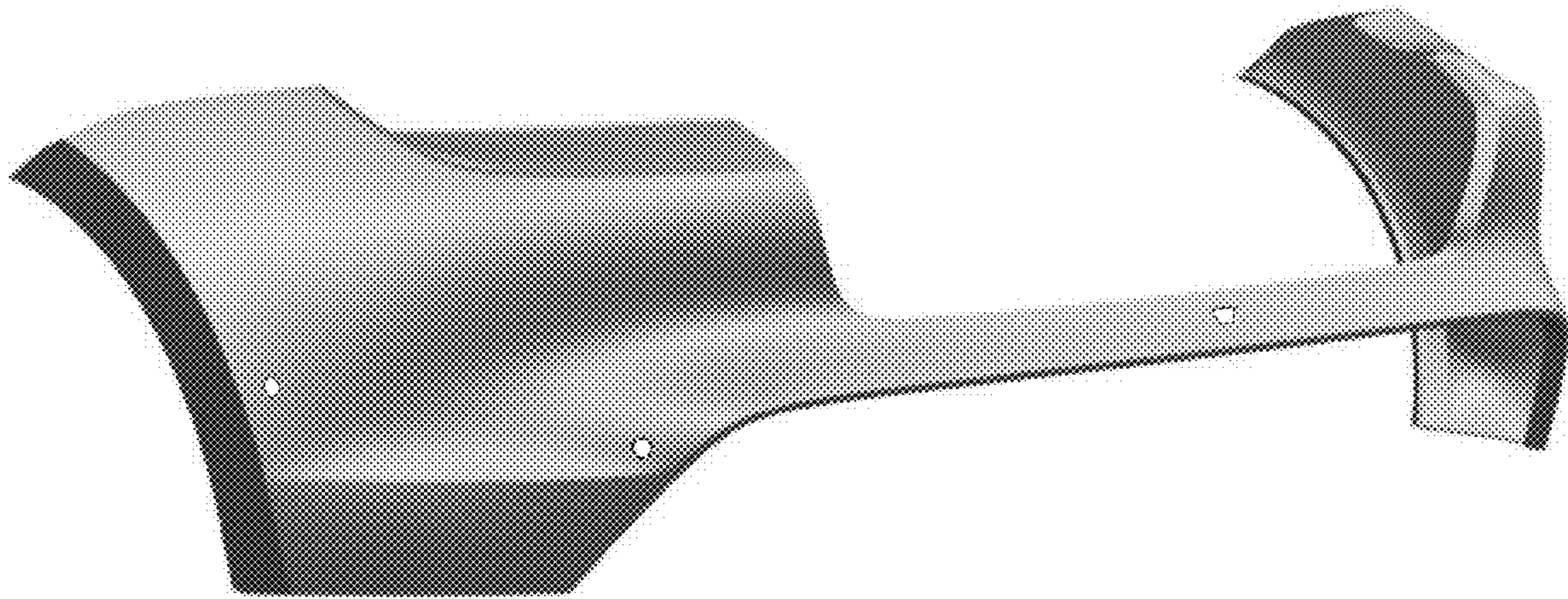


FIG. 1

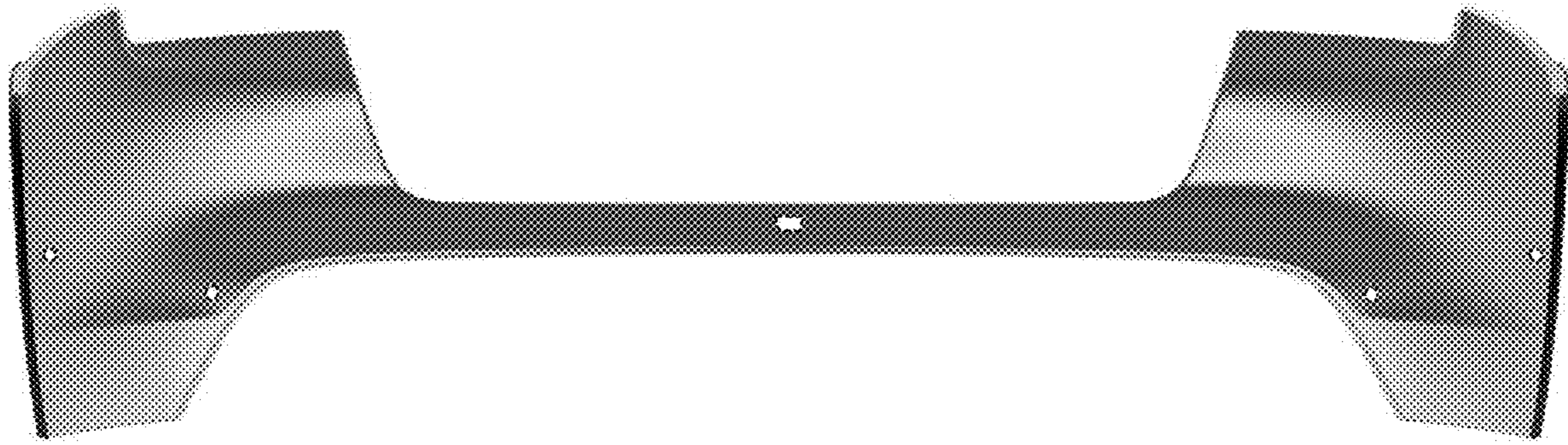


FIG. 2

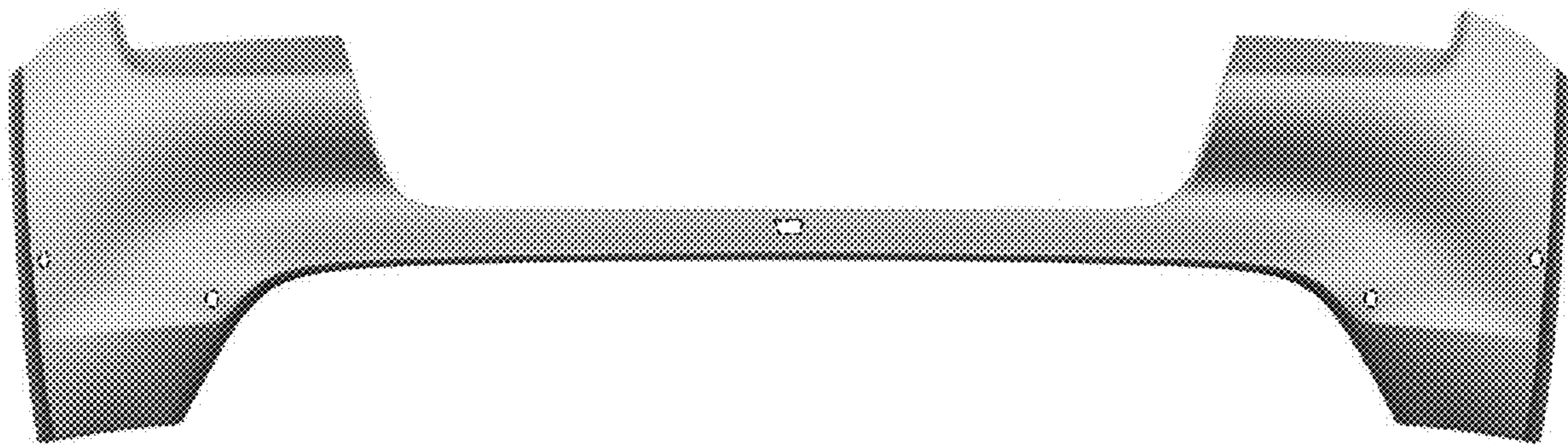


FIG. 3

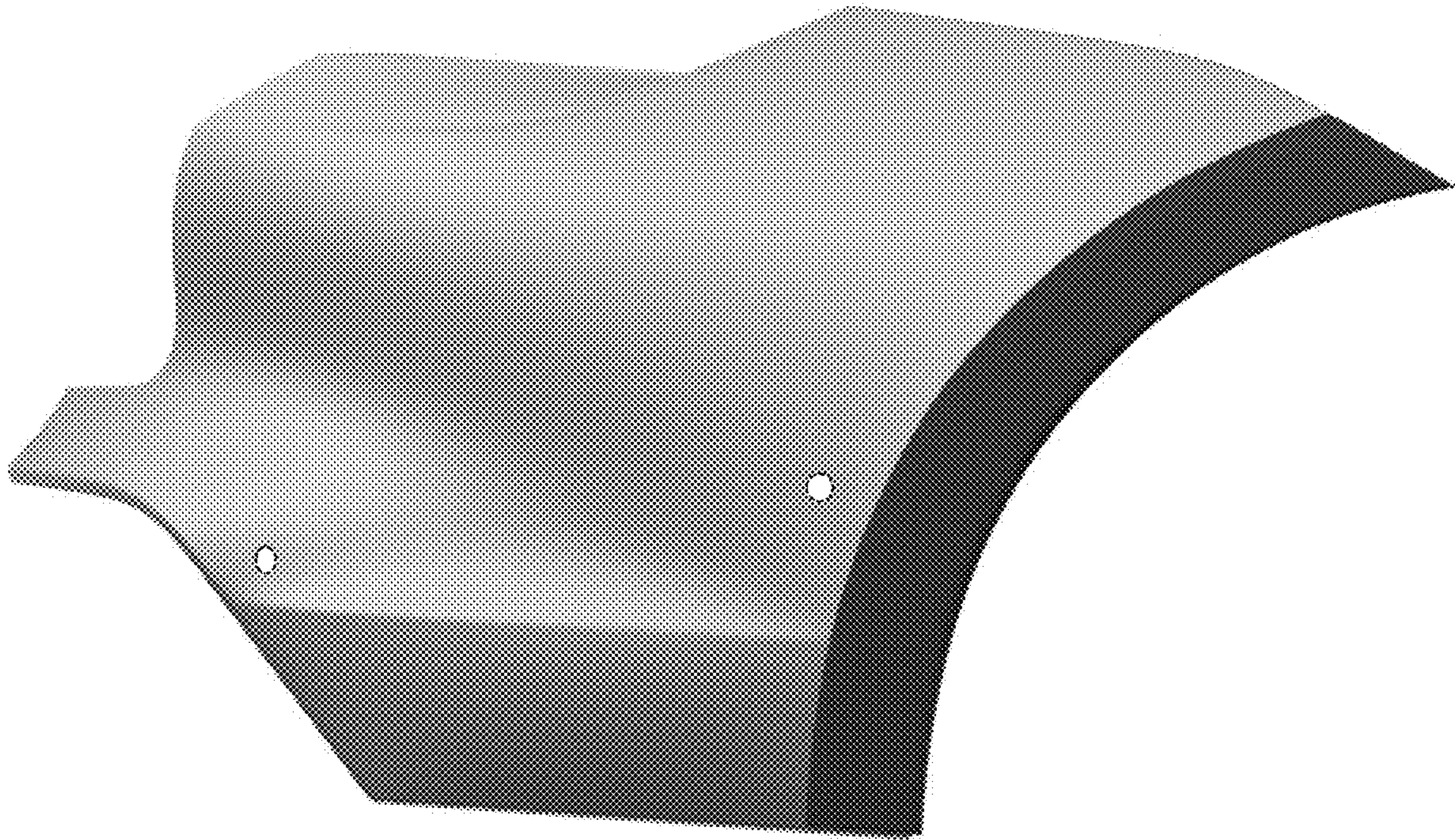


FIG. 4

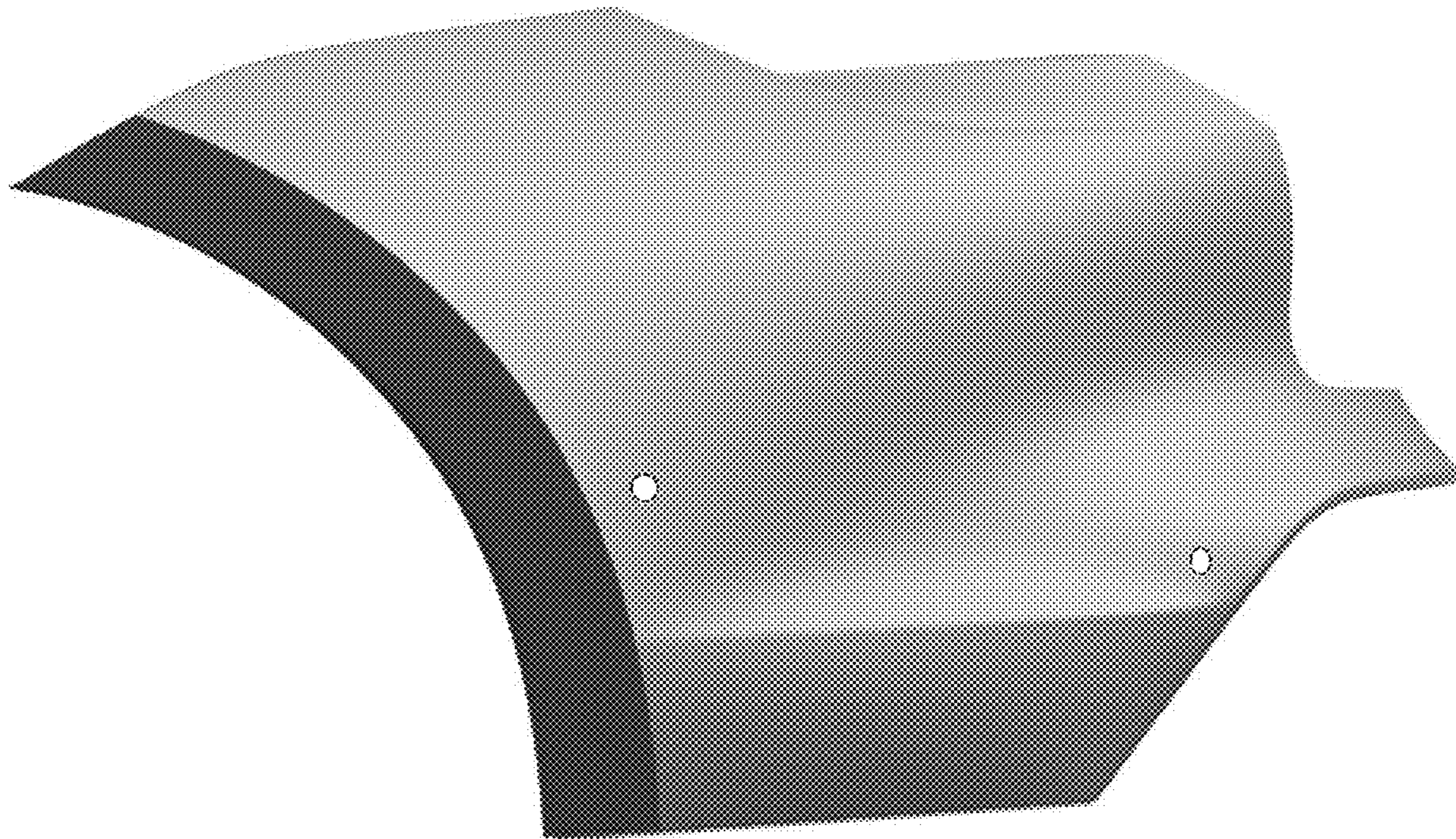


FIG. 5

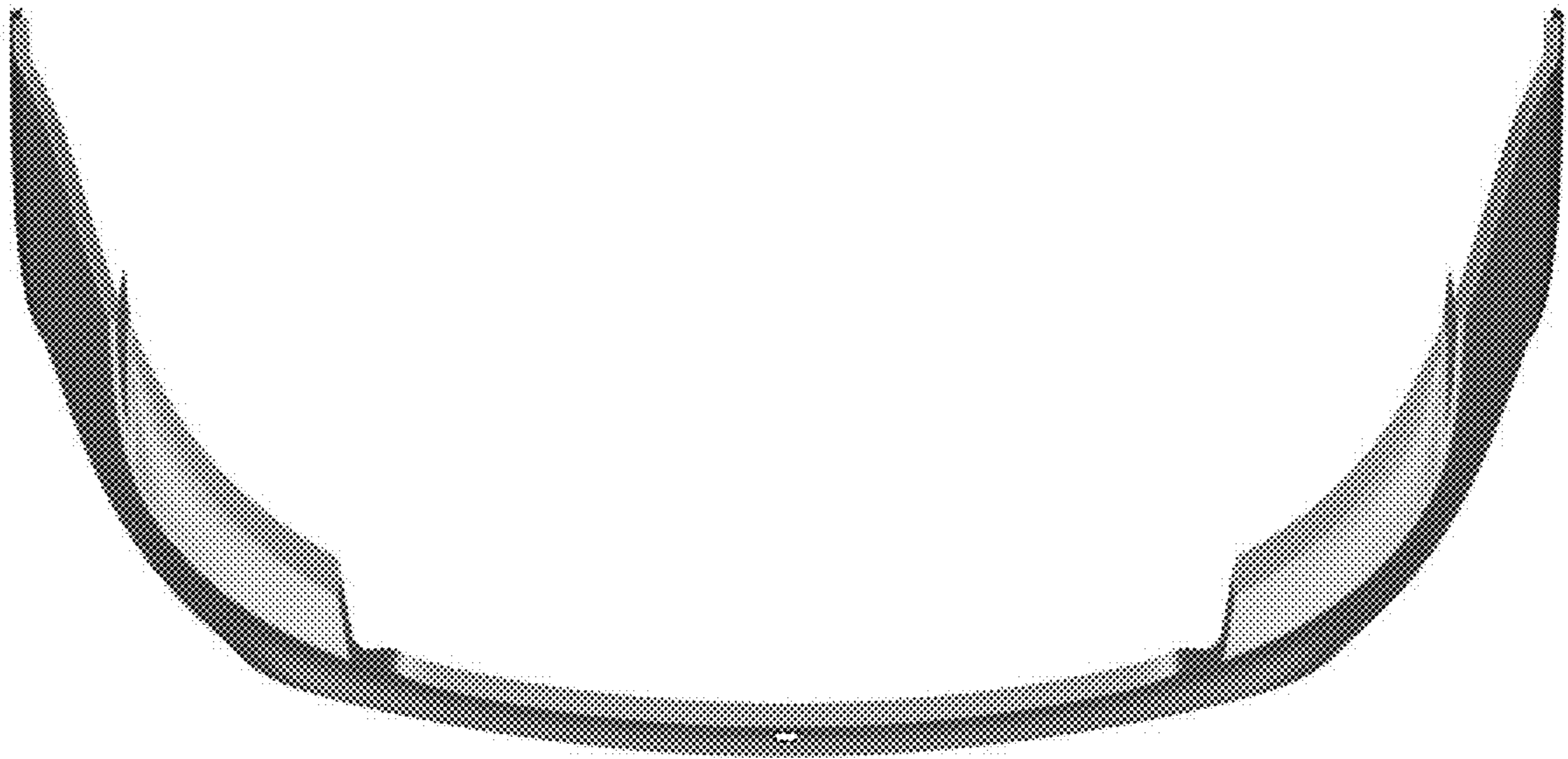


FIG. 6

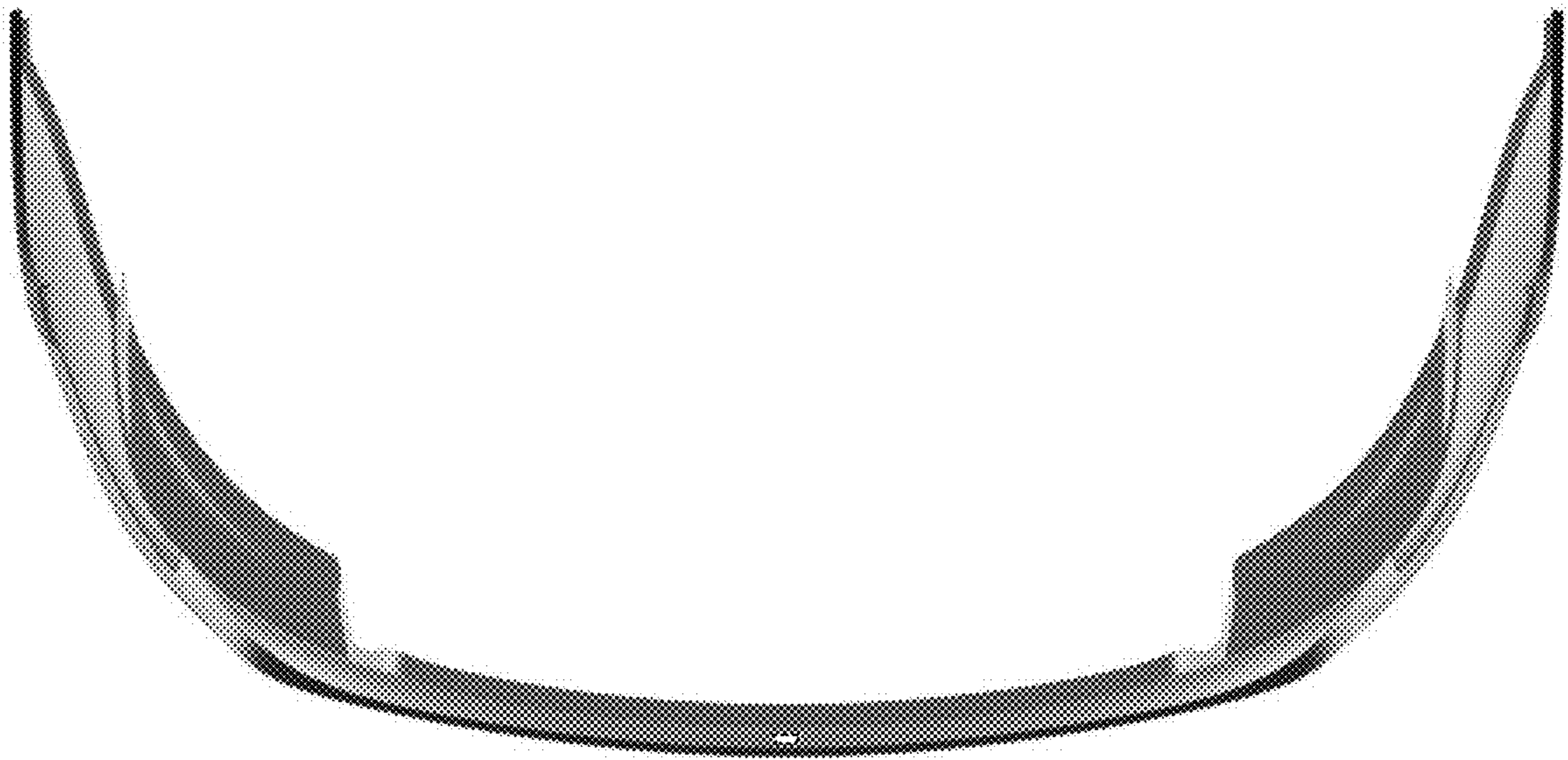


FIG. 7