



US00D923526S

(12) **United States Design Patent** (10) **Patent No.:** **US D923,526 S**  
**Piaskowski et al.** (45) **Date of Patent:** **\*\* Jun. 29, 2021**

(54) **VEHICLE FRONT UPPER GRILLE SURROUND**

(71) Applicant: **Ford Global Technologies, LLC**, Dearborn, MI (US)

(72) Inventors: **Joel Piaskowski**, Birmingham, MI (US); **Gordon M. Platto**, Troy, MI (US); **Christopher G. Walter**, Traverse City, MI (US); **Murat Gueler**, Pulheim (DE); **Colin R. Bonathan**, Dearborn, MI (US); **Omead Dorandishyazdi**, Superior Township, MI (US); **Aditya Narayan**, Detroit, MI (US)

(73) Assignee: **Ford Global Technologies, LLC**, Dearborn, MI (US)

(\*\*) Term: **15 Years**

(21) Appl. No.: **29/708,955**

(22) Filed: **Oct. 10, 2019**

(51) **LOC (13) Cl.** ..... **12-16**

(52) **U.S. Cl.**  
USPC ..... **D12/163**

(58) **Field of Classification Search**  
USPC ..... D12/82, 85, 86, 87, 88, 89, 90, 91, 92, D12/93, 96, 97, 98, 99, 163, 164, 165, D12/166, 167, 169, 170, 171, 172, 173, D12/181, 184, 185, 190, 196, 216, 223, D12/400; D21/533, 548, 552, 561; D15/31  
CPC ..... B60R 19/00; B60R 19/02; B60R 19/24; B60R 19/50; B60R 19/52; B60R 19/56; B60R 2019/026; B60R 2019/525; B60R 2019/527; B60R 2019/1813; B60R 2019/1833; B60R 2019/1886; B62D 25/08; B62D 25/084; B62D 25/16; B62D 25/18; B62D 25/161; B62D 25/168; B62D 25/182

See application file for complete search history.

(56) **References Cited**

U.S. PATENT DOCUMENTS

D678,140 S \* 3/2013 Hamilton ..... D12/169  
D726,079 S \* 4/2015 Reichman ..... D12/163  
D740,725 S \* 10/2015 Payne ..... D12/163  
D751,473 S \* 3/2016 Rupar ..... D12/169

(Continued)

OTHER PUBLICATIONS

2021 Ford Mustang Mach-E—Car and Driver, Published on Nov. 24, 2020 [online], [retrieved on Feb. 28, 2021]. Retrieved from the Internet: <https://www.caranddriver.com/news/a34761928/2021-mach-e-range-300-miles/> (Year: 2020).\*

(Continued)

*Primary Examiner* — Christian P. McLean

*Assistant Examiner* — Adam C Mager

(74) *Attorney, Agent, or Firm* — Michael Spenner

(57) **CLAIM**

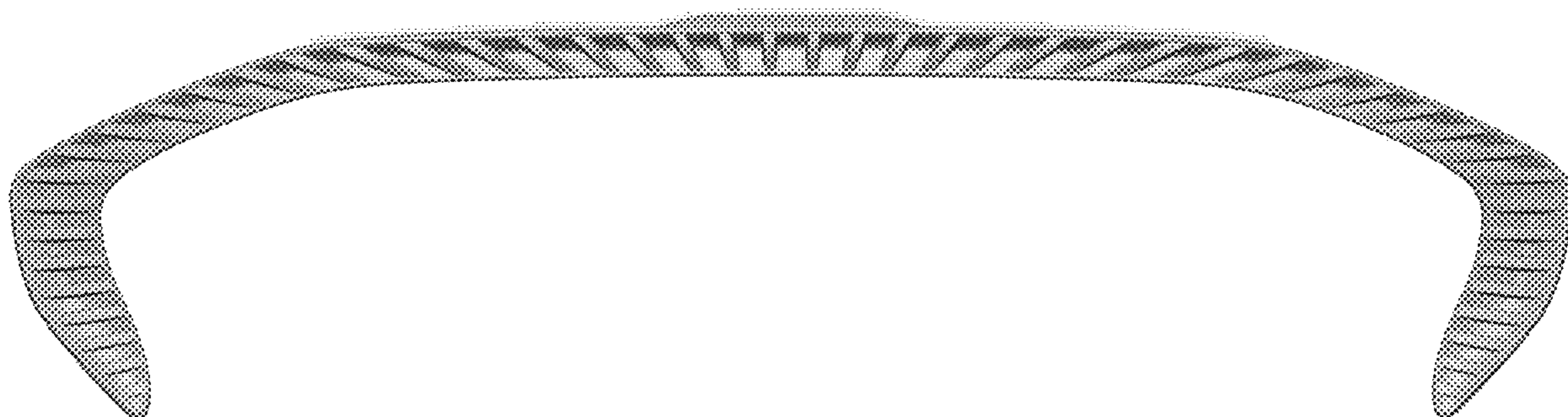
The ornamental design for a vehicle front upper grille surround, as shown and described.

**DESCRIPTION**

FIG. 1 is a front elevational view of a vehicle front upper grille surround, showing our new design;  
FIG. 2 is a left side elevational view thereof;  
FIG. 3 is a right side elevational view thereof;  
FIG. 4 is a top plan view thereof;  
FIG. 5 is a bottom plan view thereof;  
FIG. 6 is a top, front and left side perspective view thereof;  
and,  
FIG. 7 is a bottom, front and left side perspective view thereof.

The claimed design is indicated by the relatively dark portions in the figures. The de-emphasized and relatively light portions form no part of the claimed design.

**1 Claim, 7 Drawing Sheets**



(56)

**References Cited**

U.S. PATENT DOCUMENTS

D785,525 S \* 5/2017 Nurnberger ..... D12/190  
D889,325 S \* 7/2020 Geoppel ..... D12/163  
D896,126 S \* 9/2020 Platto ..... D12/91  
10,821,884 B1 \* 11/2020 Johnson ..... B60Q 1/28

OTHER PUBLICATIONS

Meghan Drummond, 2020 Mustang Hybrid, <https://www.cjponyparts.com/resources/2020-mustang-hybrid> Sep. 13, 2019.

Andrew Krok, Ford's 'Mustang-inspired' electric SUV: Everything we know, <https://www.cnet.com/roadshow/news/ford-mustang-inspired-electric-sub-details-rumors> Oct. 2, 2019.

Ford News Clips—Briefing, Ford's EV Strategy takes Shape In Search For Popularity and Profit, Sep. 3, 2019.

\* cited by examiner

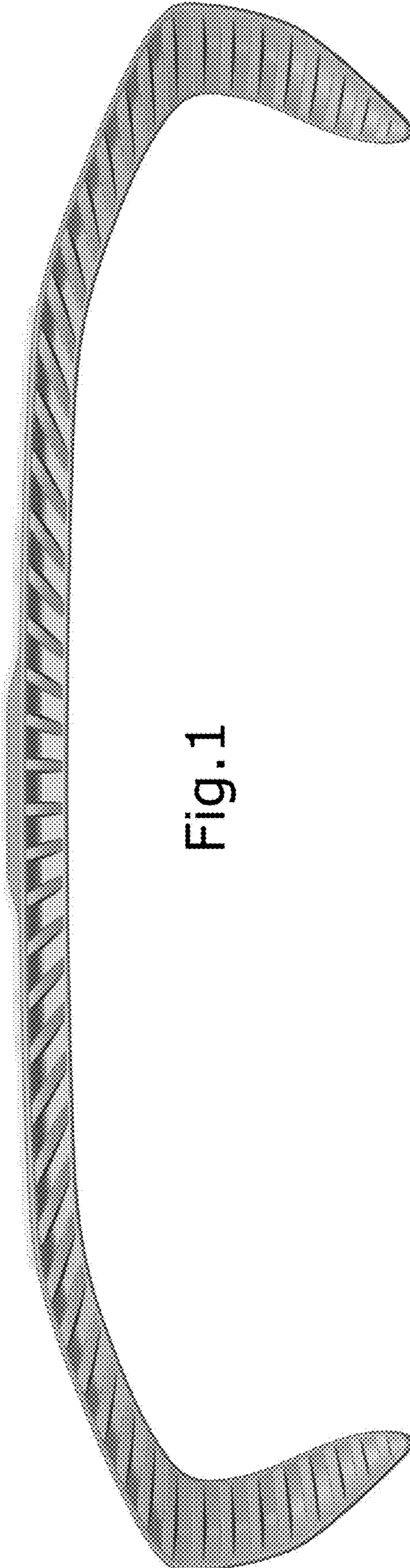


Fig. 1



Fig. 2



Fig. 3

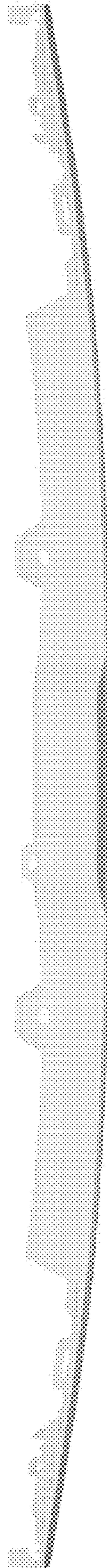
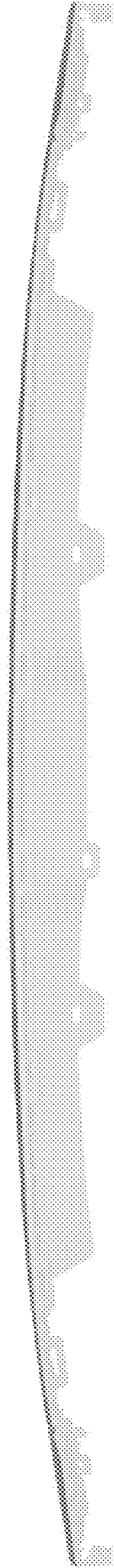


Fig.4

Fig. 5



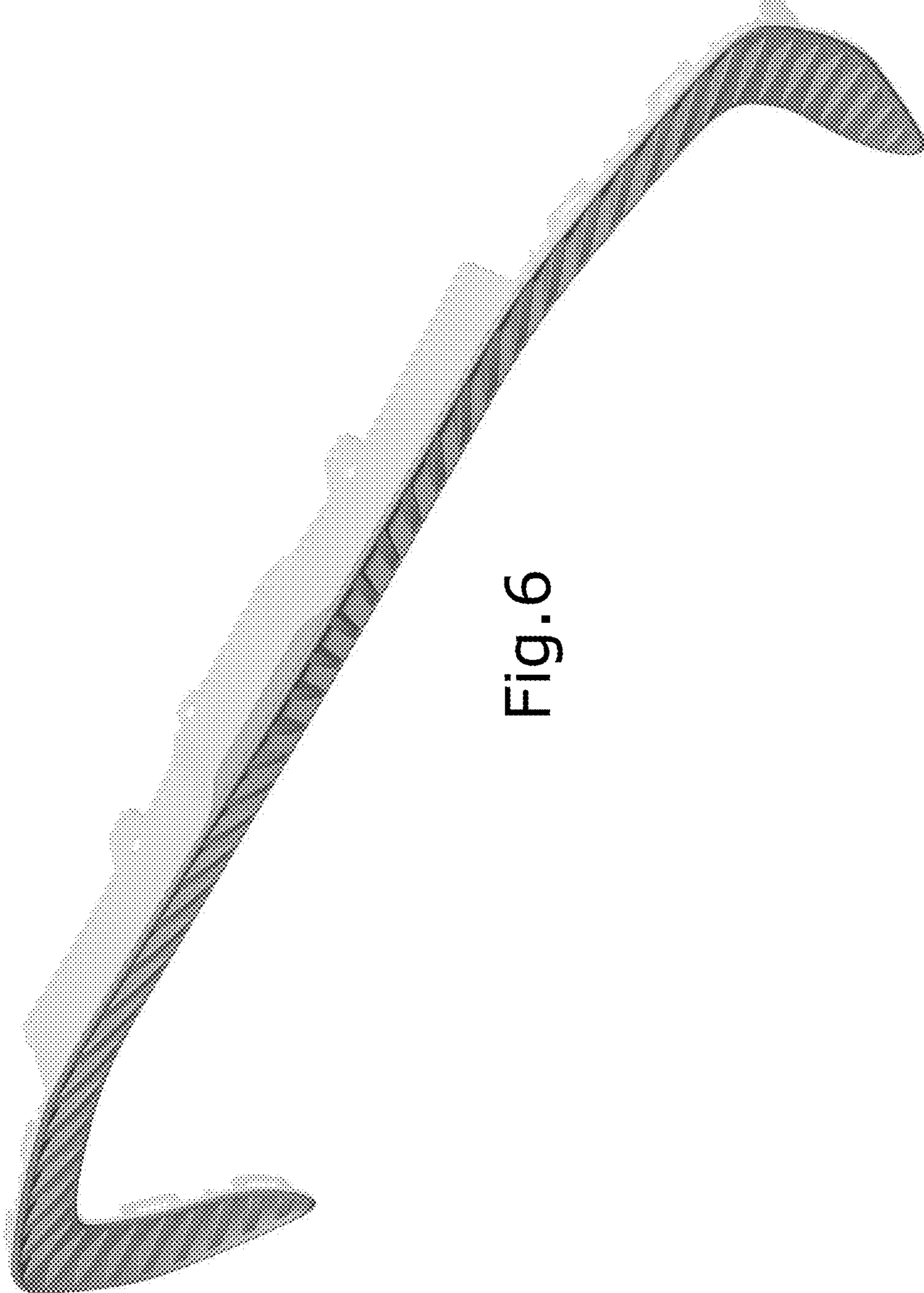


Fig.6



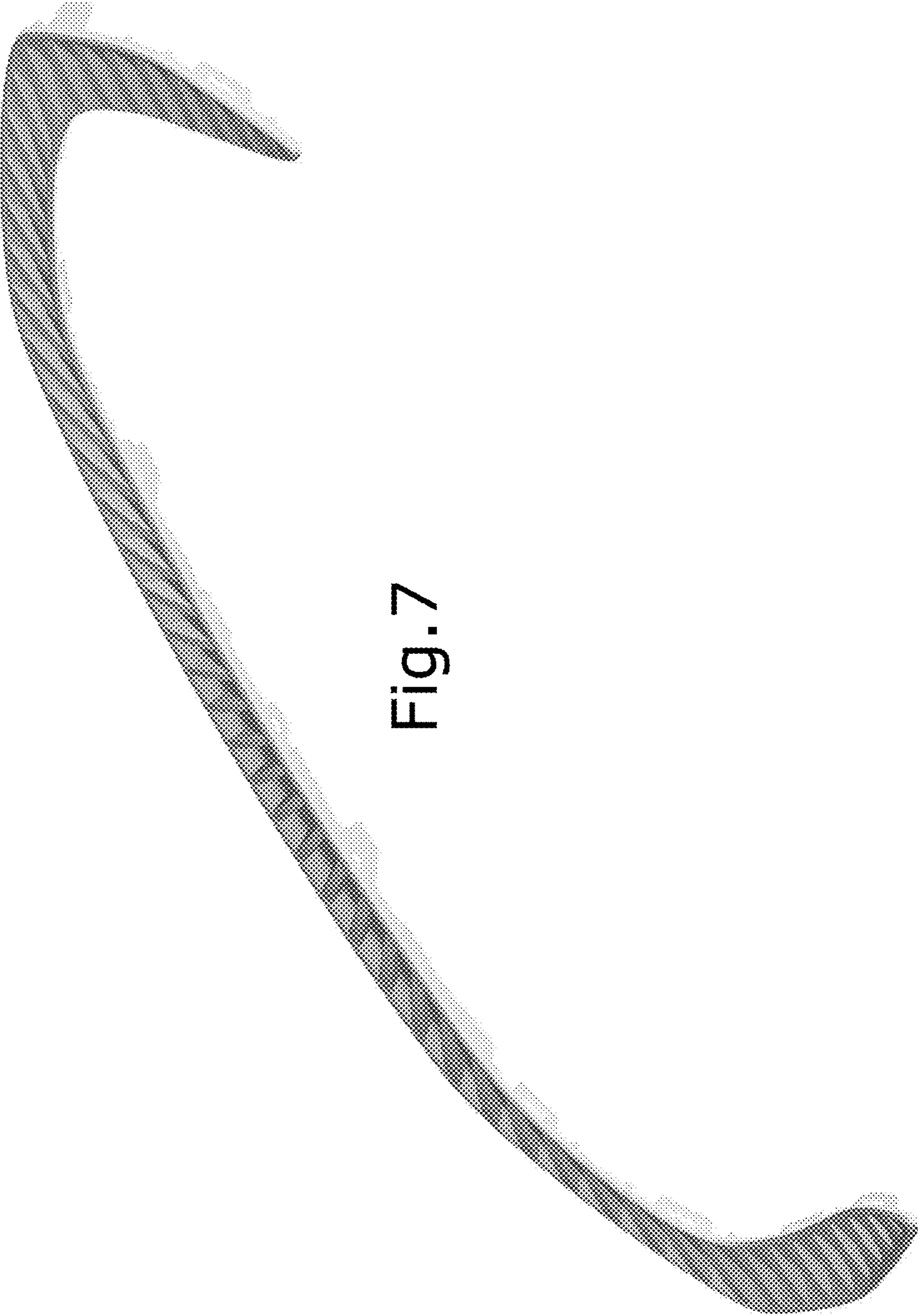


Fig. 7