



US00D923524S

(12) **United States Design Patent** (10) **Patent No.:** **US D923,524 S**  
**Piaskowski et al.** (45) **Date of Patent:** **\*\* Jun. 29, 2021**

(54) **VEHICLE FRONT UPPER GRILLE SHIELD**  
(71) Applicant: **Ford Global Technologies, LLC**, Dearborn, MI (US)  
(72) Inventors: **Joel Piaskowski**, Birmingham, MI (US); **Gordon M. Platto**, Troy, MI (US); **Christopher G. Walter**, Traverse City, MI (US); **Colin R. Bonathan**, Dearborn, MI (US); **Omead Dorandishyazdi**, Superior Township, MI (US); **Nima Nourian**, Bloomfield, MI (US)  
(73) Assignee: **Ford Global Technologies, LLC**, Dearborn, MI (US)  
(\*\*) Term: **15 Years**  
(21) Appl. No.: **29/708,853**  
(22) Filed: **Oct. 10, 2019**  
(51) **LOC (13) Cl.** ..... **12-16**  
(52) **U.S. Cl.**  
USPC ..... **D12/163**  
(58) **Field of Classification Search**  
USPC ..... D12/82, 85, 86, 87, 88, 89, 90, 91, 92, D12/93, 96, 97, 98, 99, 163, 164, 165, D12/166, 167, 169, 170, 171, 172, 173, D12/181, 184, 185, 190, 196, 216, 223, D12/400; D21/533, 548, 552, 561; D15/31  
CPC ..... B60R 19/00; B60R 19/02; B60R 19/24; B60R 19/50; B60R 19/52; B60R 19/56; B60R 2019/026; B60R 2019/525; B60R 2019/527; B60R 2019/1813; B60R 2019/1833; B60R 2019/1886; B62D 25/08; B62D 25/084; B62D 25/16; B62D 25/18; B62D 25/161; B62D 25/168; B62D 25/182  
See application file for complete search history.

(56) **References Cited**  
U.S. PATENT DOCUMENTS  
D526,253 S \* 8/2006 Oda ..... D12/163  
D533,118 S \* 12/2006 Toyooka ..... D12/163  
D535,222 S \* 1/2007 Onoue ..... D12/163  
D537,018 S \* 2/2007 Fujimaki ..... D12/163  
D752,485 S \* 3/2016 Chung ..... D12/163  
D775,553 S \* 1/2017 Ishii ..... D12/163  
(Continued)

**OTHER PUBLICATIONS**  
2020 Electric Ford Mustang Mach-E GT, Published on Nov. 17, 2019 [online], [retrieved on Feb. 28, 2021]. Retrieved from the Internet: [https://www.youtube.com/watch?v=sJ7VC\\_wTjTk](https://www.youtube.com/watch?v=sJ7VC_wTjTk) (Year: 2019).\*  
(Continued)

*Primary Examiner* — Christian P. McLean  
*Assistant Examiner* — Adam C Mager  
(74) *Attorney, Agent, or Firm* — Michael Spenner

(57) **CLAIM**  
The ornamental design for a vehicle front upper grille shield, as shown and described.

**DESCRIPTION**  
FIG. 1 is a front elevational view of a vehicle front upper grille shield, showing our new design;  
FIG. 2 is a left side elevational view thereof;  
FIG. 3 is a right side elevational view thereof;  
FIG. 4 is a top plan view thereof;  
FIG. 5 is a bottom plan view thereof;  
FIG. 6 is a top, front and left side perspective view thereof; and,  
FIG. 7 is a bottom, front and left side perspective view thereof.  
The claimed design is indicated by the relatively dark portions in the figures. The de-emphasized and relatively light portions form no part of the claimed design.

**1 Claim, 7 Drawing Sheets**



(56)

**References Cited**

U.S. PATENT DOCUMENTS

D831,546 S	*	10/2018	Granlund .....	D12/163
D837,707 S	*	1/2019	Morikawa .....	D12/196
D842,174 S	*	3/2019	Leong .....	D12/163
D843,274 S	*	3/2019	Tomasson .....	D12/163
D867,229 S	*	11/2019	Morikawa .....	D12/163
D871,978 S	*	1/2020	Bentzen .....	D12/163
D879,674 S	*	3/2020	Melville-Brown .....	D12/163

OTHER PUBLICATIONS

Meghan Drummond, 2020 Mustang Hybrid, <https://www.cjponyparts.com/resources/2020-mustang-hybrid> Sep. 13, 2019.

Andrew Krok, Ford's 'Mustang-inspired' electric SUV: Everything we know, <https://www.cnet.com/roadshow/news/ford-mustang-inspired-electric-sub-details-rumors> Oct. 2, 2019.

Ford News Clips—Briefing, Ford's EV Strategy takes Shape In Search For Popularity and Profit, Sep. 3, 2019.

\* cited by examiner

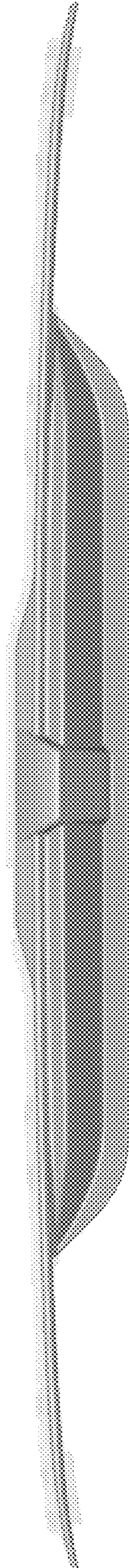


Fig. 1



Fig. 2



Fig. 3

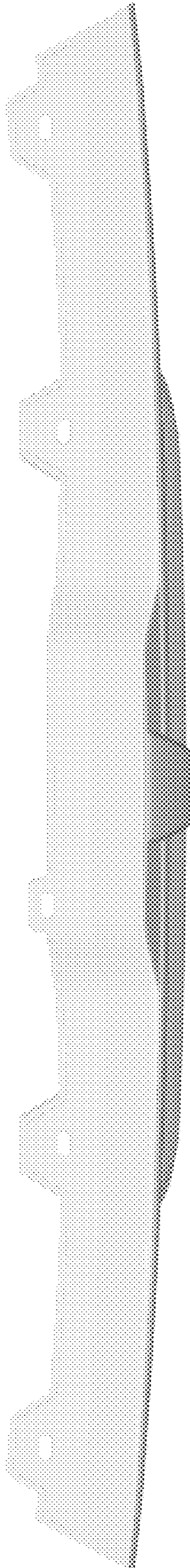


Fig.4

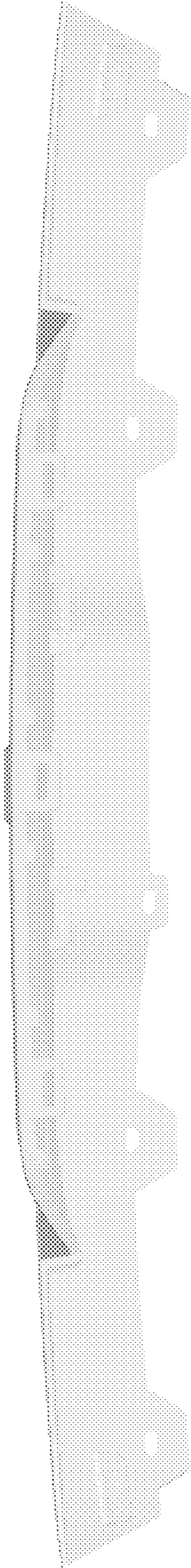


Fig. 5

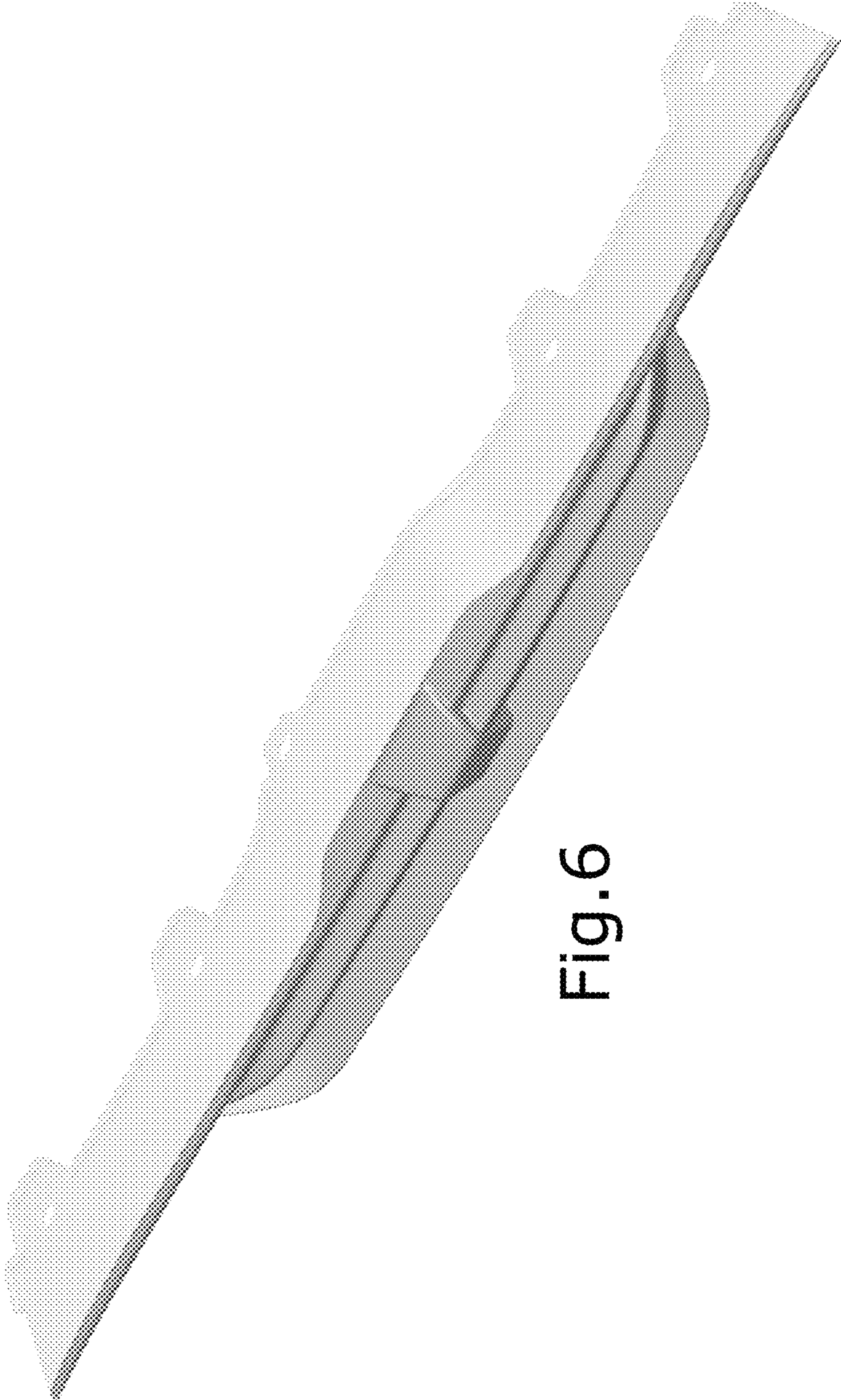


Fig.6



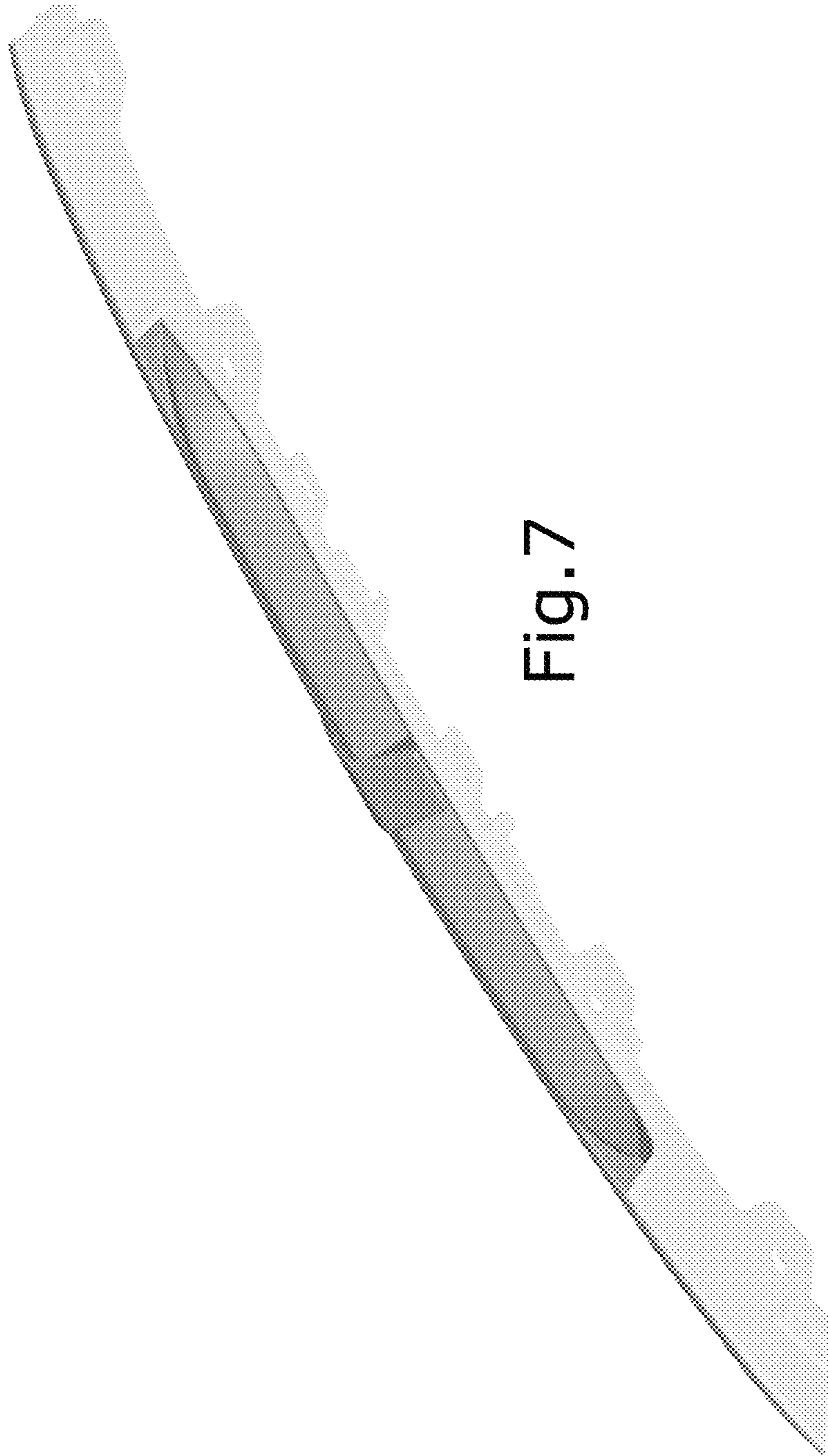


Fig. 7