



US00D923523S

(12) **United States Design Patent** (10) **Patent No.:** **US D923,523 S**
DiCanzio (45) **Date of Patent:** **** Jun. 29, 2021**

(54) **LOWER GRILL FOR AN AUTOMOBILE**

(71) Applicant: **Turn 5, Inc.**, Paoli, PA (US)

(72) Inventor: **Michael DiCanzio**, West Chester, PA (US)

(73) Assignee: **Turn 5, Inc.**, Paoli, PA (US)

(**) Term: **15 Years**

(21) Appl. No.: **29/697,796**

(22) Filed: **Jul. 11, 2019**

(51) **LOC (13) Cl.** **12-16**

(52) **U.S. Cl.**
USPC **D12/163**

(58) **Field of Classification Search**
USPC D12/163, 196, 86, 90-92, 169, 190, 98,
D12/164; 293/102, 113, 115, 117, 120,
293/193.11; 296/180.1, 180.2; 180/68.1,
180/68.6
CPC B60R 19/52; B60K 11/08; B62D 25/08;
B62B 9/16

See application file for complete search history.

(56) **References Cited**

U.S. PATENT DOCUMENTS

D593,460 S *	6/2009	Schiavone	D12/163
D664,481 S *	7/2012	Platto	D12/163
D780,646 S *	3/2017	Wolff	D12/163
D788,656 S *	6/2017	Svensson	D12/163
D789,840 S *	6/2017	Curie	D12/163
D791,653 S *	7/2017	Svensson	D12/163
D824,807 S *	8/2018	Zhang	D12/91
D827,508 S *	9/2018	Whitla	D12/163
D827,509 S *	9/2018	Behmer	D12/163
D827,513 S *	9/2018	Gueler	D12/163

D837,700 S *	1/2019	Gueler	D12/163
D844,500 S *	4/2019	Metros	D12/163
D847,041 S *	4/2019	Blanski	D12/163
D848,908 S *	5/2019	Krieg	D12/163
D851,550 S *	6/2019	Mack	D12/163
D851,551 S *	6/2019	Mack	D12/163
D857,567 S *	8/2019	Blanski	D12/163
D863,126 S *	10/2019	Whitla	D12/163
D864,050 S *	10/2019	Luke	D12/163
D866,413 S *	11/2019	Luke	D12/163
D868,640 S *	12/2019	DiCanzio	D12/163
D868,641 S *	12/2019	DiCanzio	D12/163
D868,642 S *	12/2019	DiCanzio	D12/163
D868,644 S *	12/2019	Lu	D12/163

* cited by examiner

Primary Examiner — Melody N Brown

(74) *Attorney, Agent, or Firm* — Schott, P.C.

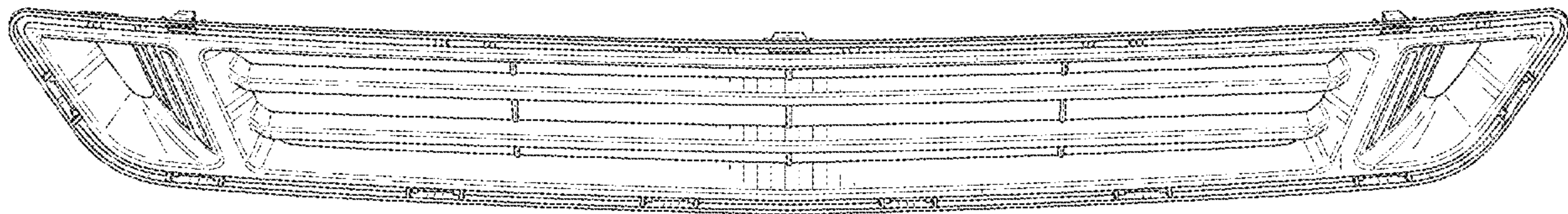
(57) **CLAIM**

The ornamental design for a lower grill for an automobile, as shown and described.

DESCRIPTION

FIG. 1 is a front elevation view of a lower grill for an automobile showing my new design;
FIG. 2 is a rear view thereof;
FIG. 3 is a top view thereof;
FIG. 4 is a bottom view thereof;
FIG. 5 is a left side view thereof;
FIG. 6 is a right side view thereof;
FIG. 7 is a front and left side perspective view thereof;
FIG. 8 is another perspective view thereof; and,
FIG. 9 is front and right side perspective view thereof.
Any broken lines are provided for the purpose of illustrating environmental structure(s) and form no part of the claimed design.

1 Claim, 6 Drawing Sheets



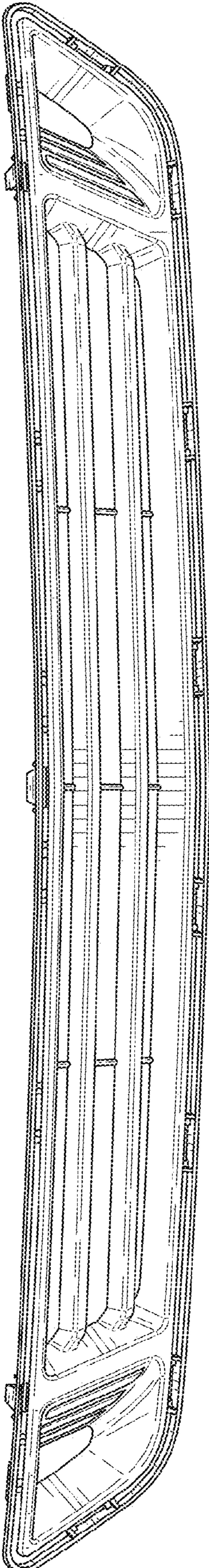


FIG. 1

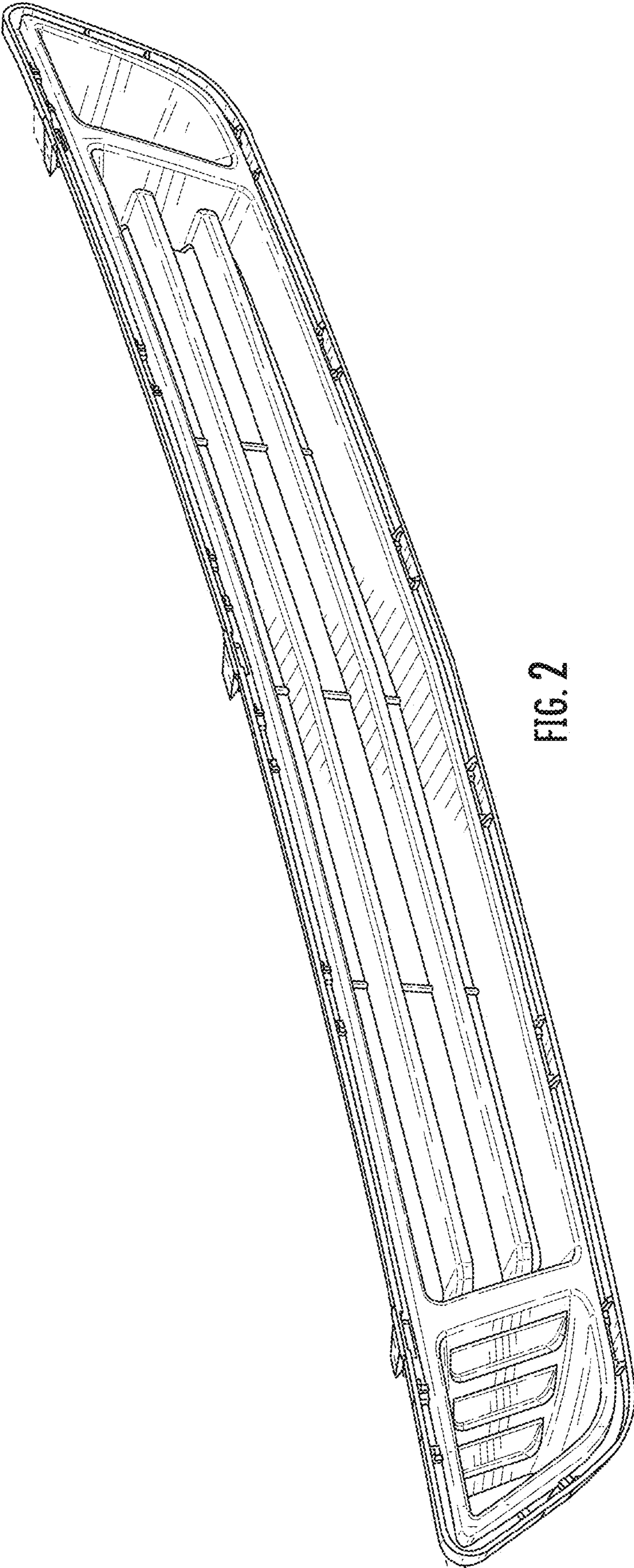


FIG. 2

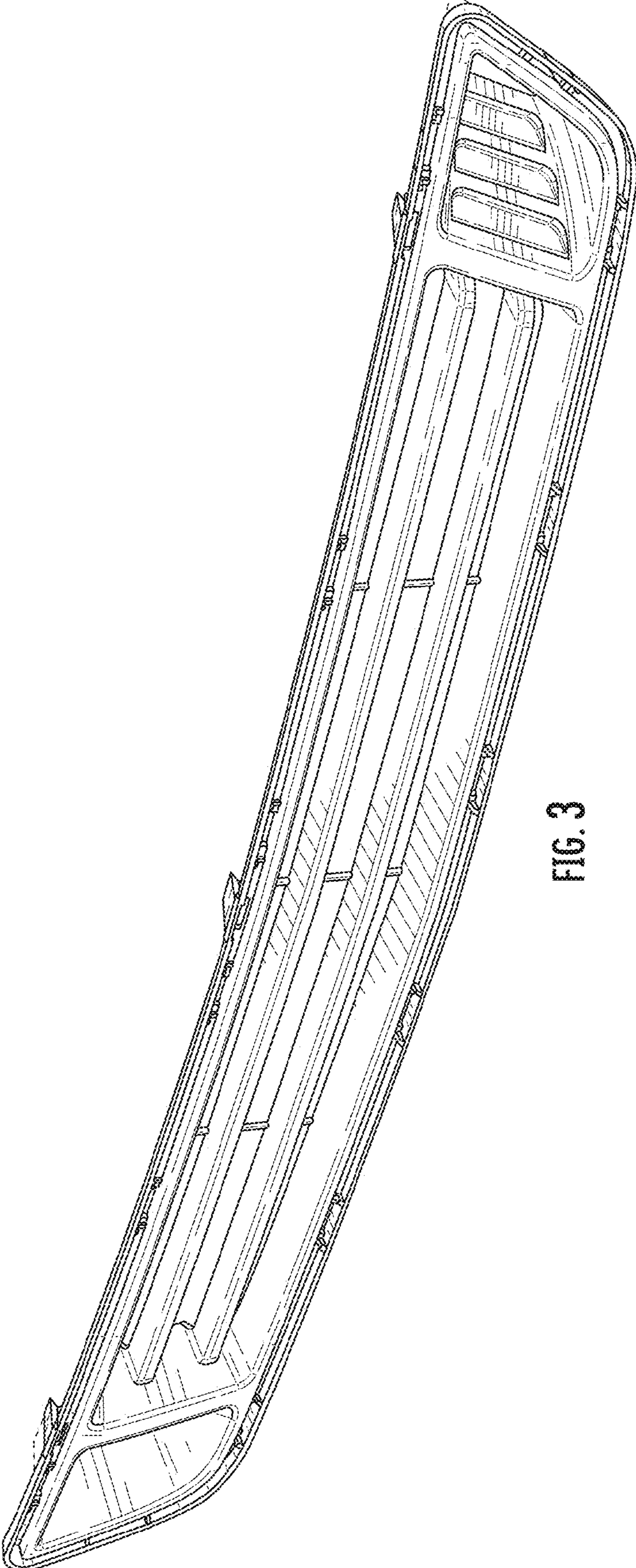


FIG. 3

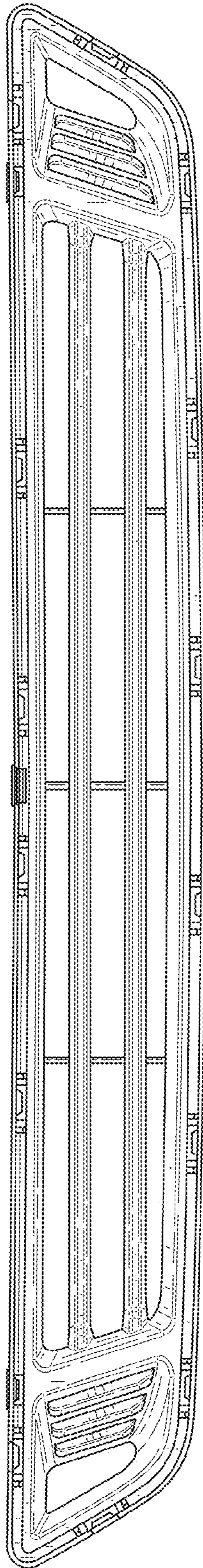


FIG. 4

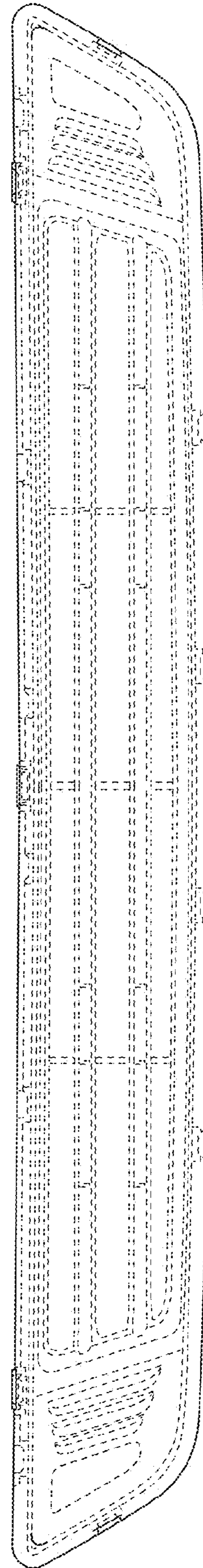


FIG. 5

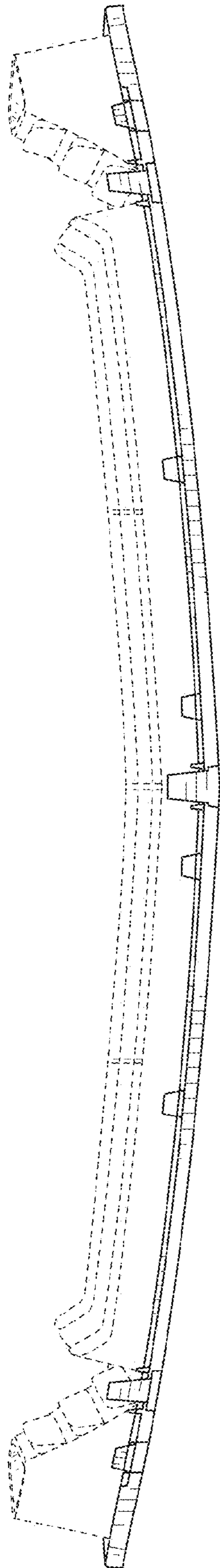


FIG. 6

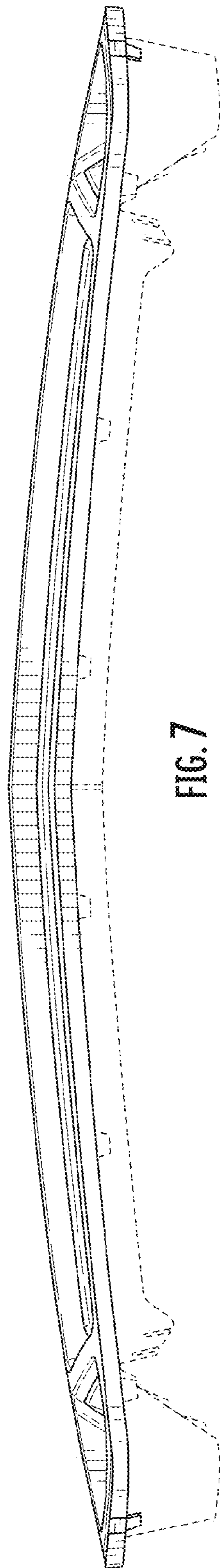


FIG. 7

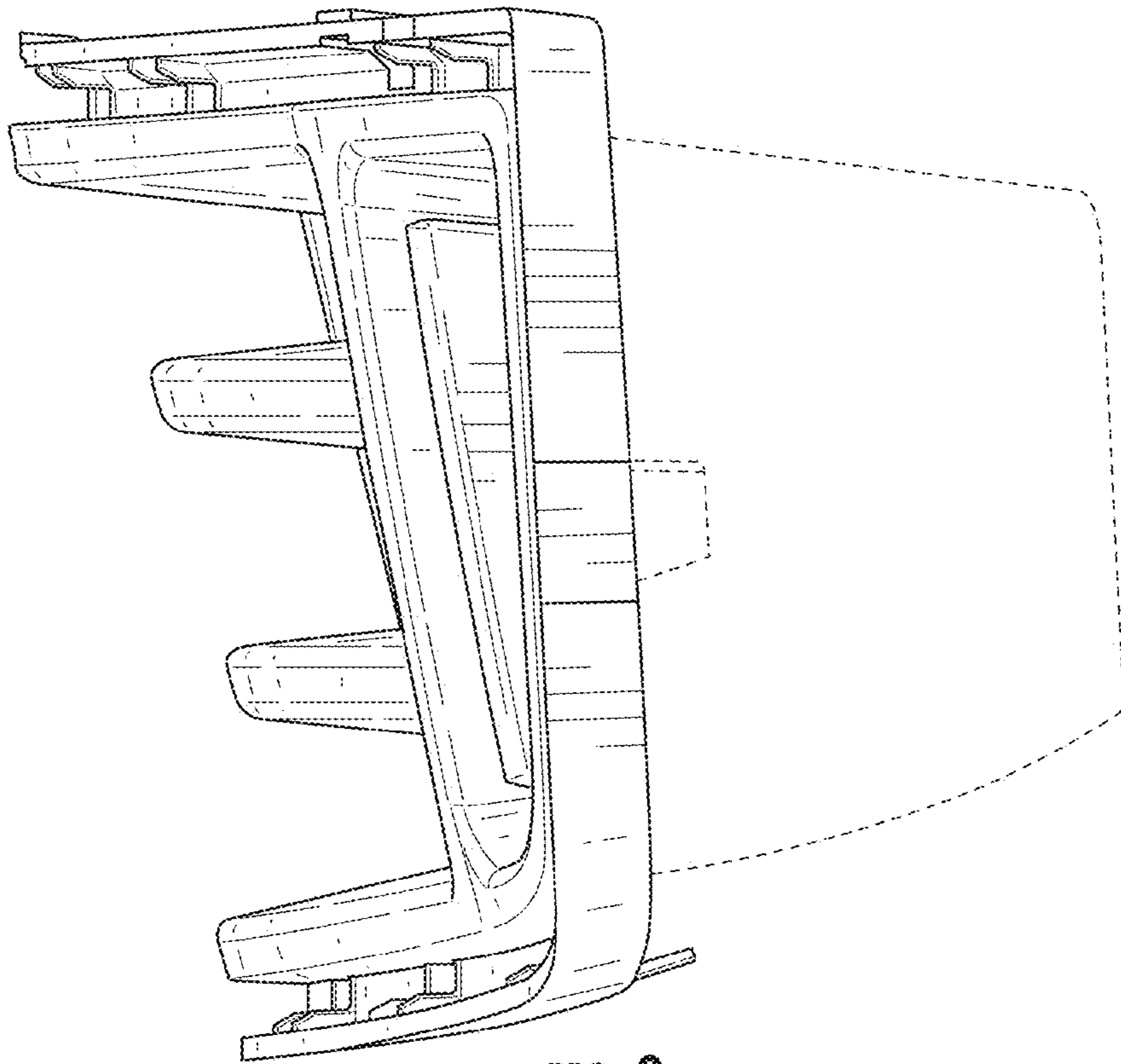


FIG. 8

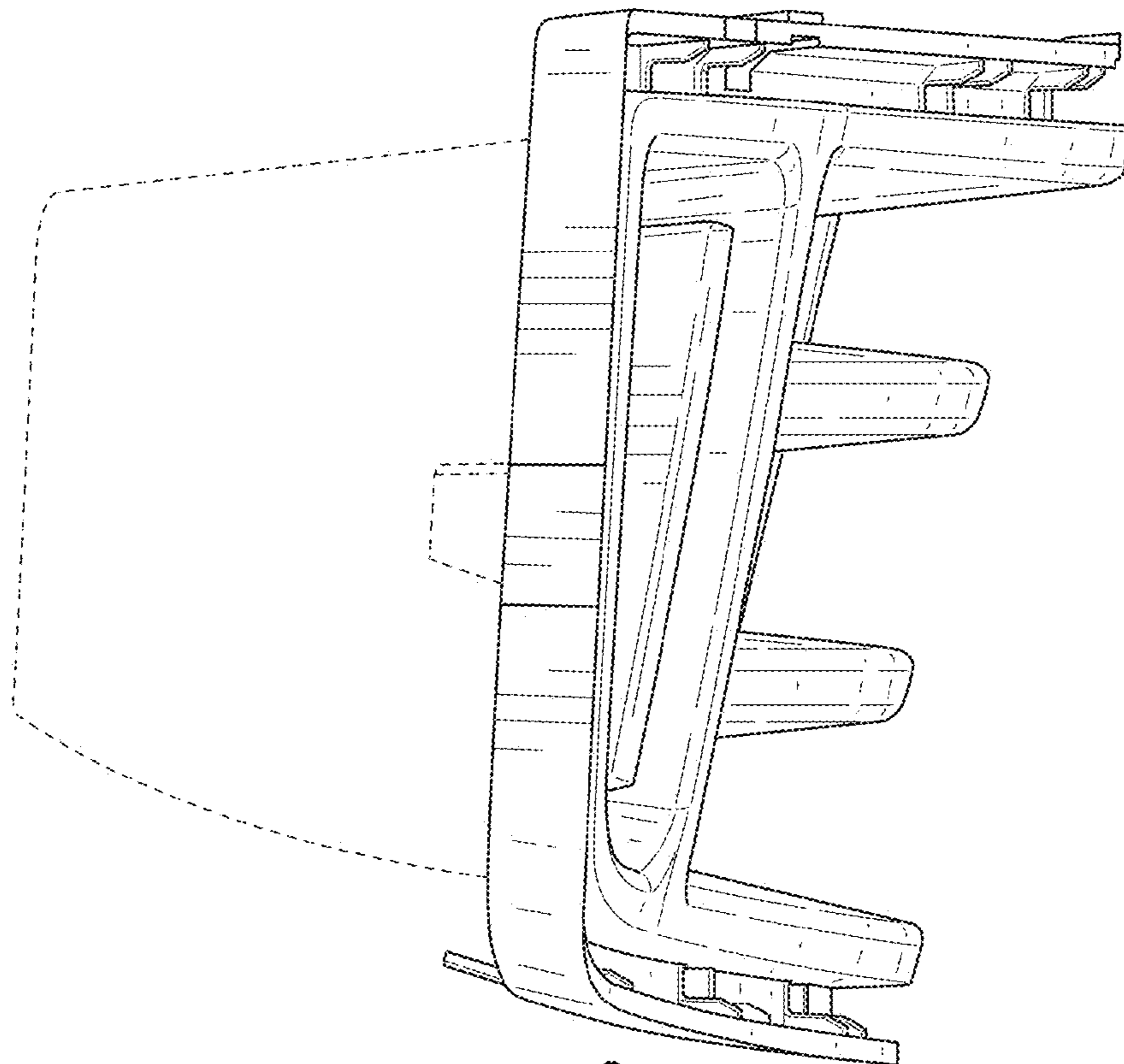


FIG. 9