



US00D923521S

(12) **United States Design Patent**  
**Works et al.**

(10) **Patent No.:** **US D923,521 S**

(45) **Date of Patent:** **\*\* Jun. 29, 2021**

- (54) **DROP BAR FOR A TRAILER HITCH**
- (71) Applicant: **B & W Custom Truck Beds, Inc.**,  
Humboldt, KS (US)
- (72) Inventors: **Joseph W. Works**, Humboldt, KS (US);  
**Travis M. McCall**, Humboldt, KS  
(US); **Michael D. Mueller**, Humboldt,  
MO (US)
- (73) Assignee: **B & W Custom Truck Beds, Inc.**,  
Humboldt, KS (US)
- (\*\*) Term: **15 Years**
- (21) Appl. No.: **29/723,885**
- (22) Filed: **Feb. 11, 2020**
- (51) **LOC (13) Cl.** ..... **12-16**
- (52) **U.S. Cl.**  
USPC ..... **D12/162**
- (58) **Field of Classification Search**  
CPC . B60D 1/60; B60D 1/065; B60D 1/00; B60D  
1/06; B60D 1/36  
See application file for complete search history.

D887,910	S	*	6/2020	Noel	.....	D12/162
D890,636	S	*	7/2020	Sanborn	.....	D12/162
D894,800	S	*	9/2020	Noel	.....	D12/162
D897,245	S	*	9/2020	Borkholder	.....	D12/162
D897,246	S	*	9/2020	Giddens	.....	D12/162
D898,628	S	*	10/2020	Sagen	.....	D12/162
D907,537	S	*	1/2021	Goodner	.....	D12/162
D909,922	S	*	2/2021	Siegel	.....	D12/162

**OTHER PUBLICATIONS**

Cequent Hitch Drop Bar photos; On sale prior to Sep. 18, 2018.

(Continued)

*Primary Examiner* — Katrina A Betton

(74) *Attorney, Agent, or Firm* — Erickson Kernell IP,  
LLC; Kent R. Erickson

(57) **CLAIM**

The ornamental design for a drop bar for a trailer hitch, as shown and described.

**DESCRIPTION**

FIG. 1 is a front perspective view of a drop bar for a trailer hitch showing our new design in solid lines and showing in phantom lines an example of a hitch ball assembly securable to the drop bar to show the environment in which the design is associated;

FIG. 2 is a perspective view thereof, similar to FIG. 1;

FIG. 3 is a rear perspective view thereof;

FIG. 4 is a left side, elevational view thereof, the right side being a mirror image thereof;

FIG. 5 is a rear, elevational view thereof;

FIG. 6 is a front, elevational view thereof;

FIG. 7 is a top, plan view thereof; and,

FIG. 8 is a bottom, plan view thereof.

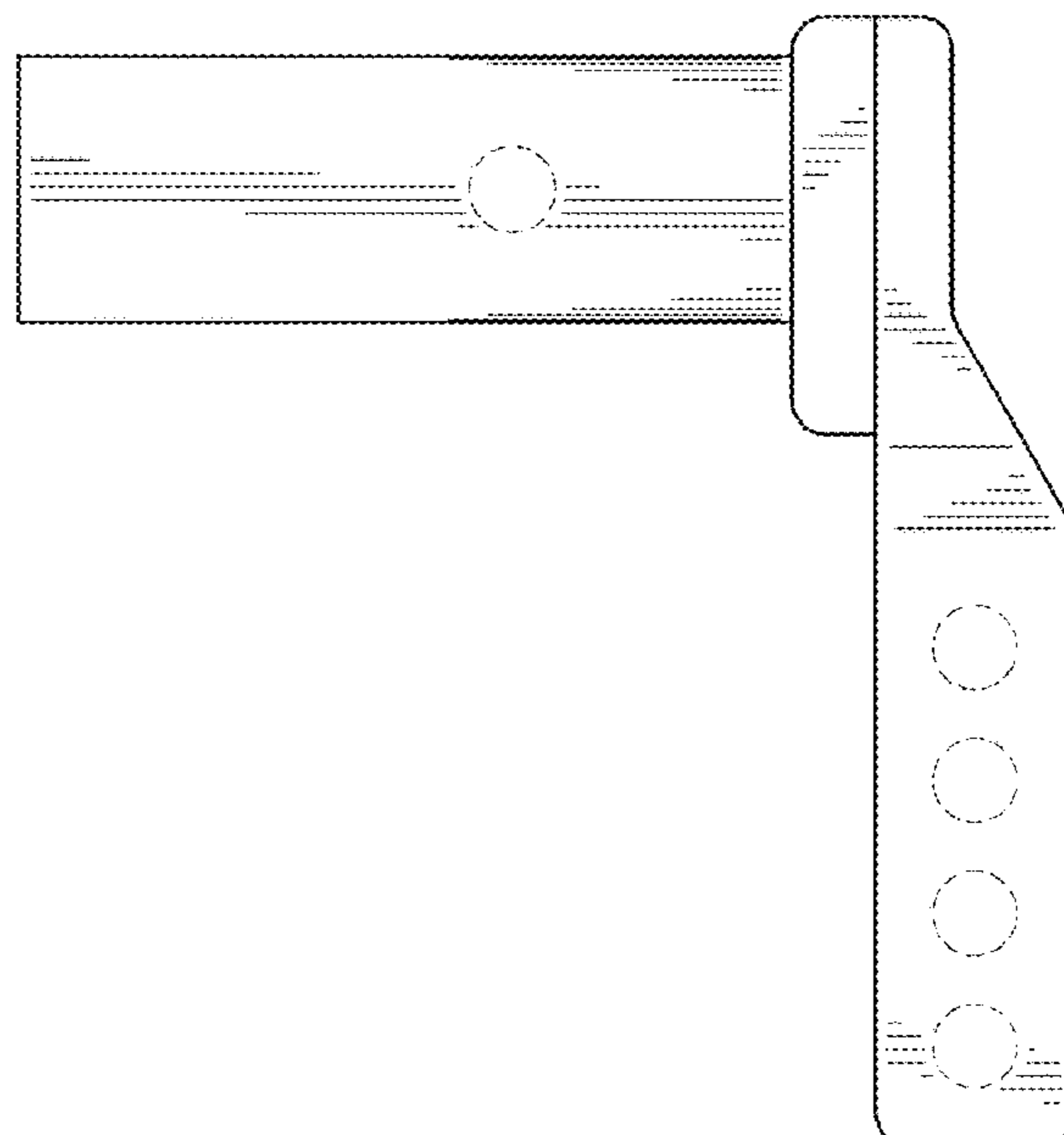
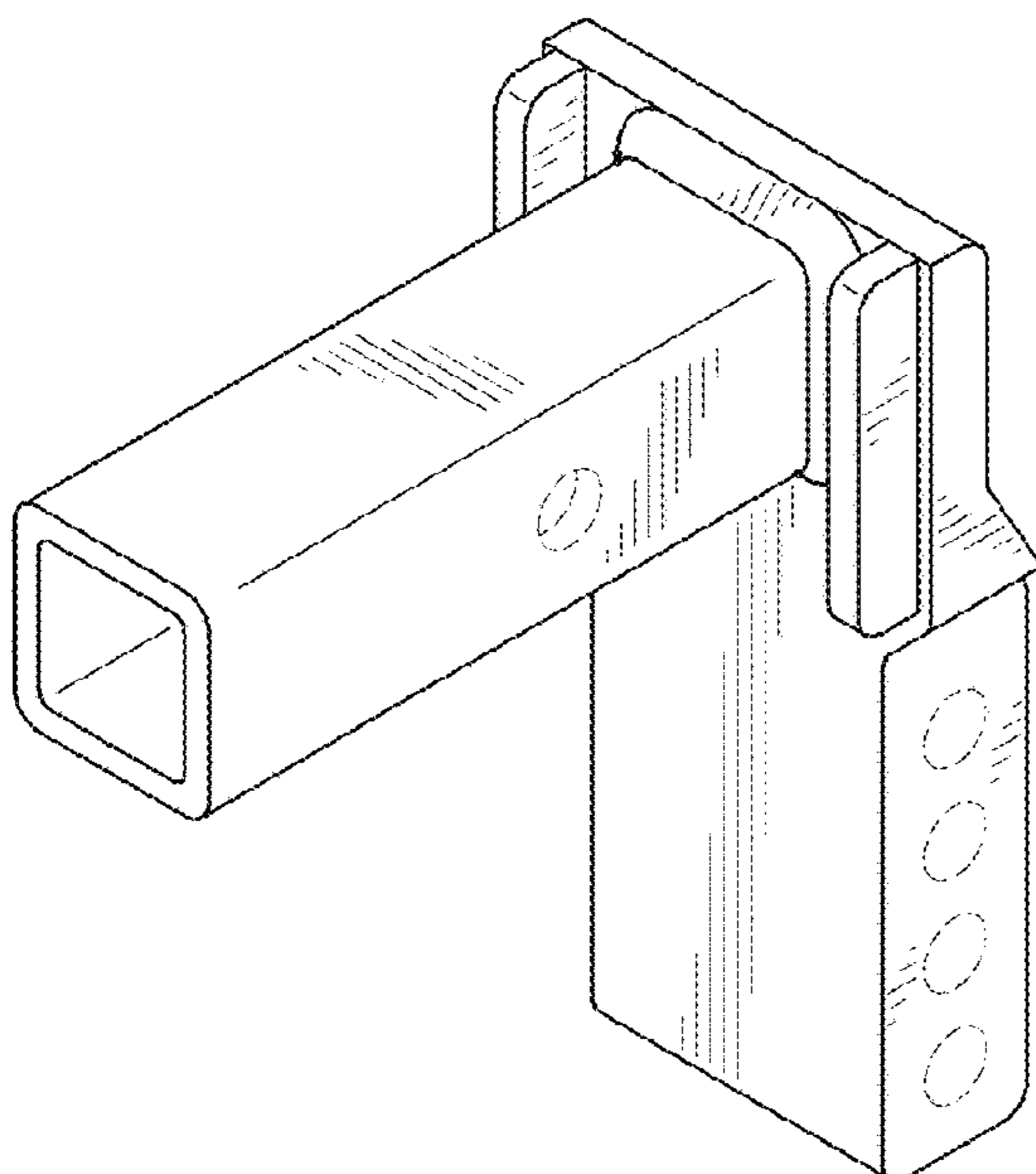
The broken lines shown in the drawings illustrate portions of the drop bar that form no part of the claim.

**1 Claim, 5 Drawing Sheets**

(56) **References Cited**

**U.S. PATENT DOCUMENTS**

6,460,870	B2	10/2002	Moss		
6,712,381	B1	3/2004	Moss		
6,789,815	B2	9/2004	Moss		
6,974,148	B2	12/2005	Moss et al.		
7,004,492	B2	2/2006	Moss et al.		
7,029,022	B2	4/2006	Moss		
7,125,036	B2	10/2006	Moss et al.		
7,204,505	B2	4/2007	Moss		
7,819,416	B2	10/2010	Moss		
D867,228	S	*	11/2019	DePietro	..... D12/162
D873,724	S	*	1/2020	Borkholder	..... D12/162
D879,670	S	*	3/2020	Borkholder	..... D12/162



(56)

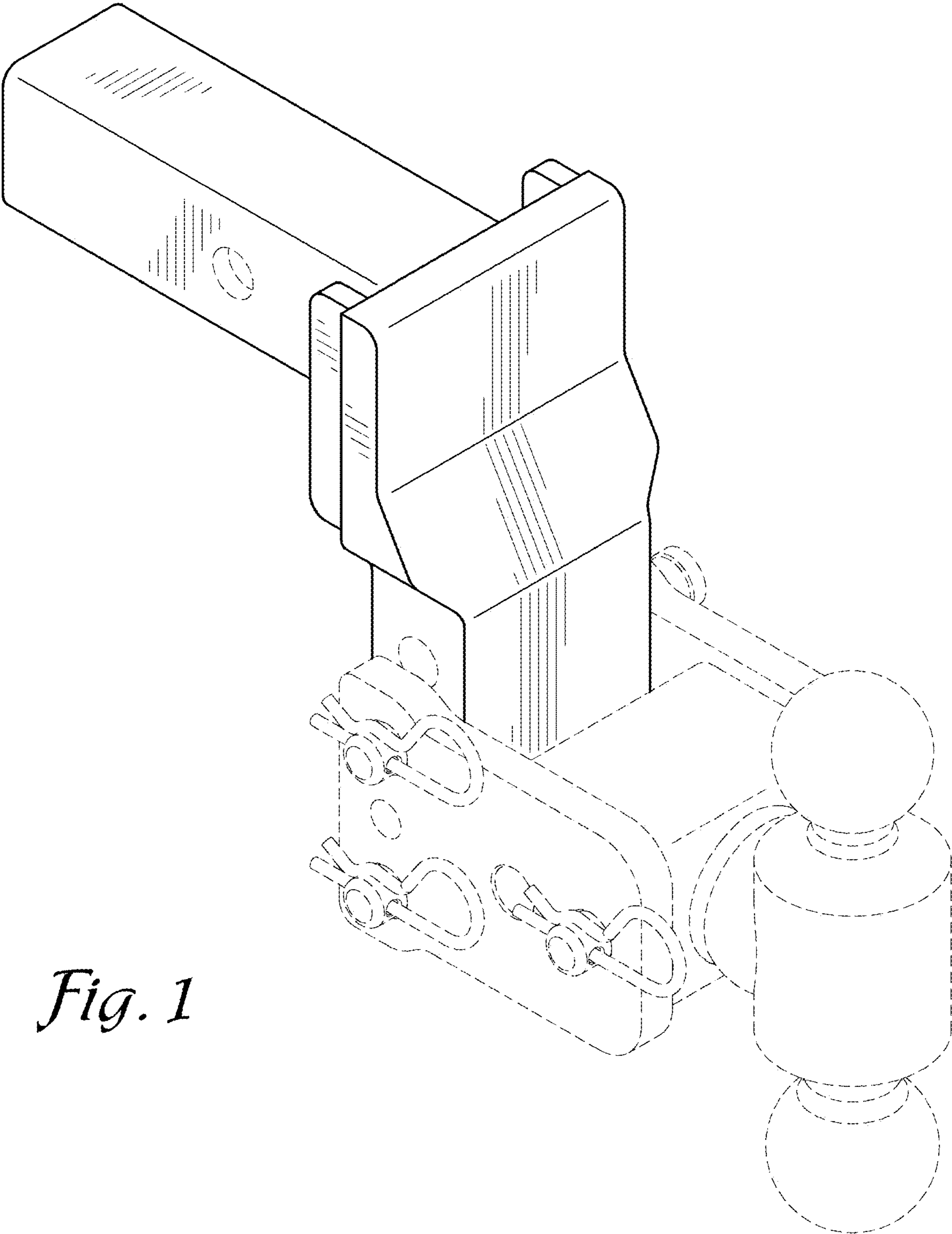
**References Cited**

OTHER PUBLICATIONS

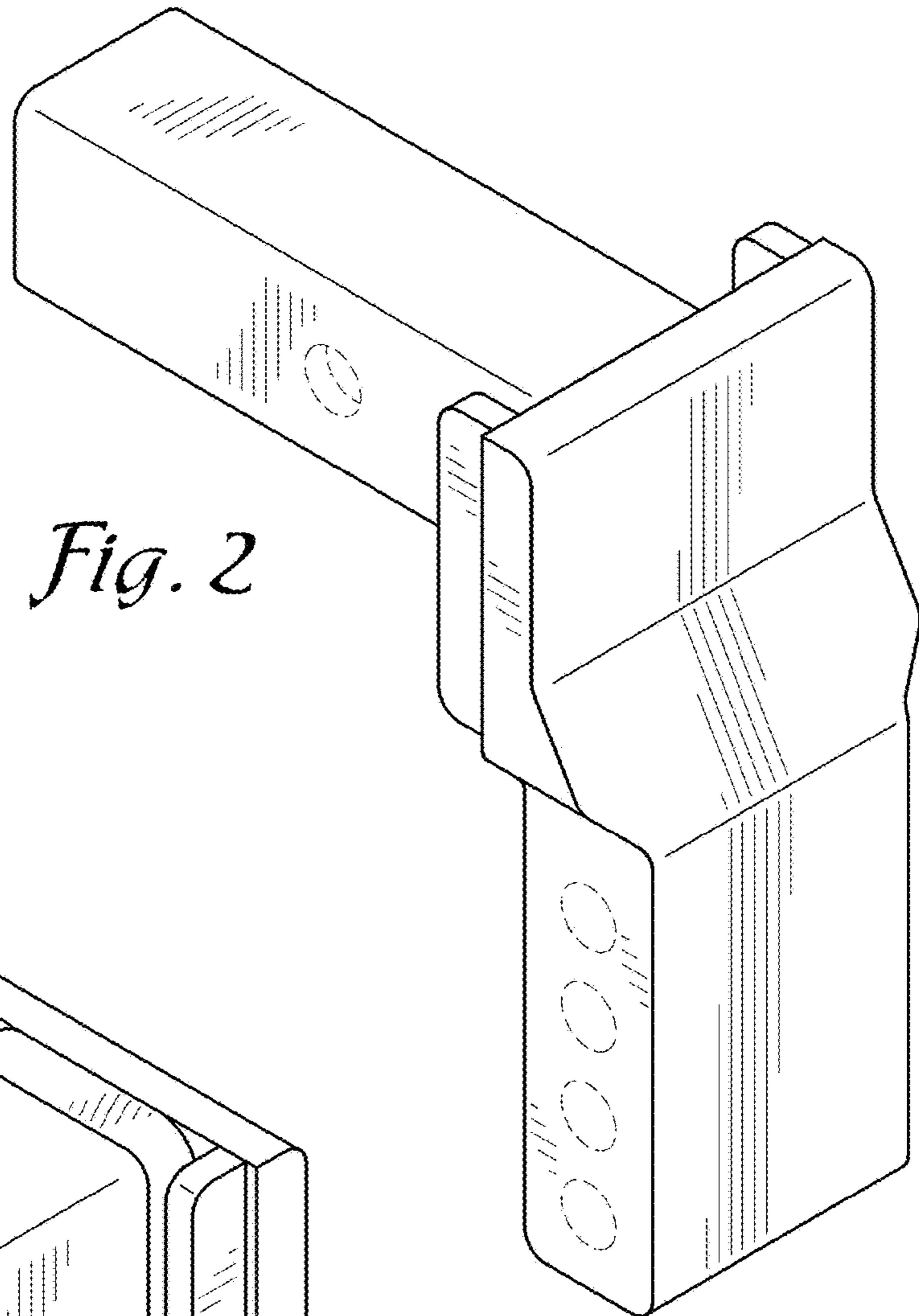
Husky Liners Drop Bar photos; On sale prior to Sep. 18, 2018.  
Fastway Trailer Products Drop Bar photos; On sale prior to Sep. 18, 2018.  
B & W Trailer Hitches Drop Bar photos; On sale prior to Sep. 18, 2018.  
Cequent Hitch Drop Bar photos; On sale prior to filing date of present application.  
Husky Liners Drop Bar photos; On sale prior to filing date of present application.  
Fastway Trailer Products Drop Bar photos; On sale prior to filing date of present application.  
B & W Trailer Hitches Drop Bar photos; On sale prior to filing date of present application.  
Cequent Hitch Drop Bar; On sale in the United States of America prior to Sep. 18, 2018 (See Exhibit A1 and A2). Sold by Cequent Performance Products, Inc.

Husky Liners Drop Bar; On sale in the United States of America prior to Sep. 18, 2018 (See Exhibit B1 and B2). Sold by Husky Liners, Inc. Currently offered for sale at [https://www.ebay.com/b/Husky-Liners-Car-Truck-Towing-Hauling/33653/bn\\_21008096](https://www.ebay.com/b/Husky-Liners-Car-Truck-Towing-Hauling/33653/bn_21008096).  
Fastway Trailer Products Drop Bar; On sale in the United States of America prior to Sep. 18, 2018 (See Exhibit C1 and C2). Sold by Progress Mfg. Inc. Currently offered for sale on etrailer.com at [https://www.etrailer.com/Trailer-Hitch-Ball-Mount/B-and-W/BWTS10048B.html?feed=npn&gclid=CjwKCAiAp4KCBhB6EiwAxRxbp1JQAJVtrb81UekAFeyovn0mVhKgCJVII0jOyYVaKJ5V9kKN7sWluxoCep8QAvD\\_BwE](https://www.etrailer.com/Trailer-Hitch-Ball-Mount/B-and-W/BWTS10048B.html?feed=npn&gclid=CjwKCAiAp4KCBhB6EiwAxRxbp1JQAJVtrb81UekAFeyovn0mVhKgCJVII0jOyYVaKJ5V9kKN7sWluxoCep8QAvD_BwE).  
B & W Trailer Hitches Drop Bar; On sale in the United States of America prior to Sep. 18, 2018 (See Exhibit D1 and D2). Sold by B&W Custom Truck Beds, Inc. Currently offered for sale at [https://www.etrailer.com/Trailer-Hitch-Ball-Mount/B-and-W/BWTS10048B.html?feed=npn&gclid=CjwKCAiAp4KCBhB6EiwAxRxbp1JQAJVtrb81UekAFeyovn0mVhKgCJVII0jOyYVaKJ5V9kKN7sWluxoCep8QAvD\\_BwE](https://www.etrailer.com/Trailer-Hitch-Ball-Mount/B-and-W/BWTS10048B.html?feed=npn&gclid=CjwKCAiAp4KCBhB6EiwAxRxbp1JQAJVtrb81UekAFeyovn0mVhKgCJVII0jOyYVaKJ5V9kKN7sWluxoCep8QAvD_BwE).

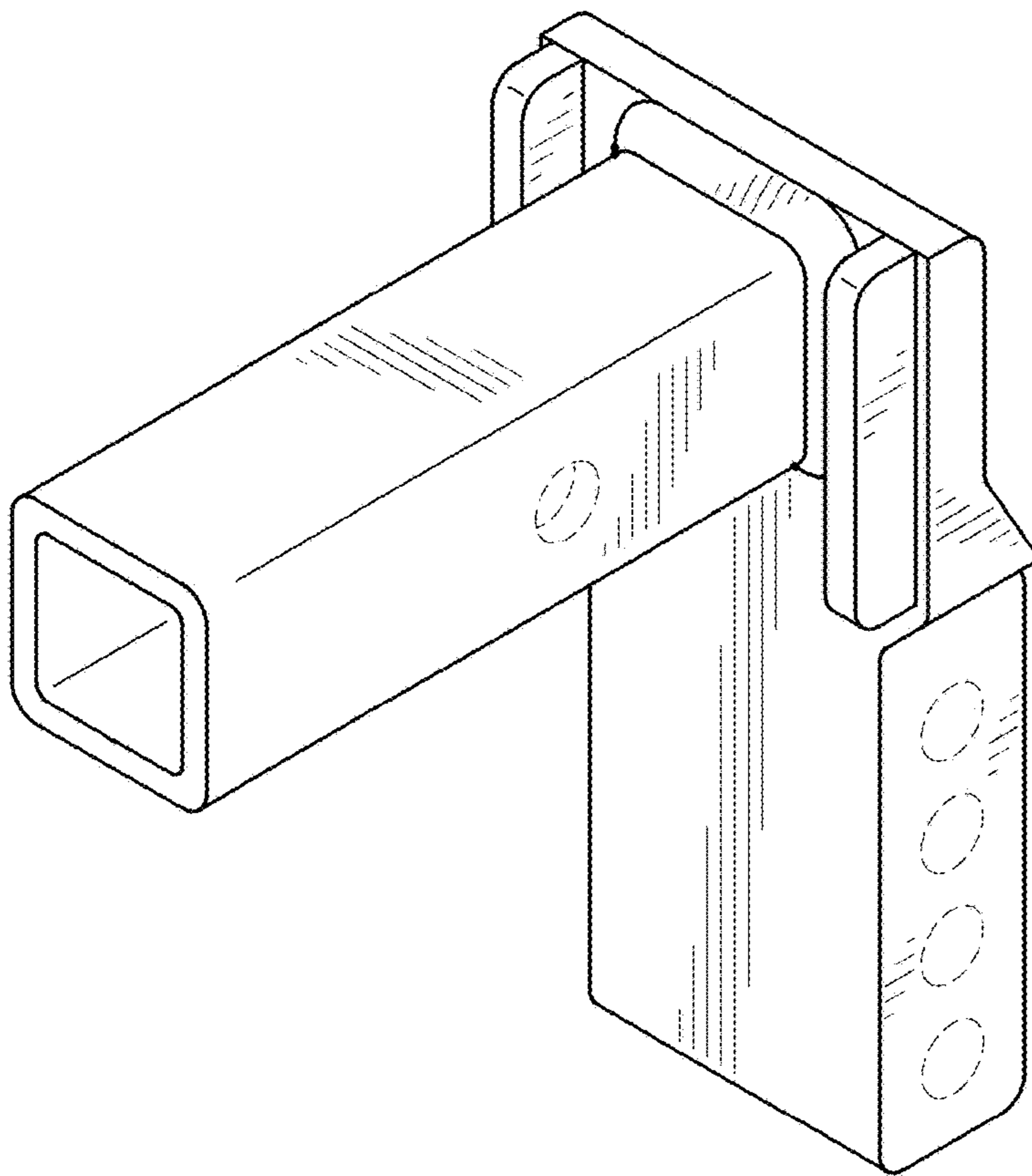
\* cited by examiner



*Fig. 1*

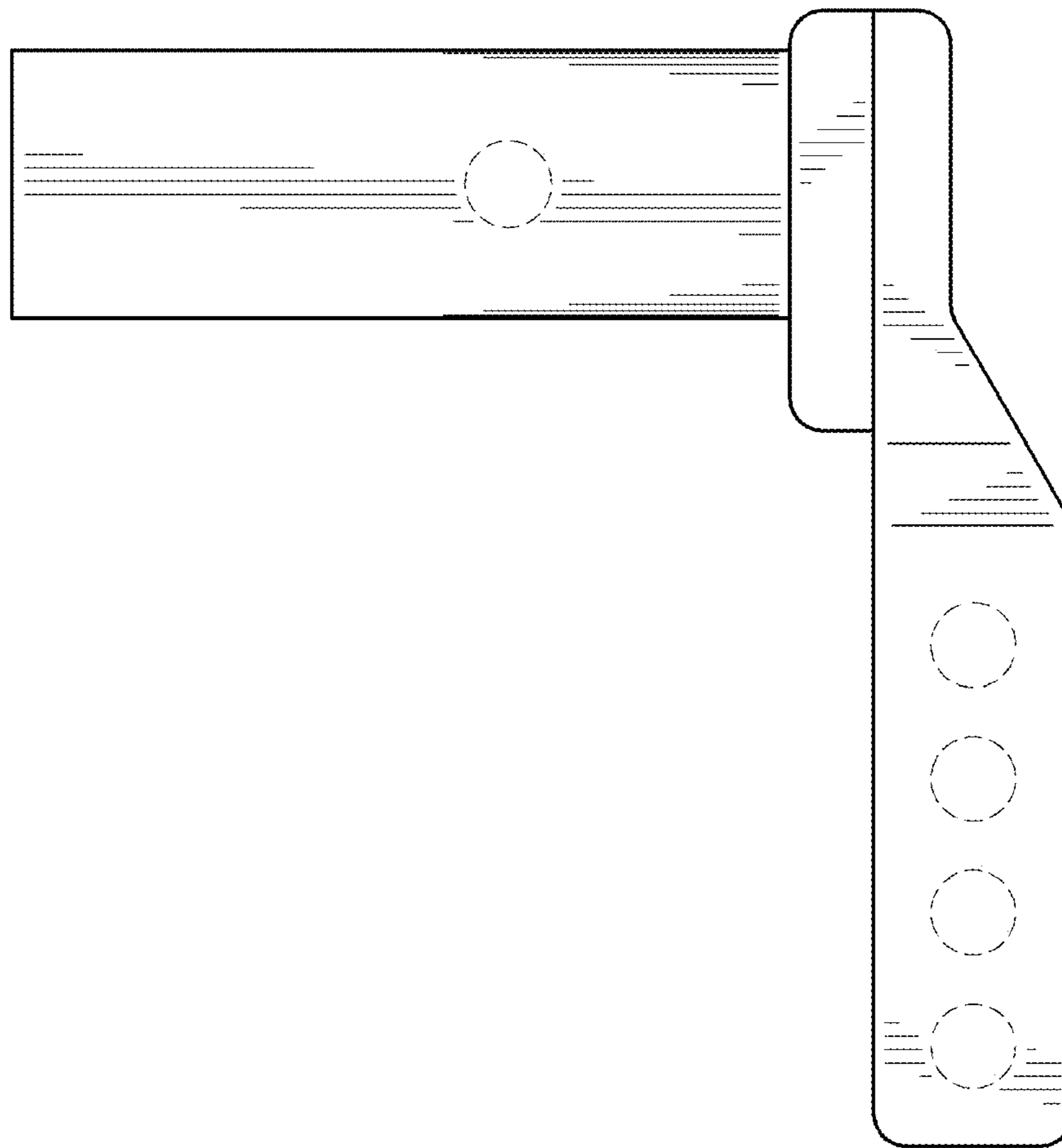


*Fig. 2*

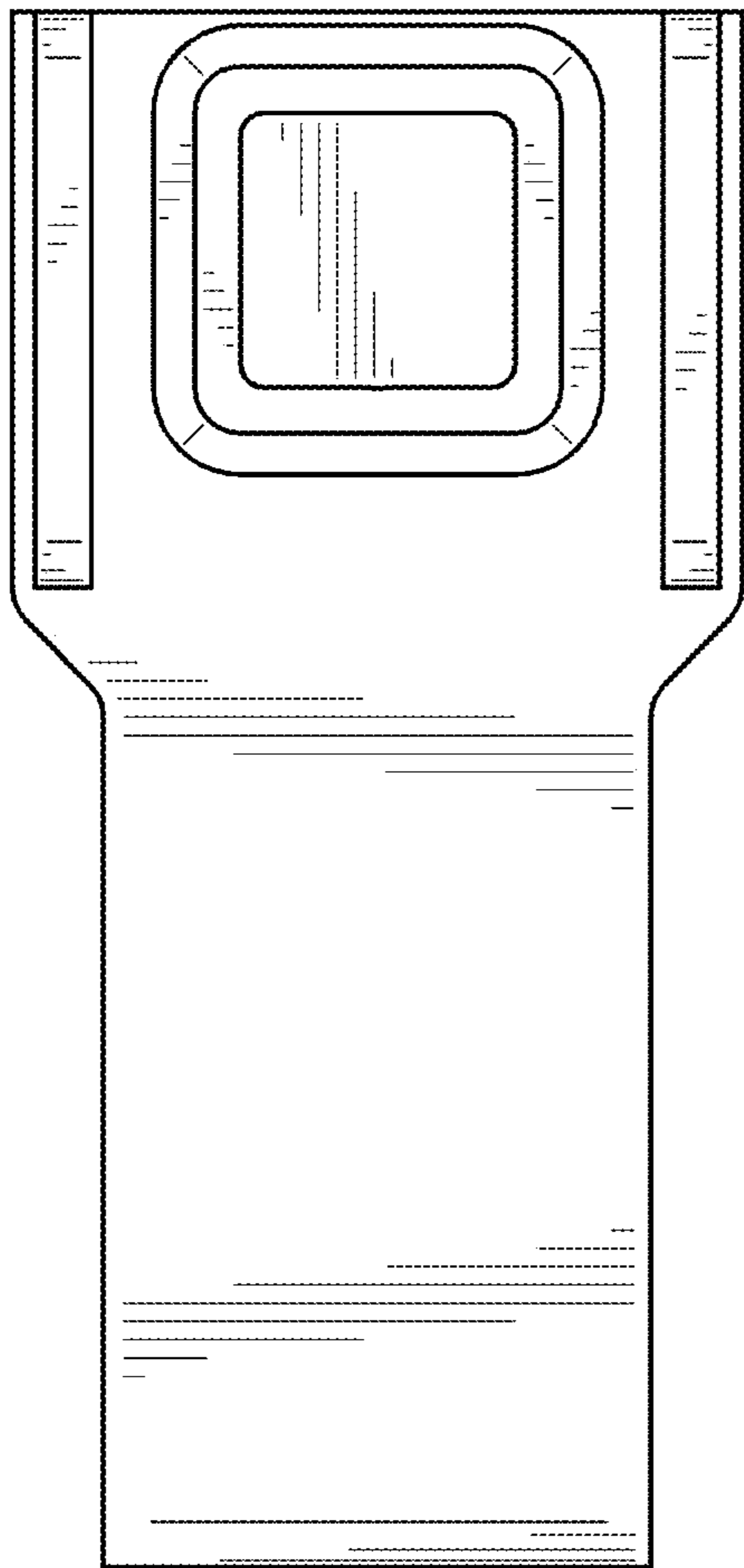


*Fig. 3*

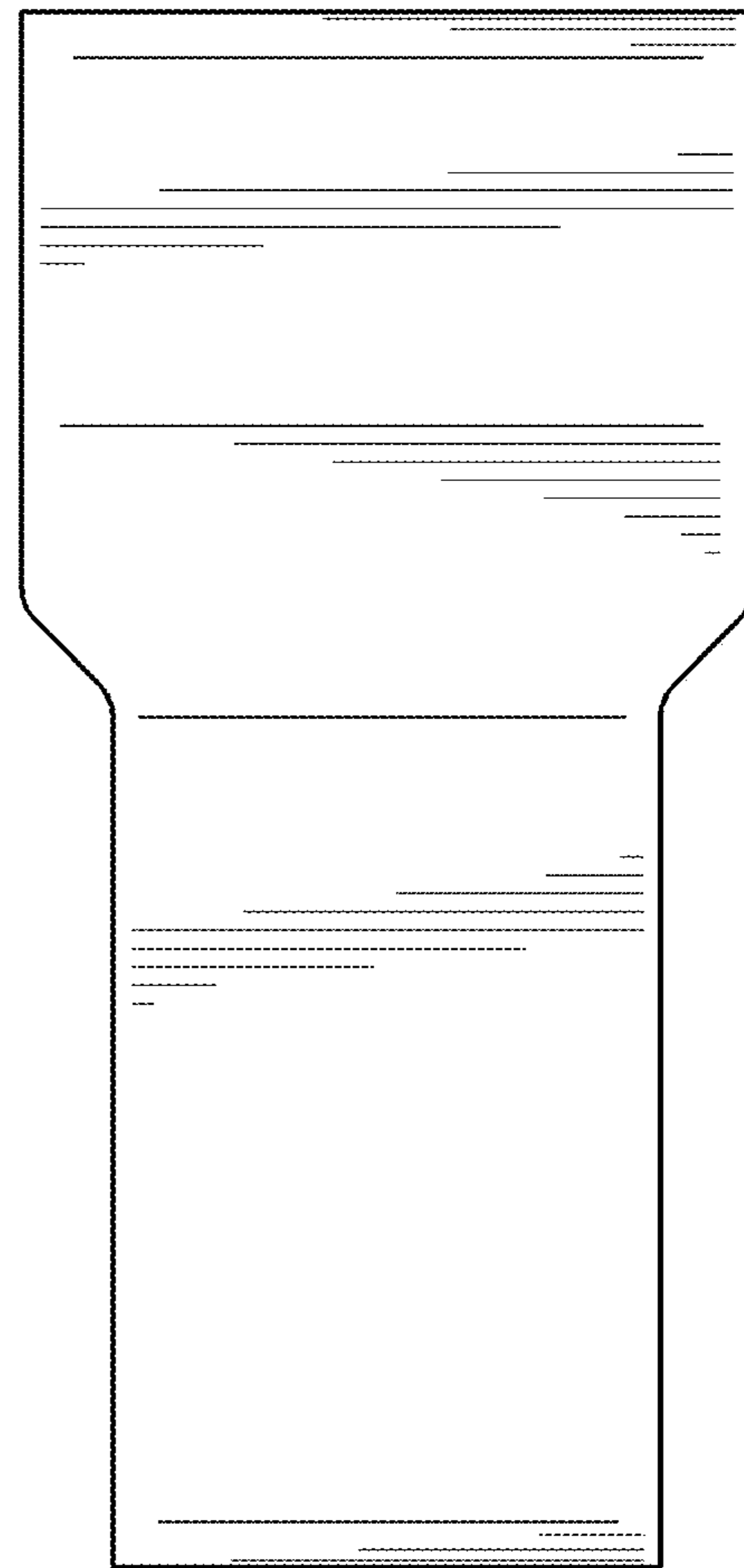




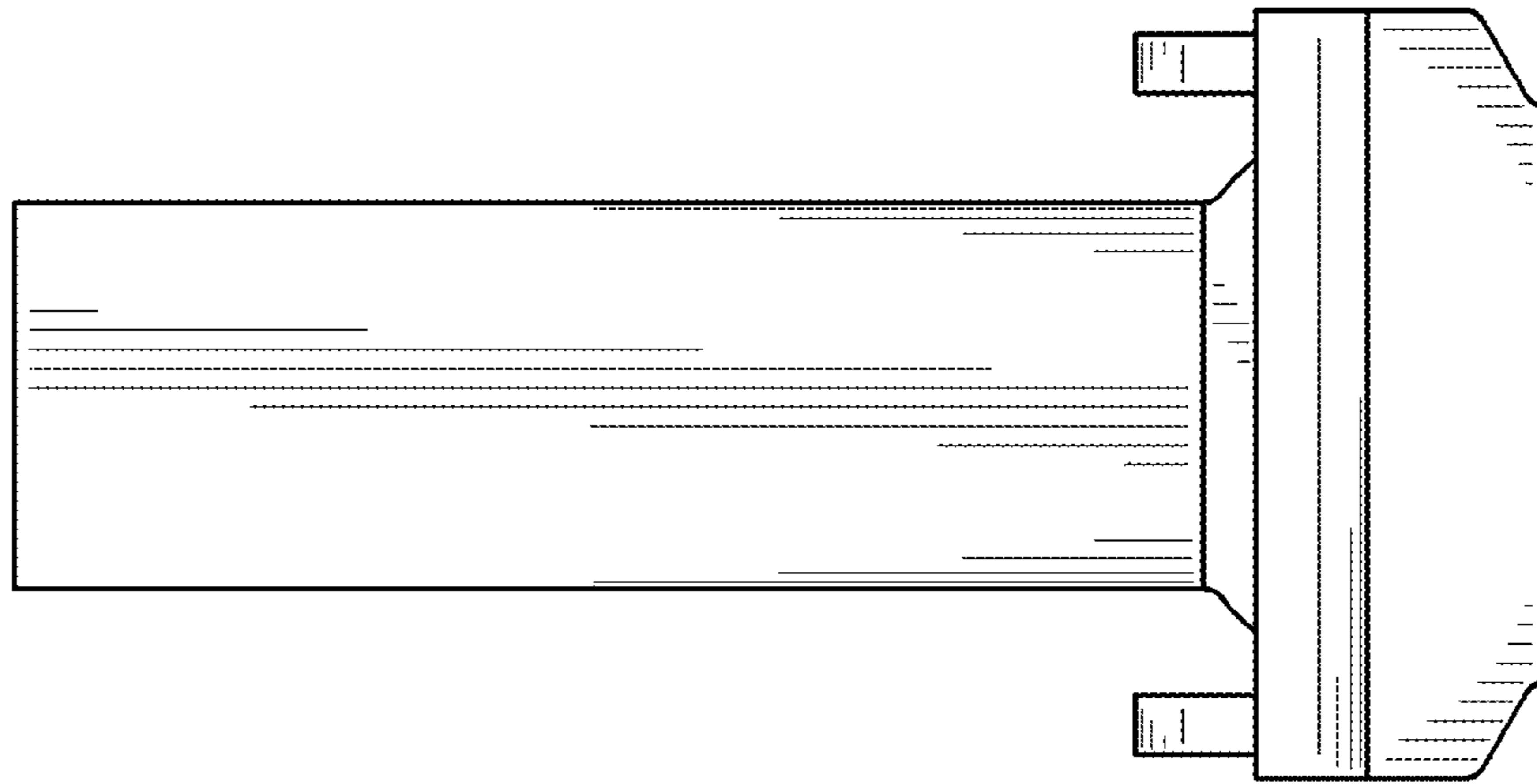
*Fig. 4*



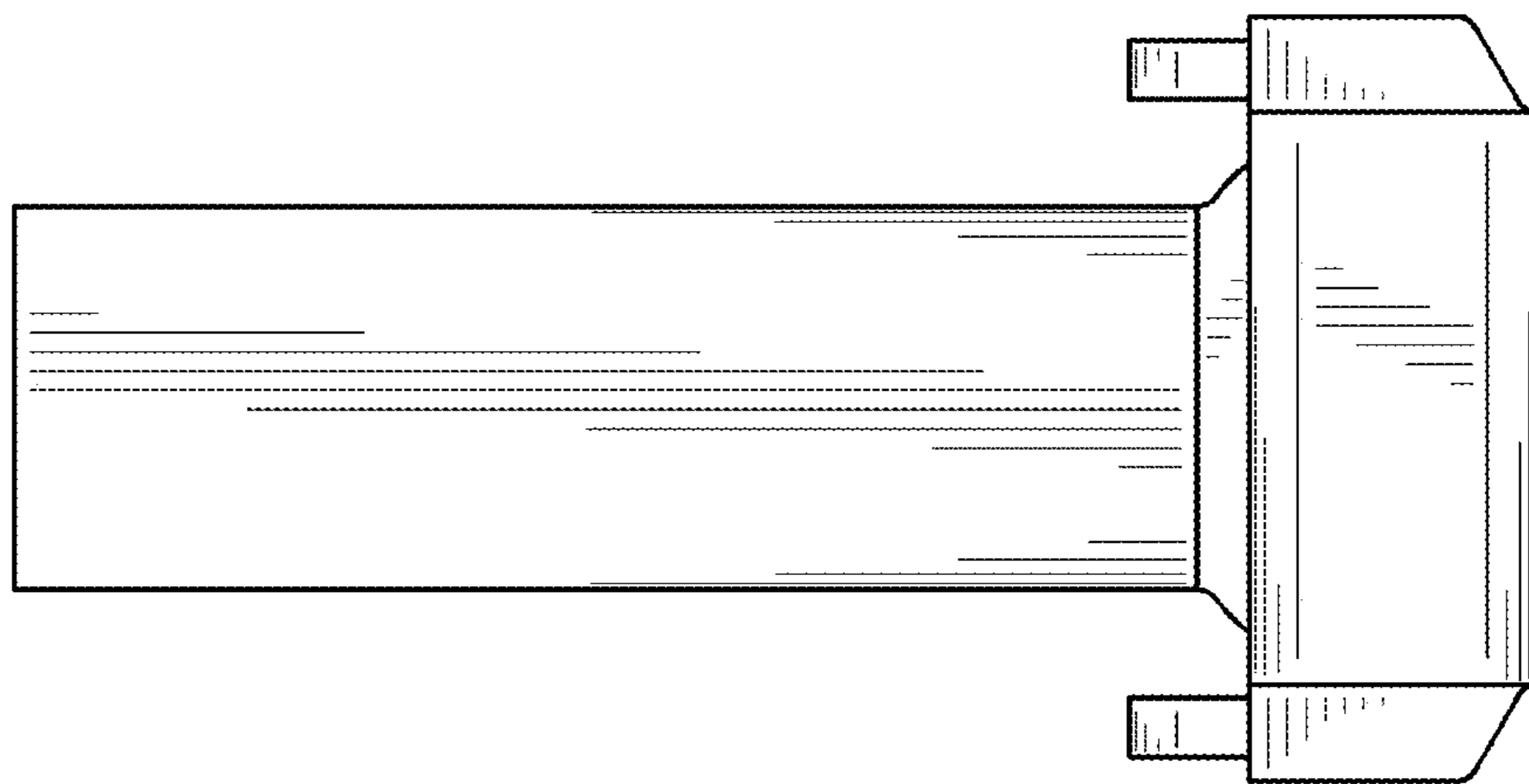
*Fig. 5*



*Fig. 6*



*Fig. 7*



*Fig. 8*