



US00D923519S

(12) **United States Design Patent** (10) **Patent No.:** **US D923,519 S**  
**Hafner et al.** (45) **Date of Patent:** **\*\* Jun. 29, 2021**

(54) **BICYCLE FRAME**  
(71) Applicant: **Specialized Bicycle Components, Inc.**,  
Morgan Hill, CA (US)  
(72) Inventors: **Timo Hafner**, Freiburg im Breisgau  
(DE); **Yann Duez**, Morgan Hill, CA  
(US)  
(73) Assignee: **SPECIALIZED BICYCLE**  
**COMPONENTS, INC.**, Morgan Hill,  
CA (US)

D774,970 S \* 12/2016 D’Aluisio ..... D12/111  
D797,610 S \* 9/2017 Jankura ..... D12/111  
D802,487 S \* 11/2017 Petrov ..... D12/111  
D843,893 S \* 3/2019 Reiter ..... D12/111  
D858,359 S \* 9/2019 Lentz ..... D12/111  
D865,574 S \* 11/2019 Russell ..... D12/111  
D885,986 S \* 6/2020 Chan ..... D12/111  
10,737,740 B2 \* 8/2020 D’Aluisio ..... B62K 21/04  
D904,234 S \* 12/2020 von Schoning ..... D12/111  
D906,890 S \* 1/2021 Duez ..... D12/111  
D906,893 S \* 1/2021 Lin ..... D12/111

(Continued)

(\*\*) Term: **15 Years**

(21) Appl. No.: **29/715,771**

(22) Filed: **Dec. 4, 2019**

(51) **LOC (13) Cl.** ..... **12-11**

(52) **U.S. Cl.**  
USPC ..... **D12/111**

(58) **Field of Classification Search**  
USPC ..... D12/111; D21/412, 414, 419, 423–428,  
D21/431–435  
CPC ... B62K 3/00; B62K 3/02; B62K 3/06; B62K  
9/00; B62K 19/14  
See application file for complete search history.

(56) **References Cited**

**U.S. PATENT DOCUMENTS**

D419,492 S \* 1/2000 Egger ..... D12/111  
D517,452 S \* 3/2006 Hickman ..... D12/111  
D632,615 S \* 2/2011 Uimonen ..... D12/111  
D637,527 S \* 5/2011 Choi ..... D12/111  
D662,011 S \* 6/2012 D’Aluisio ..... D12/111  
D662,445 S \* 6/2012 Uimonen ..... D12/111  
D667,347 S \* 9/2012 Simko ..... D12/111  
D719,488 S \* 12/2014 Stafford ..... D12/111  
D719,880 S \* 12/2014 Juarez ..... D12/111  
D726,075 S \* 4/2015 D’Aluisio ..... D12/111  
D734,218 S \* 7/2015 D’Aluisio ..... D12/111  
D766,136 S \* 9/2016 Jankura ..... D12/111

**OTHER PUBLICATIONS**

“SIR 9” Niner Bikes., posted date Jan. 29, 2019 [online], [retrieved  
on Mar. 25, 2021], Retrieved from the Internet <URL:https://  
ninerbikes.com/products/sir-9> (Year: 2019).\*

(Continued)

*Primary Examiner* — Darlington Ly  
*Assistant Examiner* — Nasim Abdulaziz Ali  
(74) *Attorney, Agent, or Firm* — Michael Best &  
Friedrich LLP

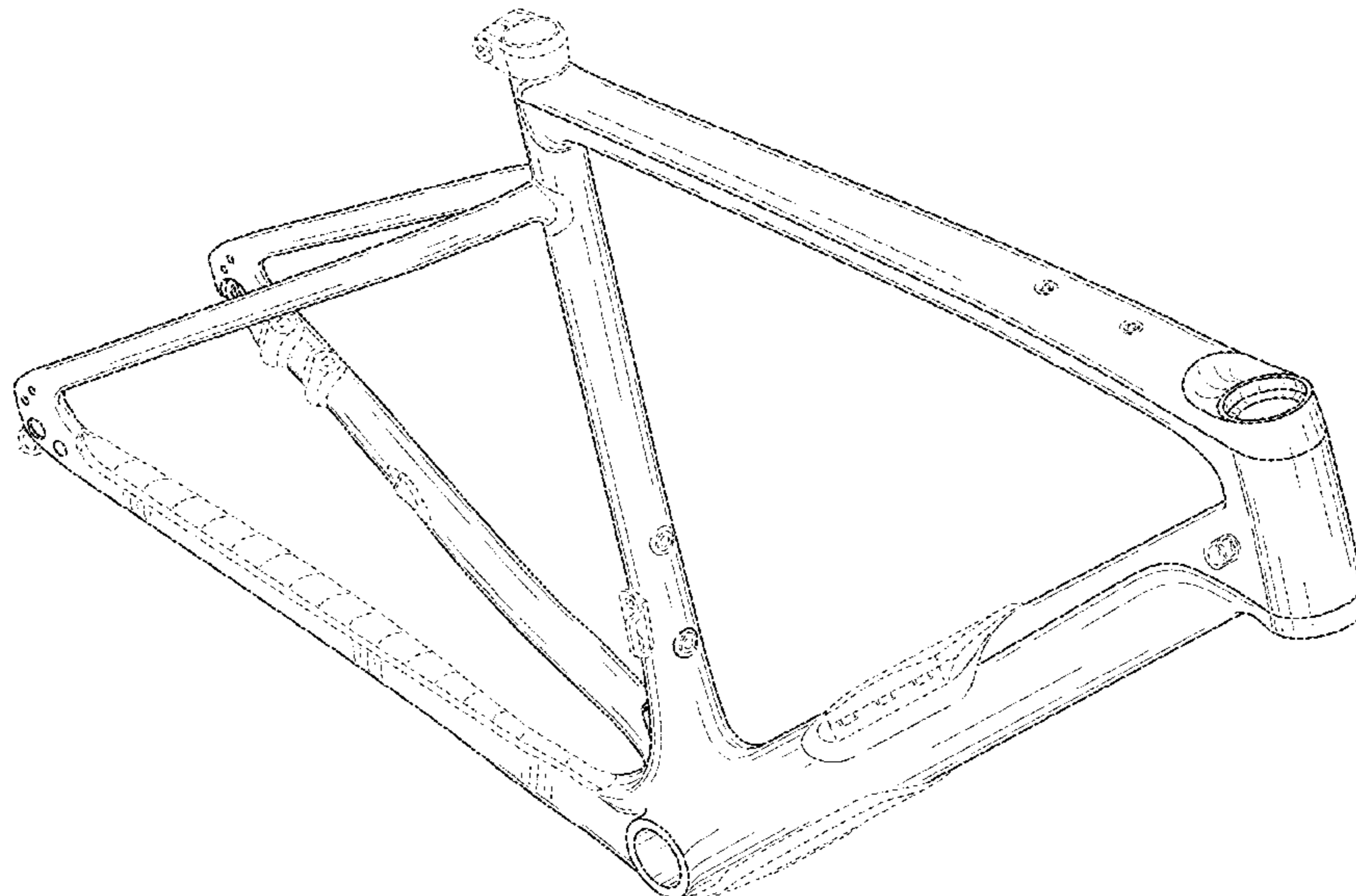
(57) **CLAIM**

We claim the ornamental design for a bicycle frame, as  
shown and described.

**DESCRIPTION**

FIG. 1 is a perspective view of a bicycle frame embodying  
the design;  
FIG. 2 is a right side elevation view thereof;  
FIG. 3 is a left side elevation view thereof;  
FIG. 4 is a front elevation view thereof;  
FIG. 5 is a rear elevation view thereof;  
FIG. 6 is a top plan view thereof; and,  
FIG. 7 is a bottom plan view thereof.  
The portions of the bicycle frame shown in broken lines  
form no part of the claimed design.

**1 Claim, 7 Drawing Sheets**



(56)

**References Cited**

U.S. PATENT DOCUMENTS

D908,046 S \* 1/2021 Callahan ..... D12/111  
D909,257 S \* 2/2021 Munoz ..... D12/111  
D909,921 S \* 2/2021 Stafford ..... D12/111

OTHER PUBLICATIONS

“P.3 Frameset” Specialized., posted date Aug. 25, 2019 [online],  
[retrieved on Mar. 25, 2021], Retrieved from the Internet <URL:  
<https://www.specialized.com/hn/en/p-3-frameset/p/187368?color=300701-187368&searchText=71921-7022>> (Year: 2019).\*

“Pivot LES SL Carbon Mountain Bike Frame” Competitive Cyclist.,  
posted date Sep. 30, 2019 [online], [retrieved on Mar. 25, 2021],  
Retrieved from the Internet <URL:<https://www.competitivecyclist.com/pivot-les-sl-carbon-mountain-bike-frame>> (Year: 2019).\*

\* cited by examiner

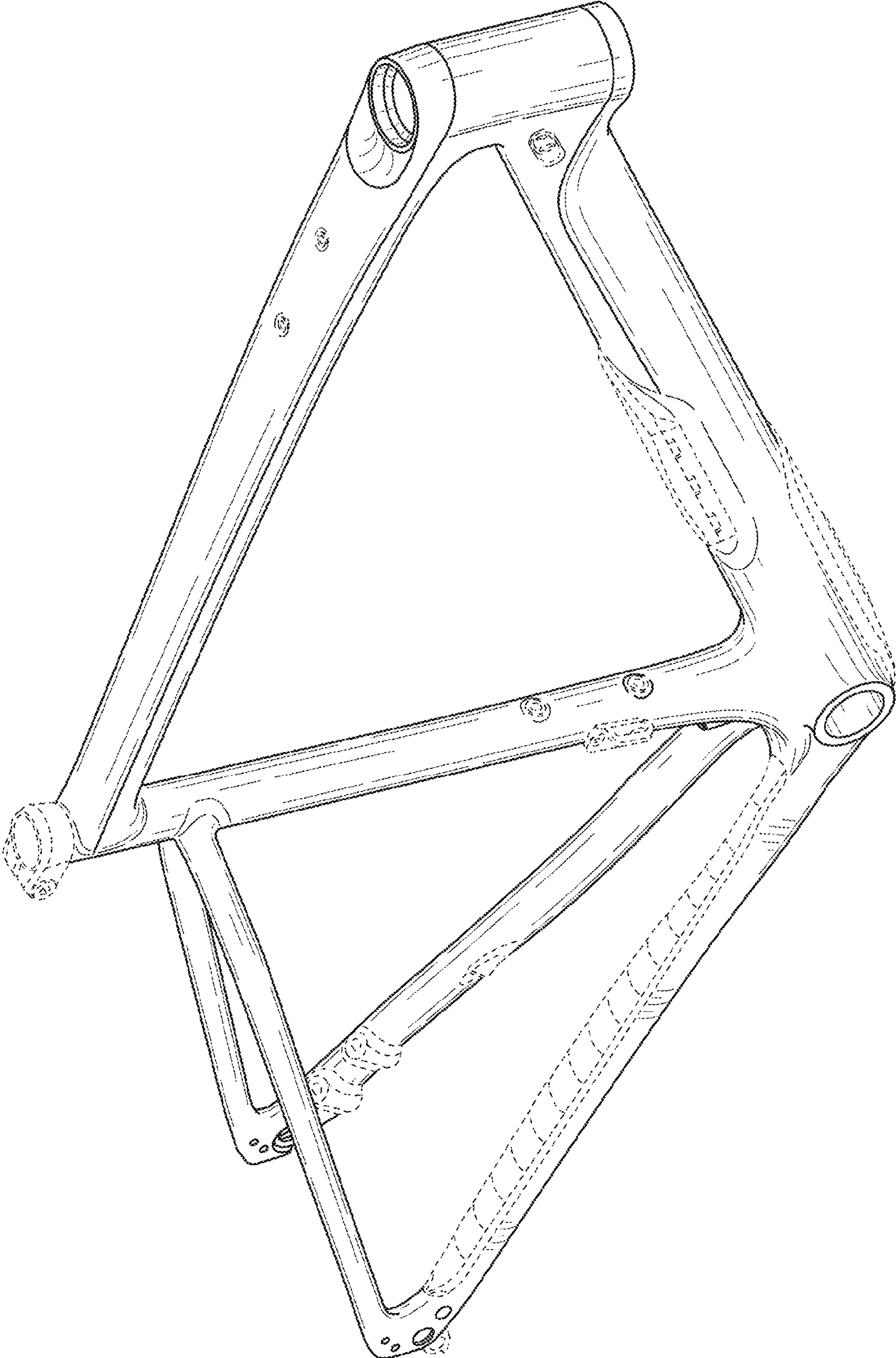


FIG. 1

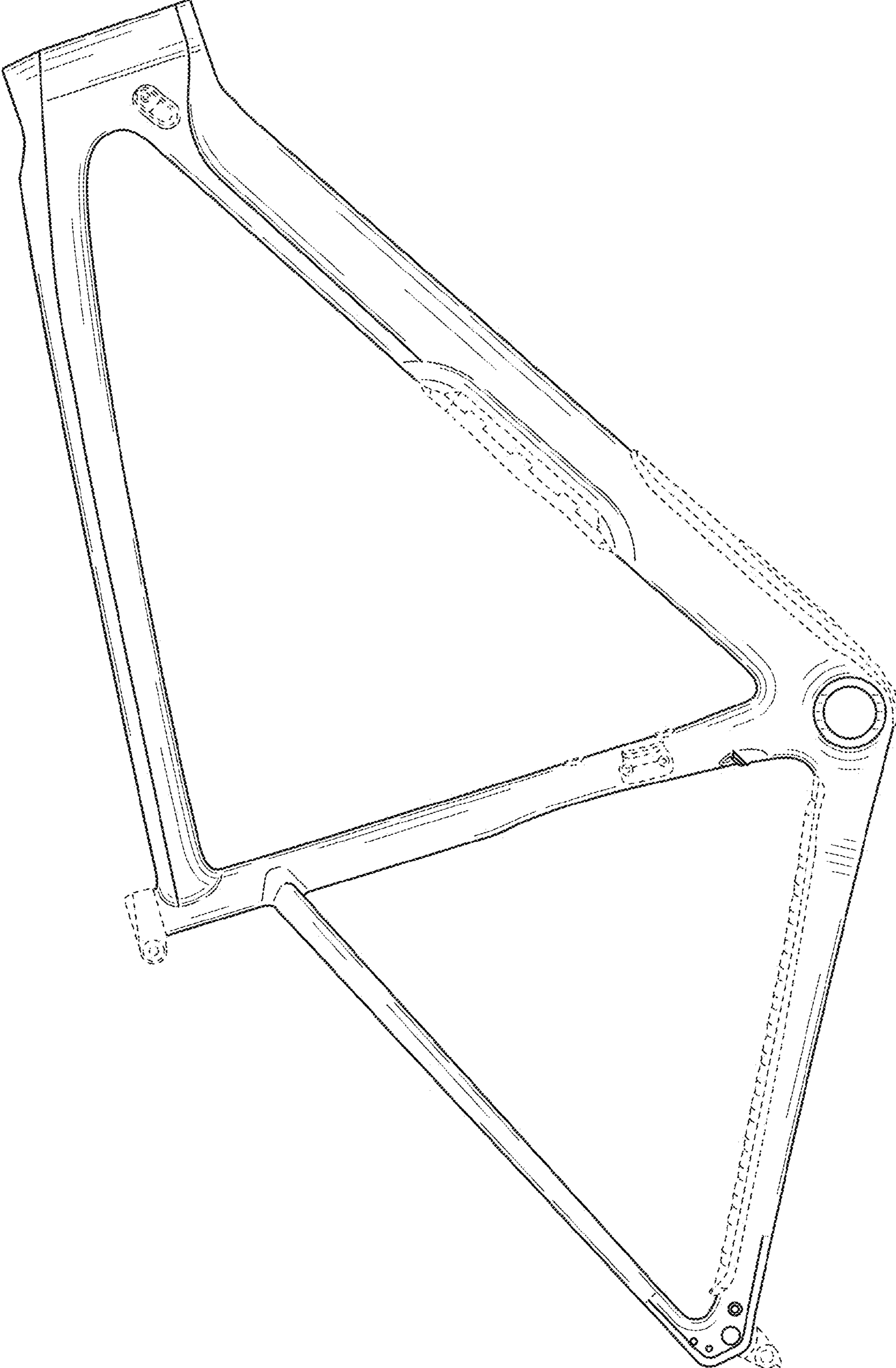


FIG. 2

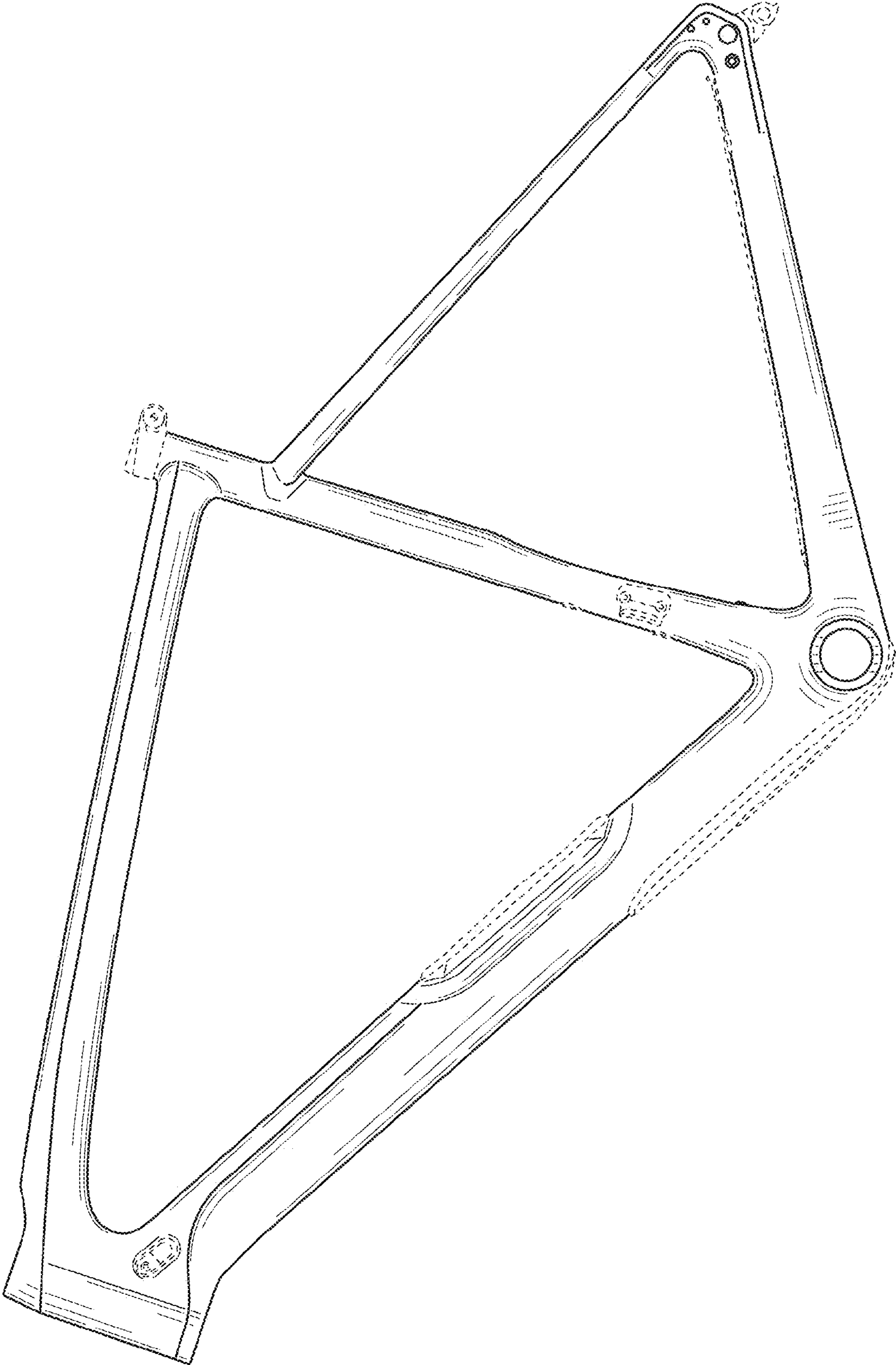


FIG. 3

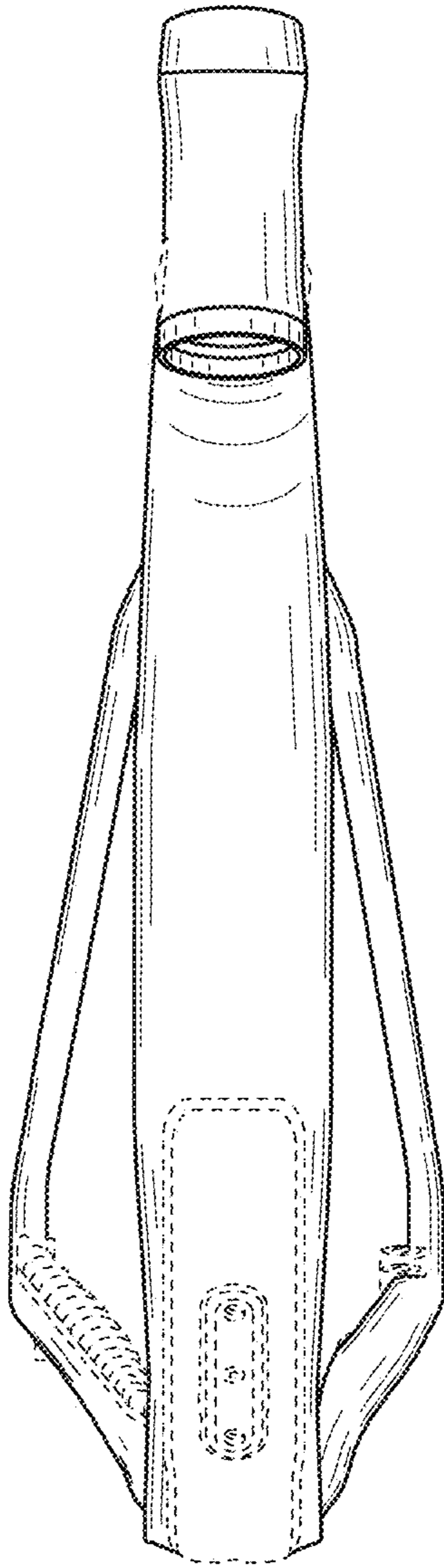


FIG. 4

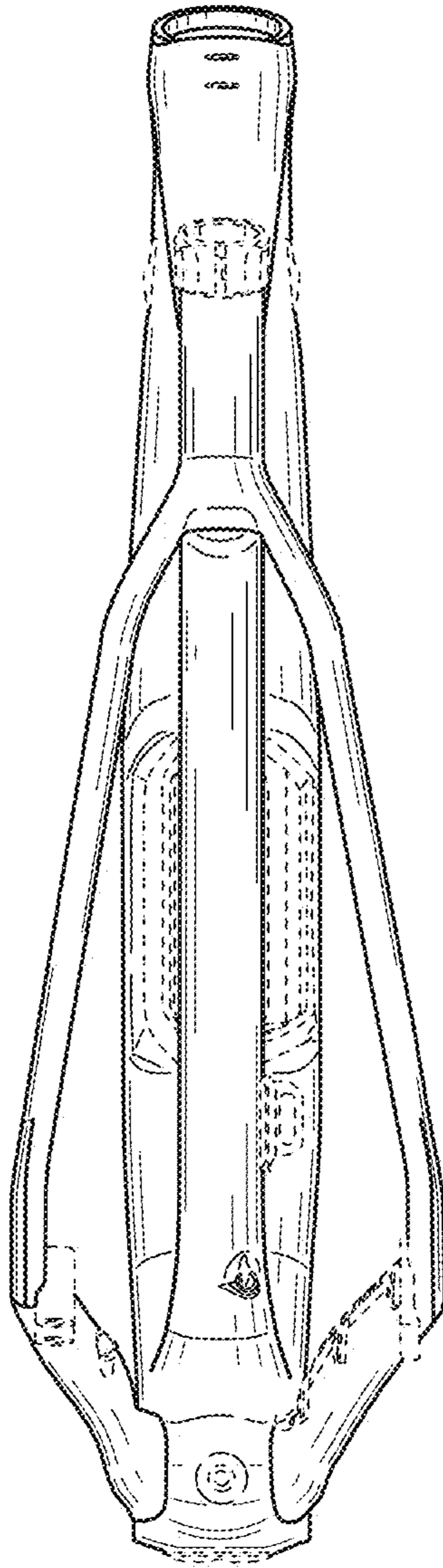


FIG. 5

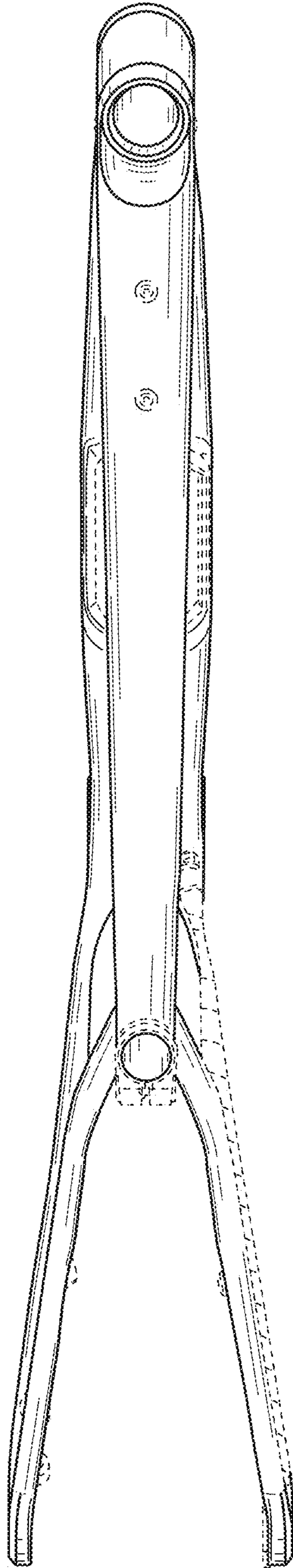


FIG. 6



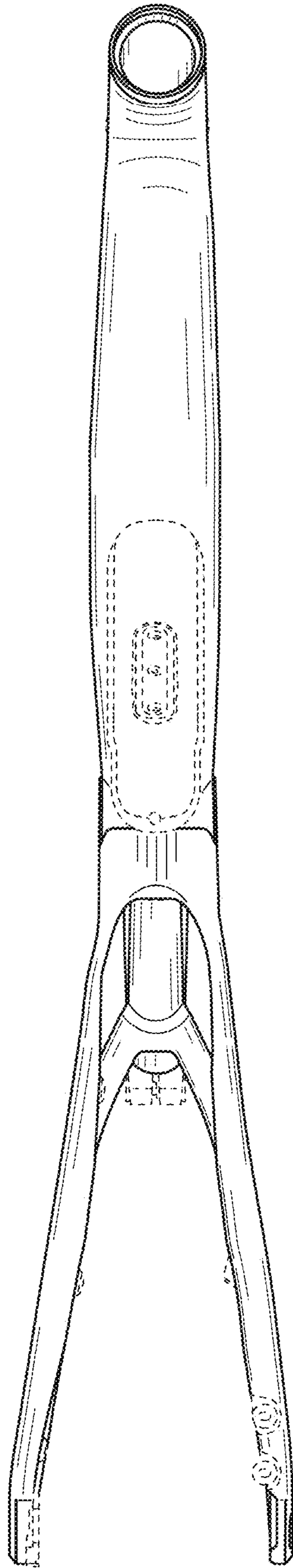


FIG. 7