



US00D923516S

(12) **United States Design Patent** (10) **Patent No.:** **US D923,516 S**
Davidson (45) **Date of Patent:** **** Jun. 29, 2021**

(54) **VEHICLE AND/OR REPLICA**
(71) Applicant: **HONDA MOTOR CO., LTD.**, Tokyo (JP)
(72) Inventor: **Benjamin Davidson**, Torrance, CA (US)
(73) Assignee: **HONDA MOTOR CO., LTD.**, Tokyo (JP)
(**) Term: **15 Years**
(21) Appl. No.: **29/689,601**
(22) Filed: **Apr. 30, 2019**
(51) **LOC (13) Cl.** **12-08**
(52) **U.S. Cl.**
USPC **D12/92**
(58) **Field of Classification Search**
USPC D12/86, 90-92, 88, 164; D21/424, 433, D21/434; 296/181.1-181.5, 183.1
CPC B62D 25/00; B62D 25/06; B62D 33/00; B62D 35/00
See application file for complete search history.

(56) **References Cited**
U.S. PATENT DOCUMENTS
D686,949 S * 7/2013 Minami D12/91
D705,700 S * 5/2014 Chen D12/91
D711,785 S * 8/2014 Tabata D12/92
D713,764 S * 9/2014 Ferlazzo D12/92
D719,875 S * 12/2014 Jang D12/91
D759,540 S * 6/2016 Davidson D12/91
D761,693 S * 7/2016 Lian D12/91
D762,527 S * 8/2016 Willing D12/92
D763,136 S * 8/2016 Minami D12/92
D763,736 S * 8/2016 Varga D12/92
D766,778 S * 9/2016 Lian D12/91

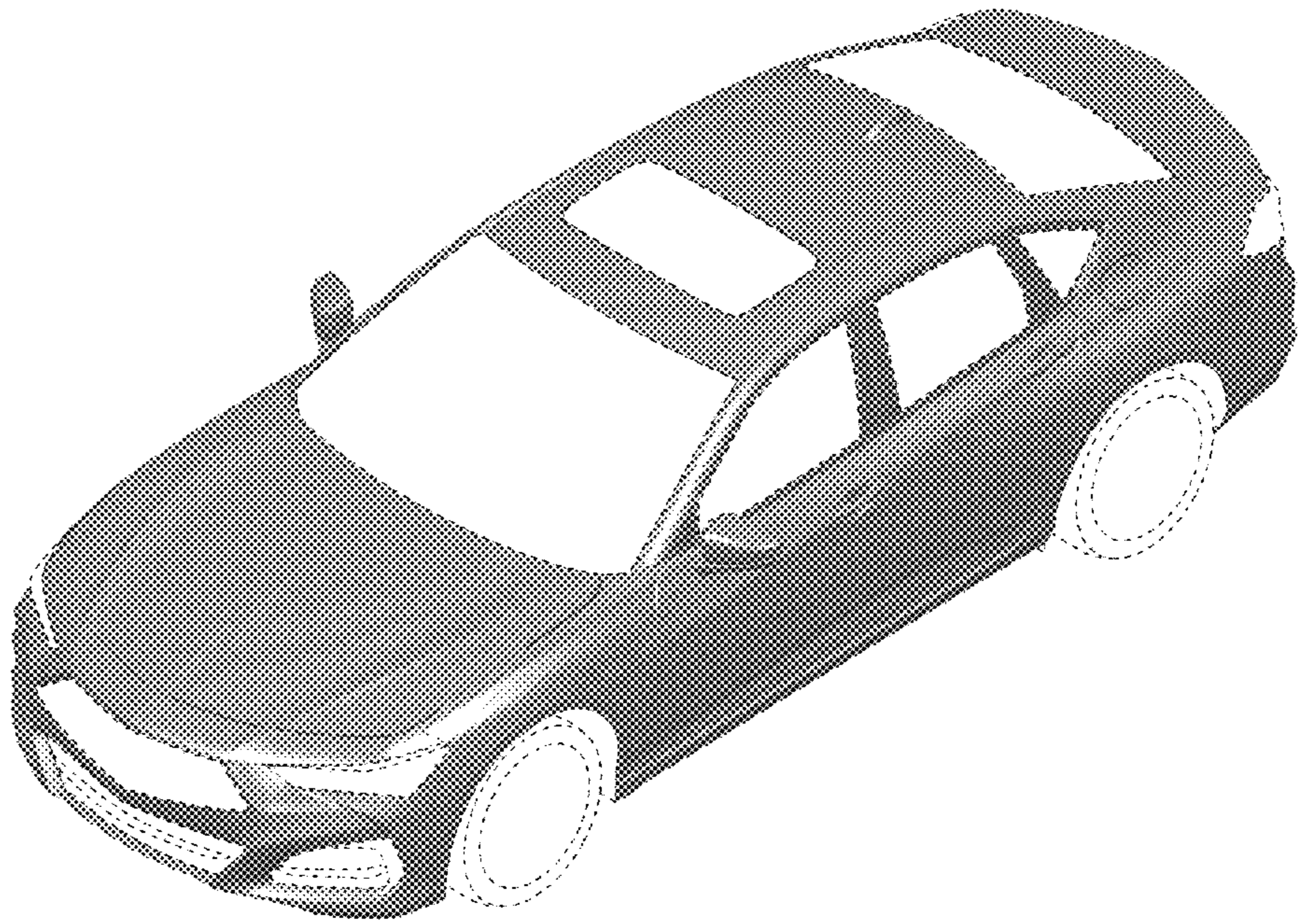
D767,448 S * 9/2016 Leu D12/92
D773,960 S * 12/2016 Jeon D12/92
D781,185 S * 3/2017 Ham D12/92
D804,996 S * 12/2017 Sahara D12/91
D807,227 S * 1/2018 Chen D12/91
D808,303 S * 1/2018 Chung D12/92
D808,304 S * 1/2018 Chung D12/92
D821,271 S * 6/2018 Minami D12/163
D823,165 S * 7/2018 Chung D12/91
D834,467 S * 11/2018 Kanai D12/163
D847,694 S * 5/2019 Smock D12/91
D867,214 S * 11/2019 Kato D12/92

* cited by examiner
Primary Examiner — Melody N Brown
(74) *Attorney, Agent, or Firm* — Arent Fox LLP

(57) **CLAIM**
The ornamental design for a vehicle and/or replica, as shown and described.

DESCRIPTION
FIG. 1 is a left, front perspective view of a vehicle and/or replica showing my new design;
FIG. 2 is a right, rear perspective view thereof;
FIG. 3 is a right, rear perspective view thereof;
FIG. 4 is a left, rear perspective view thereof;
FIG. 5 is a front elevational view thereof;
FIG. 6 is a rear elevational view thereof;
FIG. 7 is a left side elevational view thereof;
FIG. 8 is a right side elevational view thereof;
FIG. 9 is a top plan view thereof; and,
FIG. 10 is a bottom plan view thereof.
The broken lines shown throughout the drawing views represent portions of the vehicle that are for environmental and illustrative purposes that form no part of the claimed design.

1 Claim, 10 Drawing Sheets



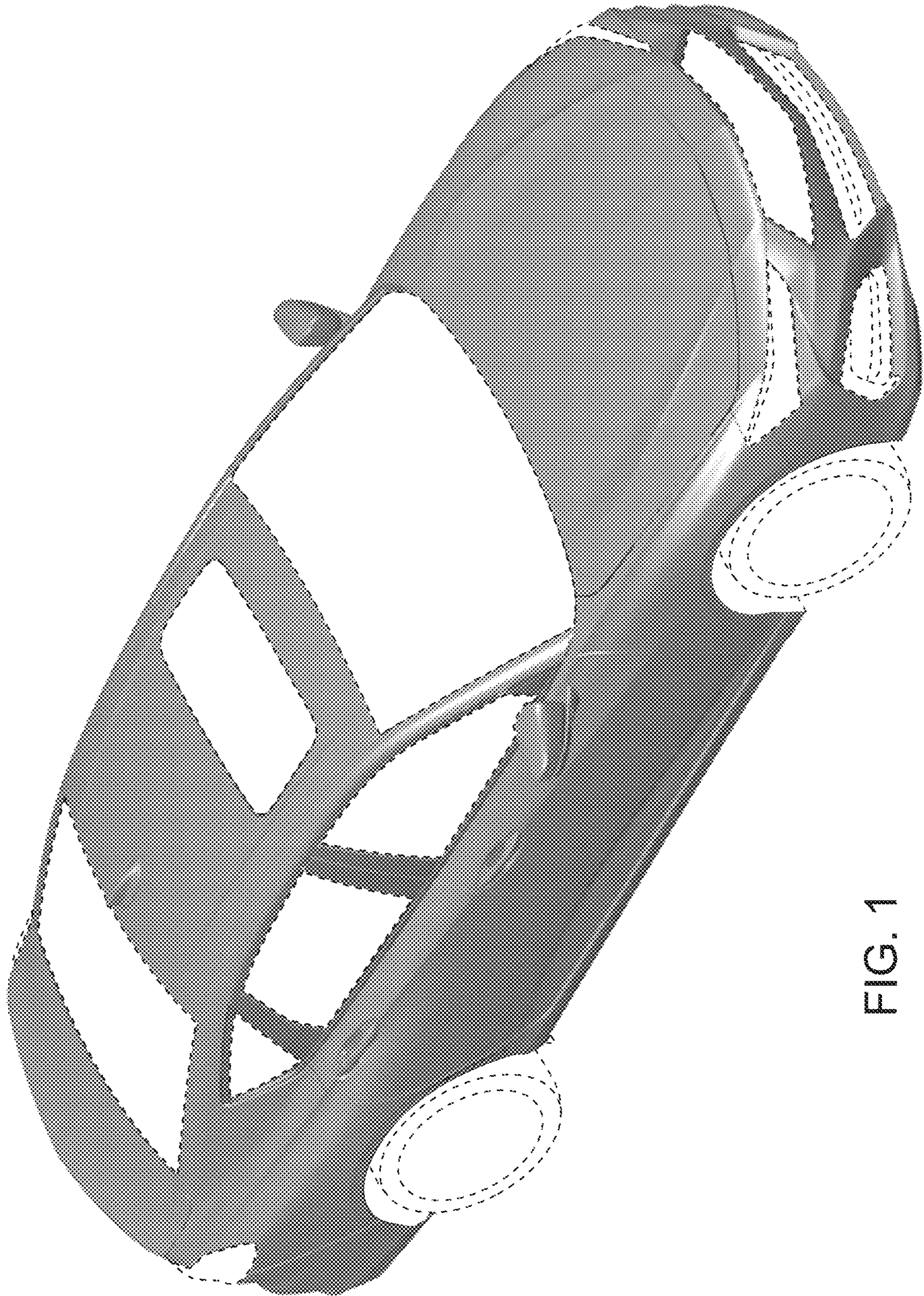


FIG. 1

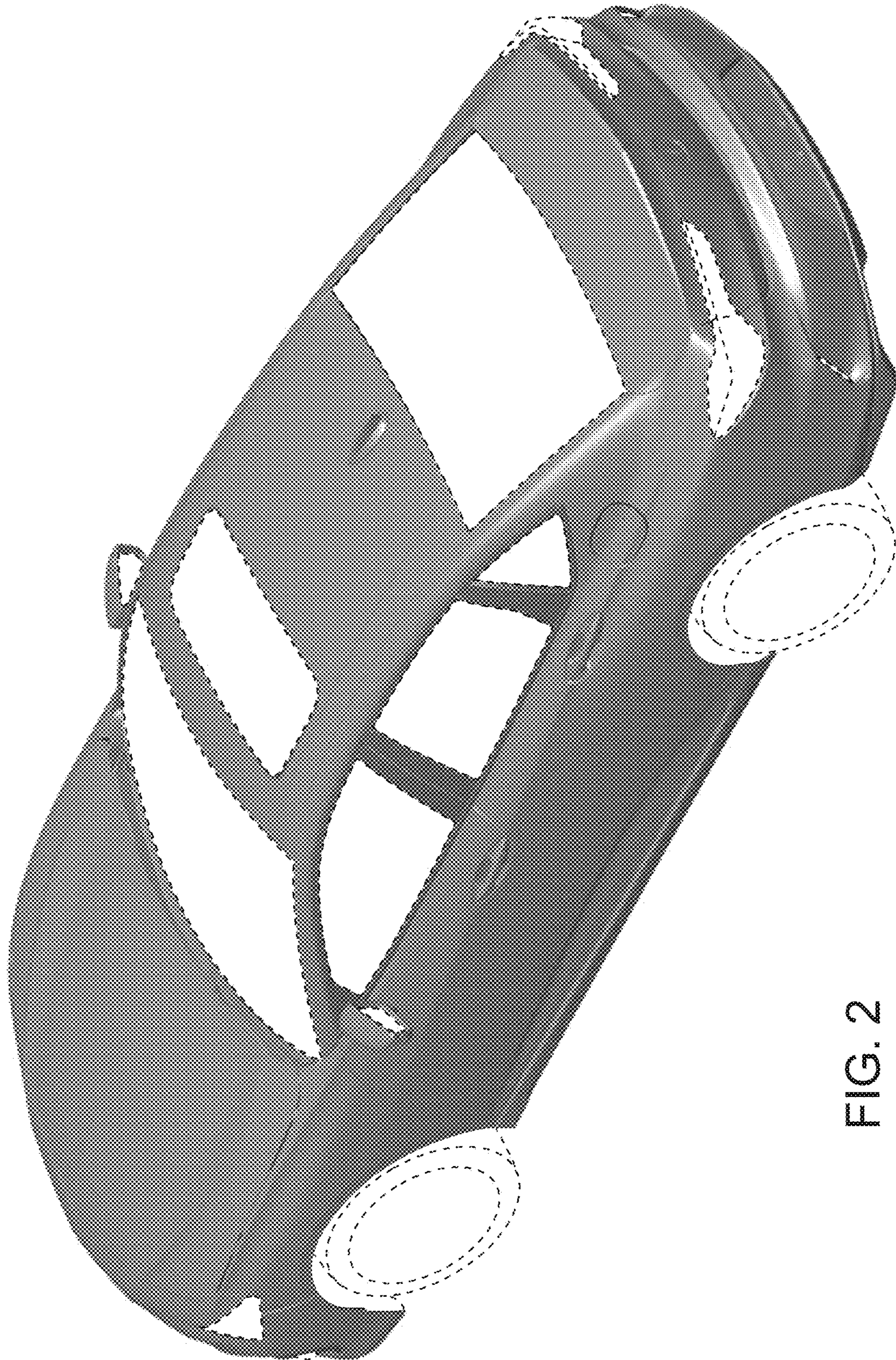


FIG. 2

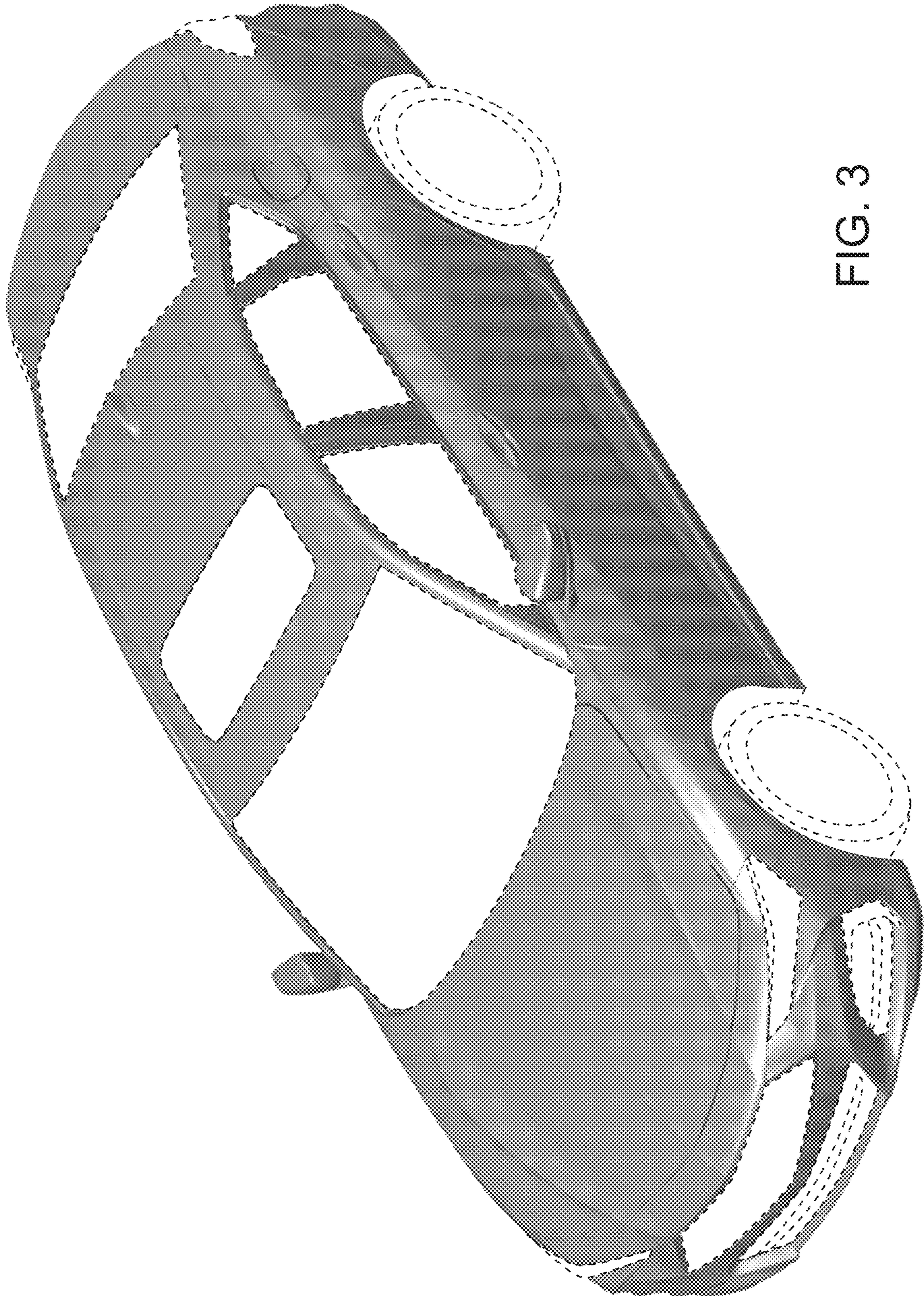


FIG. 3

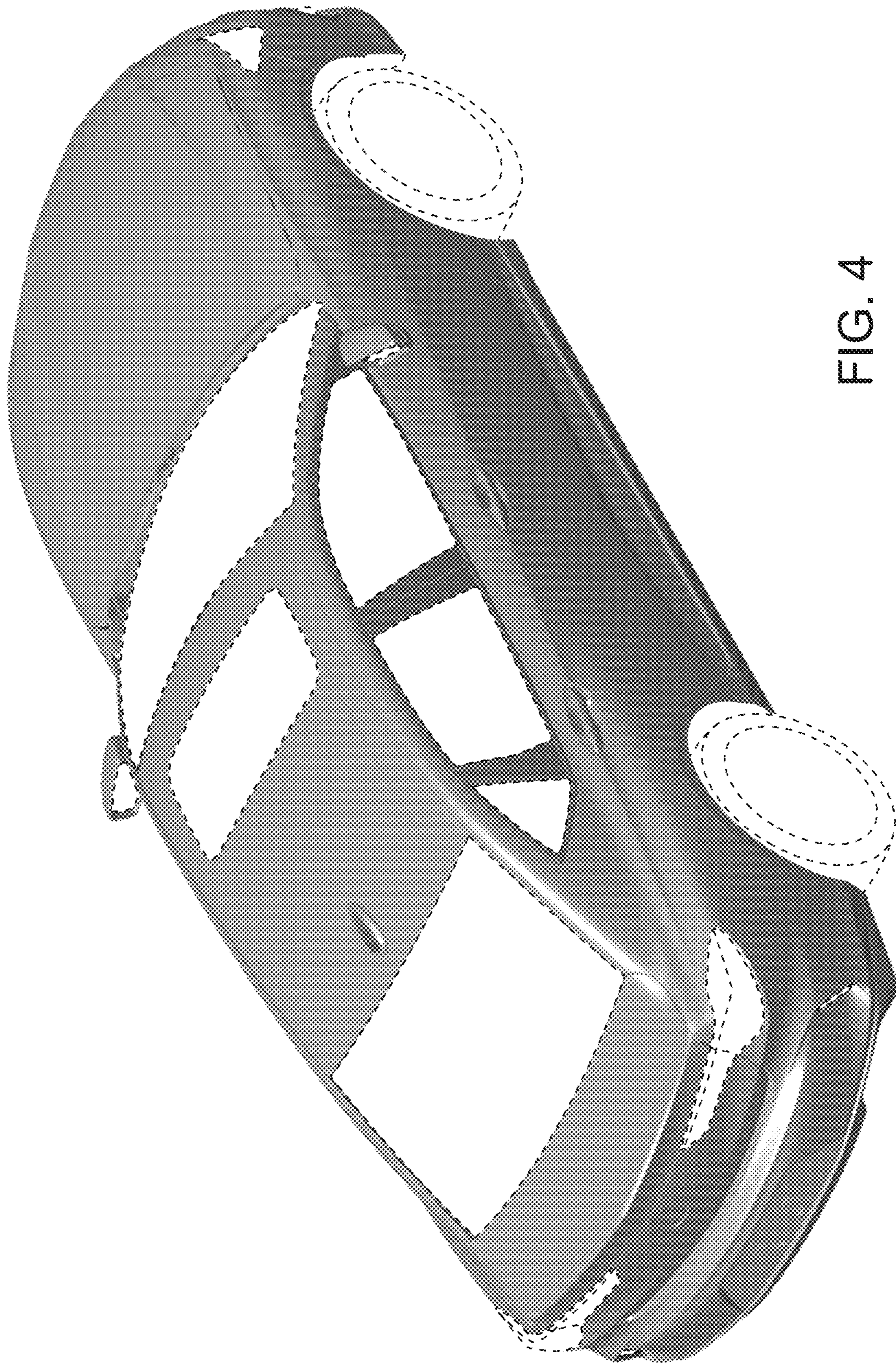


FIG. 4

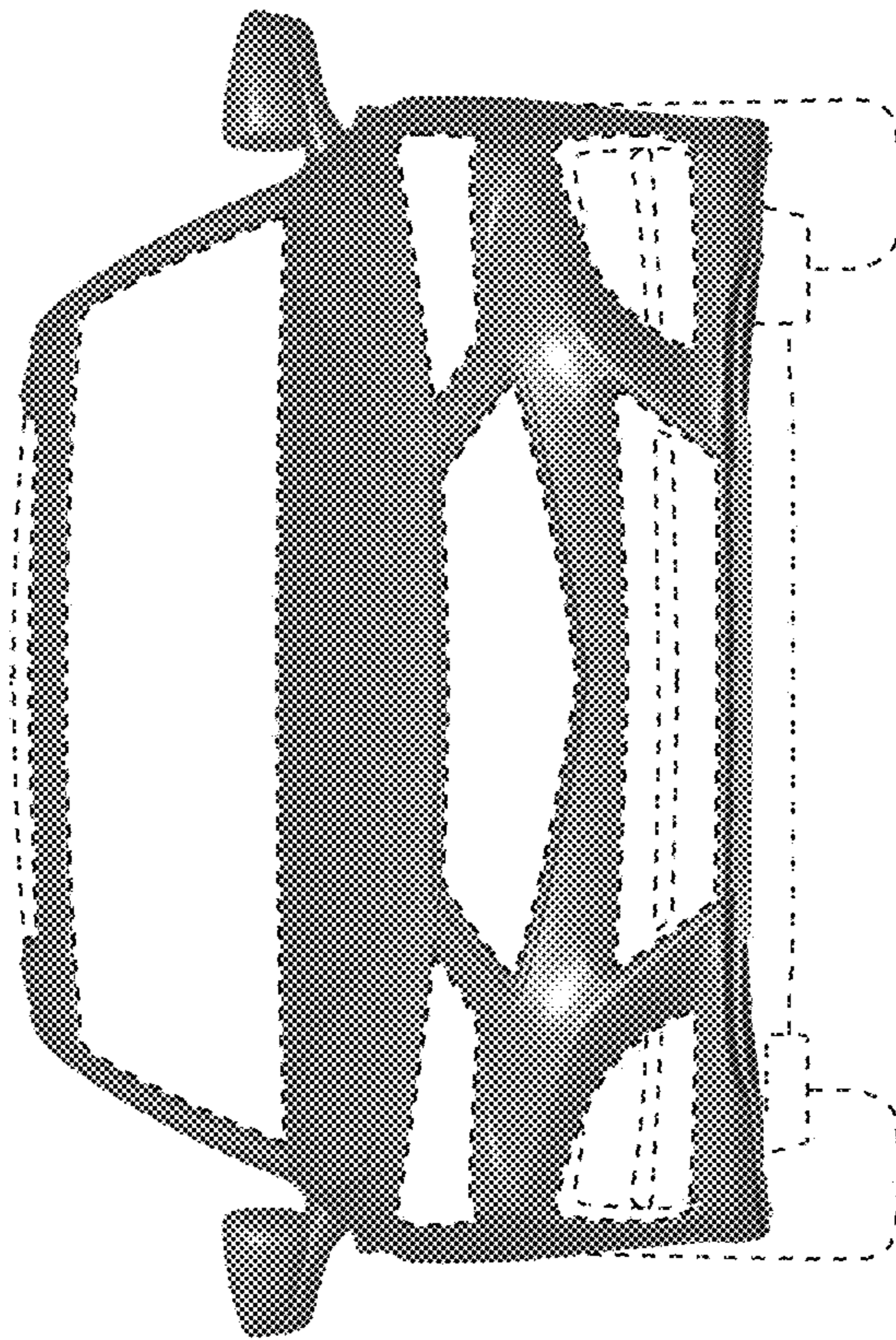


FIG. 5

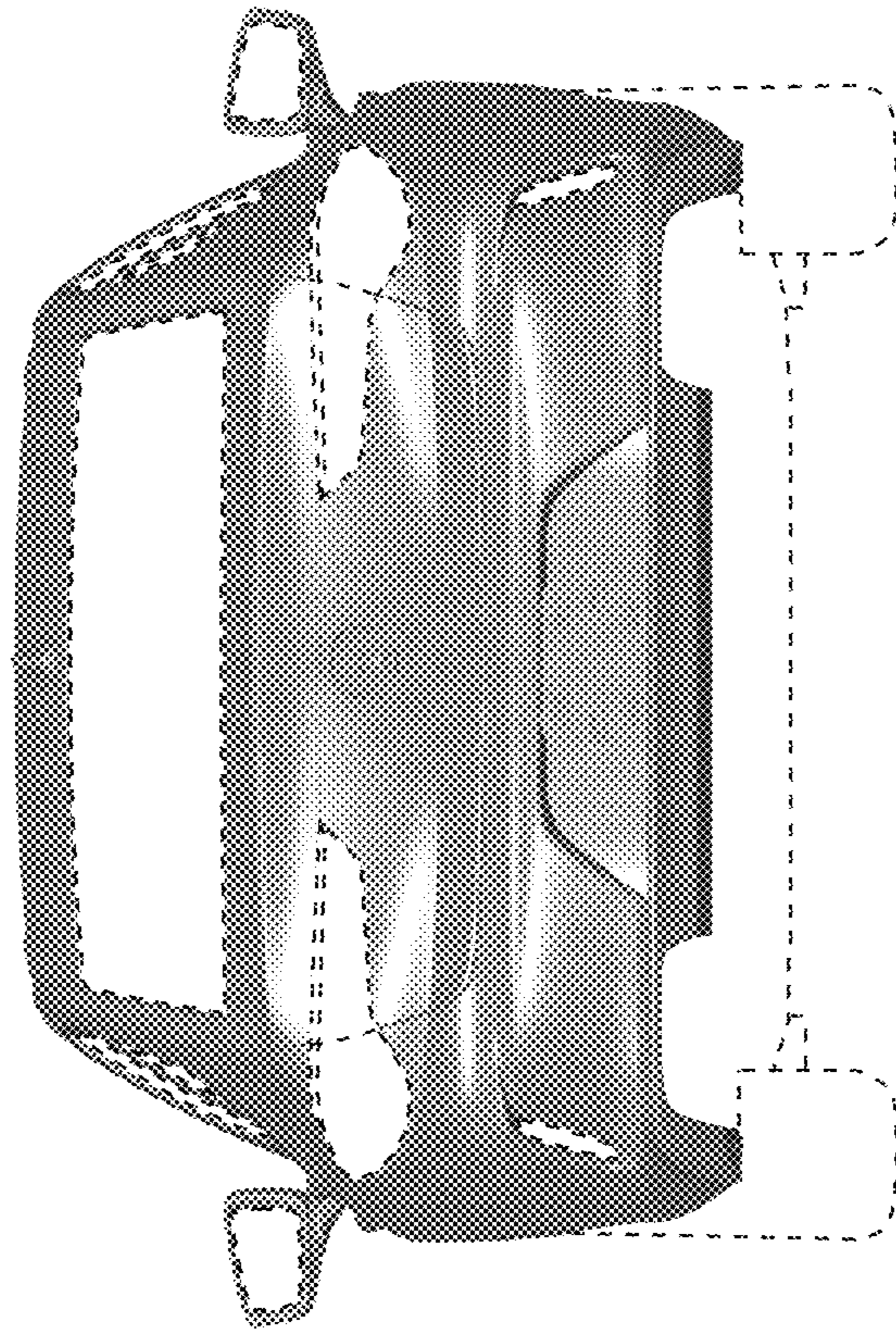


FIG. 6

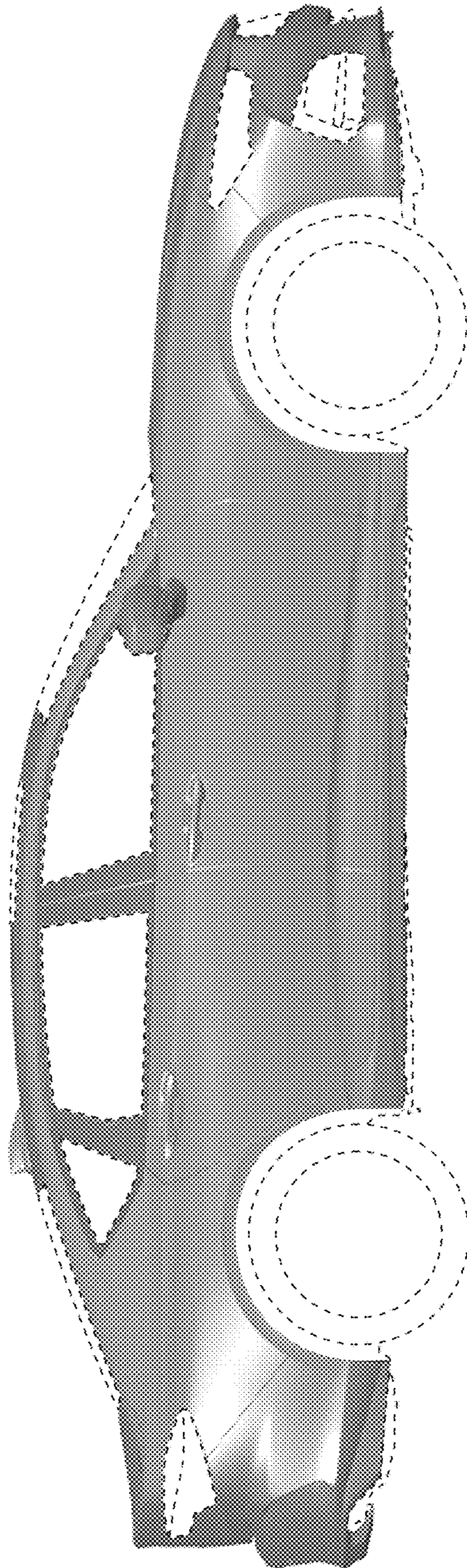


FIG. 7

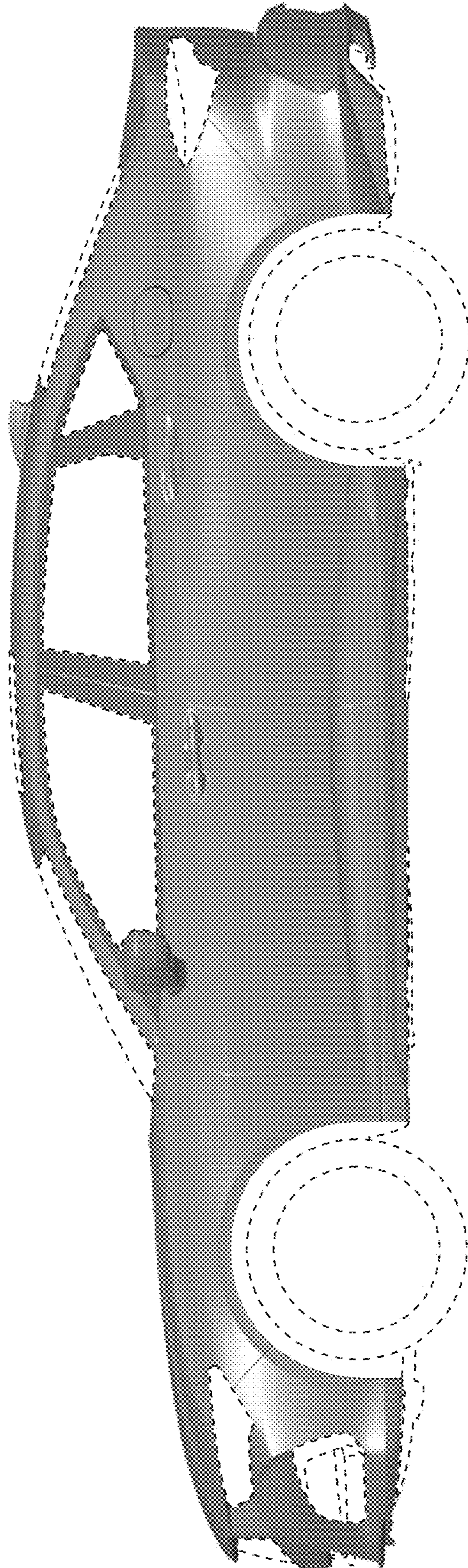


FIG. 8

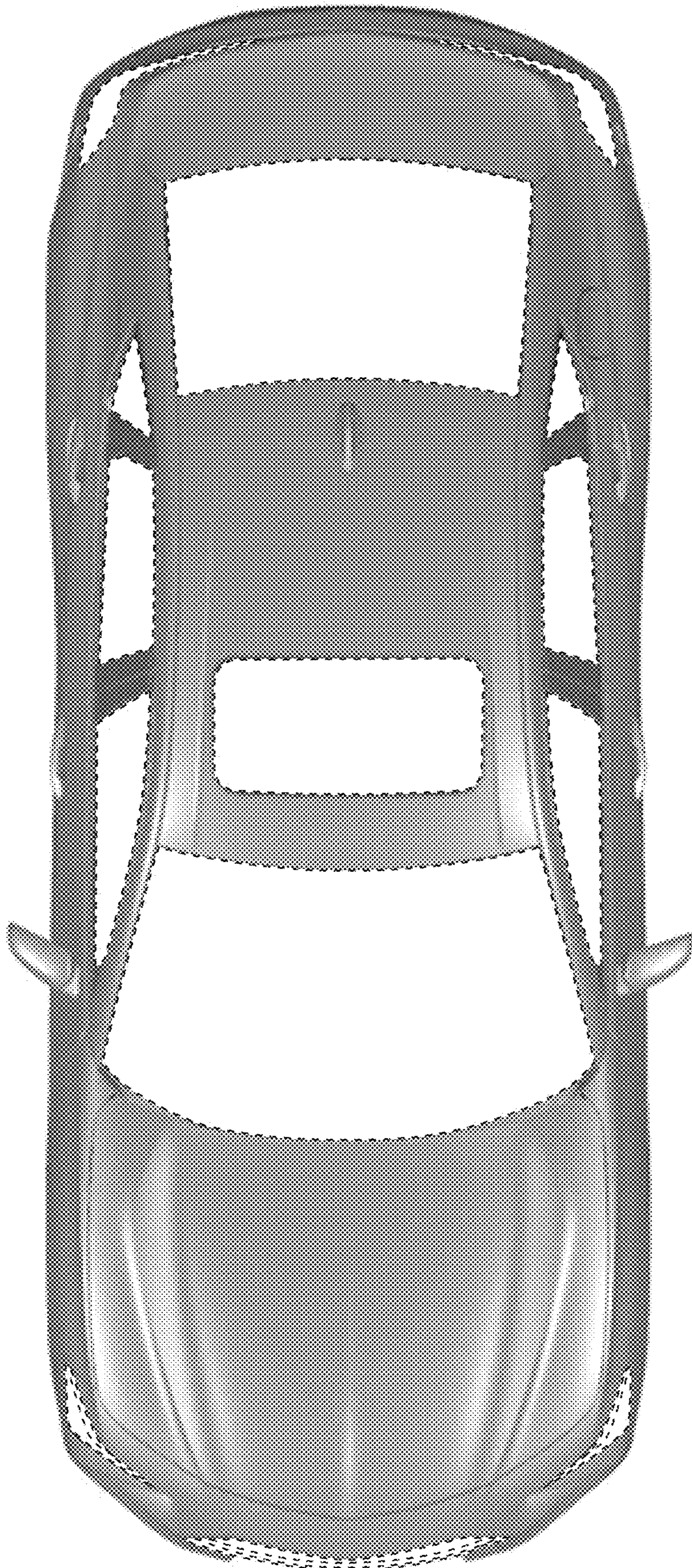


FIG. 9

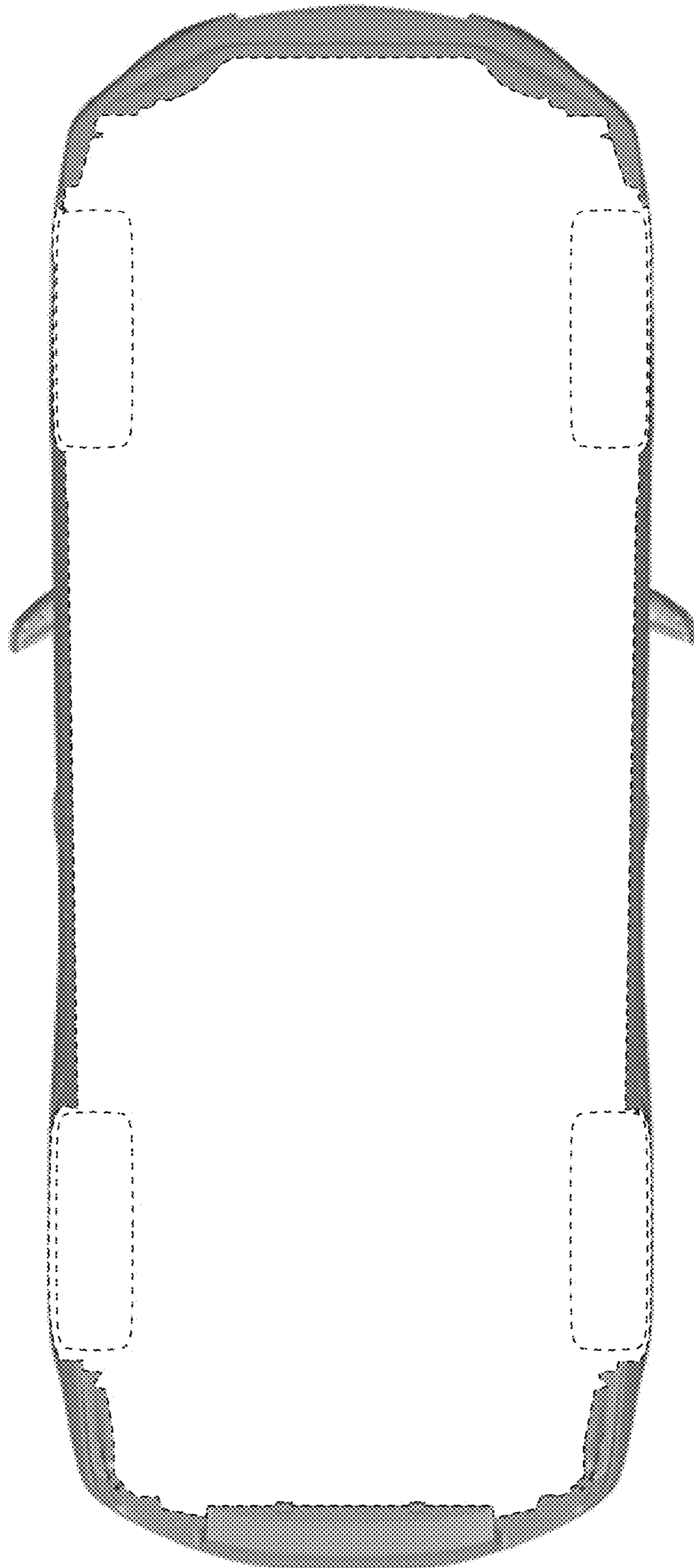


FIG. 10