



US00D923514S

(12) **United States Design Patent**
Choi et al.

(10) **Patent No.:** **US D923,514 S**
(45) **Date of Patent:** **** Jun. 29, 2021**

(54) **RACING KART**

(71) Applicant: **MONOLITH INC.**, Jeju-si (KR)

(72) Inventors: **Ji Woong Choi**, Seoul (KR); **Gyu Hyuk Jung**, Jeju-si (KR); **Na Young Kim**, Jeju-si (KR)

(73) Assignee: **MONOLITH INC.**, Jeju-si (KR)

(**) Term: **15 Years**

(21) Appl. No.: **35/508,394**

(22) Filed: **Apr. 15, 2019**

(80) **Hague Agreement Data**

Int. Filing Date: **Apr. 15, 2019**
Int. Reg. No.: **DM/205332**
Int. Reg. Date: **Apr. 15, 2019**
Int. Reg. Pub. Date: **Jan. 24, 2020**

(30) **Foreign Application Priority Data**

Oct. 15, 2018 (KR) 30-2018-0047230

(51) **LOC (13) Cl.** **12-08**

(52) **U.S. Cl.**
USPC **D12/88**

(58) **Field of Classification Search**
USPC D12/86-88, 90-92, 184, 196; D21/424,
D21/433, 434, 533, 548
CPC B62D 25/00; B62D 25/02; B62D 25/06;
B62D 35/00; B62D 35/005; B60J 5/04
See application file for complete search history.

(56) **References Cited**

U.S. PATENT DOCUMENTS

3,829,117 A * 8/1974 Park B62D 21/183
180/291
D299,705 S * 2/1989 Carpanelli D12/87
D453,711 S * 2/2002 Hettich B62D 21/183
D12/86
D601,640 S * 10/2009 McIlvain D21/433

D611,106 S * 3/2010 van Beek D21/424
D705,128 S * 5/2014 Patterson B60K 17/04
D12/87
D892,678 S * 8/2020 Chen F21S 43/19
D12/87
D903,530 S * 12/2020 Choi D12/87
2002/0017418 A1 * 2/2002 Korenjack B60K 17/04
180/291
2019/0100131 A1 * 4/2019 Matsushima F21S 43/19

OTHER PUBLICATIONS

Visitjeju.net, Jeju Monolith 9.81 Park, undated online promotional site, retrieved Dec. 19, 2020 from <URL:https://m.visitjeju.net/en/detail/view?contentsid=CNTS_200000000008633> (Year: 2020).
Chavarro Arias, 9.81 Park, Apr. 2020, IAAPA News, Funworld, Retrieved Dec. 19, 2020 from <URL:http://monolith.co.kr/wp/wp-content/uploads/2017/03/Funworld_March_2020_2p.pdf> (Year: 2020).*

* cited by examiner

Primary Examiner — George D. Kirschbaum

Assistant Examiner — Calvin E Vansant

(74) *Attorney, Agent, or Firm* — Revolution IP, PLLC

(57) **CLAIM**

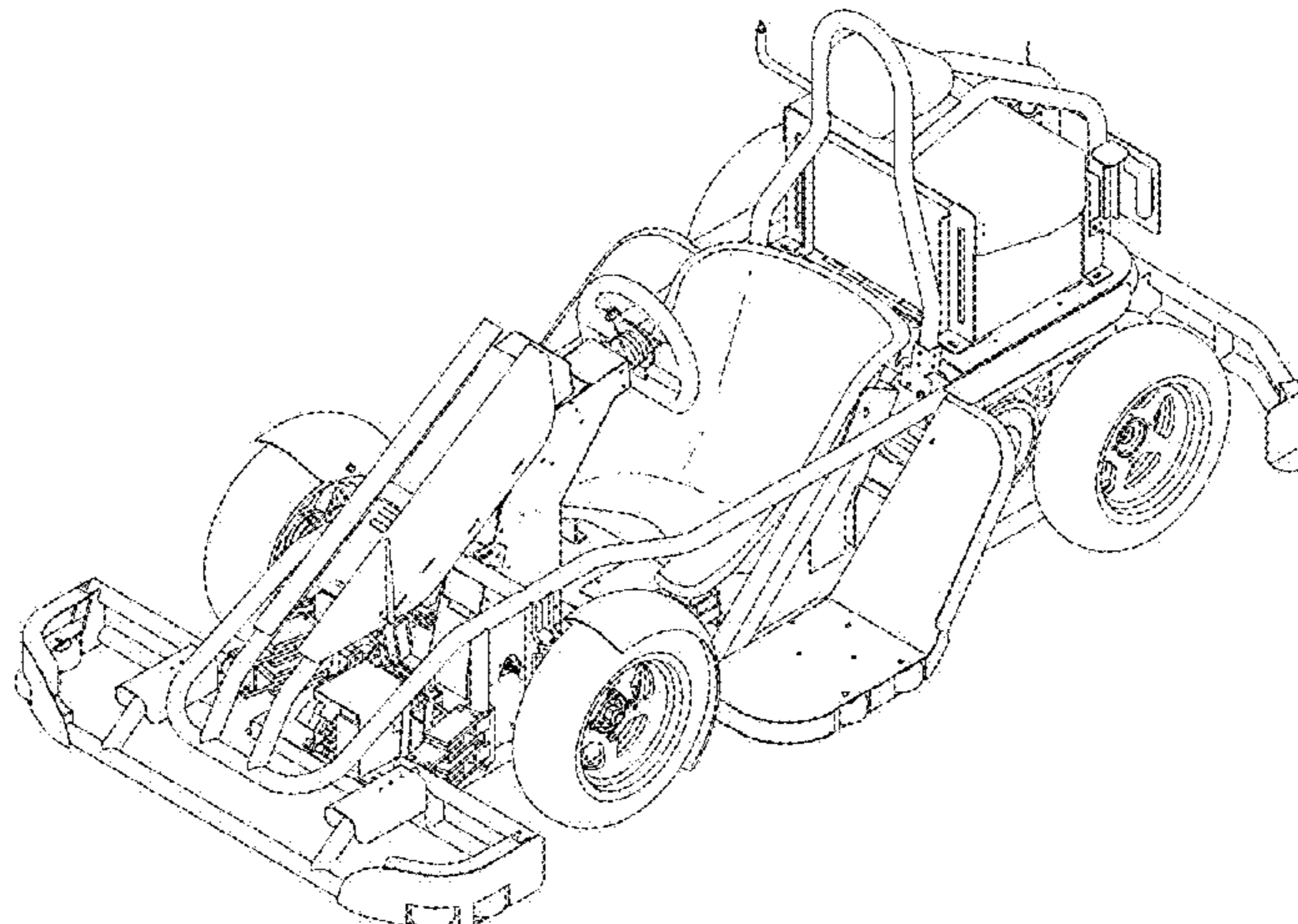
The ornamental design for a racing kart, as shown and described.

DESCRIPTION

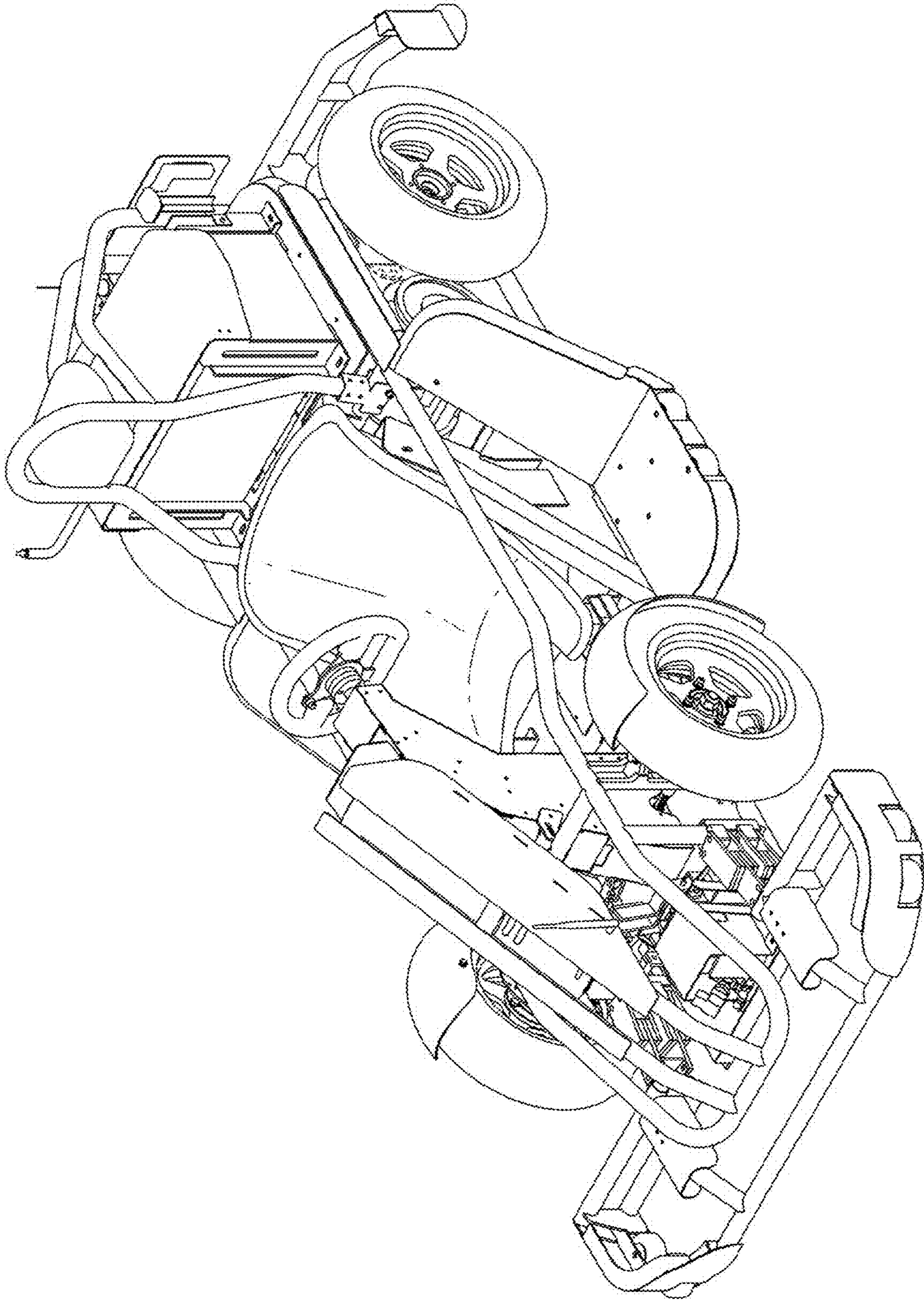
- 1. Racing kart
- 1.1 : Perspective
- 1.2 : Front
- 1.3 : Back
- 1.4 : Top
- 1.5 : Bottom
- 1.6 : Left
- 1.7 : Right

The broken lines in the figures depict portions of the racing kart that form no part of the claimed design.

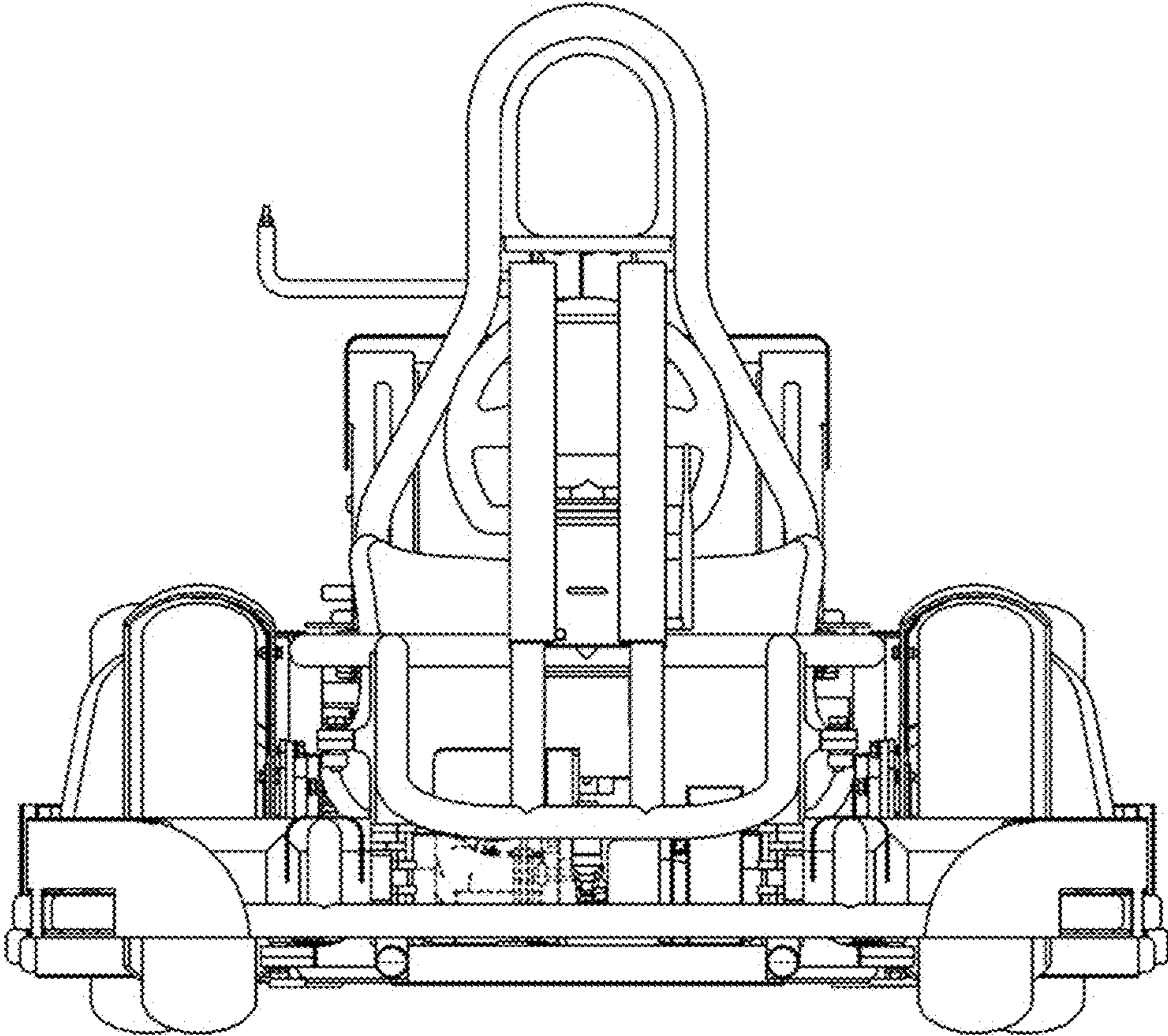
1 Claim, 7 Drawing Sheets



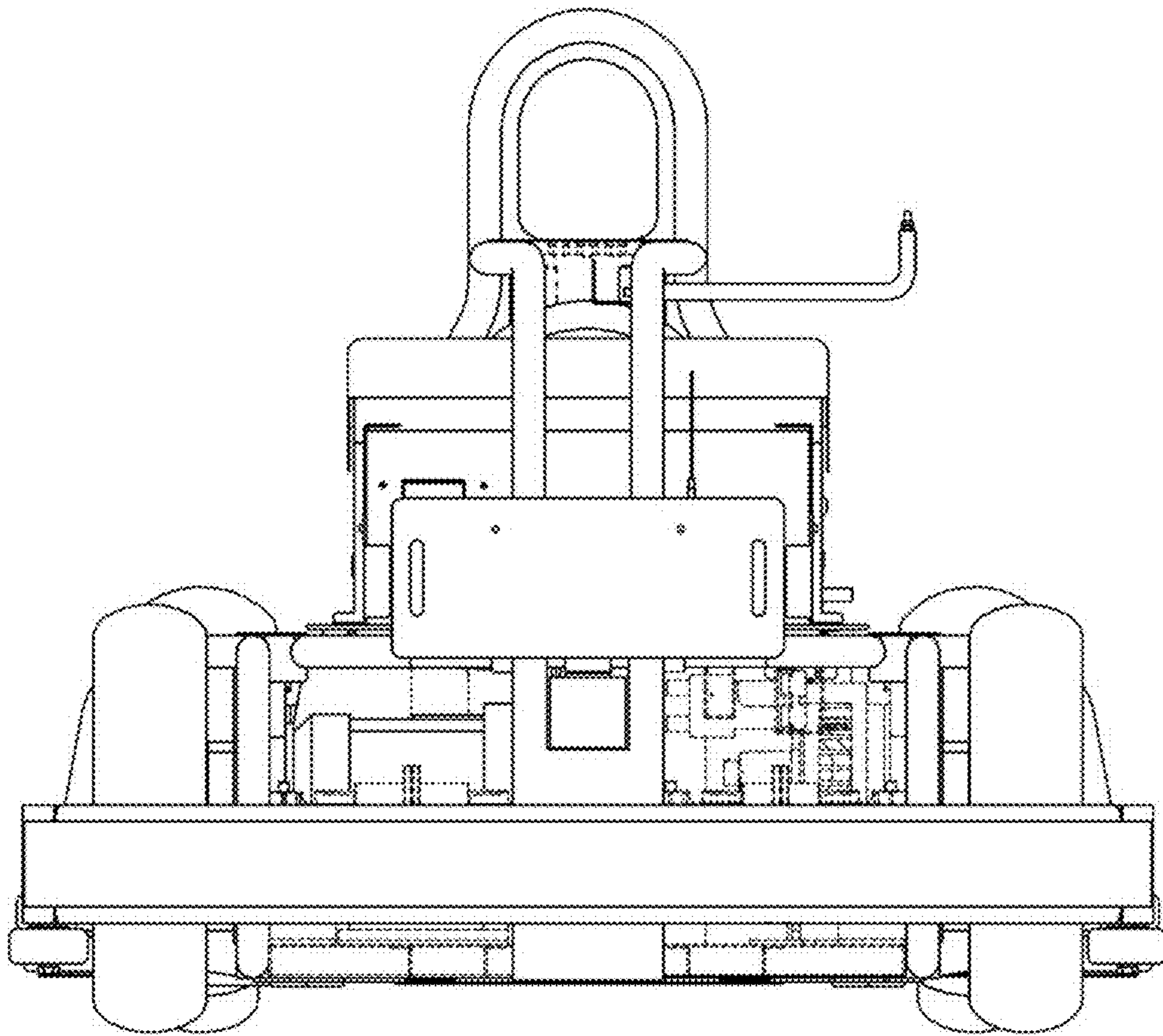
1.1



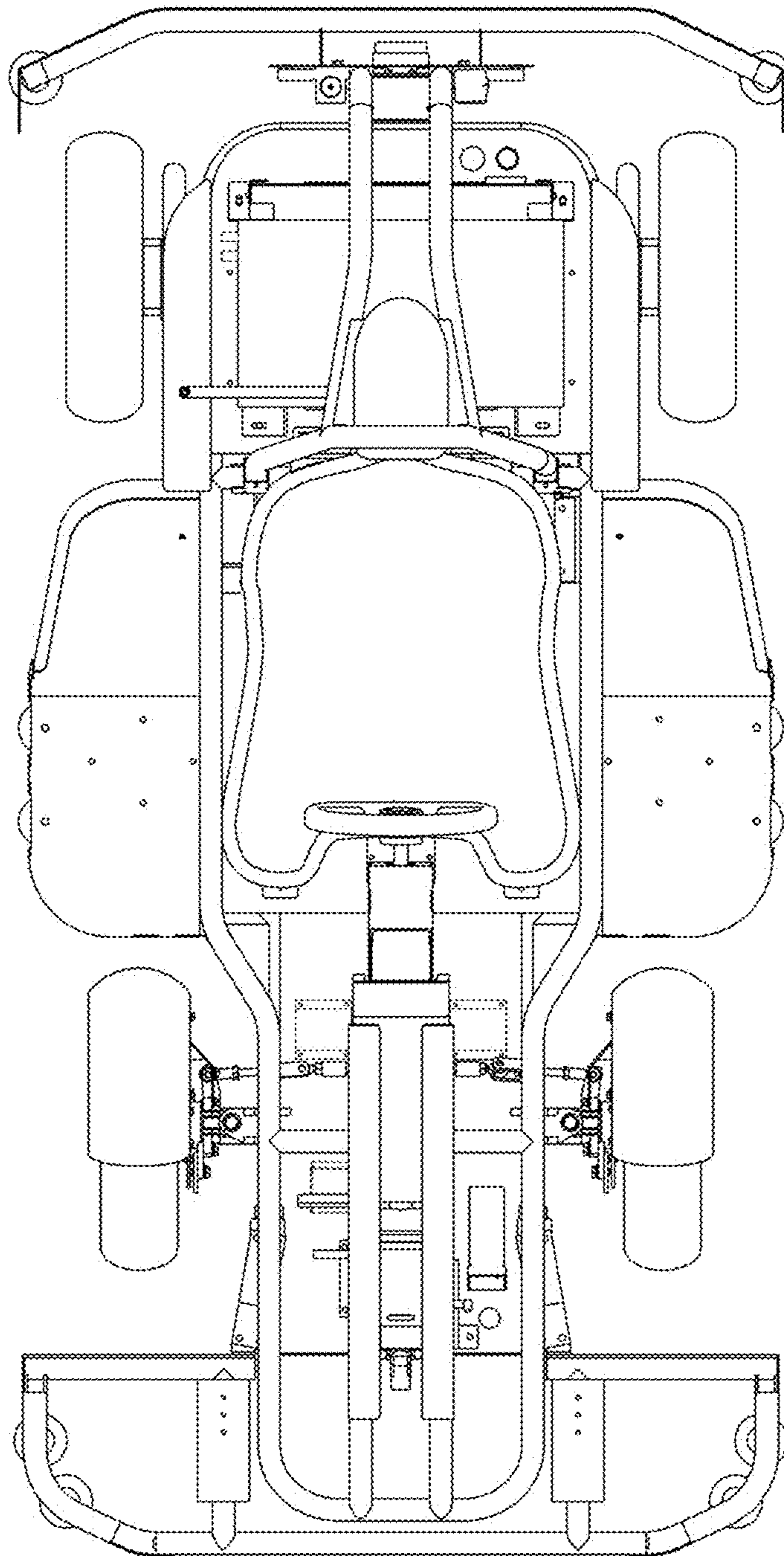
1.2



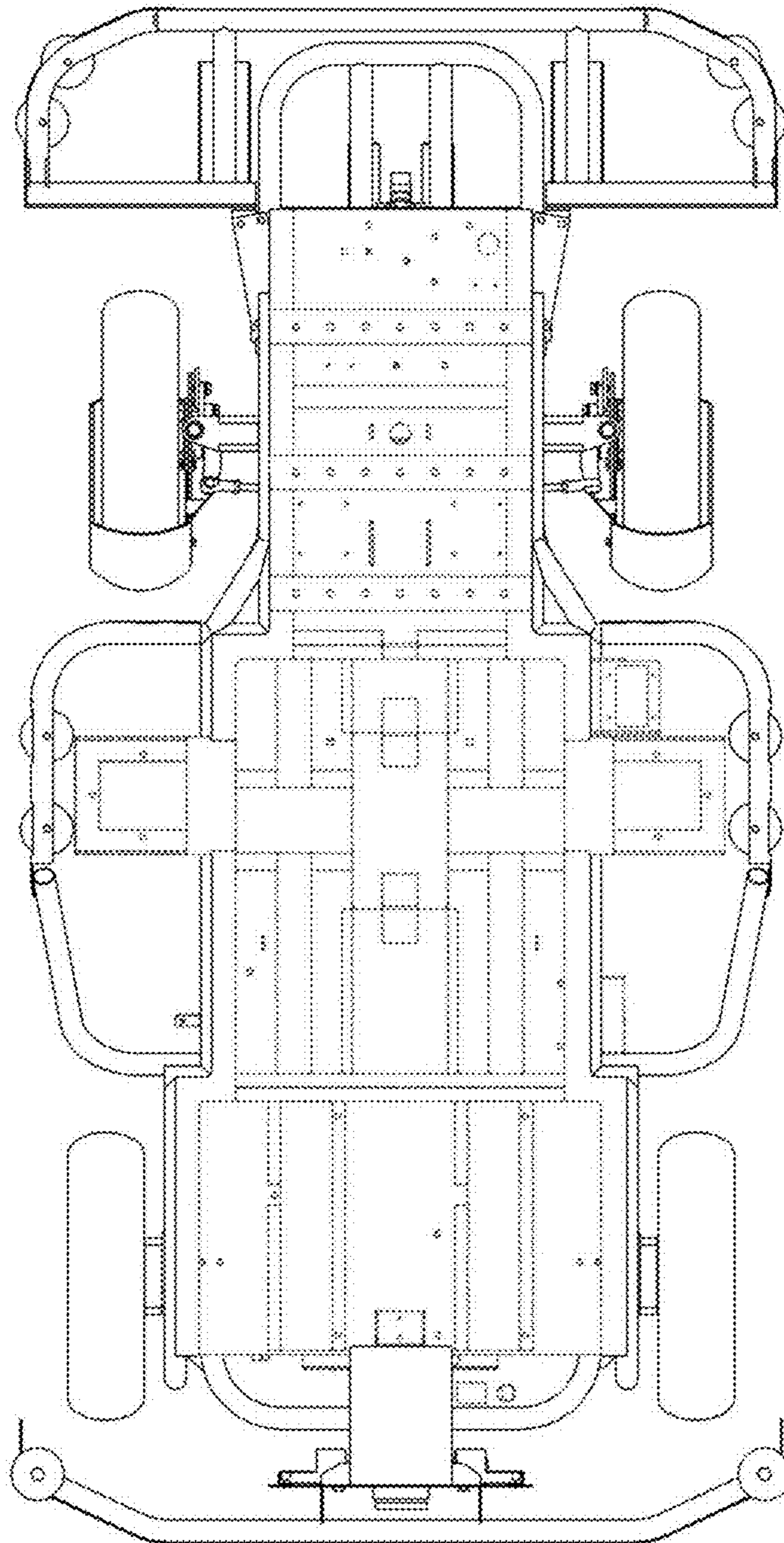
1.3



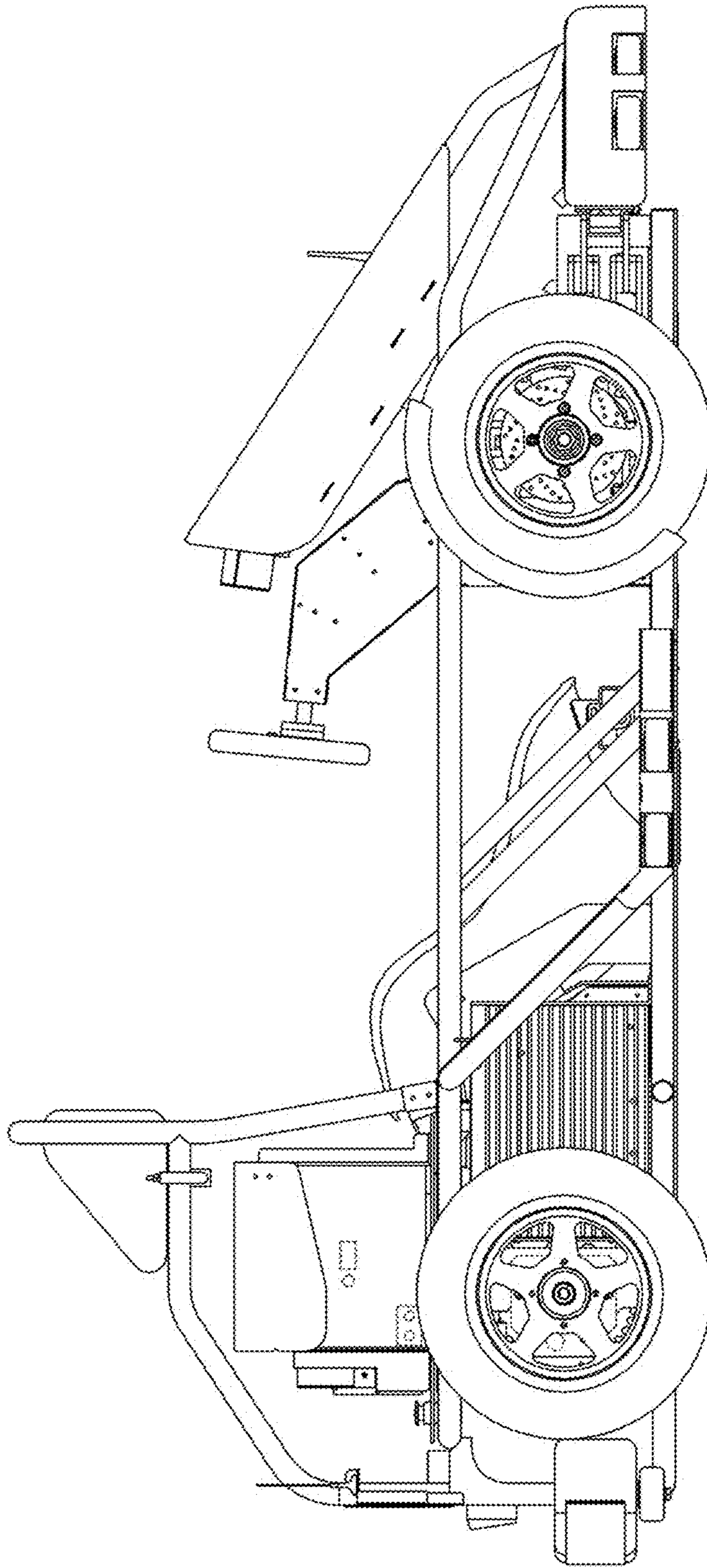
1.4



1.5



1.6



1.7

