



US00D923512S

(12) **United States Design Patent**  
**Mouquet**

(10) **Patent No.:** **US D923,512 S**  
(45) **Date of Patent:** **\*\* Jun. 29, 2021**

(54) **BELT BUCKLE**  
(71) Applicant: **HERMES SELLIER (Société par actions simplifiée)**, Paris (FR)  
(72) Inventor: **Philippe Mouquet**, Paris (FR)  
(\*\*) Term: **15 Years**  
(21) Appl. No.: **35/509,646**  
(22) Filed: **Dec. 19, 2019**  
(80) **Hague Agreement Data**  
Int. Filing Date: **Dec. 19, 2019**  
Int. Reg. No.: **DM/205973**  
Int. Reg. Date: **Dec. 19, 2019**  
Int. Reg. Pub. Date: **Jun. 19, 2020**

(30) **Foreign Application Priority Data**  
Jun. 21, 2019 (EM) ..... 006587028  
(51) **LOC (13) Cl.** ..... **02-07**  
(52) **U.S. Cl.**  
USPC ..... **D11/231**  
(58) **Field of Classification Search**  
USPC ..... D2/627-638, 639, 929, 930, 931, 932, D2/933, 934, 946, 976; D10/200, 201, D10/202, 203, 204, 206, 212, 216, 218, D10/220, 229, 230, 231, 232, 233, 234, D10/237, 238, 239; D11/7, 3, 87  
CPC ..... A41D 25/008; G02C 3/003; F16G 11/101; F16G 11/106; F16G 11/10; F16G 11/14; A43C 7/00; A44B 6/00; A44B 11/001; A44B 11/006; A44B 11/005; A44B 11/00; A44B 11/20; A45F 2005/00; A45F 2200/055  
See application file for complete search history.

(56) **References Cited**  
**U.S. PATENT DOCUMENTS**  
D42,044 S \* 12/1911 Haimovitz ..... D11/232  
1,326,639 A \* 12/1919 Borchers ..... A44B 11/001  
40/640

1,438,550 A \* 12/1922 Pollak ..... G09F 7/02  
40/618  
1,449,189 A \* 3/1923 Peterson ..... A44B 11/24  
24/175  
1,491,428 A \* 4/1924 Starmer ..... A44B 11/28  
24/320  
1,654,805 A \* 1/1928 Hamric ..... A44B 11/223  
24/180  
1,767,608 A \* 6/1930 Murphy ..... A44B 11/24  
24/163 R  
2,405,271 A \* 8/1946 Siegel ..... A44B 11/00  
24/307  
3,150,427 A \* 9/1964 Rossi ..... A44B 11/24  
24/163 R

(Continued)

**OTHER PUBLICATIONS**

The Chic Selection Hermes Reversible, no date available, [online], [site visited Feb. 13, 2021], Retrieved from url:https://www.thechicselection.com/accessories/hermes/reversible-vintage-black-beige-belt-gold-buckle-tcs1000553 (Year: 2021).\*

(Continued)

*Primary Examiner* — Michelle E. Wilson  
*Assistant Examiner* — Tracey J Bell

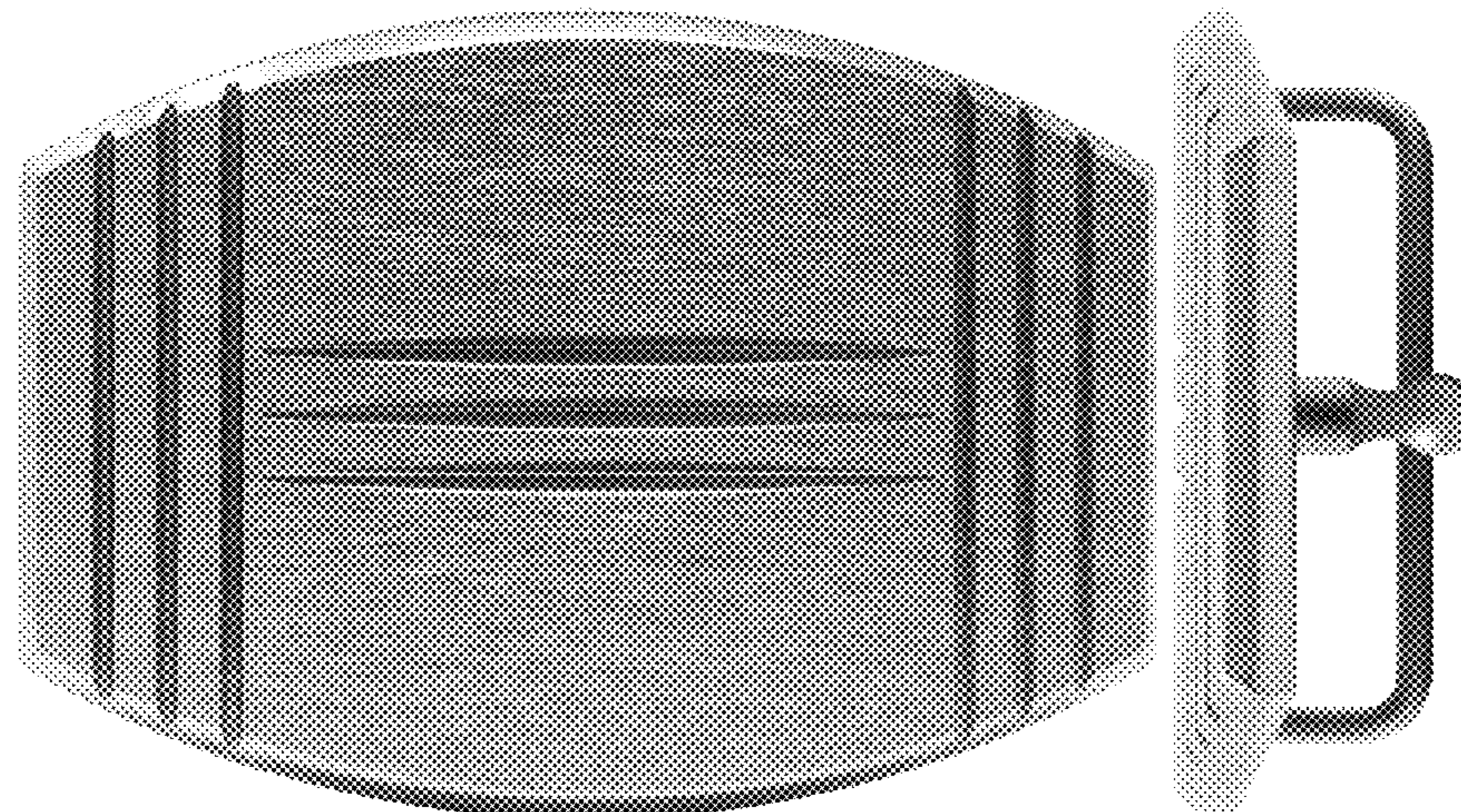
(57) **CLAIM**

The ornamental design for a belt buckle, as shown and described.

**DESCRIPTION**

- 1. Belt buckle
- 1.1 : Perspective
- 1.2 : Front
- 1.3 : Back
- 1.4 : Right
- 1.5 : Left
- 1.6 : Top
- 1.7 : Bottom

**1 Claim, 7 Drawing Sheets**



(56)

**References Cited**

U.S. PATENT DOCUMENTS

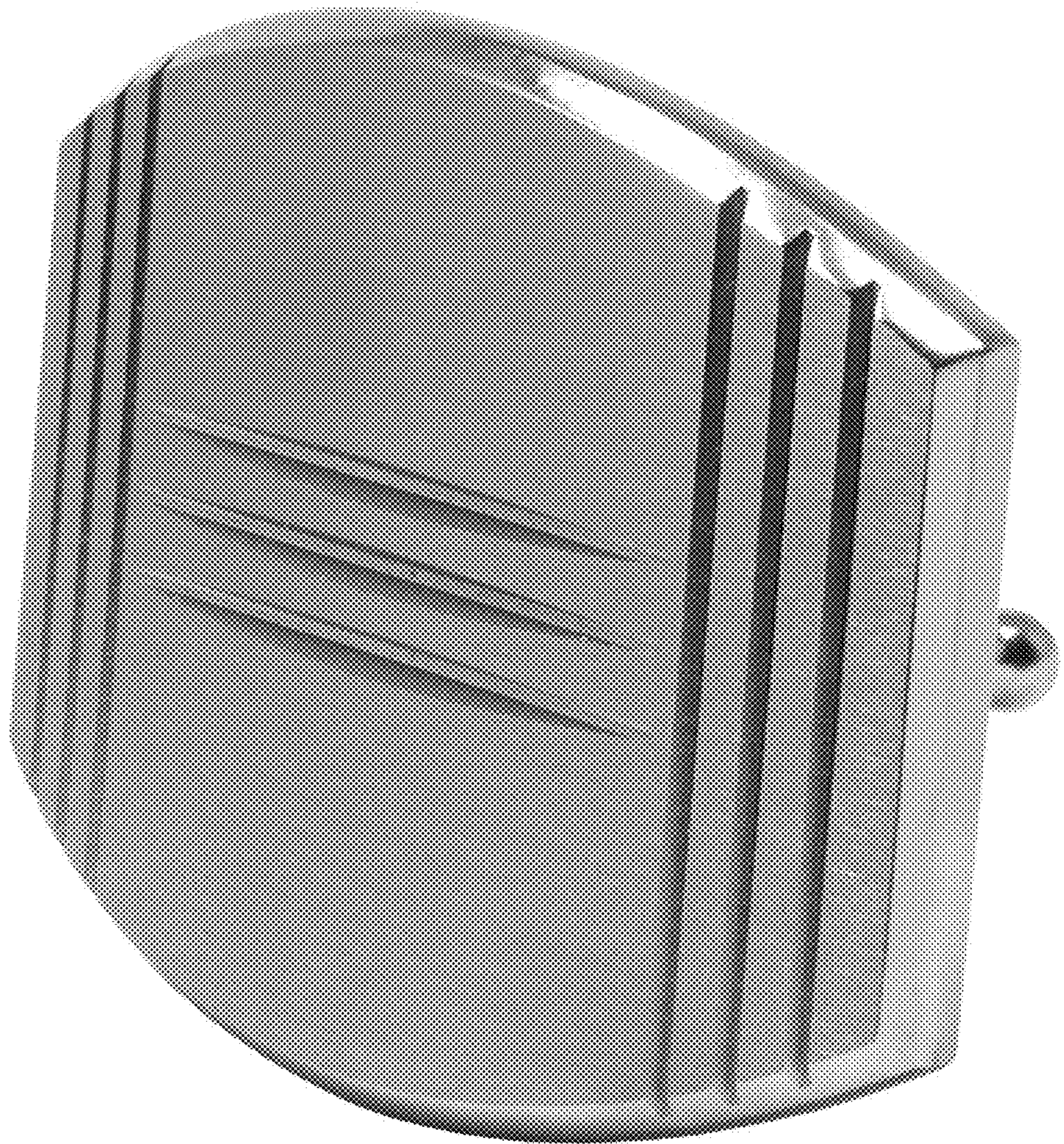
D258,700 S \* 3/1981 Fletcher ..... D11/218  
D474,119 S \* 5/2003 Mouquet ..... D10/18  
D856,846 S \* 8/2019 Mouquet ..... D11/231  
2007/0257073 A1 \* 11/2007 Konstantin ..... A44B 11/005  
224/232

OTHER PUBLICATIONS

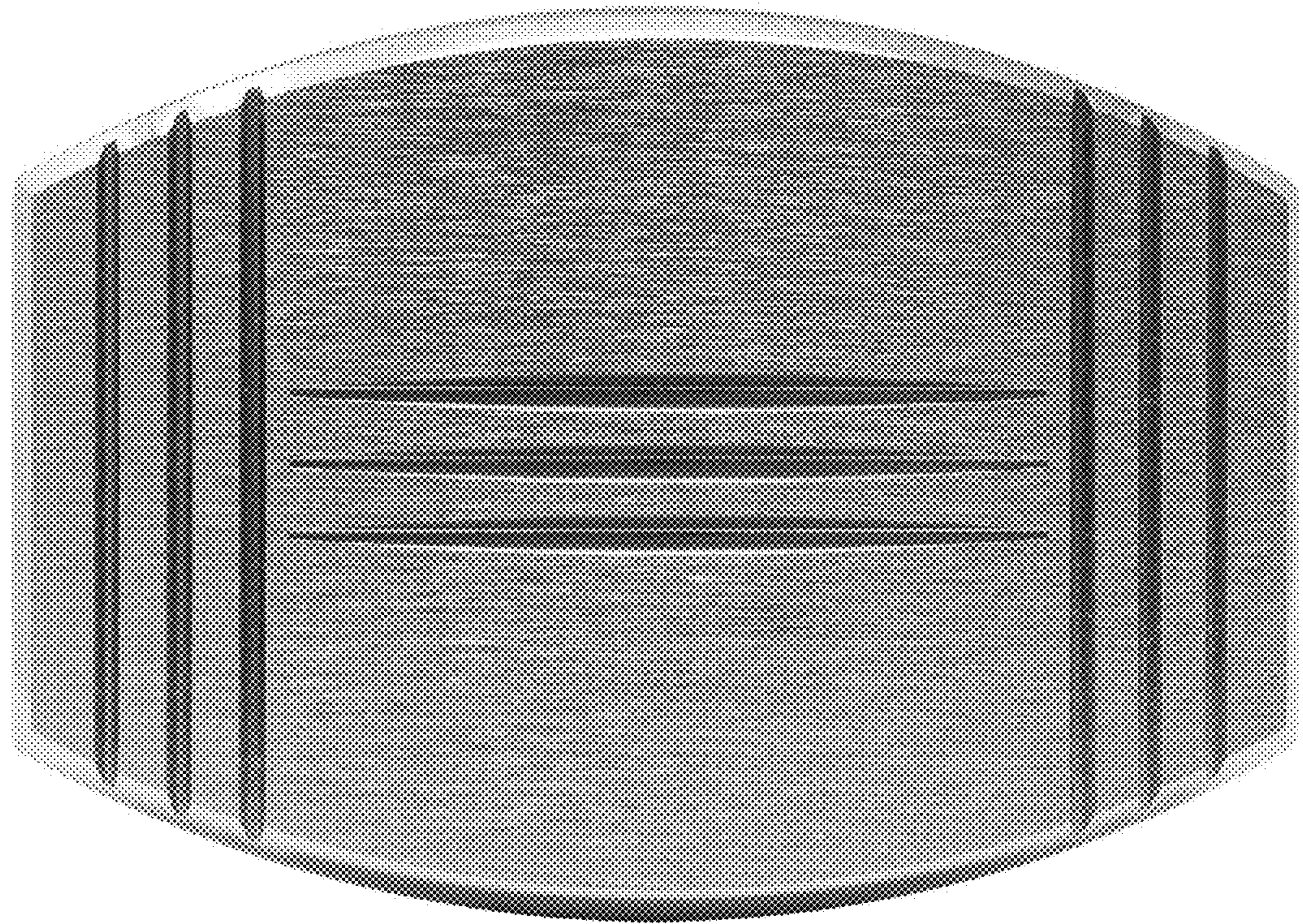
Carousell Hermes Silver Belt Buckle, no date available, [online],  
[site visited Feb. 13, 2021], Retrieved from url:[https://www.carousell.  
sg/p/hermes-silver-belt-buckle-for-32mm-belt-belt-not-included-  
201499413/\(Year: 2021\).](https://www.carousell.sg/p/hermes-silver-belt-buckle-for-32mm-belt-belt-not-included-201499413/(Year: 2021).)\*

\* cited by examiner

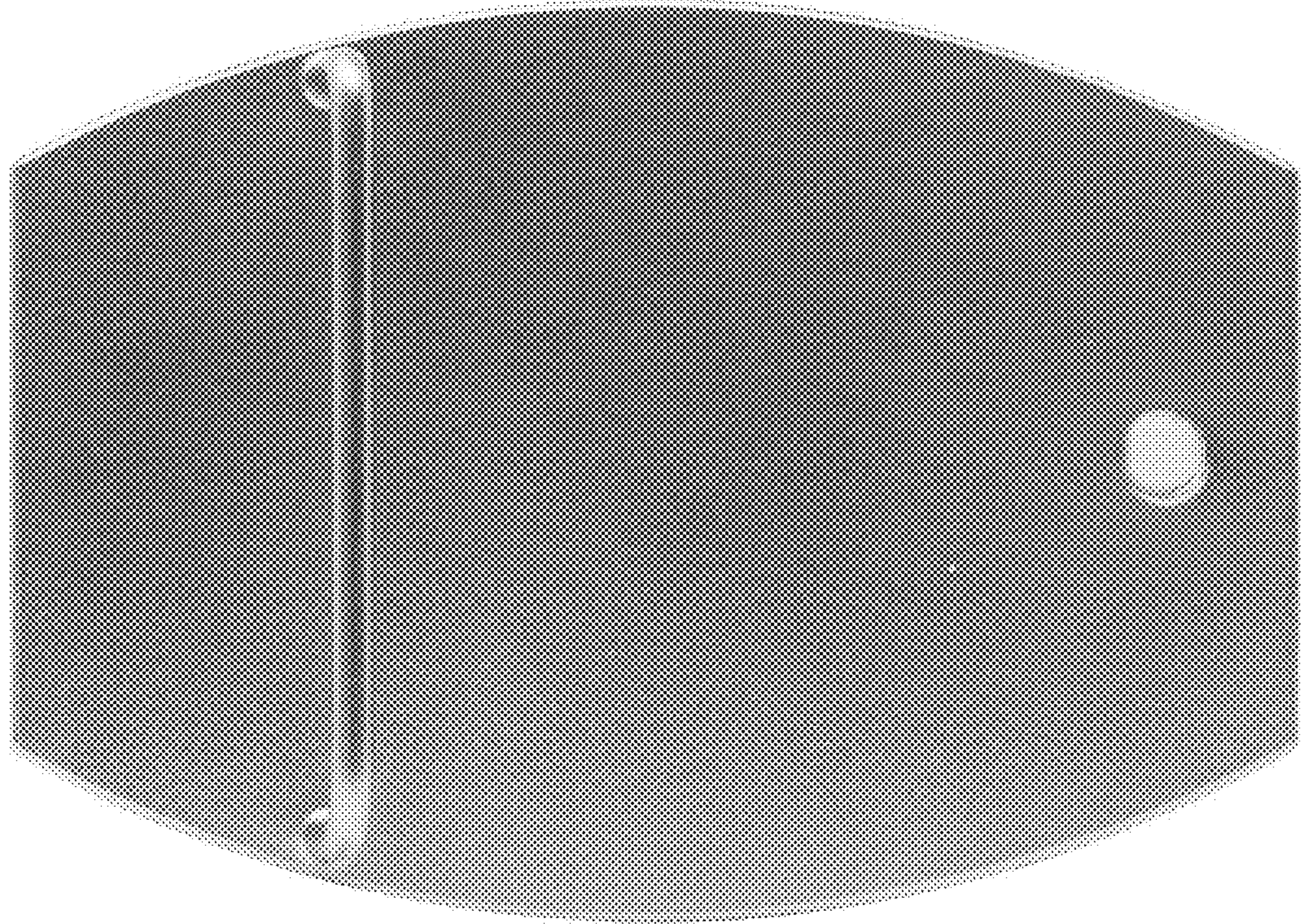
1.1



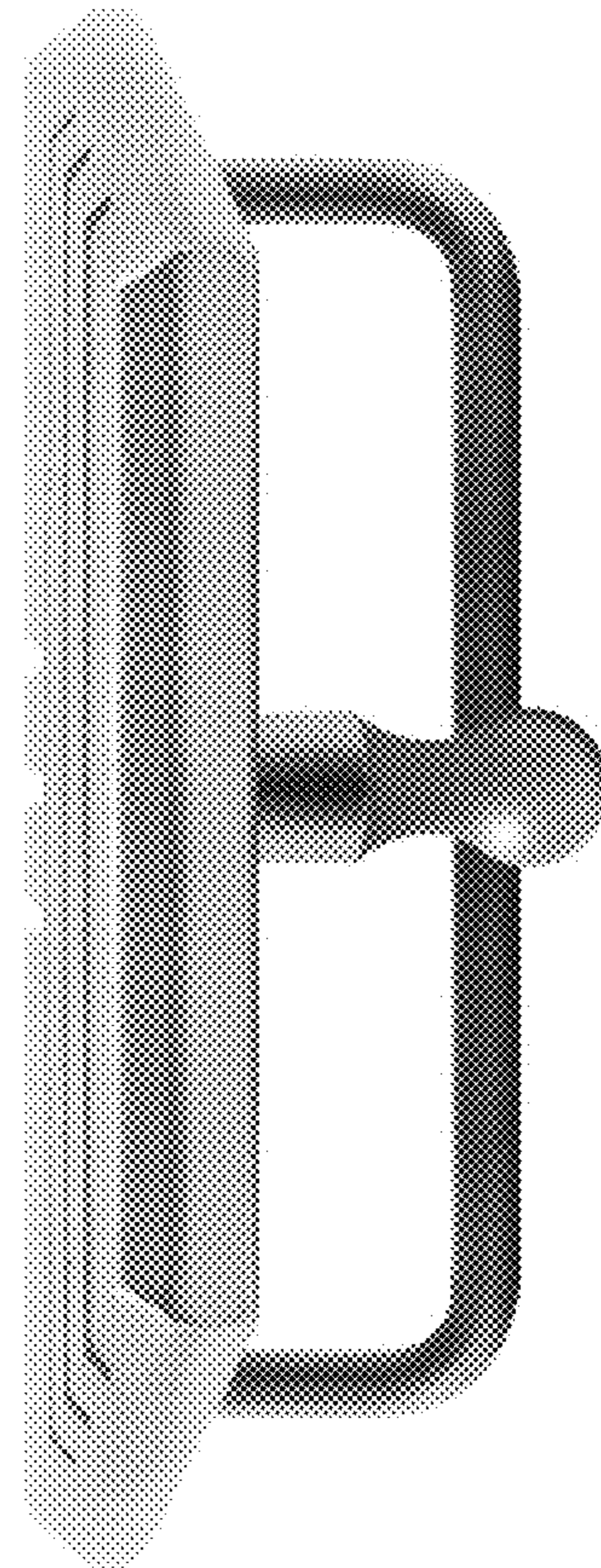
1.2



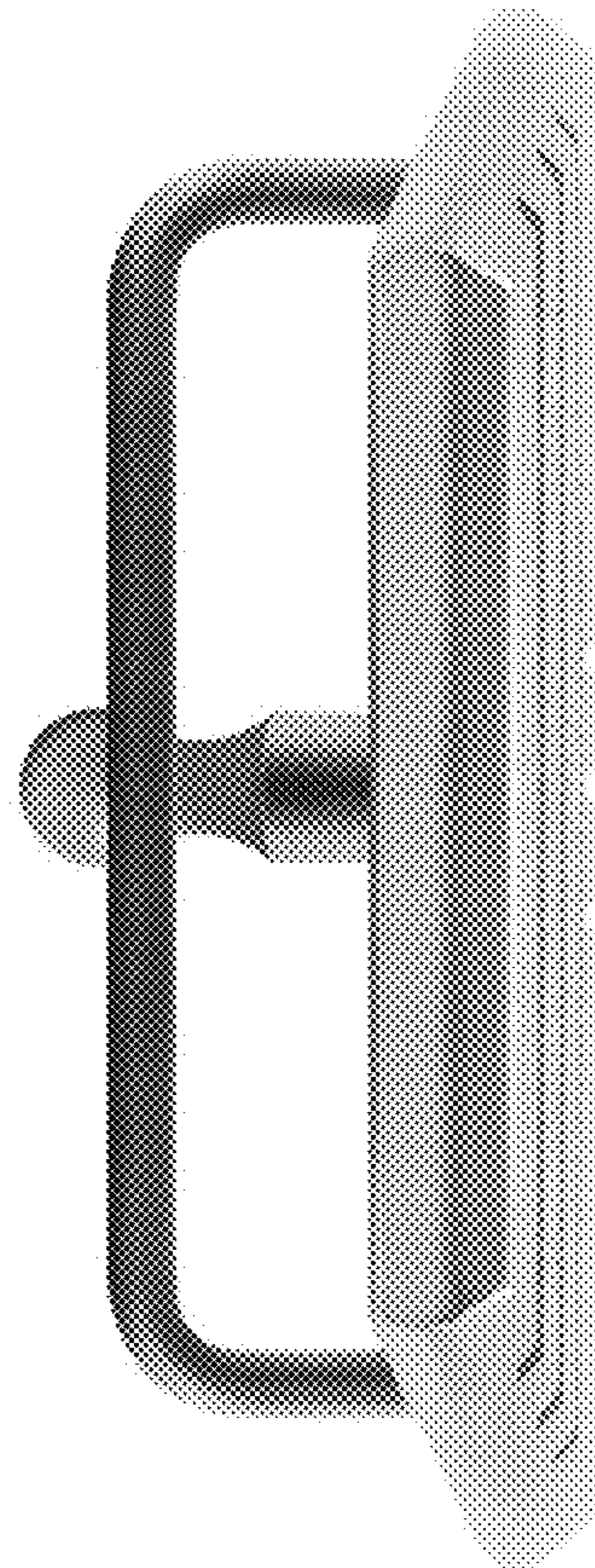
1.3



1.4



1.5



1.6





1.7

