



US00D923510S

(12) **United States Design Patent**
Hellsten

(10) **Patent No.:** **US D923,510 S**
(45) **Date of Patent:** **** Jun. 29, 2021**

(54) **BUCKLE**
(71) Applicant: **Easyrig AB**, Umea (SE)
(72) Inventor: **Johan Hellsten**, Umea (SE)
(**) Term: **15 Years**
(21) Appl. No.: **35/509,186**
(22) Filed: **Mar. 25, 2020**
(80) **Hague Agreement Data**
Int. Filing Date: **Mar. 25, 2020**
Int. Reg. No.: **DM/207260**
Int. Reg. Date: **Mar. 25, 2020**
Int. Reg. Pub. Date: **Apr. 24, 2020**

5,852,852 A * 12/1998 Rigal A63C 10/06
24/68 R
D419,861 S * 2/2000 Khokhar D8/396
D422,487 S * 4/2000 Khokhar D8/396
6,219,889 B1 * 4/2001 Lovato A44B 11/12
24/170
6,374,464 B1 * 4/2002 Lai A43C 11/1406
24/68 SK
D469,383 S * 1/2003 Young D11/200
6,554,297 B2 * 4/2003 Phillips A43C 11/1413
24/68 SK
D616,181 S * 5/2010 Harada D2/891
8,146,211 B2 * 4/2012 Shirai A41F 1/008
24/16 PB
8,627,551 B2 * 1/2014 Tseng A41F 1/02
24/68 SK
D799,125 S * 10/2017 Bolinger D30/155
D813,493 S * 3/2018 Linsell D2/637

(Continued)

(51) **LOC (13) Cl.** **02-07**
(52) **U.S. Cl.**
USPC **D11/215**
(58) **Field of Classification Search**
USPC D11/200–232; D2/627, 639, 628, 629,
D2/630, 631, 632, 633, 634, 635, 636,
D2/637, 638, 946, 976; D8/394–396;
D16/219, 237, 242, 250
CPC A44B 11/22; A44B 11/00; A44B 11/001;
A44B 11/24; A44B 11/12; A44B 11/06;
A44B 9/16; B65D 63/16; B65D 63/1072;
F16L 33/04; F16L 33/08; F16L 33/035;
A43C 11/14; A43C 11/1413; A43C
11/1466; A41F 1/00; A41F 1/008
See application file for complete search history.

OTHER PUBLICATIONS

[Online] "Strap for Easylock" <https://easyrig.se/spare-parts/strap-for-easylock/>. Retrieved Apr. 10, 2021.*
(Continued)

Primary Examiner — Melanie Pellegrini

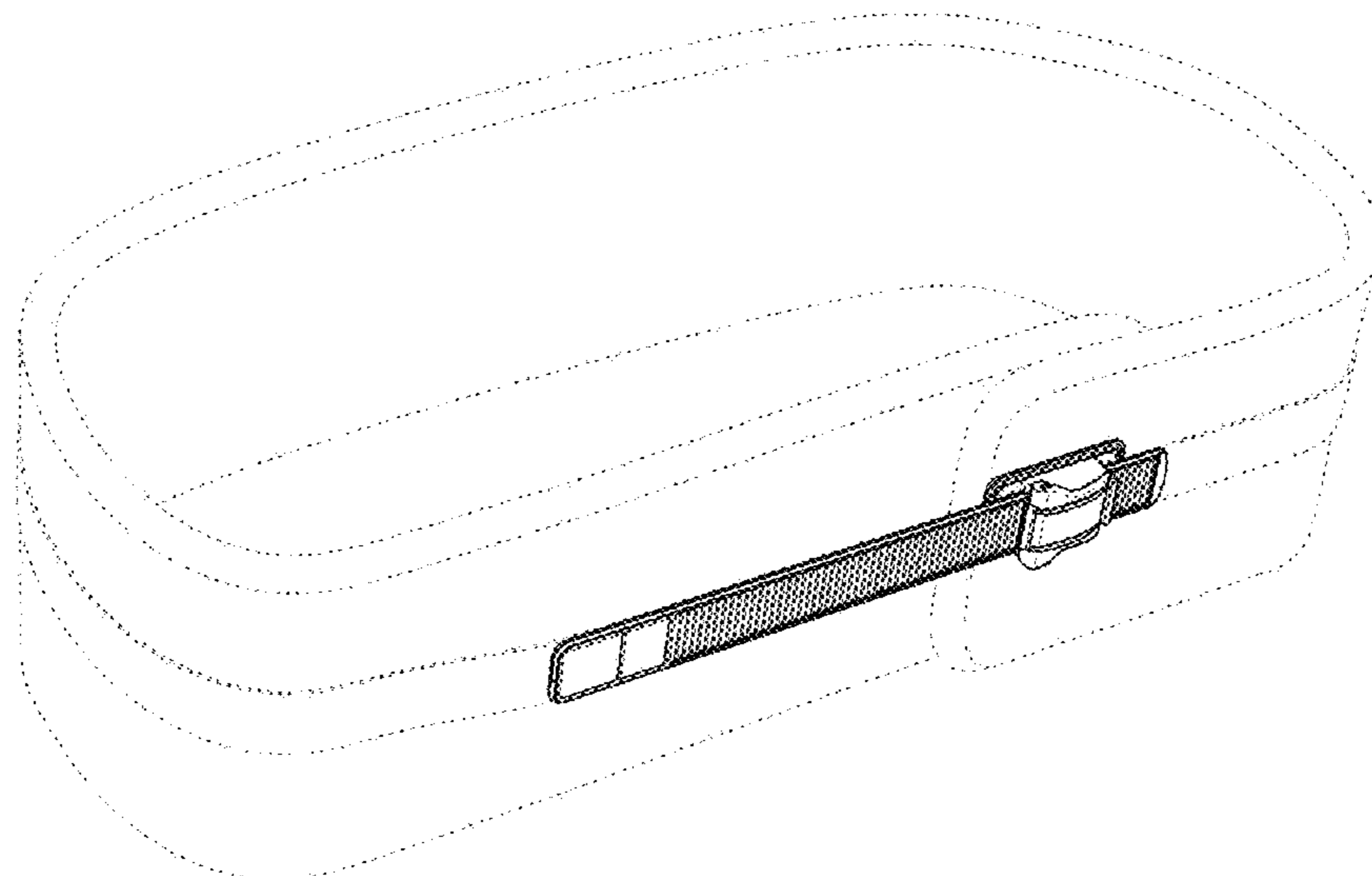
(57) **CLAIM**
The ornamental design for a buckle, as shown and described.

DESCRIPTION

1. Buckle
1.1 : Perspective
1.2 : Front
1.3 : Top
1.4 : Bottom
1.5 : Right
1.6 : Left
1.7 : Back
The parts shown with dotted lines do not form part of the claimed design.

(56) **References Cited**
U.S. PATENT DOCUMENTS
2,689,998 A * 9/1954 O'Shei F16L 33/08
24/274 R
D230,951 S * 3/1974 Louie J. Marchese D8/396
3,900,923 A * 8/1975 Thomas B65D 63/1072
24/16 PB

1 Claim, 7 Drawing Sheets



(56)

References Cited

U.S. PATENT DOCUMENTS

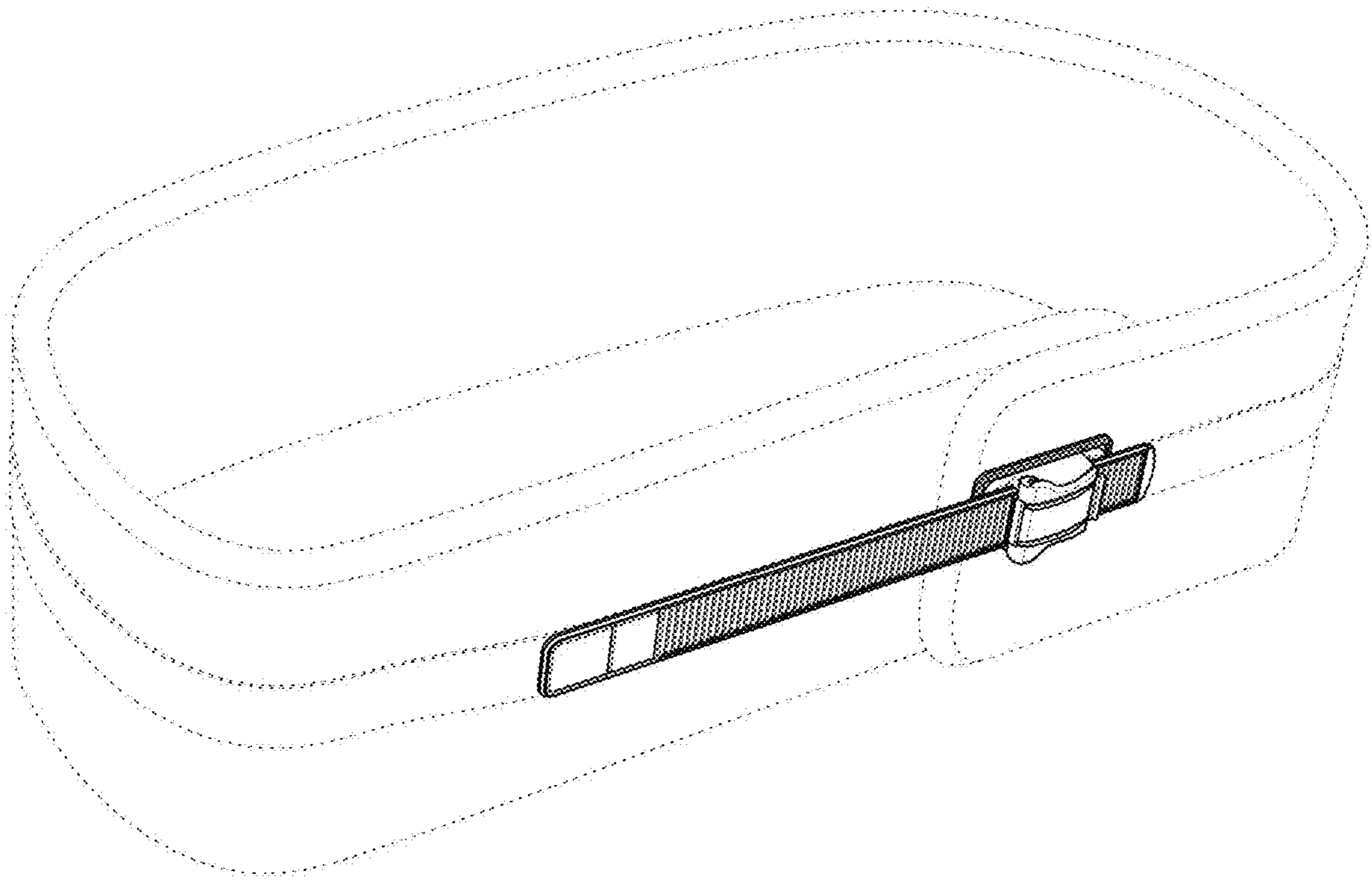
D825,752 S * 8/2018 Dimino D24/143
D883,854 S * 5/2020 Jin D11/200
2003/0029207 A1* 2/2003 Young E05B 37/14
70/18
2007/0266531 A1* 11/2007 Krisel B65D 63/1072
24/16 PB
2015/0330547 A1* 11/2015 Andersen F16L 33/035
24/274 R

OTHER PUBLICATIONS

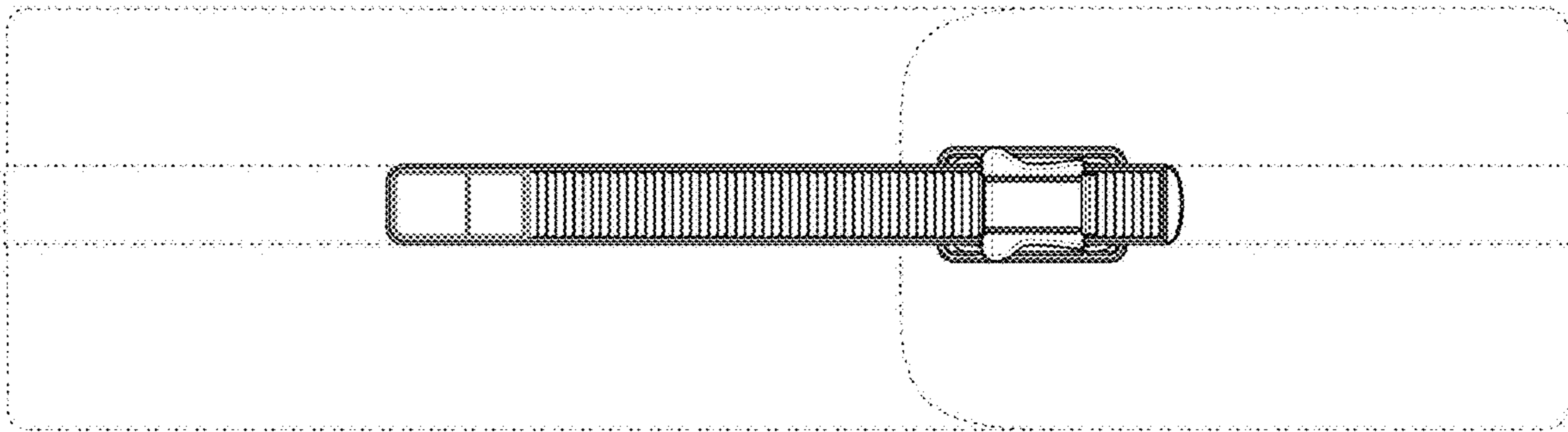
[Online] "Easylock" <https://easyrig.se/spare-parts/easylock/>. Retrieved
Apr. 10, 2021.*

* cited by examiner

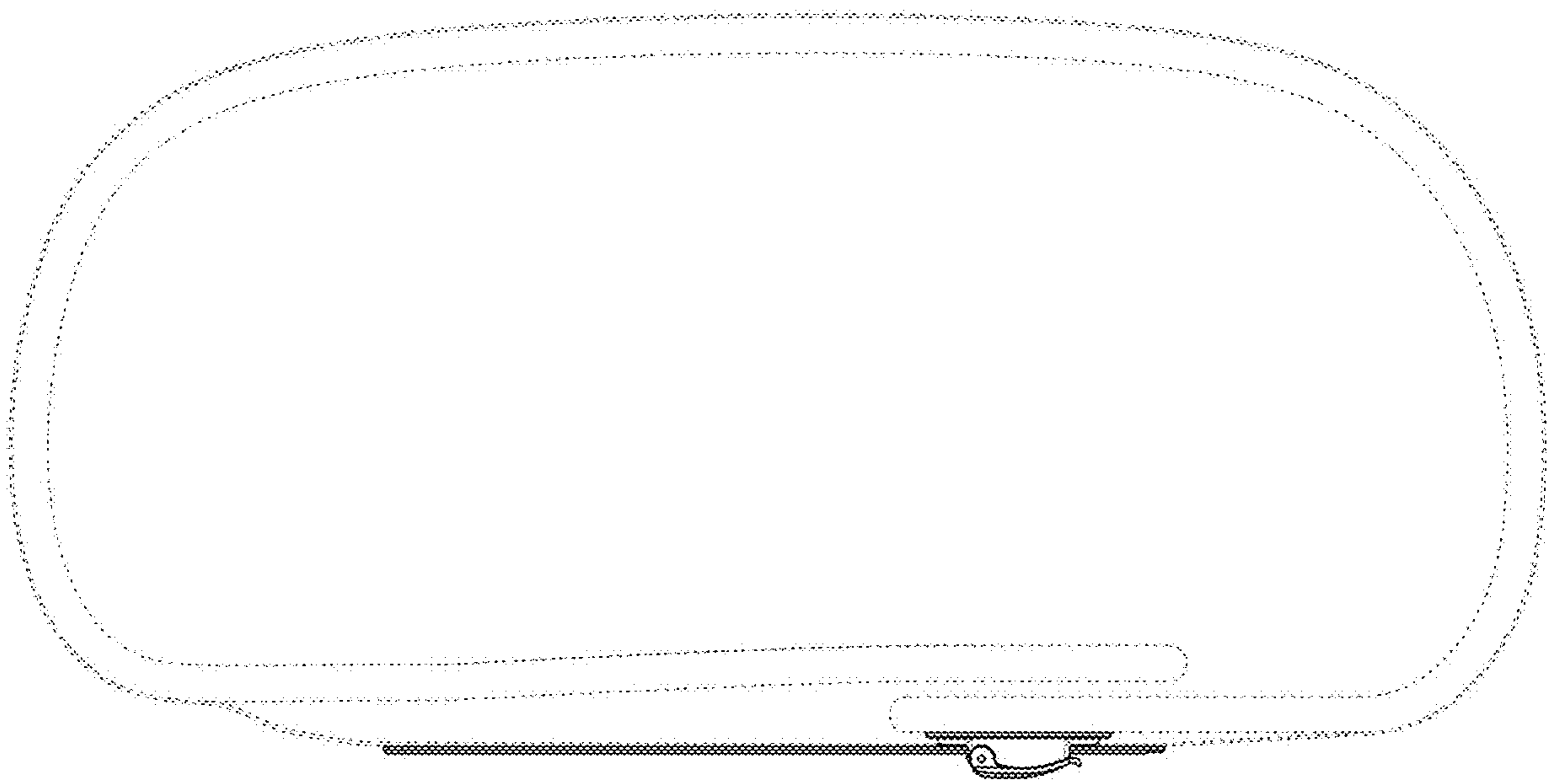
1.1



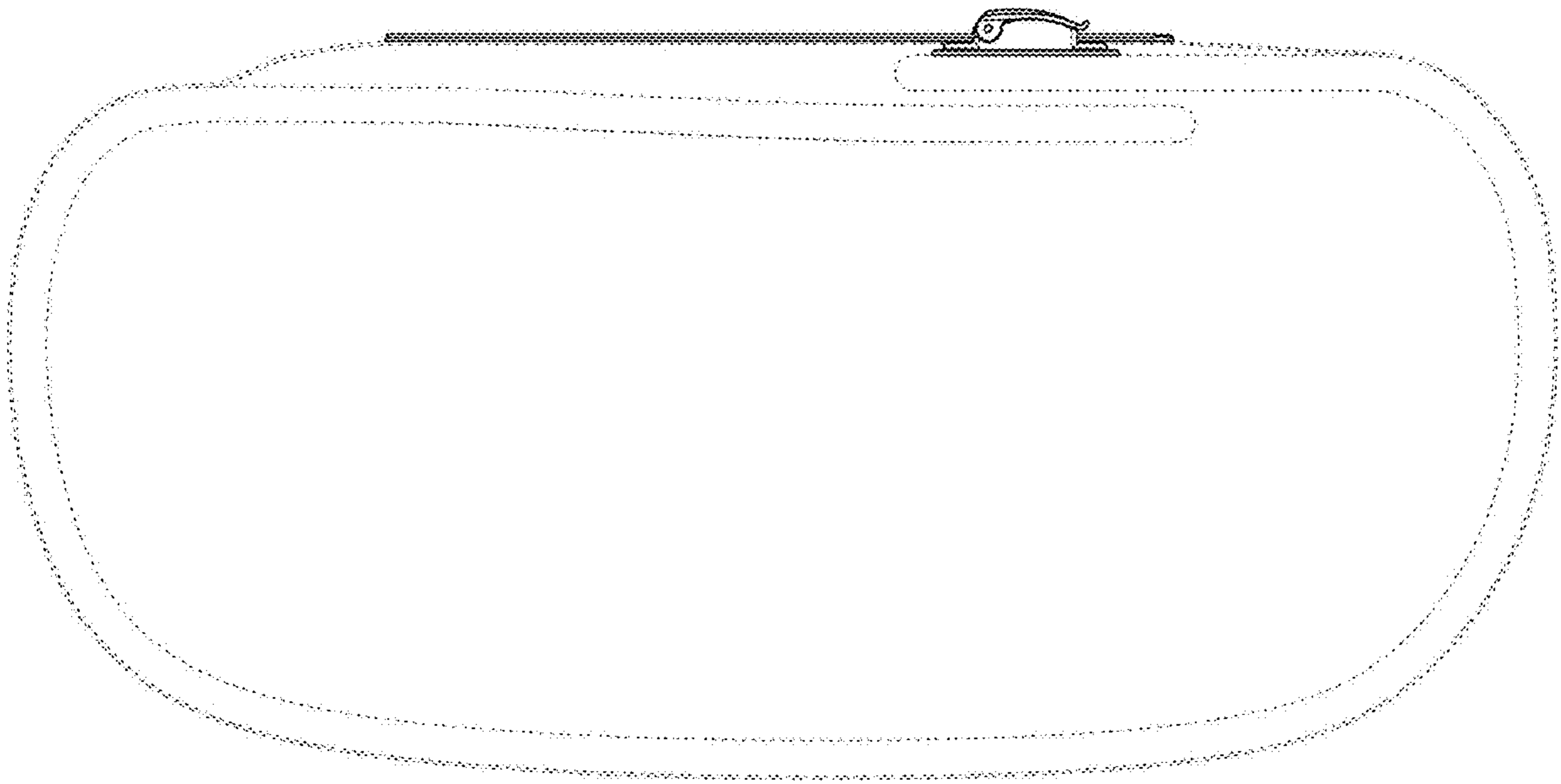
1.2



1.3



1.4



1.5



1.6



1.7

