



US00D923508S

(12) **United States Design Patent** (10) **Patent No.:** **US D923,508 S**
Liu (45) **Date of Patent:** **** Jun. 29, 2021**

(54) **FINGER RING**
(71) Applicant: **Yang Jack Liu**, Walnut, CA (US)
(72) Inventor: **Yang Jack Liu**, Walnut, CA (US)
(**) Term: **15 Years**
(21) Appl. No.: **29/647,448**
(22) Filed: **May 13, 2018**
(51) **LOC (13) Cl.** **11-01**
(52) **U.S. Cl.**
USPC **D11/34**
(58) **Field of Classification Search**
USPC D11/1-4, 26-39, 56, 91, 92
CPC A44C 9/00; A44C 9/0007; A44C 9/0015;
A44C 9/0023; A44C 9/003; A44C
9/0038; A44C 9/0046; A44C 9/0053;
A44C 9/0061; A44C 9/0069; A44C
9/0076; A44C 9/0092; A44C 9/02; A44C
17/02; A44C 17/0208; A44C 17/0216;
A44C 17/0225; A44C 17/0258; A44C
17/0266; A44C 17/0275; A44C 17/0283;
A44C 17/0291
See application file for complete search history.

D186,990 S * 1/1960 Berland D11/33
D235,466 S * 6/1975 Volkhausen D11/35
D654,390 S * 2/2012 Sivriere D11/26
D732,993 S * 6/2015 Shabot D11/1
D885,232 S * 5/2020 Liu D11/26

OTHER PUBLICATIONS

[Online] "Boruo 925 . . ." https://www.amazon.com/BORUO-Sterling-Zirconia-Infinity-Resistant/dp/B074M29Q1G/ref=sr_1_25?dchild=1&keywords=boruo%2B925&qid=1613147159&sr=8-25&th=1. Retrieved Feb. 11, 2021. First available online Jul. 22, 2017.*

* cited by examiner

Primary Examiner — Melanie Pellegrini
(74) *Attorney, Agent, or Firm* — Che-Yang Chen; Law Office of Michael Chen

(57) **CLAIM**

The ornamental design for a finger ring, as shown and described.

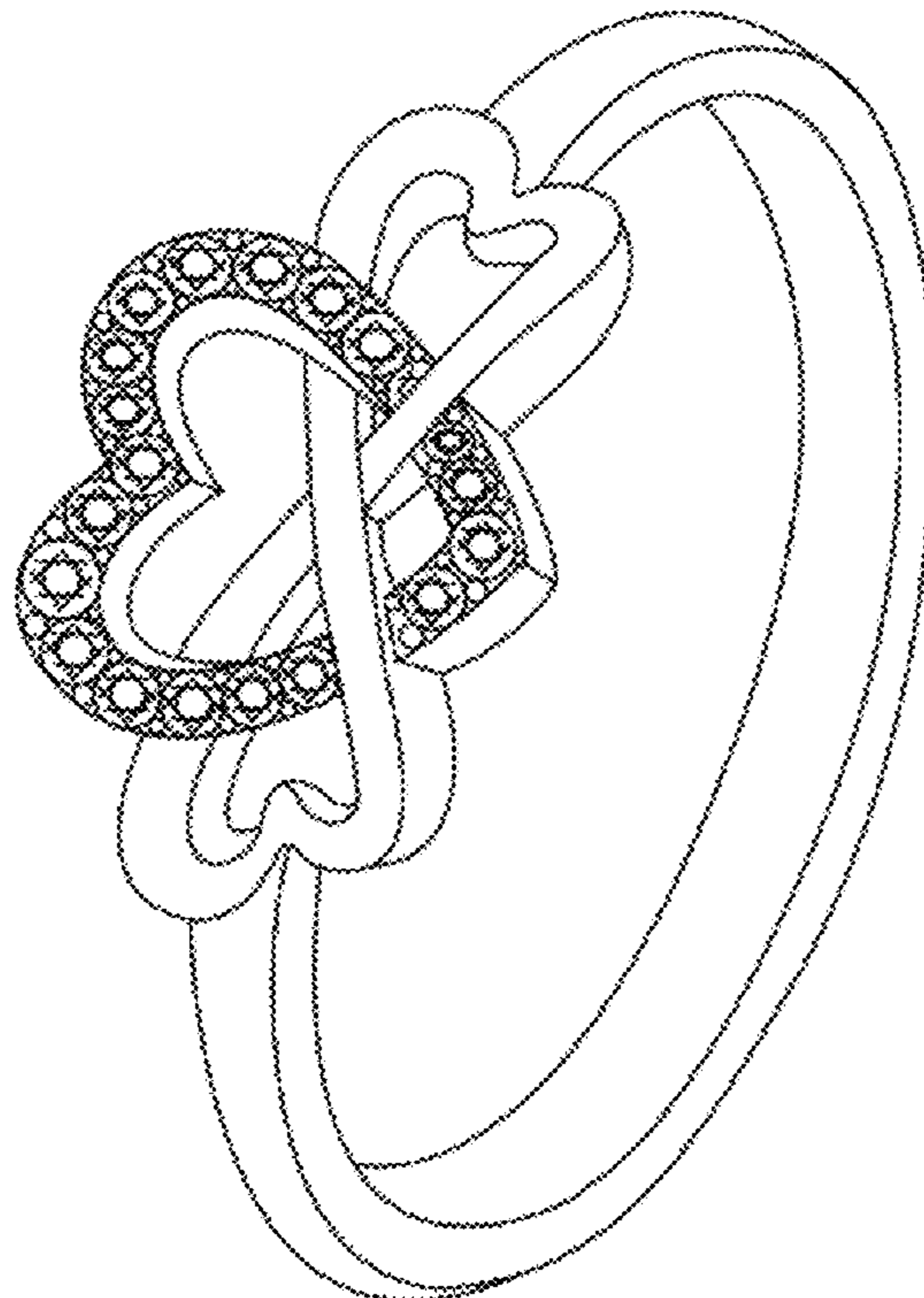
DESCRIPTION

FIG. 1 is a perspective view of a finger ring showing my new design;
FIG. 2 is a front elevational view thereof;
FIG. 3 is a rear elevational view thereof;
FIG. 4 is a left side elevational view thereof;
FIG. 5 is a right side elevational view thereof;
FIG. 6 is a top plan view thereof; and,
FIG. 7 is a bottom plan view thereof.

(56) **References Cited**
U.S. PATENT DOCUMENTS

D59,196 S * 10/1921 Cohn D11/35
D84,286 S * 6/1931 Gross D11/34
D144,918 S * 6/1946 Gantwarg D11/34
D165,558 S * 12/1951 Sorrentino D11/35
D181,452 S * 11/1957 Barbieri D11/36

1 Claim, 5 Drawing Sheets



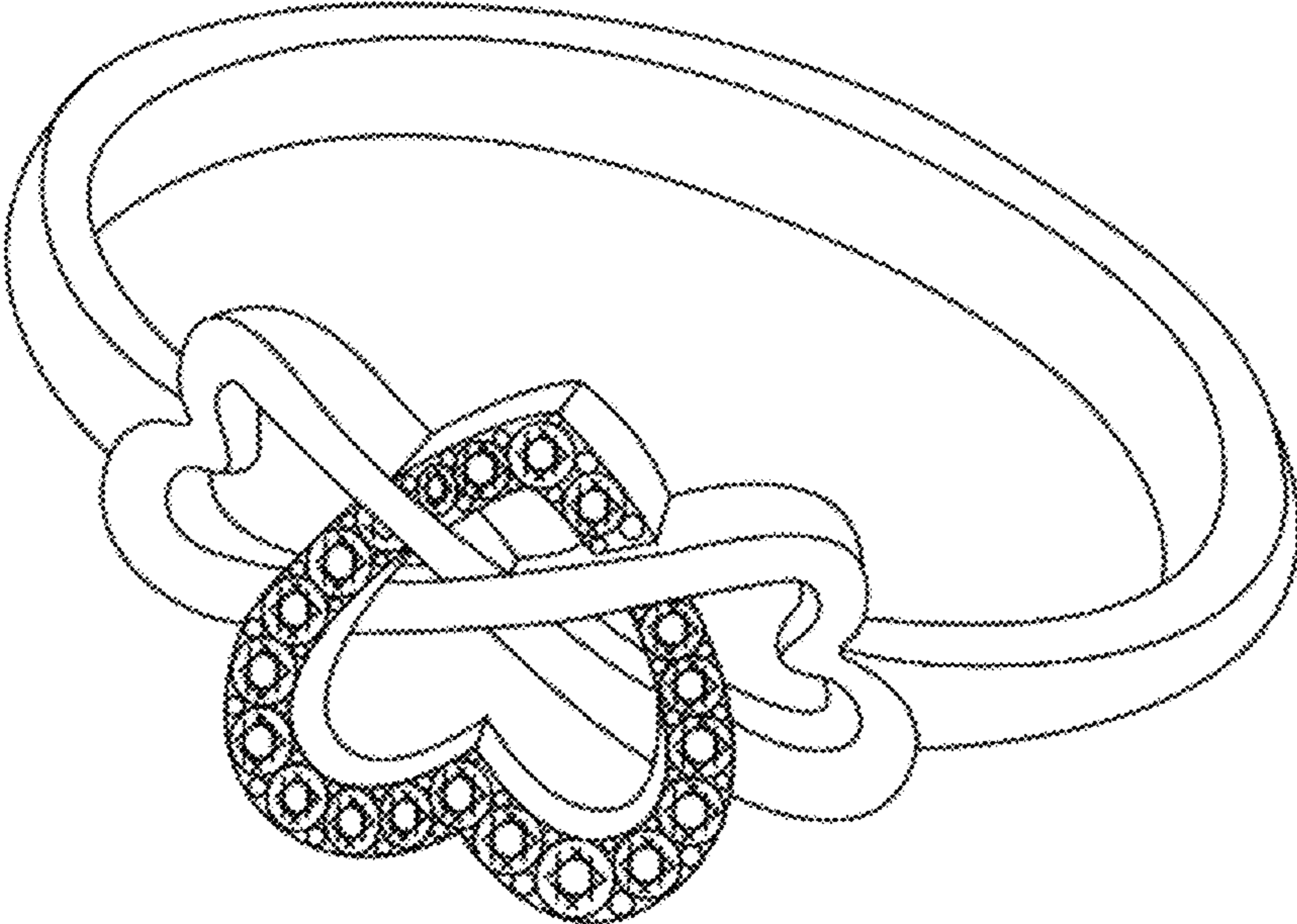


FIG. 1

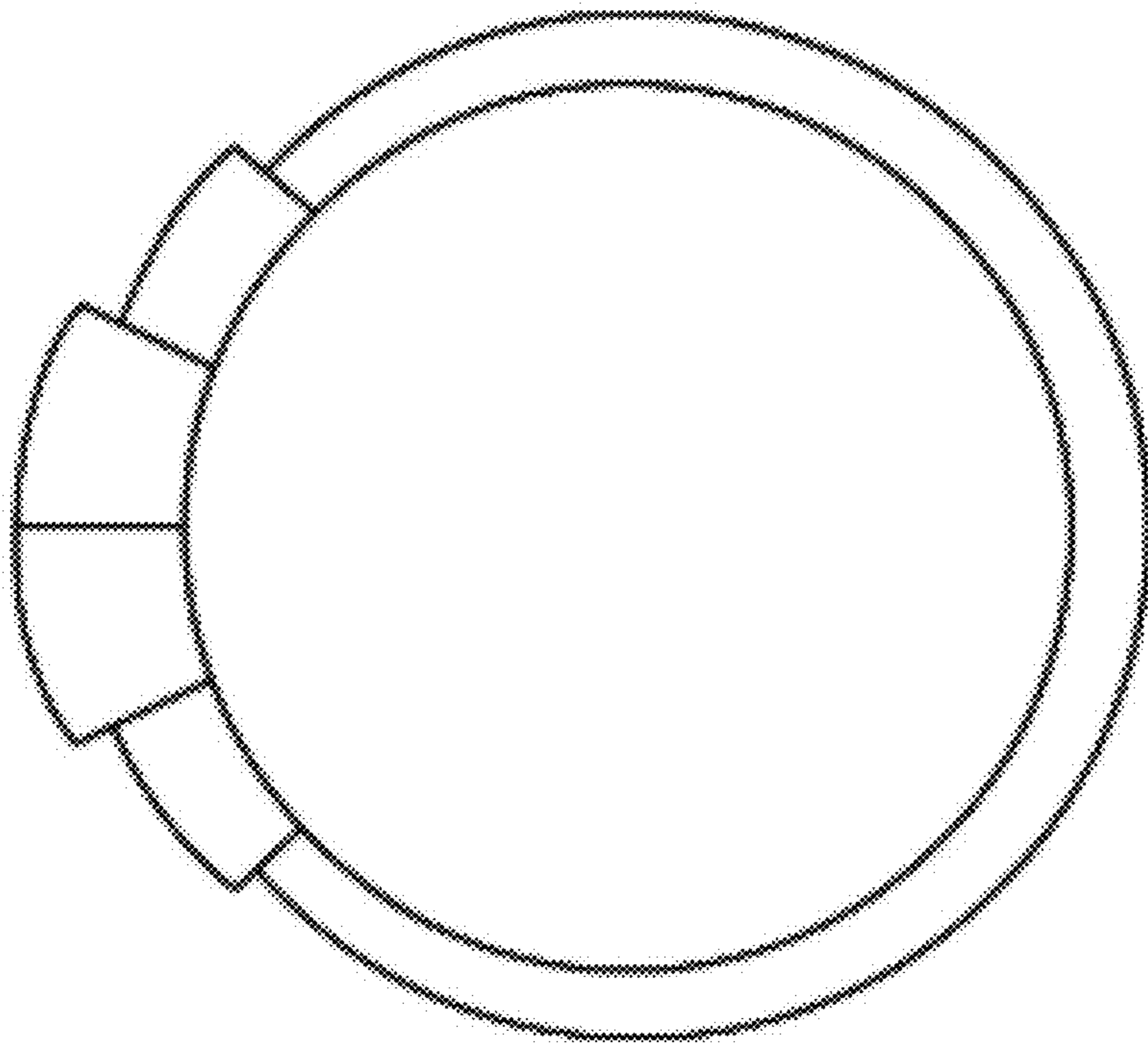


FIG. 2

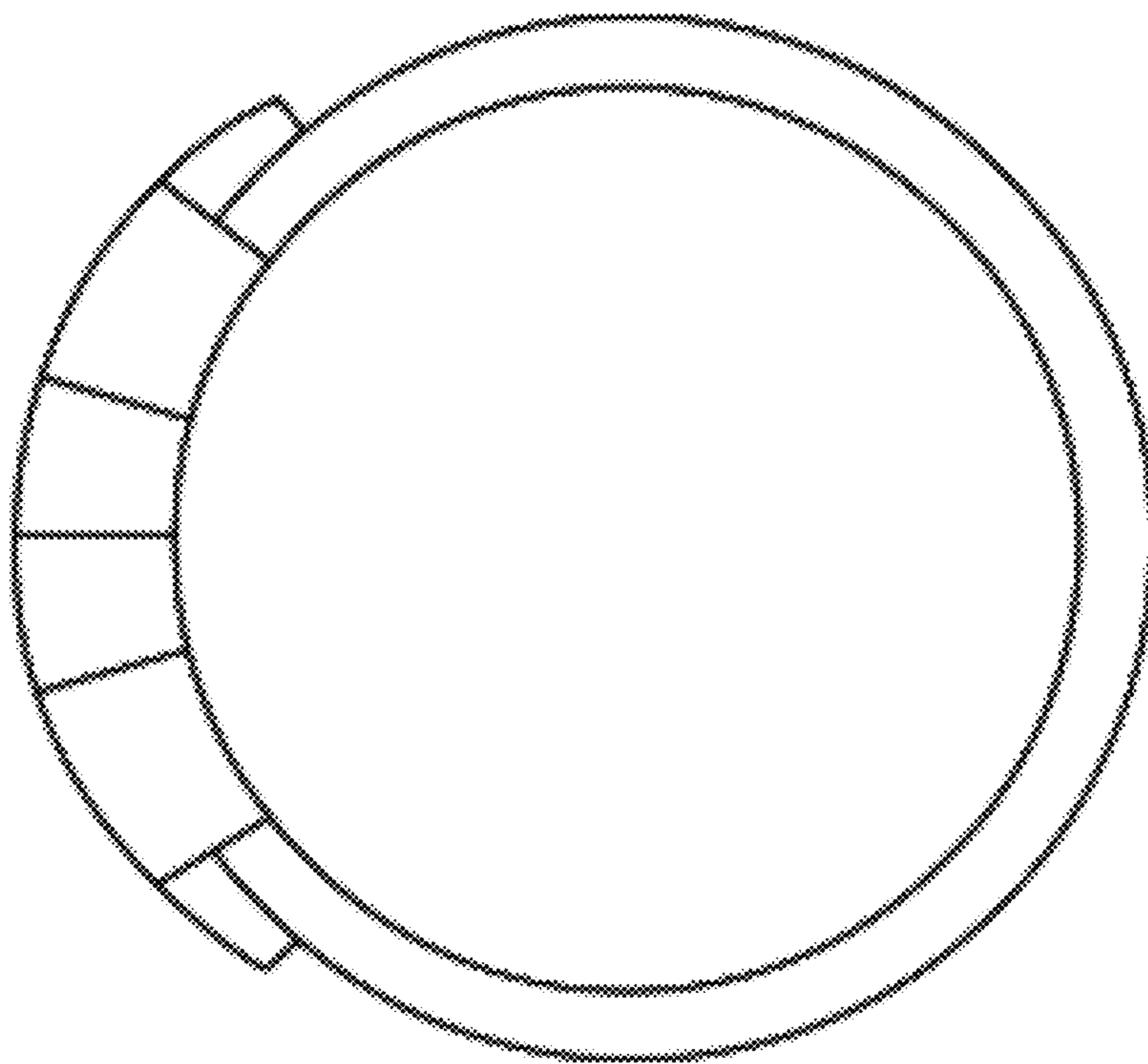


FIG. 3

FIG. 4

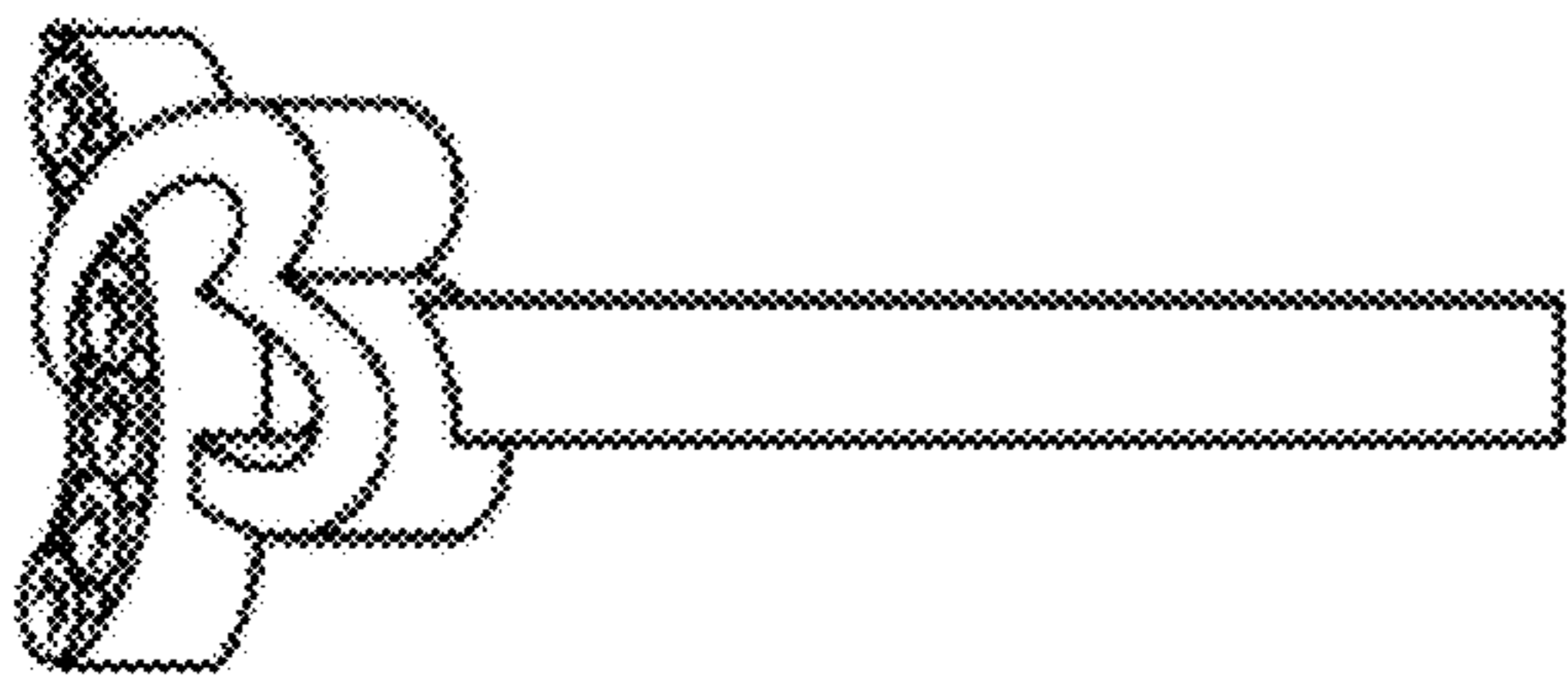
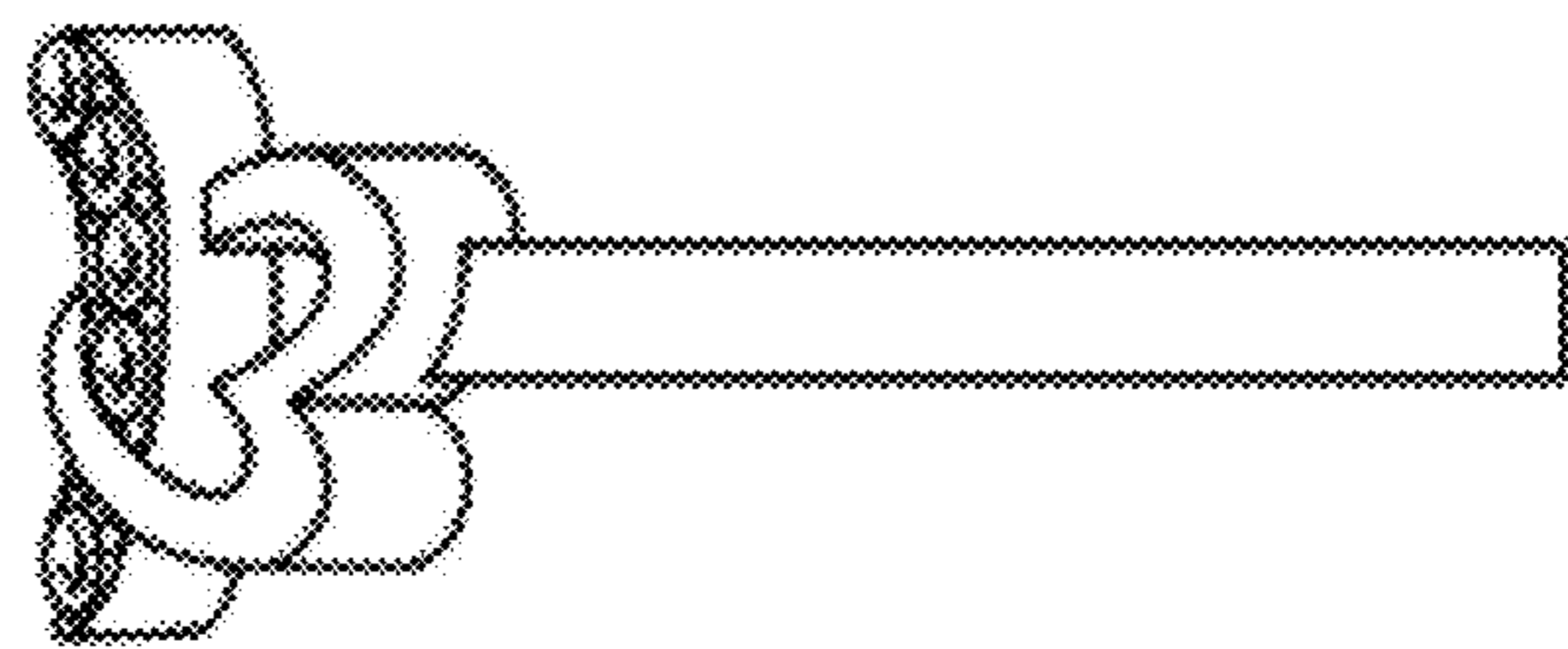


FIG. 5



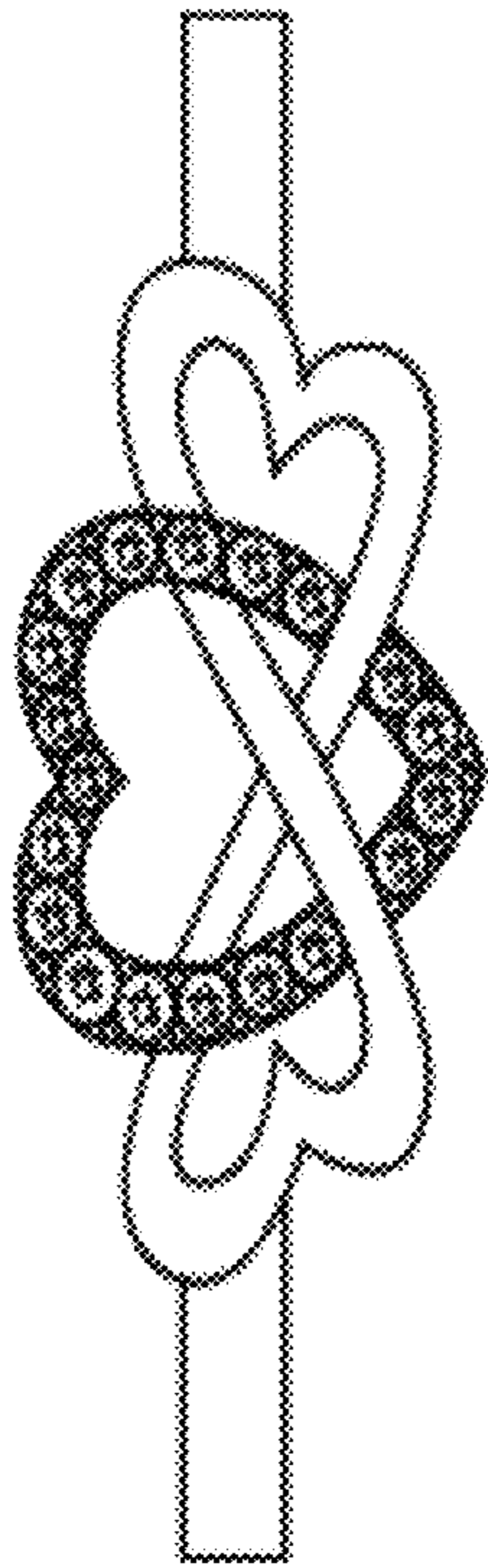


FIG. 6

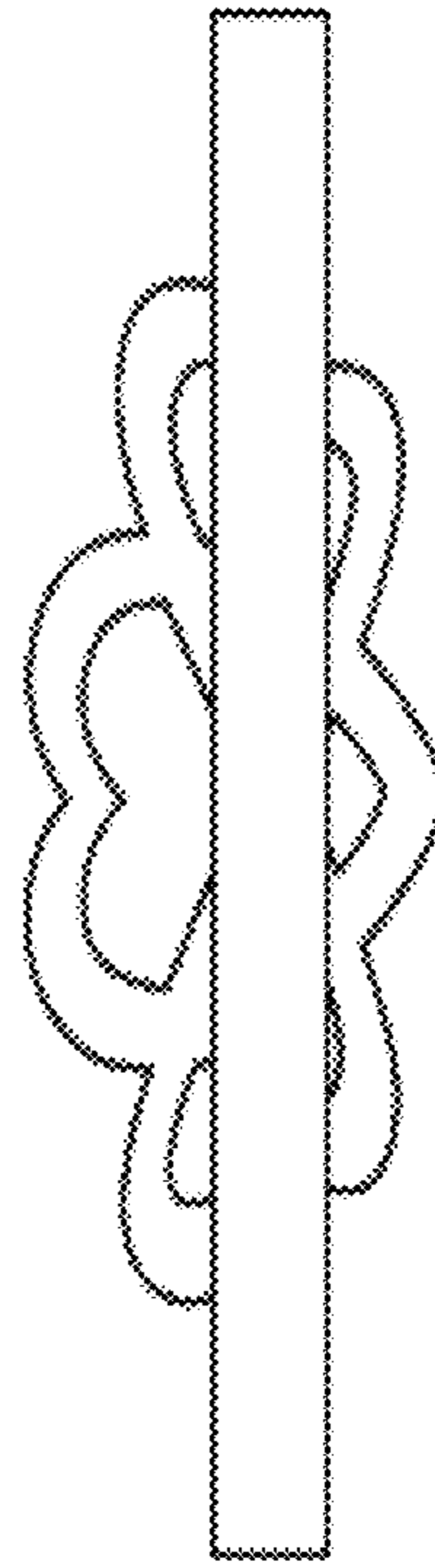


FIG. 7