



US00D923503S

(12) **United States Design Patent** (10) **Patent No.:** **US D923,503 S**  
**Sakata** (45) **Date of Patent:** **\*\* Jun. 29, 2021**

(54) **GLOBE FOR A WARNING LAMP**

FOREIGN PATENT DOCUMENTS

(71) Applicant: **Patlite Corporation**, Osaka (JP)

JP 752088 S 1/1989  
JP 753802 S 2/1989

(72) Inventor: **Yoshiko Sakata**, Osaka (JP)

(Continued)

(73) Assignee: **PATLITE CORPORATION**, Osaka (JP)

OTHER PUBLICATIONS

(\*\*) Term: **15 Years**

Catalogue LED Revolving Lamp/LED Flawing/Flashing Indicating Lamp (Dempa Shinbun, H11.12.15 P7), p. 3 (Japan Patent Office Design Division Publication Material No. HN12008778), Patlite Corporation, Revolving Indicating Lamp, Published in Japan, Japan Patent Office Acceptance date: Jul. 27, 2000.

(21) Appl. No.: **29/682,953**

(Continued)

(22) Filed: **Mar. 8, 2019**

(30) **Foreign Application Priority Data**

*Primary Examiner* — George D. Kirschbaum

Oct. 4, 2018 (JP) ..... 2018-021874  
Oct. 4, 2018 (JP) ..... 2018-021875  
Oct. 4, 2018 (JP) ..... 2018-021876  
Oct. 4, 2018 (JP) ..... 2018-021877  
Oct. 4, 2018 (JP) ..... 2018-021880  
Oct. 4, 2018 (JP) ..... 2018-021881

(74) *Attorney, Agent, or Firm* — Norton Rose Fulbright US LLP

(51) **LOC (13) Cl.** ..... **10-05**

(57) **CLAIM**

(52) **U.S. Cl.**  
USPC ..... **D10/114.1**

The ornamental design for a globe for a warning lamp, as shown and described.

(58) **Field of Classification Search**  
USPC ..... D10/114.1, 114.2, 114.8, 109.2, 109.1, D10/111; D14/140.6  
CPC ..... B64D 47/06; A63H 3/006; H05B 41/46; F21V 5/04  
See application file for complete search history.

**DESCRIPTION**

(56) **References Cited**

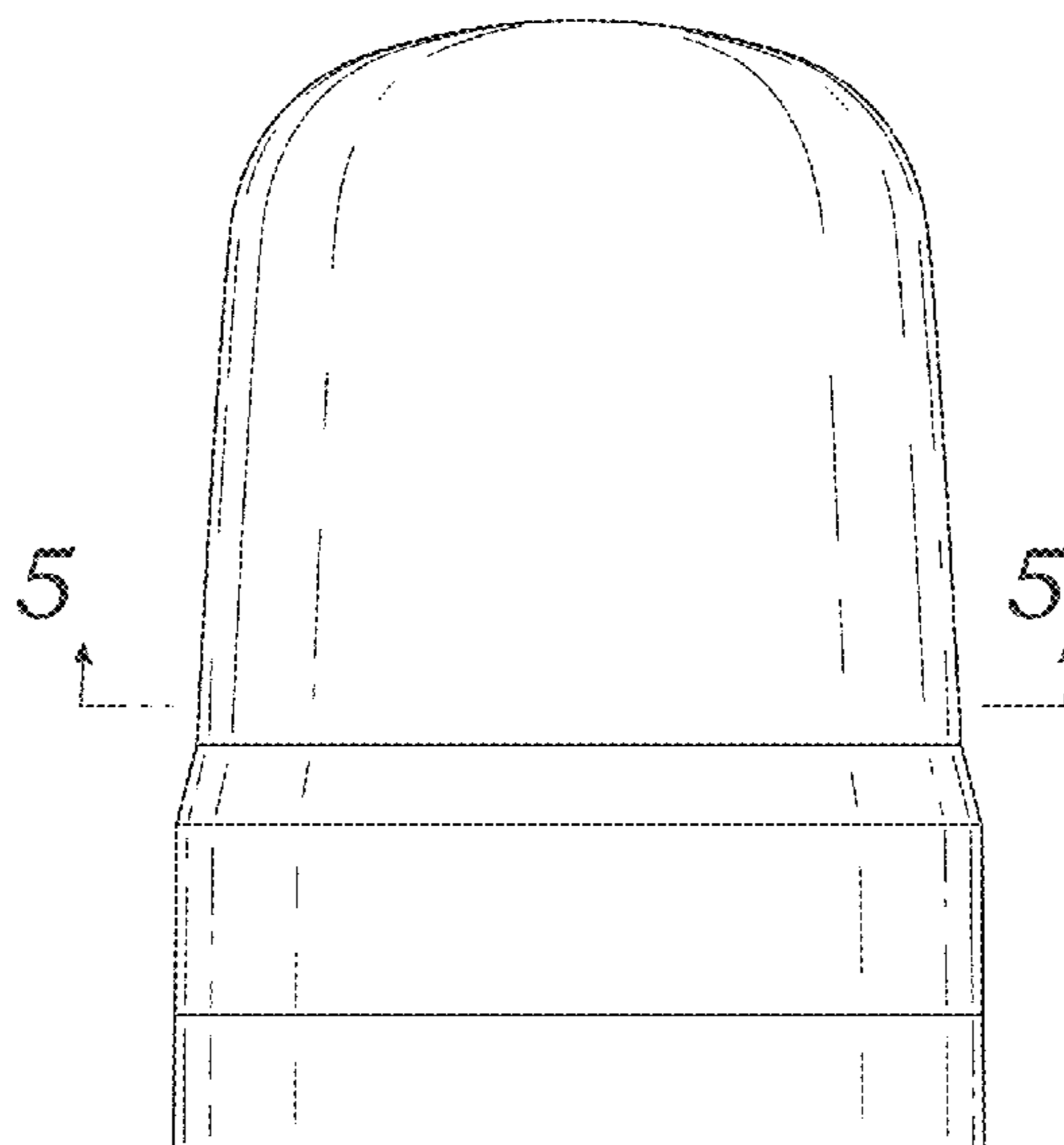
FIG. 1 is a front elevational view of a globe for a warning lamp of my new design, the rear elevational view, the right side elevational view and the left side elevational view being a mirror image of the front elevational view;  
FIG. 2 is a top plan view thereof;  
FIG. 3 is a bottom plan view thereof;  
FIG. 4 is a cross-sectional view taken along the lines 4-4 in FIG. 2;  
FIG. 5 is a cross-sectional view taken along the lines 5-5 in FIG. 1;  
FIG. 6 is a perspective view taken from the front, top and left side thereof;  
FIG. 7 is a perspective view taken from the rear, bottom and right side thereof; and,  
FIG. 8 is a reference illustration of the globe with the translucent portion indicated by inclined lines.

U.S. PATENT DOCUMENTS

D239,730 S \* 4/1976 McNair ..... D10/114.8  
D286,988 S \* 12/1986 Akiyama ..... D10/114.8  
D390,145 S 2/1998 Veates  
D441,346 S 5/2001 Bonn

(Continued)

**1 Claim, 4 Drawing Sheets**



(56)

References Cited

U.S. PATENT DOCUMENTS

D513,477	S *	1/2006	Heftman	.....	D10/111
D570,722	S *	6/2008	Taylor	.....	D10/114.8
D605,965	S *	12/2009	Jackson	.....	D10/109.1
D616,777	S *	6/2010	Jackson	.....	D10/114.8
D624,448	S *	9/2010	Jackson	.....	D10/114.8
D626,442	S *	11/2010	Jackson	.....	D10/114.8
D669,807	S *	10/2012	Stein	.....	D10/114.2
D684,078	S *	6/2013	Clifford	.....	D10/114.2
D701,466	S *	3/2014	Clifford	.....	D10/114.2
D709,782	S *	7/2014	Stuffle	.....	D10/114.1
D718,891	S	12/2014	Sawano et al.		
9,228,713	B2 *	1/2016	Skertich, Jr.	.....	F21V 5/04
D796,725	S *	9/2017	Recker	.....	D26/104
D867,319	S *	11/2019	Aaron	.....	D14/140.6
D868,017	S *	11/2019	Aaron	.....	D14/140.6
2002/0080023	A1 *	6/2002	DeMarco	.....	H05B 41/46 340/463
2002/0089854	A1 *	7/2002	Liu	.....	A63H 3/006 362/311.06
2005/0110649	A1 *	5/2005	Fredericks	.....	B64D 47/06 340/815.45

FOREIGN PATENT DOCUMENTS

JP	753802-1	S	12/1989
JP	897367	S	4/1994
JP	1266481	S	3/2006
JP	1266640	S	3/2006
JP	1272414	S	6/2006
JP	1317494	S	12/2007
JP	1317801	S	12/2007
JP	1461346	S	2/2013
JP	1489245	S	2/2014
JP	1558102	S	9/2016
JP	1558103	S	9/2016
JP	1558193	S	9/2016
JP	15577605	S	9/2016
KR	30-0728918	S	2/2014
TW	D157698	S	12/2013
TW	D174955	S	4/2016
TW	D182816	S	5/2017
TW	D192745	S	9/2018

OTHER PUBLICATIONS

Catalogue of revolving LED lamp of Kabushiki Kaisha Misumi (Japan Patent Office Design Division Publication Material No. HJ23014663), Published in Japan, Japan Patent Office Acceptance date: Jul. 22, 2011, Publication date: Jul. 15, 2011.

Catalogue of LED Rotating Beacon, Perm Mount, Class 2 of W. W. Grainger Inc. (Japan Patent Office Design Division Publication Material No. HJ25026152), Published in the U.S.A., Japan Patent Office Acceptance date: Aug. 2, 2013, Publication date: Jul. 9, 2013.

Catalogue of revolving lamp of Patlite Corporation (Japan Patent Office Design Division Publication Material No. HJ20000268), Published in Japan, Japan Patent Office Acceptance date: Apr. 25, 2008, Publication date: Apr. 22, 2008.

Catalogue of revolving warning lamp on Web page of Patlite Corporation (Japan Patent Office Design Division Publication Material No. HJ21005172), Published in Japan, Japan Patent Office Acceptance date: Jun. 5, 2009, Publication date: Jun. 1, 2009.

Catalogue of Revolving green light series for exclusively tractors, p. 3 (Japan Patent Office Design Division Publication Material No. HC09026569) of Patlite Corporation, Published in Japan, Japan Patent Office Acceptance date: Oct. 28, 1997.

Catalogue of Revolving green light series for exclusively tractors, p. 3, SKP (Japan Patent Office Design Division Publication Material No. HC09026571) of Patlite Corporation, Published in Japan, Japan Patent Office Acceptance date: Oct. 28, 1997.

List of standard stock products, Year 2016 Version, p. 1 (Japan Patent Office Design Division Publication Material No. HC28017208)

of Patlite Corporation, Published in Japan, Japan Patent Office Acceptance date: Nov. 18, 2016, Publication date: Feb. 1, 2017.

General Catalog 2018-2019, p. 121 (Japan Patent Office Design Division Publication Material No. HC30004728) of Patlite Corporation, Published in Japan, Japan Patent Office Acceptance date: May 18, 2018, Publication date: Jul. 11, 2018.

General Catalog 2018-2019, p. 124 (Japan Patent Office Design Division Publication Material No. HC30004730) of Patlite Corporation, Published in Japan, Japan Patent Office Acceptance date: May 18, 2018, Publication date: Jul. 11, 2018.

General Catalog 2018-2019, p. 128 (Japan Patent Office Design Division Publication Material No. HC30004735) of Patlite Corporation, Published in Japan, Japan Patent Office Acceptance date: May 18, 2018, Publication date: Jul. 11, 2018.

General Catalog 2018-2019, p. 145 (Japan Patent Office Design Division Publication Material No. HC30004740) of Patlite Corporation, Published in Japan, Japan Patent Office Acceptance date: May 18, 2018, Publication date: Jul. 11, 2018.

Catalogue of revolving indicating lamp of Patlite Corporation in New Products Series (The Nikkan Kogyo Shimbun 1995,12 15P9) (Japan Patent Office Design Division Publication Material No. HN08015605) Published in Japan, Japan Patent Office Acceptance date: Aug. 21, 1996.

General Catalog 2018-2019, p. 148 (Japan Patent Office Design Division Publication Material No. HC30004744) of Patlite Corporation, Published in Japan, Patent Office Acceptance Date: May 18, 2018, Publication date: Jul. 11, 2018.

Catalogue of Displaying, Signaling and Revolving Lamp, Published on Web Page of Patlight Corporation (Japan Patent Office Design Division Publication Material No. HJ20000269), Published in Japan, Japan Patent Office Acceptance date: Apr. 25, 2008, Publication date: Apr. 22, 2008.

Catalogue Patlite New Product Series (The Nikkan Kogyo Shimbun, 1995, 12, 15P9), (Jun. 30, 1996), p. 2 (Japan Patent Office Design Division Publication Material No. HN08015606) of Patlite Corporation, Revolving Indicating Lamp, Published in Japan, Japan Patent Office Acceptance date: Aug. 21, 1996, Publication date: Jun. 30, 1996.

Catalogue Patlite New Product Series (The Nikkan Kogyo Shimbun, 1995, 12, 15P9), (Jun. 30, 1996), p. 3, R5 (Japan Patent Office Design Division Publication Material No. HN08015609) of Patlite Corporation, Revolving Indicating Lamp, Published in Japan, Japan Patent Office Acceptance Date: Aug. 21, 1996.

Catalogue of Sparex LED 3 Bolt Beacon in Farmers Weekly of Reed Business Information Ltd. (Japan Patent Office Design Division Publication Material No. HB27002266), vol. 164, p. 8, Published in Great Britain, Japan Patent Office Acceptance date: Jun. 10, 2015.

Catalogue of revolving lamp Chibi Soke Shuttle of Asahi Electrical Machinery Incorporated Company in Asahisonic Light, (Japan Patent Office Design Division Publication Material No. HC02027070), p. 23, Published in Japan, Japan Patent Office Acceptance date: Jul. 27, 1989.

Catalogue of rotating light Type ASC of Asahi Electrical Machinery Incorporated Company in Asahisonic Light, (Japan Patent Office Design Division Publication Material No. HC02027074), p. 25, Published in Japan, Japan Patent Office Acceptance date: Jul. 27, 1989.

Catalogue of Revoking green light series for exclusively tractors, p. 3 (Japan Patent Office Design Division Publication Material No. HC09026570) of Patlite Corporation, Published in Japan, Japan Patent Office Acceptance date: Oct. 28, 1997.

Catalogue of Revoking light for ships. p. 2 (Japan Patent Office Design Division Publication Material No. HC09026853) of Patlite Corporation, Published in Japan, Patent Office Acceptance date: Oct. 25, 1997.

Catalogue of revolving lamp for ships Type SKH of Patlite Corporation (Japan Patent Office Design Division Publication Material No. HC09026856), p. 3, Published in Japan Japan, Patent Office Acceptance date: Oct. 25, 1997.

Catalogue of revolving lamp of Parman 68 of Noguchi Kahushiki Kaisha (Japan Patent Office Design Division Publication Material No. HC14058696), p. 14, Published in Japan, Japan Patent Office Acceptance date: Dec. 13, 2002.

(56)

**References Cited**

## OTHER PUBLICATIONS

Catalogue of revolving lamp Type VL 17M of Nikkei Manufacturing Co., Ltd. (Japan Patent Office Design Division Publication Material No. HC23006735), p. 10, Published in Japan, Japan Patent Office Acceptance date: Jun. 3, 2011, Publication date: Aug. 31, 2011.

Catalogue of indicating lamp Type NE-M1-CL7 of Patlite Corporation (Japan Patent Office Design Division Publication Material No. HC30004724), p. 116, Published in Japan, Japan Patent Office Acceptance date: May 18, 2018, Publication date: Jul. 11, 2018.

Catalogue of indicating lamp Type PES-A of Patlite Corporation (Japan Patent Office Design Division Publication Material No. HC30004725), p. 117, Published in Japan, Japan Patent Office Acceptance date: May 18, 2018, Publication date: Jul. 11, 2018.

Catalogue of indicating lamp KHE of Patlite Corporation (Japan Patent Office Design Division Publication Material No. HC30004727), p. 120, Published in Japan, Japan Patent Office Acceptance date: May 18, 2018, Publication date: Jul. 11, 2018.

General Catalog 2018-2019, p. 126 (Japan Patent Office Design Division Publication Material No. HC30004732) of Patlite Corporation, Published in Japan, Japan Patent Office Acceptance date: May 18, 2018, Publication Date: Jul. 11, 2018.

General Catalog 2018-2019, p. 127 (Japan Patent Office Design Division Publication Material No. HC30004734) of Patlite Corporation,

Published in Japan, Patent Office Acceptance date: May 18, 2018, Publication date: Jul. 11, 2018.

Catalogue of revolving lamp PHE of Patlite Corporation (Japan Patent Office Design Division Publication Material No. HC30004737), p. 134, Published in Japan, Japan Patent Office Acceptance date: May 18, 2018, Publication date: Jul. 11, 2018.

Catalogue of revolving lamp SKHE of Patlite Corporation (Japan Patent Office Design Division Publication Material No. HC30004738), p. 136, Published in Japan, Japan Patent Office Acceptance date: May 18, 2018, Publication date: Jul. 11, 2018.

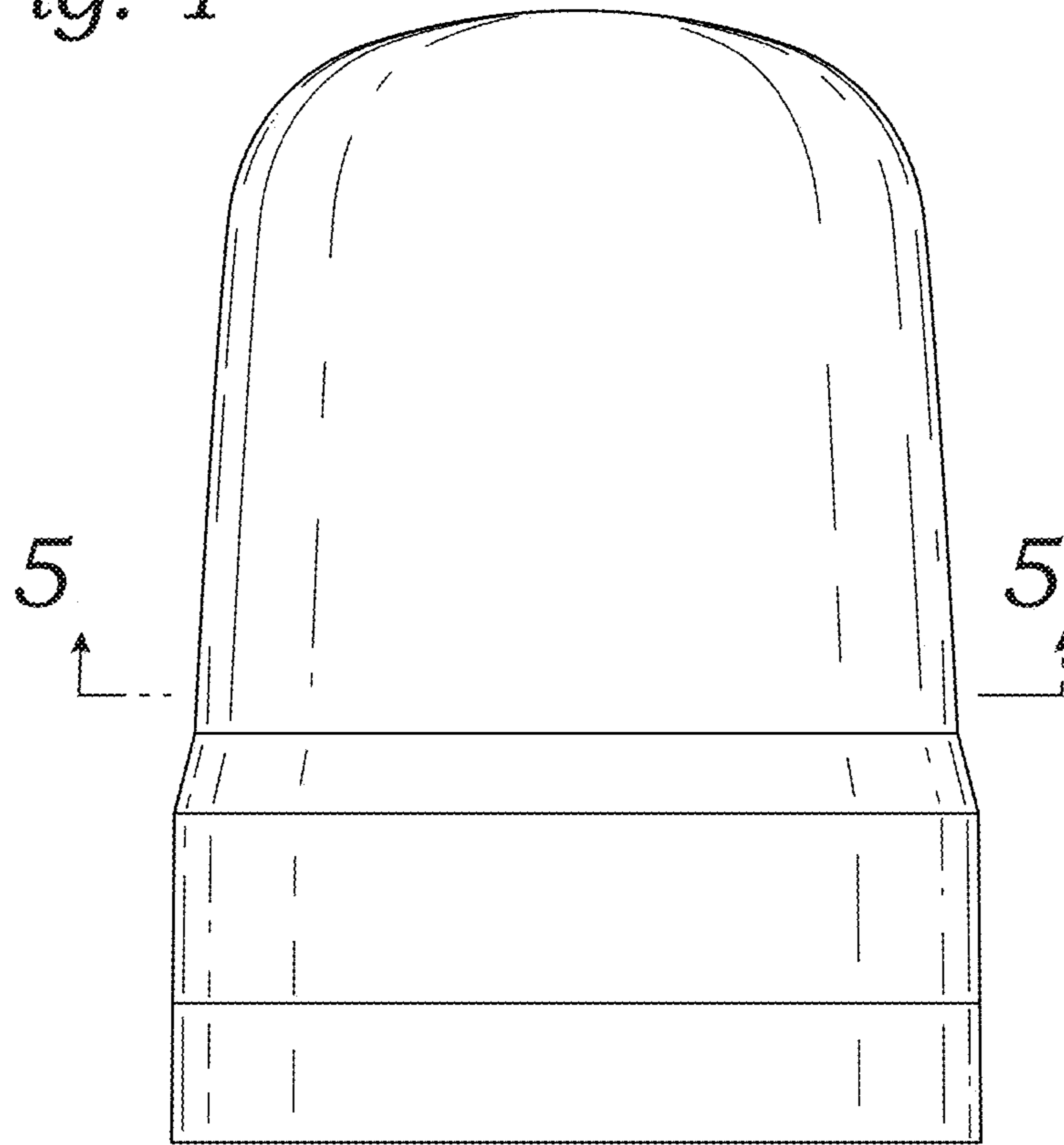
Catalogue of LDE Flash Indicating Lamp, p. 2 (Japan Patent Office Design Division Publication Material No. HC25011886) of Patlite Corporation, Published in Japan, Japan Patent Office Acceptance date: Jun. 21, 2013, Publication date: Oct. 2, 2013.

Catalogue 2017-2018, Security & Signal Equipment Engineer, p. 40 (Japan Patent Office Design Division Publication Material No. HD30001097): Warning Lamp, Senken International, Published in China, Japan Patent Office Acceptance date: Apr. 27, 2018, Publication date: Jun. 27, 2018.

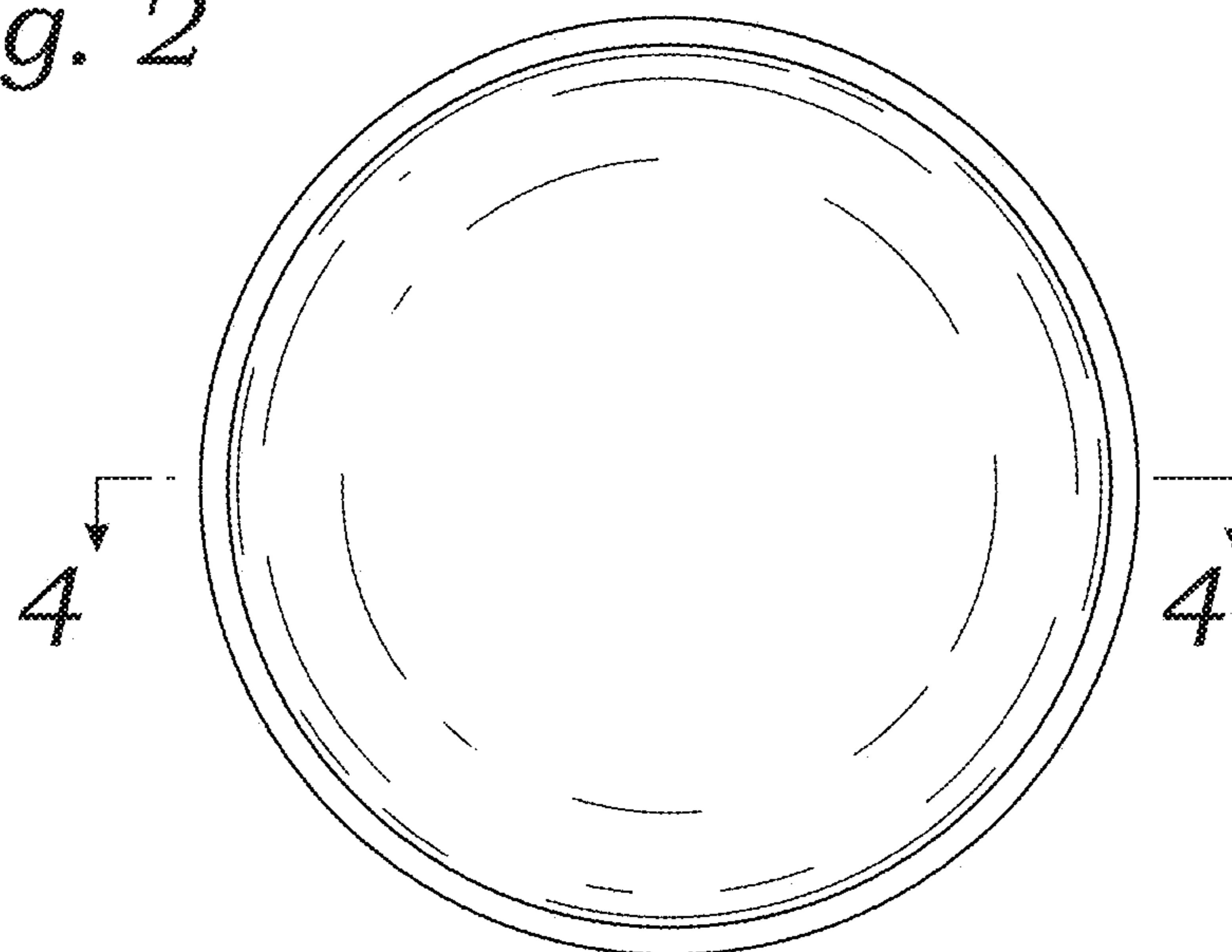
Catalogue of revolving lamp DHB-02 Patlite Phone Call! of Patlite Corporation (The Nihon Kogyo Shimbun 10, 7, 20P5) (Japan Patent Office Design Division Publication Material No. HN10020505), p. 1, Published in Japan, Japan Patent Office Acceptance date: Dec. 22, 1998.

\* cited by examiner

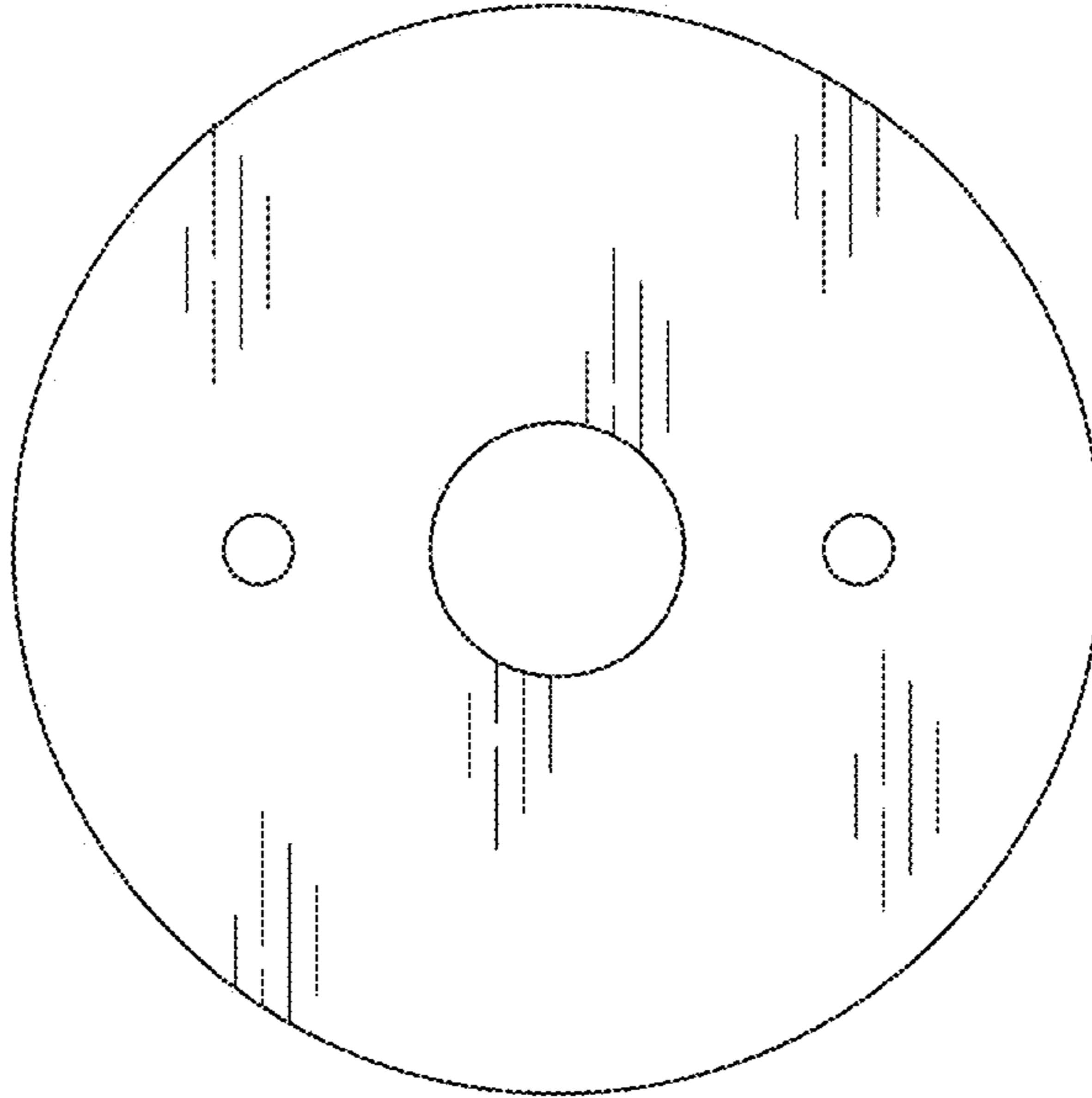
*Fig. 1*



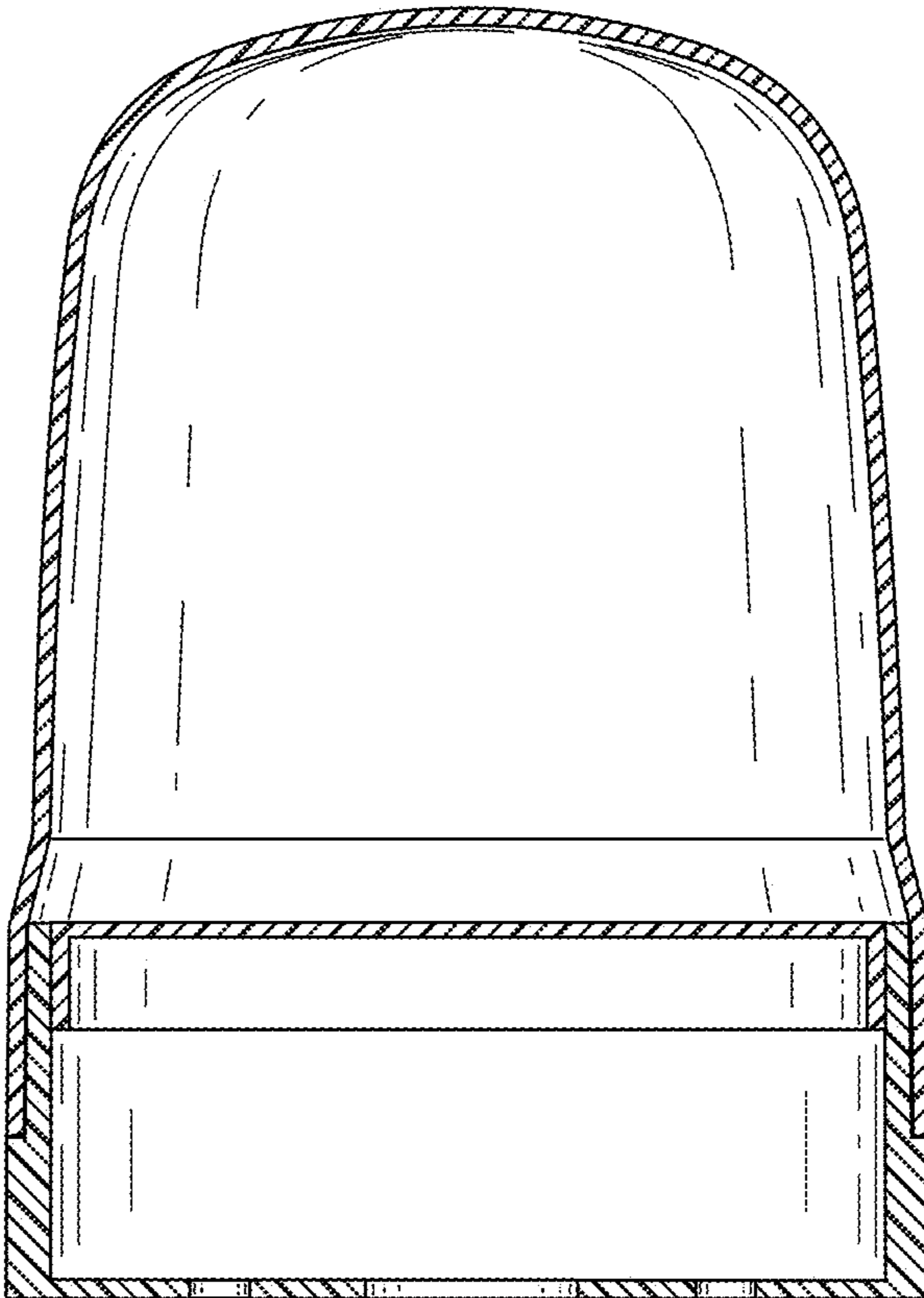
*Fig. 2*



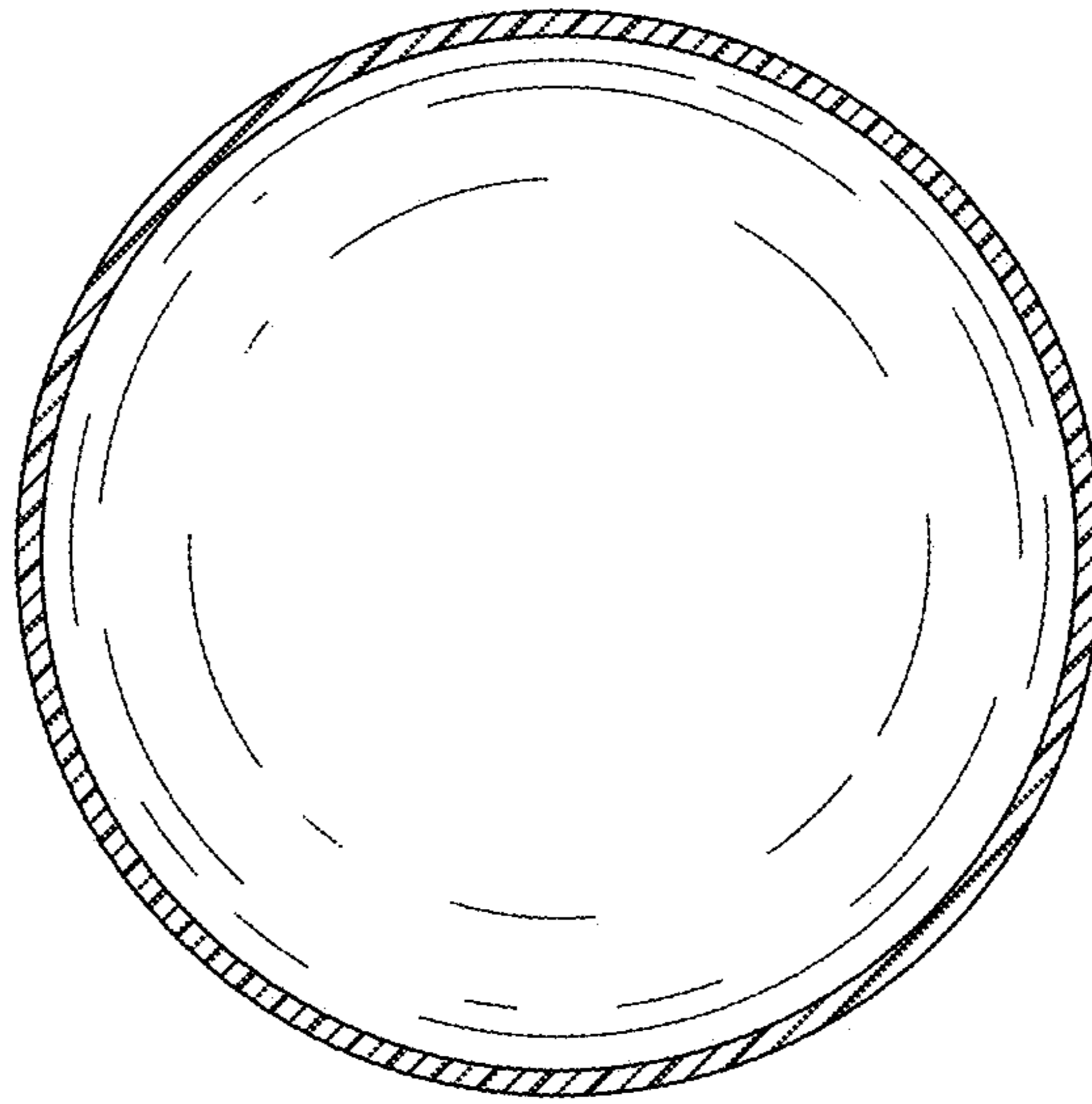
*Fig. 3*



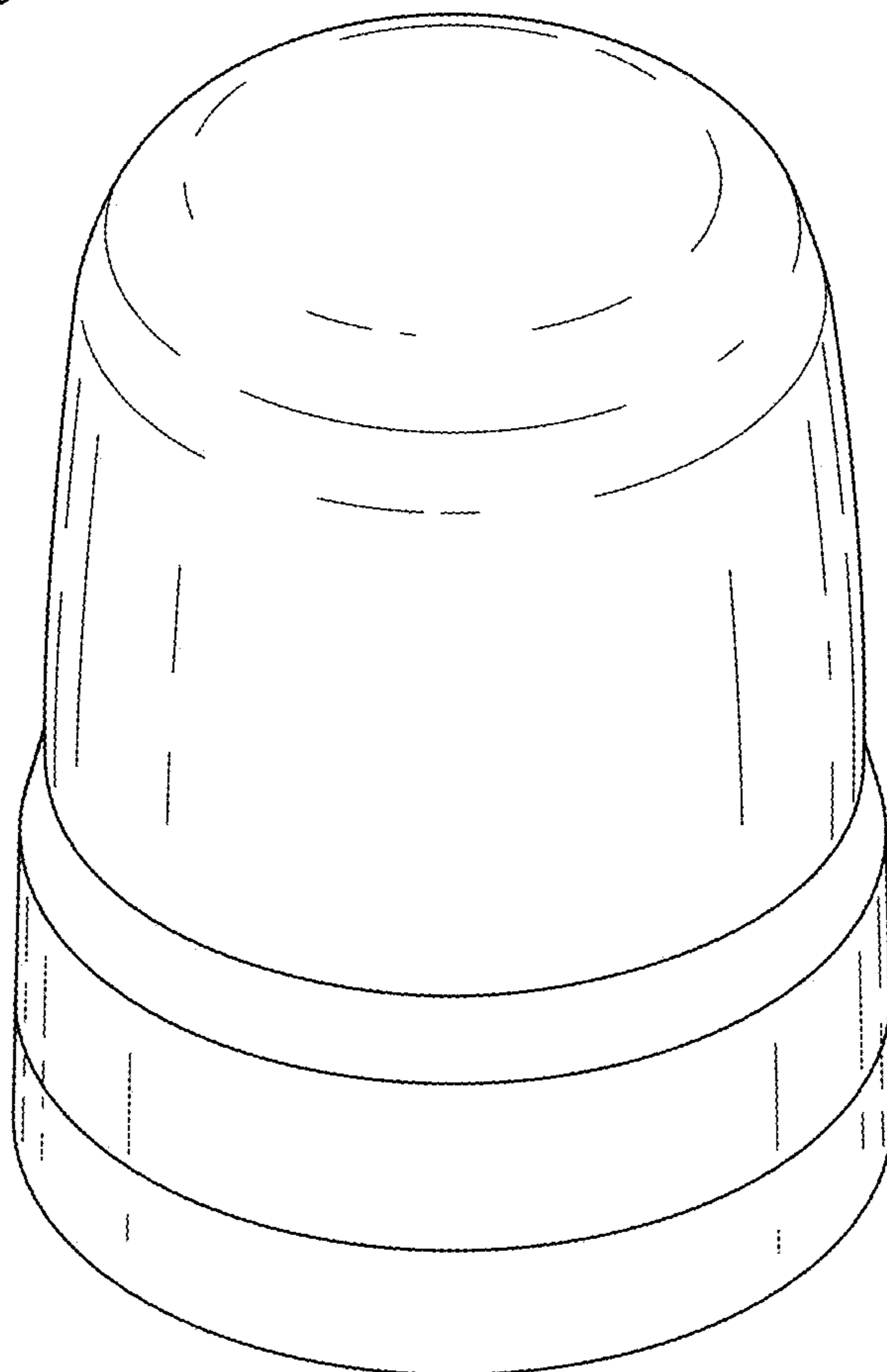
*Fig. 4*



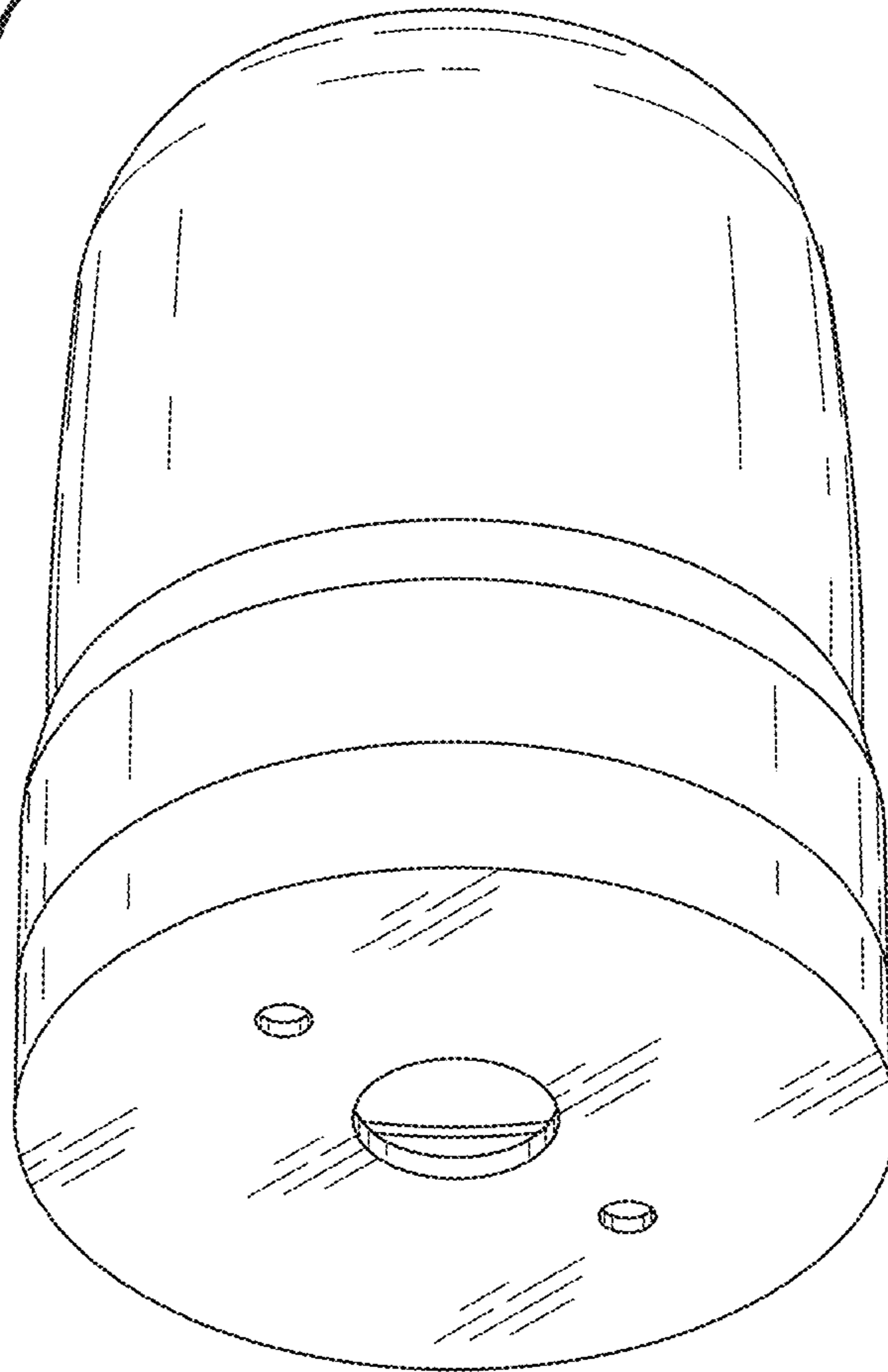
*Fig. 5*



*Fig. 6*



*Fig. 7*



*Fig. 8*

