



US00D923502S

(12) **United States Design Patent**
Lum

(10) **Patent No.:** **US D923,502 S**
(45) **Date of Patent:** **** Jun. 29, 2021**

(54) **MOTION SENSOR WITH NOTIFICATION TOOL**

(71) Applicant: **Indyme Solutions, LLC**, San Diego, CA (US)

(72) Inventor: **Chris Lum**, San Diego, CA (US)

(73) Assignee: **Indyme Solutions, LLC**, San Diego, CA (US)

(**) Term: **15 Years**

(21) Appl. No.: **29/699,166**

(22) Filed: **Jul. 23, 2019**

(51) **LOC (13) Cl.** **10-05**

(52) **U.S. Cl.**
USPC **D10/106.6**

(58) **Field of Classification Search**
USPC D10/114.5, 106.6; D16/203; D26/72,
D26/74, 81, 83, 85, 88-89
See application file for complete search history.

(56) **References Cited**

U.S. PATENT DOCUMENTS

D571,034 S *	6/2008	Goetz-Schaefer	D26/85
7,661,890 B2 *	2/2010	Basho	G03B 27/58 396/427
D639,996 S *	6/2011	Stolte	D26/89
D644,677 S *	9/2011	Park	D16/203
D647,553 S *	10/2011	Park	D16/203
D664,460 S *	7/2012	Aurongzeb	D10/106.6
D678,097 S *	3/2013	Elwell	D10/106.6
D690,345 S *	9/2013	Seo	D16/203
D740,870 S *	10/2015	Park	D16/203
D753,866 S *	4/2016	Stolte	D26/92
D758,638 S *	6/2016	Stolte	D26/92

D801,407 S *	10/2017	Kullgren	D16/203
D815,173 S *	4/2018	Hikima	D16/203
D820,336 S *	6/2018	Zhang	D16/203
D849,114 S *	5/2019	Jeong	D16/219
D859,499 S *	9/2019	Zhang	D16/219
D861,058 S *	9/2019	Christensson	D16/203
D862,562 S *	10/2019	Zhang	D16/219
D862,563 S *	10/2019	Zhang	D16/219
D862,564 S *	10/2019	Zhang	D16/219
D870,792 S *	12/2019	Lundblad	D16/203

* cited by examiner

Primary Examiner — George D. Kirschbaum

(74) *Attorney, Agent, or Firm* — Lewis Kohn & Walker LLP; David M. Kohn; Kari Moyer-Henry

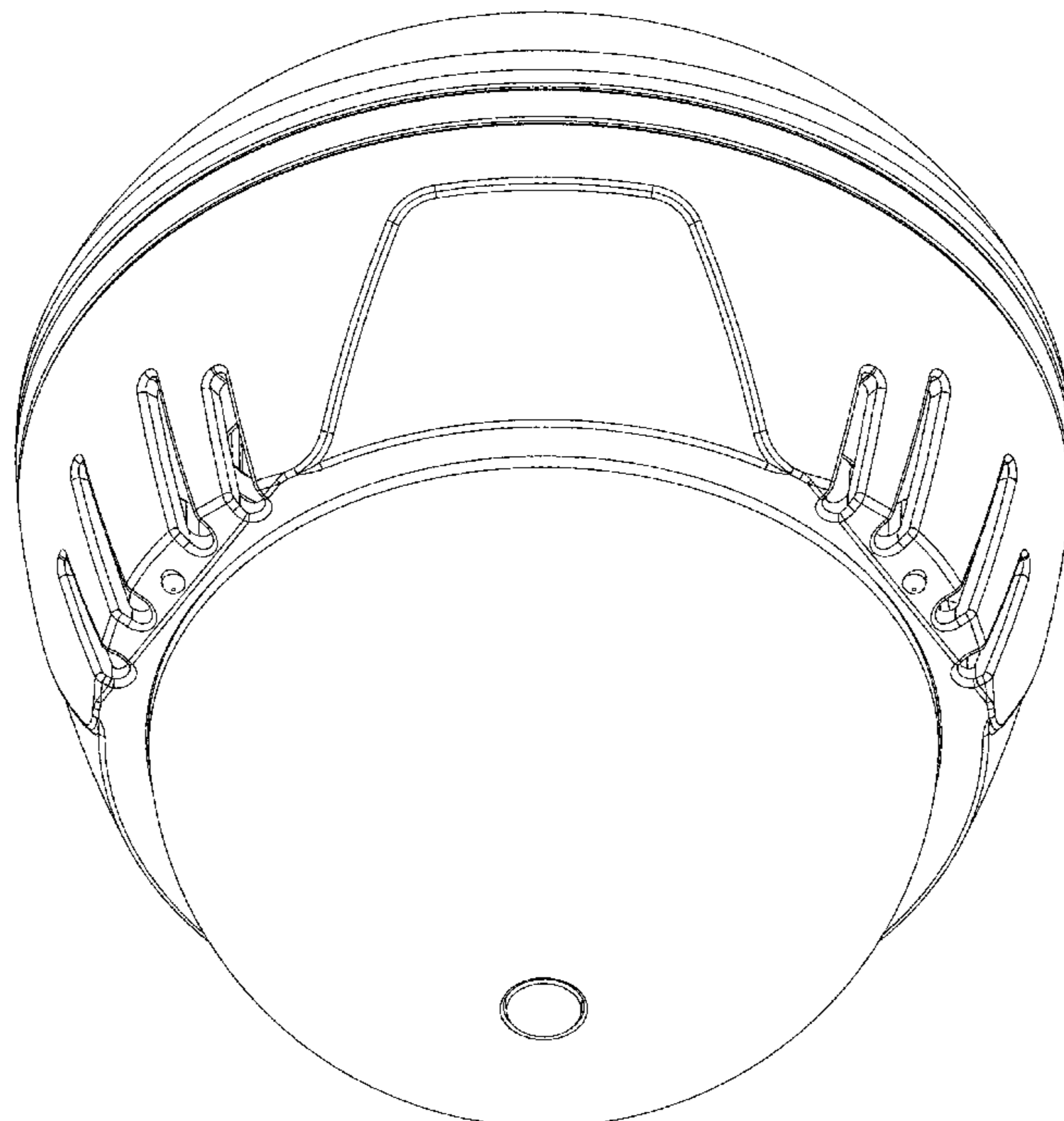
(57) **CLAIM**

The ornamental design for a motion sensor with notification tool, as shown and described.

DESCRIPTION

FIG. 1 is a perspective view of the motion sensor with notification tool of the present invention;
 FIG. 2 is a left side view of the motion sensor with notification tool shown in FIG. 1;
 FIG. 3 is a front view of the motion sensor with notification tool shown in FIG. 1;
 FIG. 4 is a right side view of the motion sensor with notification tool shown in FIG. 1;
 FIG. 5 is a back view of the motion sensor with notification tool shown in FIG. 1;
 FIG. 6 is a top view of the motion sensor with notification tool shown in FIG. 1; and,
 FIG. 7 is a bottom view of the motion sensor with notification tool shown in FIG. 1.

1 Claim, 7 Drawing Sheets



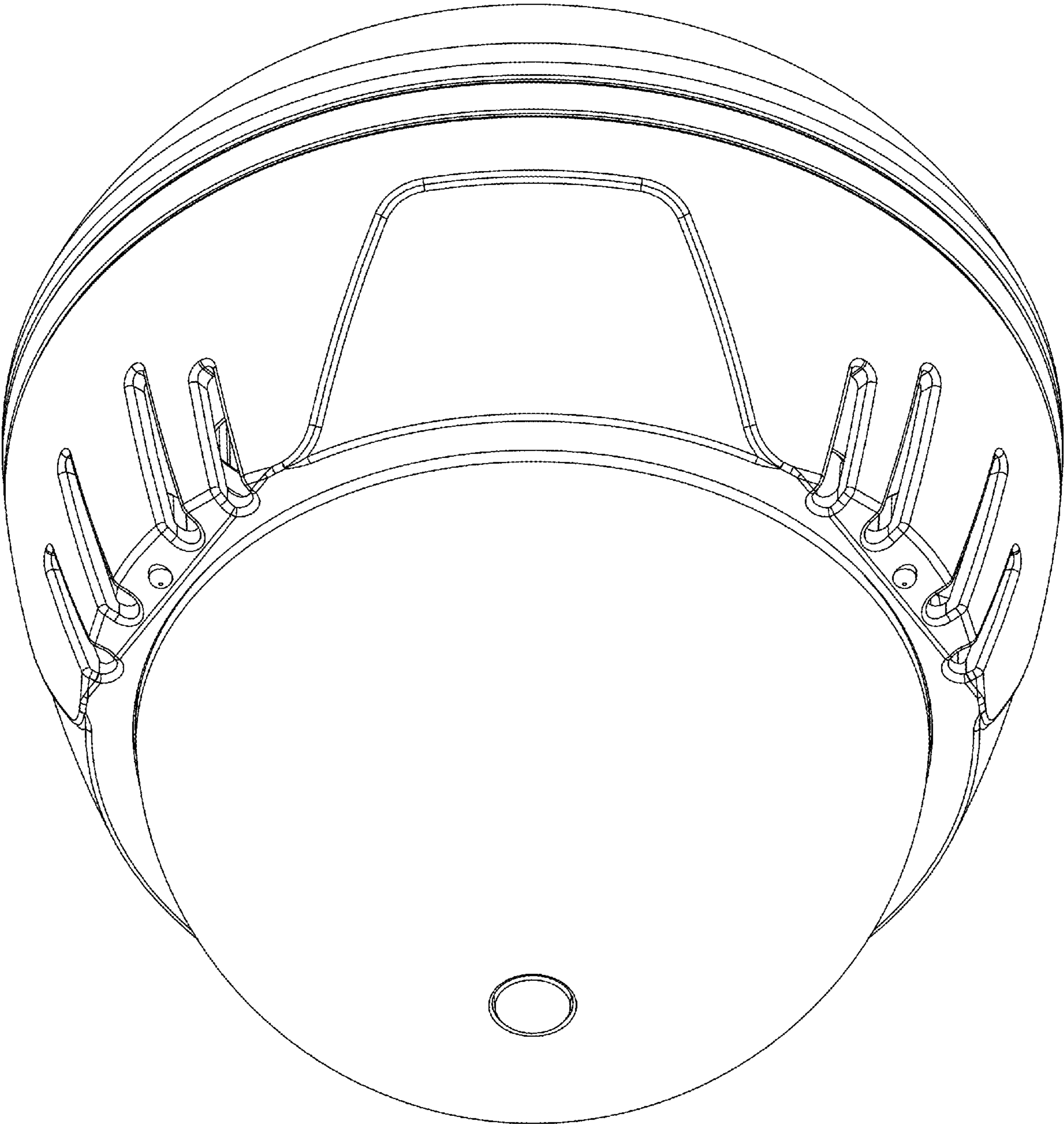


Figure 1

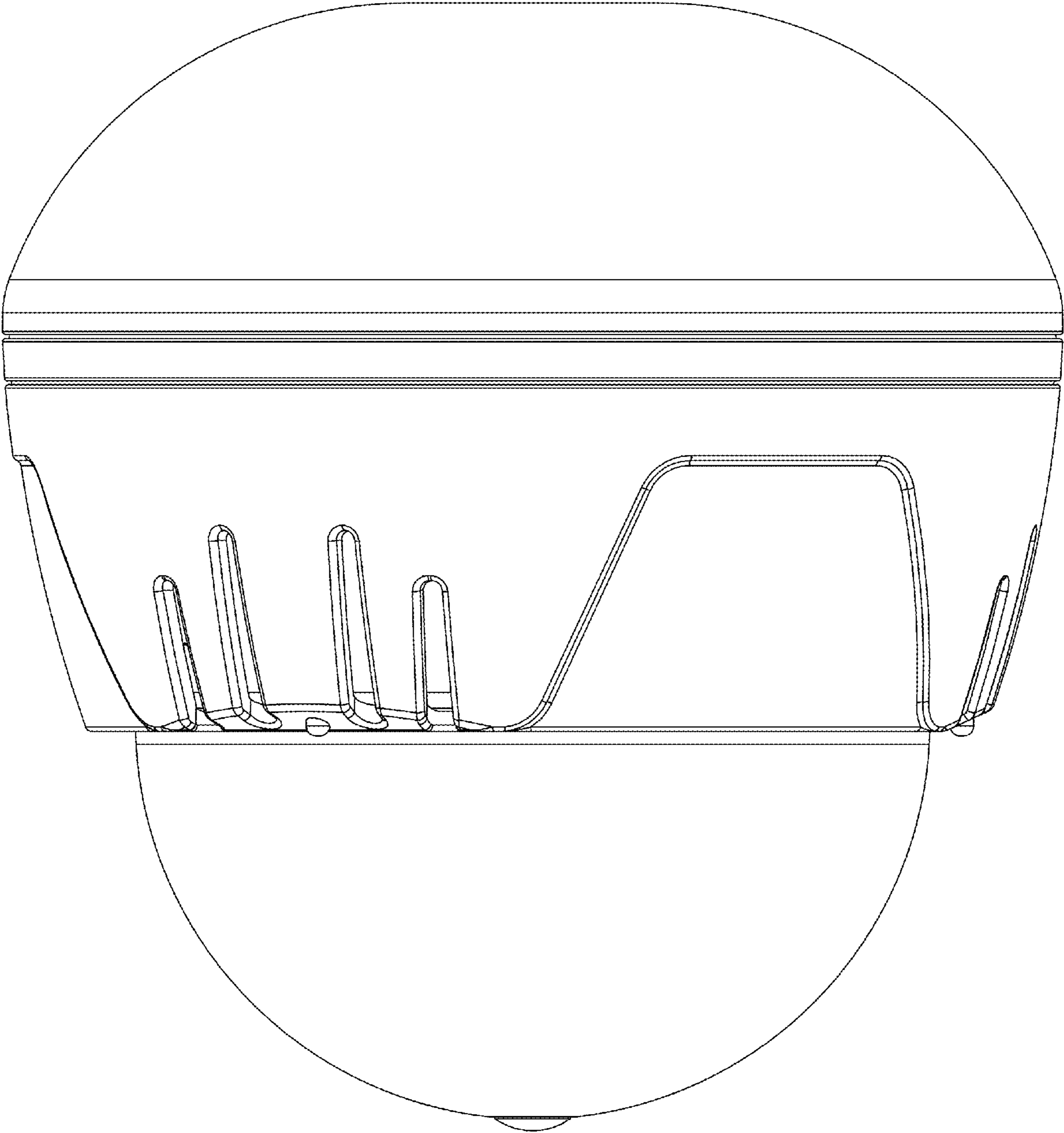


Figure 2

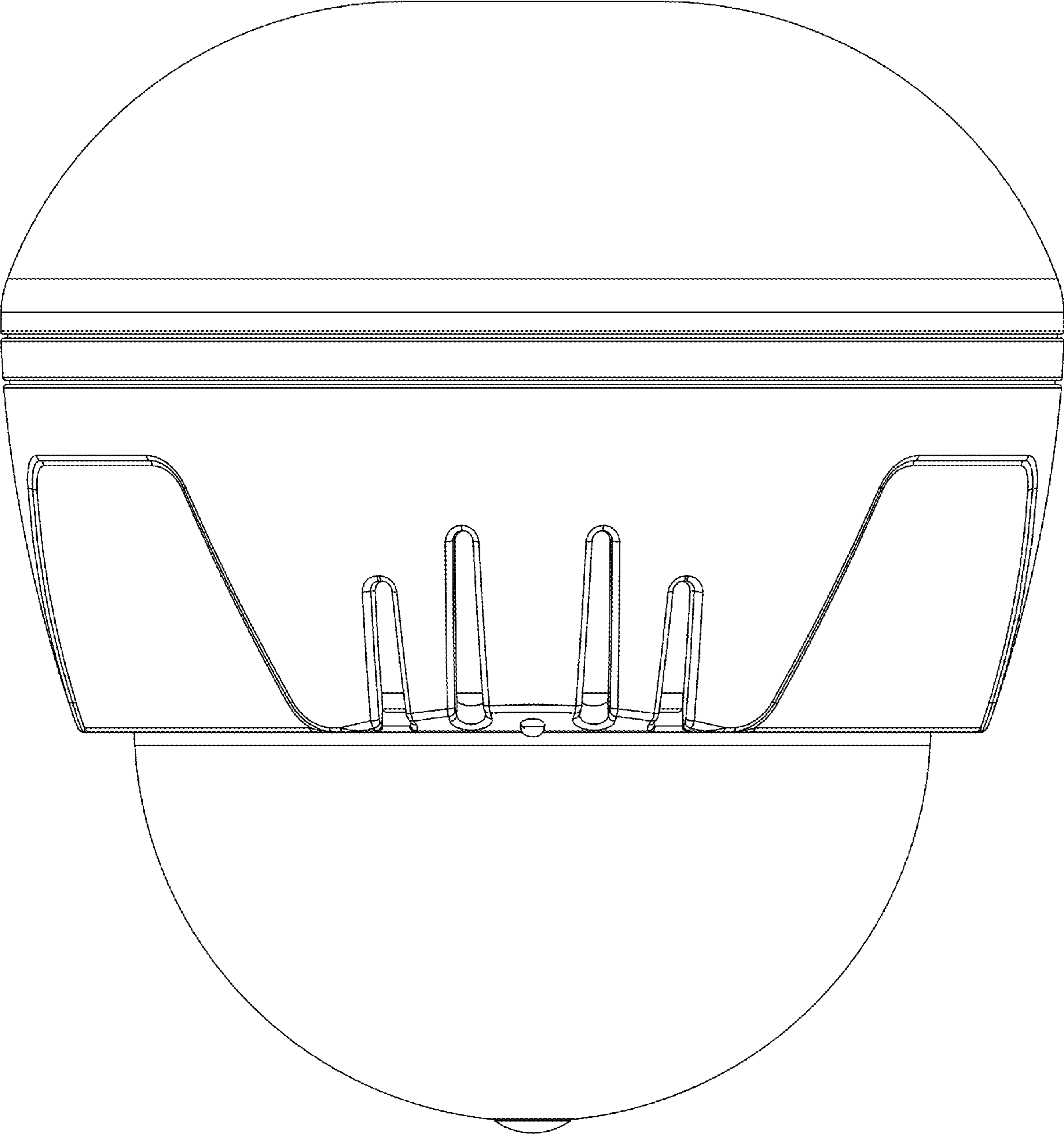


Figure 3

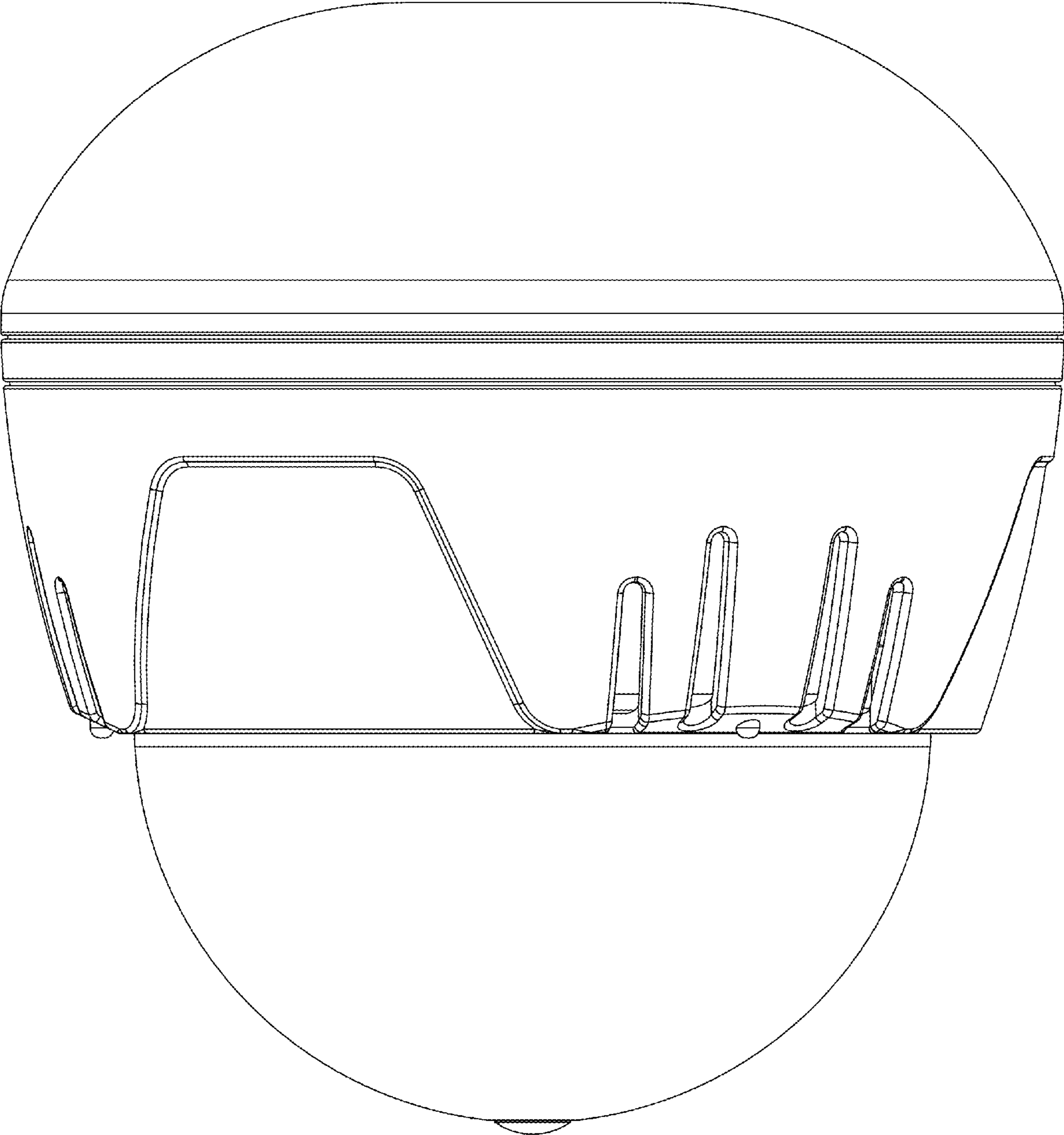


Figure 4

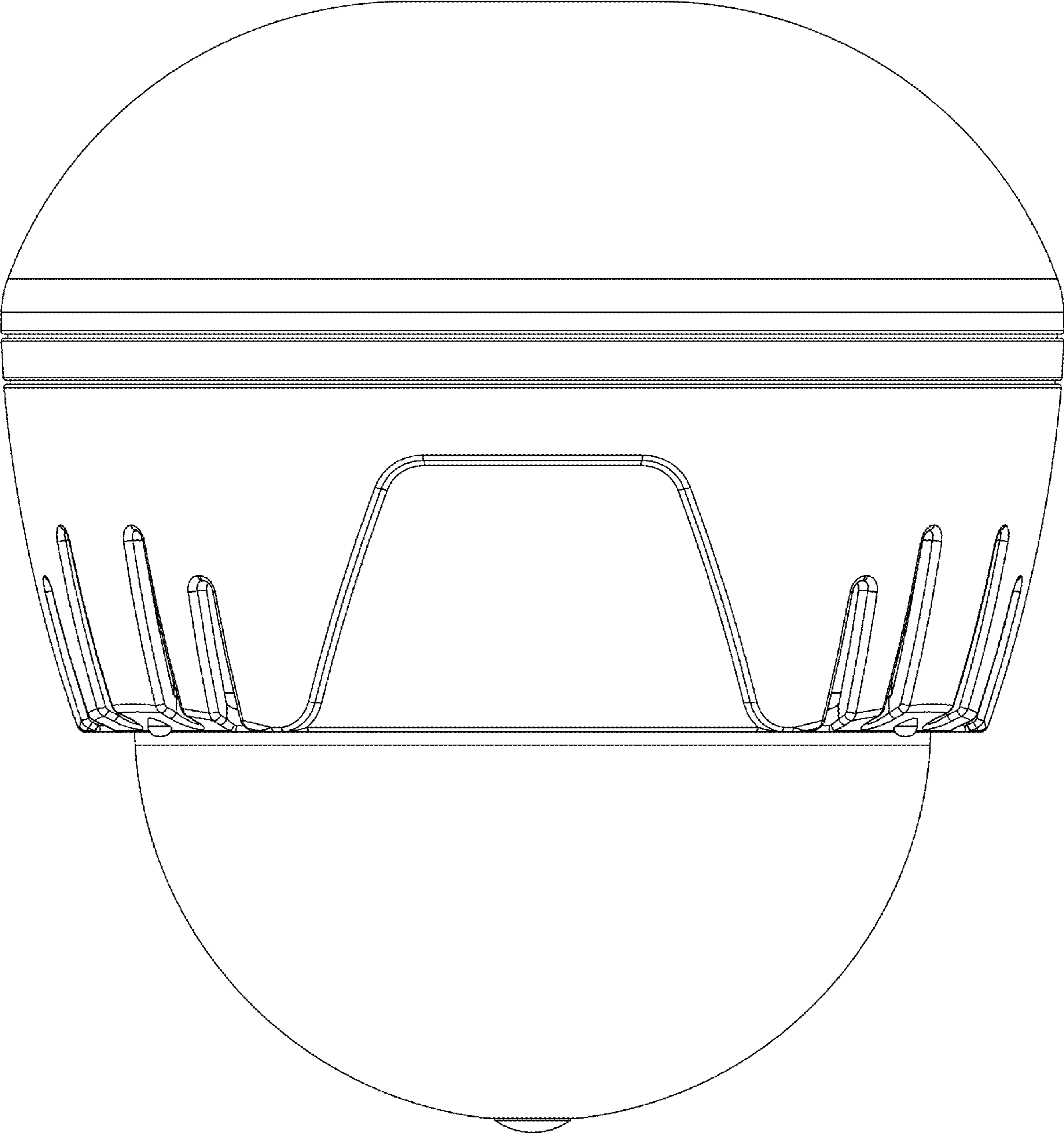


Figure 5



Figure 6

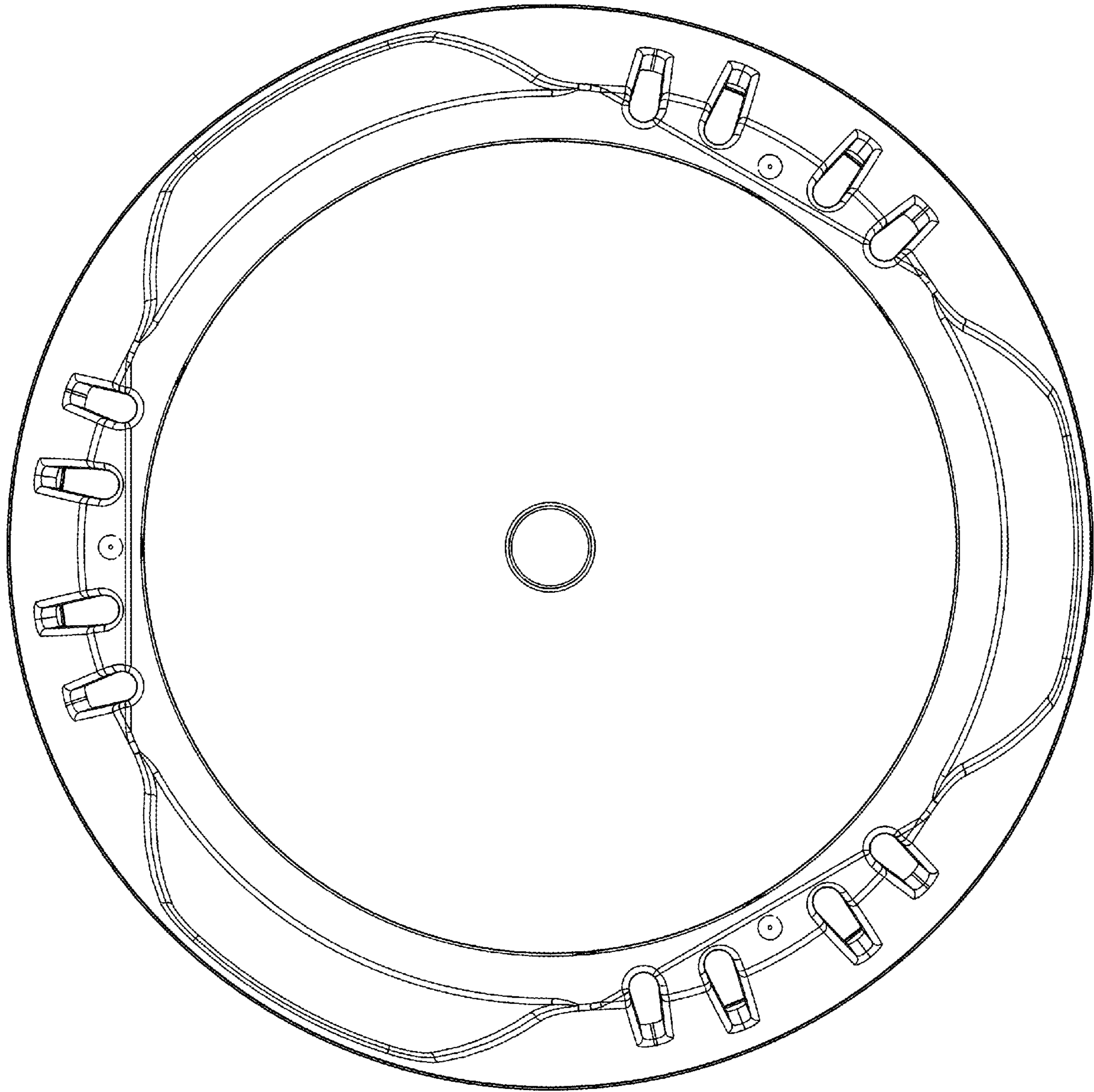


Figure 7